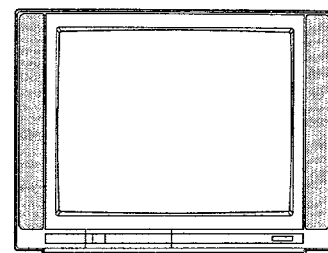


Service
Service
Service



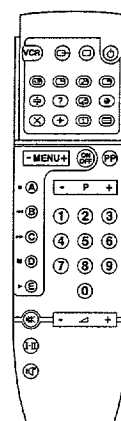
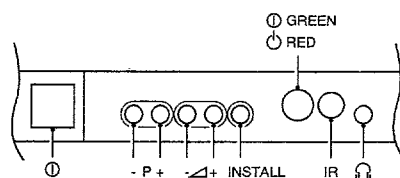
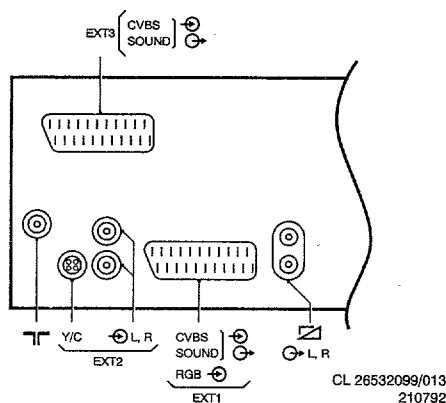
CL 26532154/013
140982

Service Manual

Safety regulations require that the set be restored to its original condition and that parts which are identical with those specified be used.

Les normes de sécurité exigent que l'appareil soit remis à l'état d'origine et que soient utilisées les pièces de rechange identiques à celles spécifiées.

Chassis GR2.2



RC6513
CL 26532053/021
290982



220-240 V ($\pm 10\%$)
140 W max.



A59EAK252X13
4822 131 20521



axbxc
525x685x460 mm



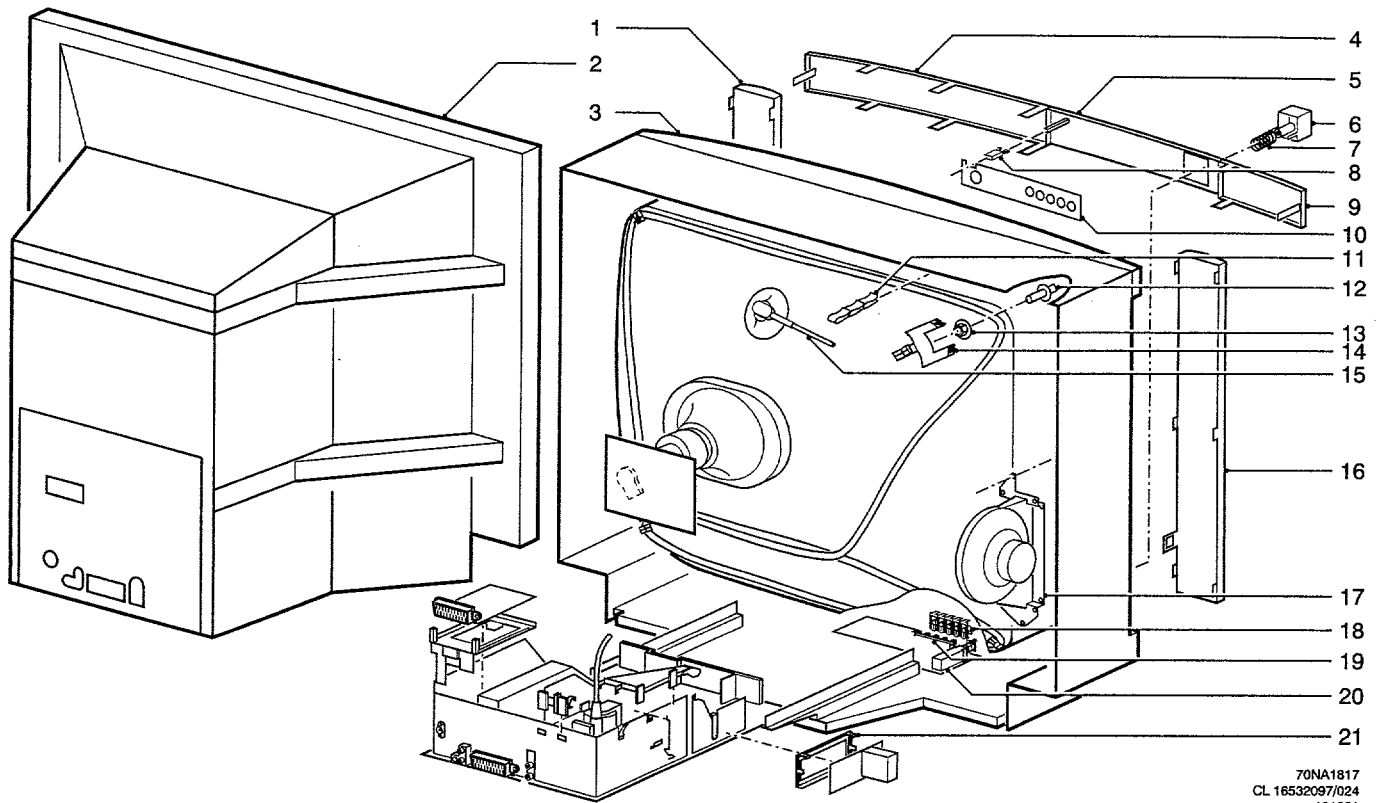
: PAL BG



UV916: 45-889 MHz



2x20 W
8 Ω



70NA1817
CL 16532097/024
121991

1	4822 458 50451	Grill right	21	4822 404 31181	Mains module bracket
2	4822 438 30248	Rear cover		4822 432 10998	Control panel with fixing lips
3	4822 430 50862	Cabinet		4822 157 63747	Degaussing coil
4	4822 432 92964	Front cover right		4822 218 21122	Remote control RC6513
5	4822 432 92946	Door		4822 432 92761	Battery cover RC6513
				4822 432 92762	Top cover RC6513
6	4822 410 62144	Mains knob			
7	4822 492 32656	Spring behind mains knob			
8	4822 417 50252	Locking mechanism			
9	4822 432 93045	Front cover left			
10	4822 460 10987	Indication strip			
11	4822 404 30709	Degaussing coil clip			
12	4822 502 12865	Picture tube spindle			
13	4822 505 10903	Picture tube nut			
14	4822 404 30869	Degaussing coil bracket			
15	4822 320 20172	EHT cable			
16	4822 458 50449	Grill left			
17	4822 240 40201	Loudspeaker assy right/left			
18	4822 410 61347	Control knob assy			
19	4822 276 50354	Switch assy for controls			
20	4822 276 12597	Mains switch			