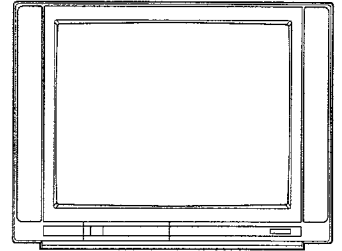


Service
Service
Service



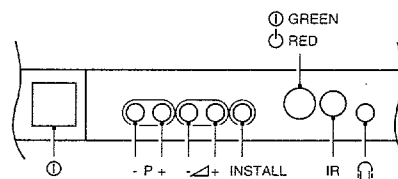
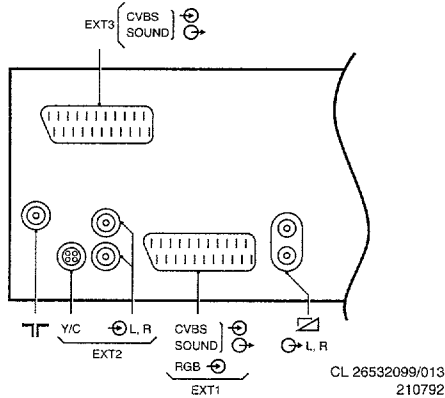
CL 26532154/013
140992

Service Manual

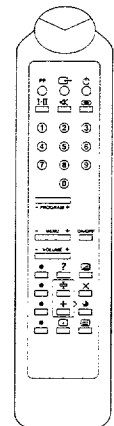
Safety regulations require that the set be restored to its original condition and that parts which are identical with those specified be used.

Les normes de sécurité exigent que l'appareil soit remis à l'état d'origine et que soient utilisées les pièces de rechange identiques à celles spécifiées.

Chassis GR2.2



70NA1817
CL 16532097/033
070192



CL 26532162/011
231092

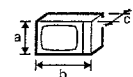
RC6925



220-240 V (± 10%)
140 W max.



A66EAK222X13
4822 131 20472
A66EAK71X03
4822 131 20481



axbxc
28": 743x555x458 mm



-/10 : PAL BG



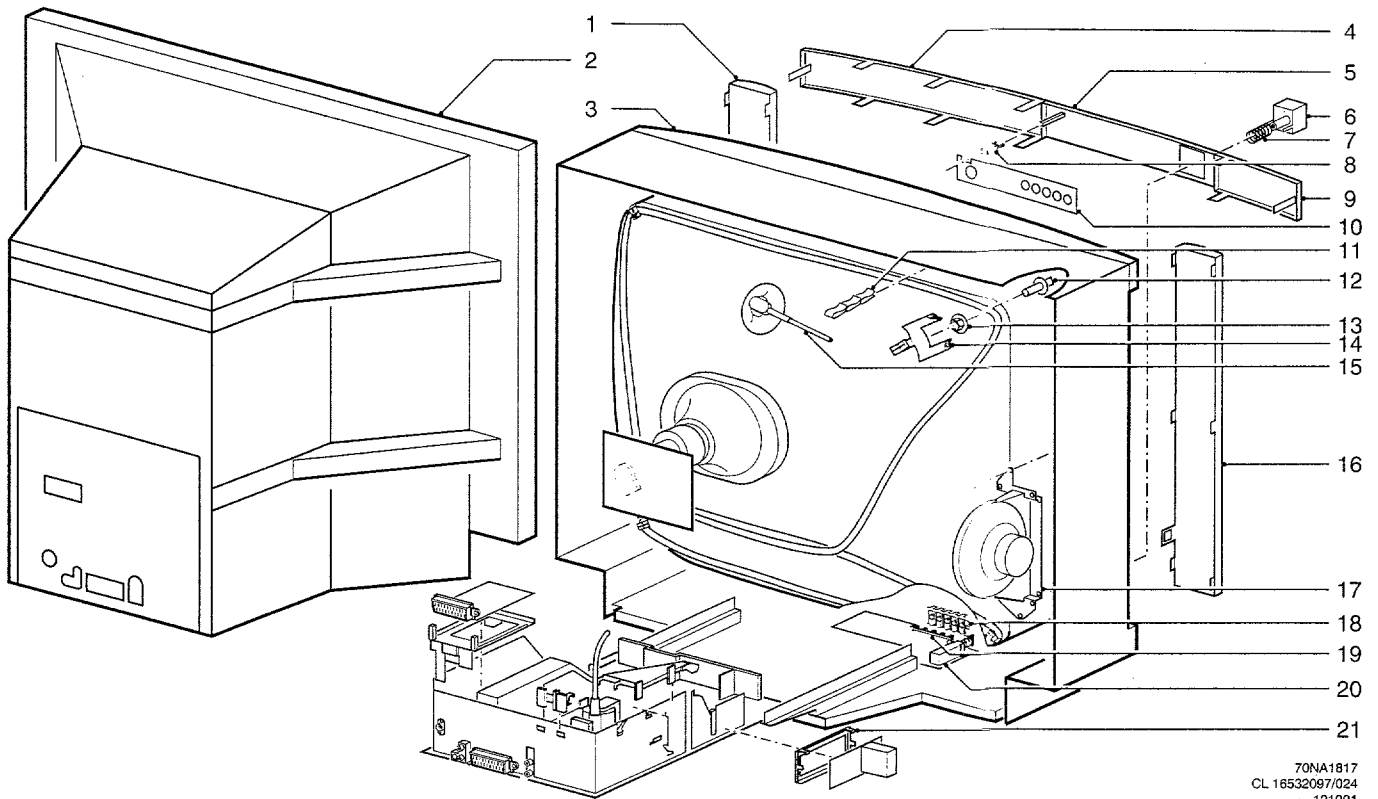
UV916: 45-889 MHz



2x20 W
8Ω



PHILIPS



70NA1817
CL 16532097/024
121991

1	4822 458 50443	Grill right	19	4822 276 50354	Switch assy for controls
2	4822 438 40225	Rear cover	20	4822 276 12597	Mains switch
3	4822 430 50849	Cabinet	21	4822 404 31181	Mains module bracket
4	4822 432 92997	Front cover right			
5	4822 432 92996	Door			
				4822 432 10988	Control panel with fixing lips
6	4822 410 62264	Mains knob		4822 157 63752	Degaussing coil
7	4822 492 32656	Spring behind mains knob		4822 218 21123	Remote control RC6925
8	4822 417 50252	Locking mechanism		4822 432 30419	Battery cover RC6925
9	4822 432 93044	Front cover left for 28ET2485			
9	4822 432 92998	Front cover left for 28ET2785			
10	4822 460 10987	Indication strip			
11	4822 404 30709	Degaussing coil clip			
12	4822 502 12865	Picture tube spindle			
13	4822 505 10903	Picture tube nut			
14	4822 404 30869	Degaussing coil bracket			
15	4822 320 20208	EHT cable for 28ET2485			
15	4822 320 20172	EHT cable for 28ET2785			
16	4822 458 50442	Grill left			
17	4822 240 40201	Loudspeaker assy right/left			
18	4822 410 61347	Control knob assy			