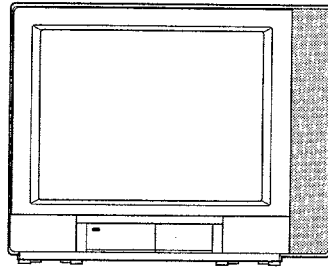


Service  
Service  
Service



CL 26532053/026  
160792

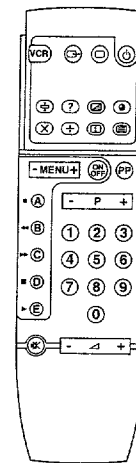
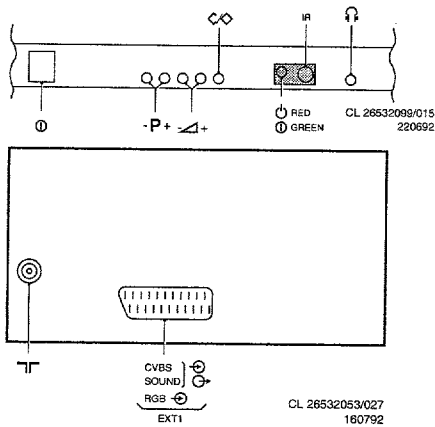
/28B/29B/30B/36B  
63CA1515/23B  
63CA1573/38B  
63CA1595/25Z  
255741CB/39R

# Service Manual

Safety regulations require that the set be restored to its original condition and that parts which are identical with those specified be used.

Les normes de sécurité exigent que l'appareil soit remis à l'état d'origine et que soient utilisées les pièces de rechange identiques à celles spécifiées.

## Chassis GR2.2

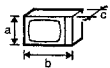


RC6511  
CL 26532053/020  
250692

RC6511



220-240 V (± 10%)  
140 W max.



axbxc  
25": 581x545x439 mm



-/38/39

: PAL BGI  
SECAM BGLL'

-/23/28/29  
-/30/36

: PAL BG

-/25

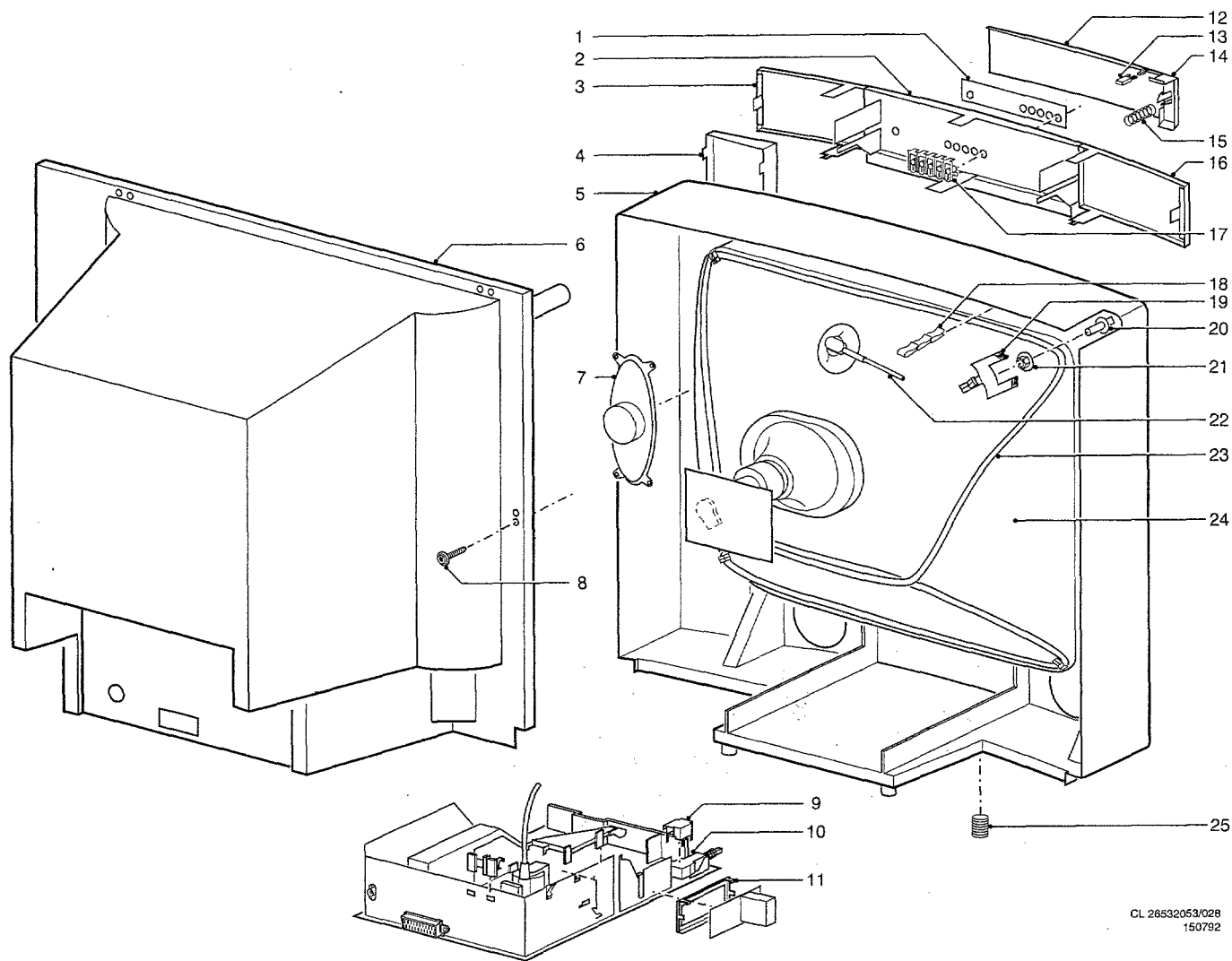
: PAL I



UV916  
UV944 for /25



1x10 W  
20Ω



CL 26532053/028  
150792

1	4822 454 12749	Indication strip	14	4822 410 62174	Mains knob for /25
2	4822 432 11004	Control panel	14	4822 410 62173	Mains knob for 255741CB
2	4822 432 11002	Control panel for /25	15	4822 492 32656	Spring behind mains knob
2	4822 432 11001	Control panel for 255741CB	16	4822 432 92974	Cover left
3	4822 432 92973	Cover right	16	4822 432 92962	Cover left for /25
3	4822 432 92961	Cover right for /25	16	4822 432 92958	Cover left for 255741CB
3	4822 432 92957	Cover right for 255741CB	17	4822 410 61347	Control knob assy
4	4822 458 50446	Grill right	18	4822 404 30709	Clamp
4	4822 458 50448	Grill right for /25	19	4822 404 30869	Degaussing coil bracket
4	4822 458 50447	Grill right for 255741CB	20	4822 502 12865	Picture tube spindle
5	4822 430 50864	Cabinet	21	4822 505 10903	Picture tube nut
5	4822 430 50861	Cabinet for /25	22	4822 320 20182	EHT cable assy
5	4822 430 50859	Cabinet for 255741CB	23	4822 157 63747	Degaussing coil
6	4822 438 40243	Rear cover	24	4822 131 20482	Picture tube A59EAK71X03
7	4822 240 20302	Loudspeaker	25	4822 532 61148	Insert fixing stand
8	4822 502 13712	Screw 12x3 mm			
9	4822 432 92785	Mains switch cover	4822 462 10498		Stand for /25
10	4822 276 12916	Mains switch	4822 218 21096		Remote control RC6511
	4822 053 21915	Res. 9M1 on mains switch	4822 432 92761		Battery cover
11	4822 404 31181	Mains module bracket	4822 432 92762		Top cover
			4822 462 30558		Right guide for chassis
12	4822 432 92975	Door			
12	4822 432 92963	Door for /25			
12	4822 432 92959	Door for 255741CB			
13	4822 417 50252	Lock			
14	4822 410 62177	Mains knob			