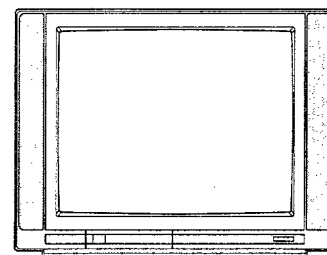


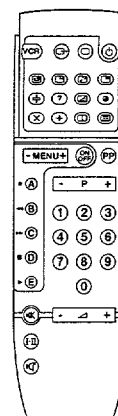
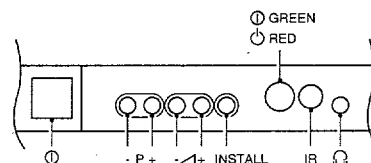
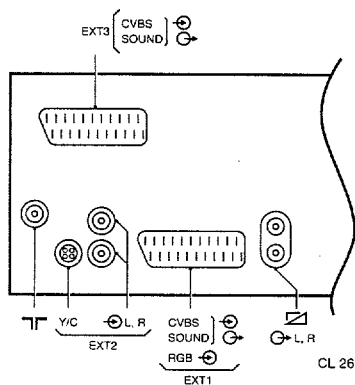
Service



CL 26532154/013  
140992

# Service Manual

Chassis GR2.2



RC6513



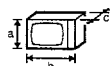
220-240 V ( $\pm 10\%$ )  
170 W max.



: PAL BGI  
SECAM BGLL'



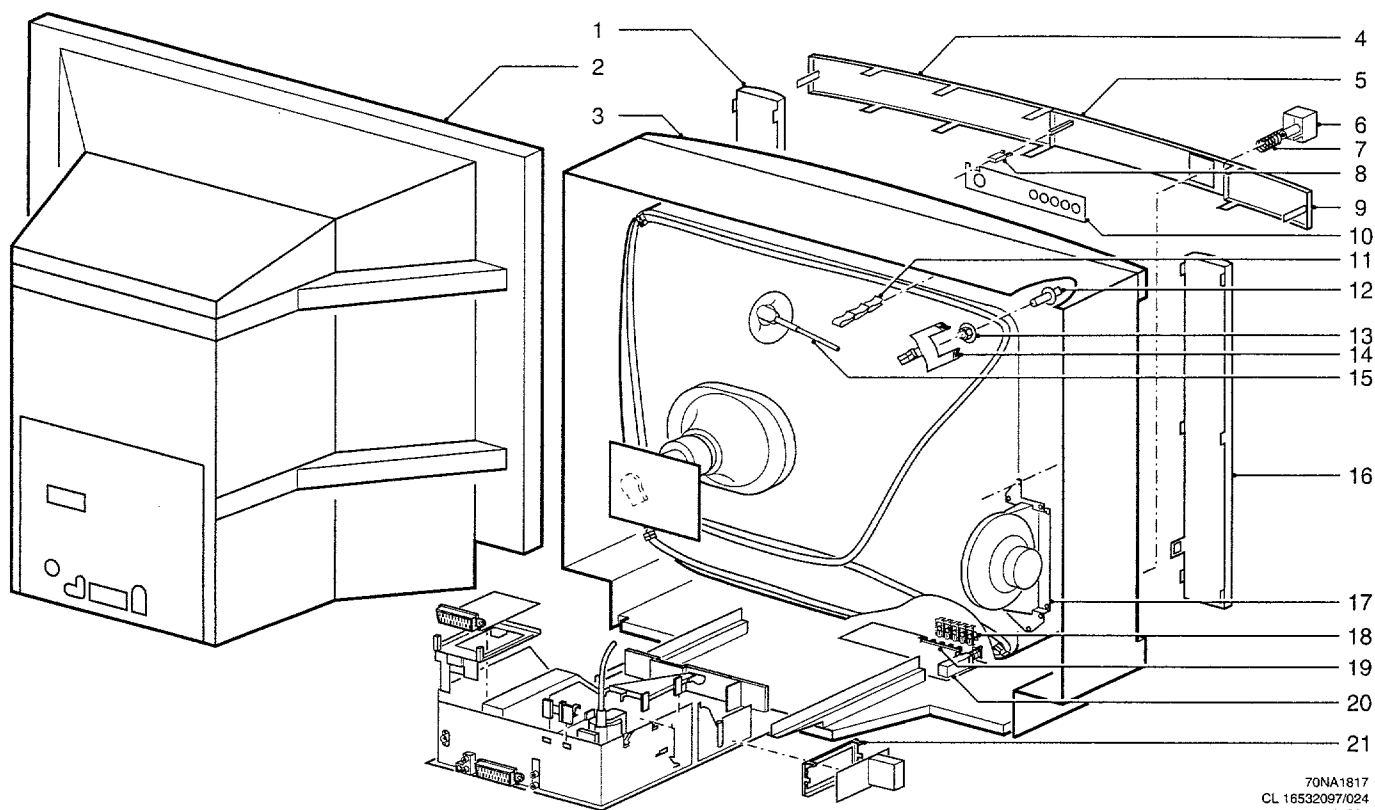
UV916: 45-889 MHz



axbxc  
743x555x458 mm



2x20W  
8 $\Omega$



70NA1817  
CL 16532097/024  
121991

1	4822 458 50407	Grill right
2	4822 438 40225	Rear cover
3	4822 430 50849	Cabinet
4	4822 432 92942	Cover right
5	4822 432 92919	Door
6	4822 410 62033	Mains knob
7	4822 492 32656	Spring behind mains knob
8	4822 417 50252	Locking mechanism
9	4822 432 92994	cover left
10	4822 460 10987	Indication strip
11	4822 404 30709	Degaussing coil clip
12	4822 502 12865	Picture tube spindle
13	4822 505 10903	Picture tube nut
14	4822 404 30869	Deg. coil bracket
15	4822 320 20172	EHT cable
16	4822 458 50408	Grill left
17	4822 240 40201	Loudspeaker assy right/left
18	4822 410 61347	Control knob assy
19	4822 276 50354	Switch assy for controls
20	4822 276 12597	Mains switch
21	4822 404 31181	Mains module bracket
	4822 131 20472	picture tube A66EAK222X13
	4822 502 13712	Screw 12x3 mm
	4822 256 91886	Holder for CRT
	4822 218 21122	Remote control RC6513
	4822 432 92761	Battery cover RC65..
	4822 432 92762	Top cover RC65..
	4822 462 30542	PCB Guide for control unit
	4822 462 30543	PCB Guide right mono carrier
	4822 462 30544	PCB Guide left mono carrier