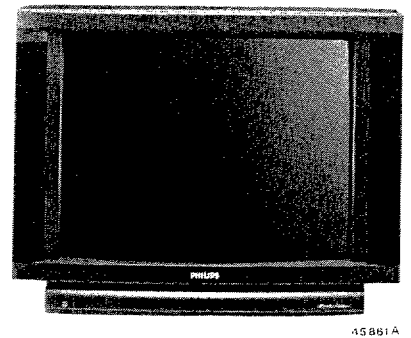


Service
Service
Service

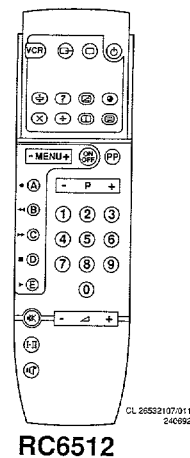
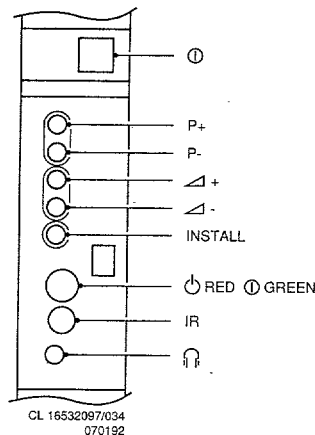
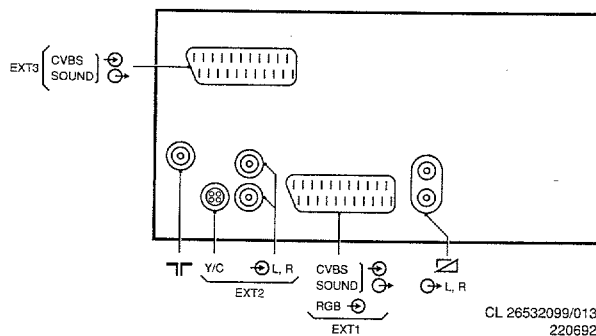


Service Manual

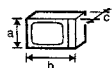
Safety regulations require that the set be restored to its original condition and that parts which are identical with those specified be used.

Les normes de sécurité exigent que l'appareil soit remis à l'état d'origine et que soient utilisées les pièces de rechange identiques à celles spécifiées.

Chassis GR2.1



220-240 V ($\pm 10\%$)
140 W max.



axbxc
28": 743x555x458 mm

-/22



: PAL BG

-/30

: PAL BGI
SECAM BGLL'



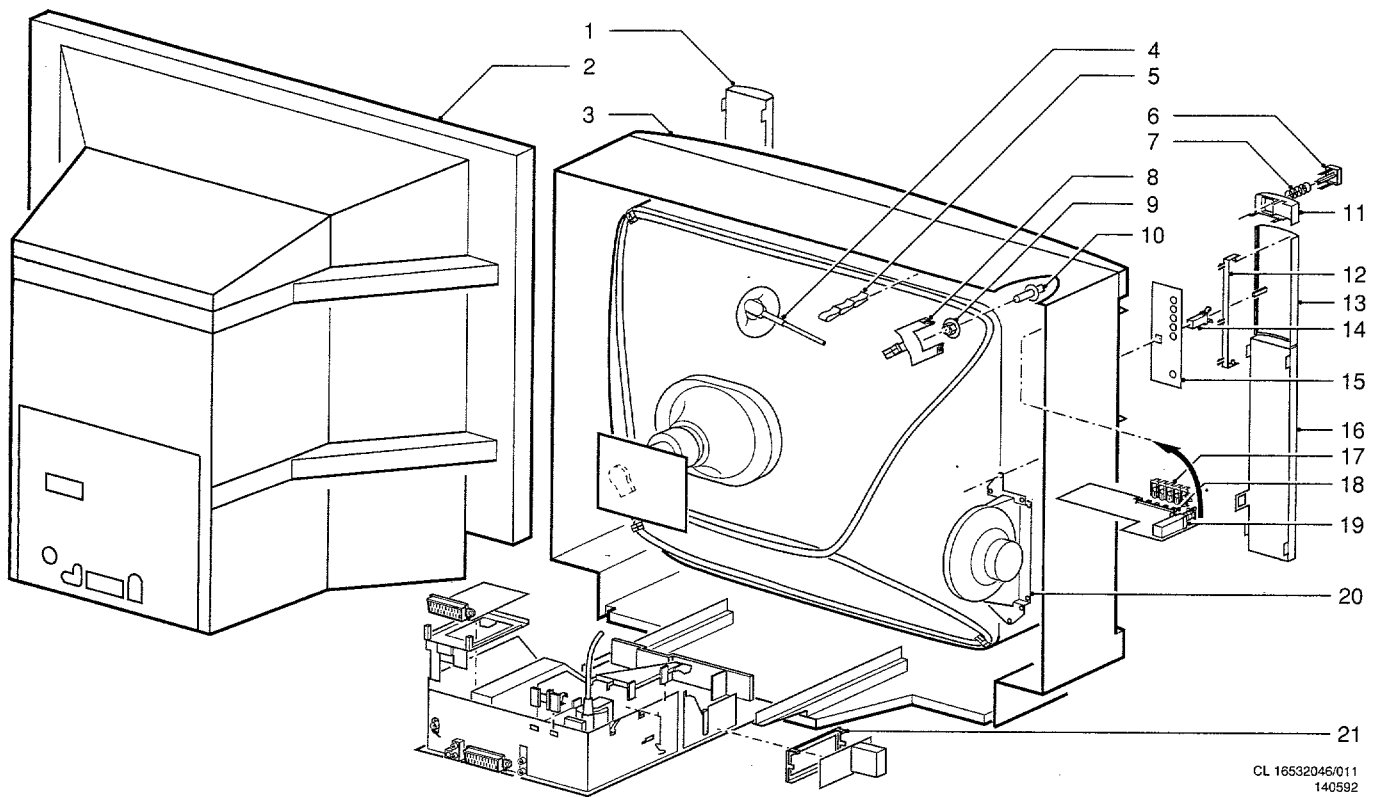
UV916: 45-889 MHz



2x20 W
8 Ω



PHILIPS



CL 18532046/011
140592

1	4822 458 50431	grill right	4822 157 63752	Degaussing coil
2	4822 438 40225	Rear cover	4822 131 20317	Picture tube A66EAK22X13
3	4822 430 50831	Cabinet	4822 502 13712	Screw 12x3 mm
4	4822 320 20172	EHT cable	4822 256 91766	Holder for CRT
5	4822 404 30709	Degaussing coil clip	4822 218 21079	Remote control RC6512
6	4822 410 61835	Mains knob	4822 432 92761	Battery cover RC6512
7	4822 492 32656	Spring behind mains knob	4822 432 92762	Top cover RC6512
8	4822 404 30869	Degaussing coil bracket	4822 462 30542	PCB Guide for control unit
9	4822 505 10903	Picture tube nut	4822 462 30543	PCB Guide right mono carrier
10	4822 502 12865	Picture tube spindle	4822 462 30544	PCB Guide left mono carrier
11	4822 432 92893	Cover for mains knob		
12	4822 417 11164	Hinge		
13	4822 432 92892	Door		
14	4822 417 50252	Locking mechanism		
15	4822 460 10988	Indication strip		
16	4822 458 50412	Grill left		
17	4822 410 61347	Control knob assy		
18	4822 276 50354	Switch assy for controls		
19	4822 276 12597	Mains switch		
20	4822 240 40201	Loudspeaker assy right/left		
21	4822 404 31181	Mains module bracket		