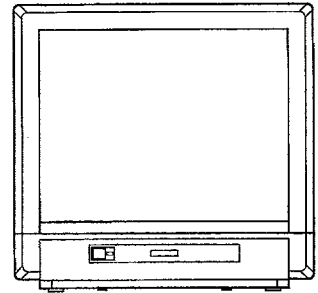


Service  
Service  
Service



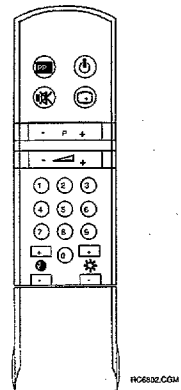
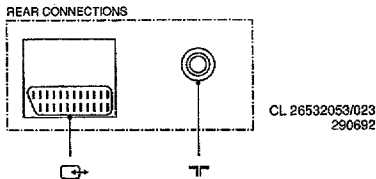
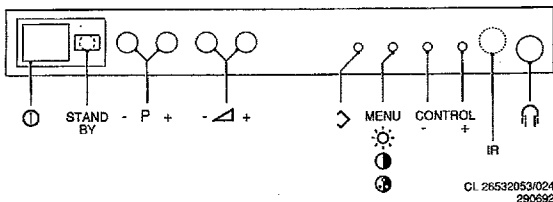
CL 26532053/022  
290692

# Service Manual

Safety regulations require that the set be restored to its original condition and that parts which are identical with those specified be used.

Les normes de sécurité exigent que l'appareil soit remis à l'état d'origine et que soient utilisées les pièces de rechange identiques à celles spécifiées.

## CHASSIS ANUBIS A



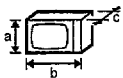
RC6802



220-240 V (± 10%)  
52 W



A51EAM31X45  
4822 131 20324



axbxc  
508x475x470 mm



1x1W



-/00	: PAL BG
-/01	: PAL BGI SECAM LL'
-/05	: PAL I
-/42	: PAL BG SECAM DK



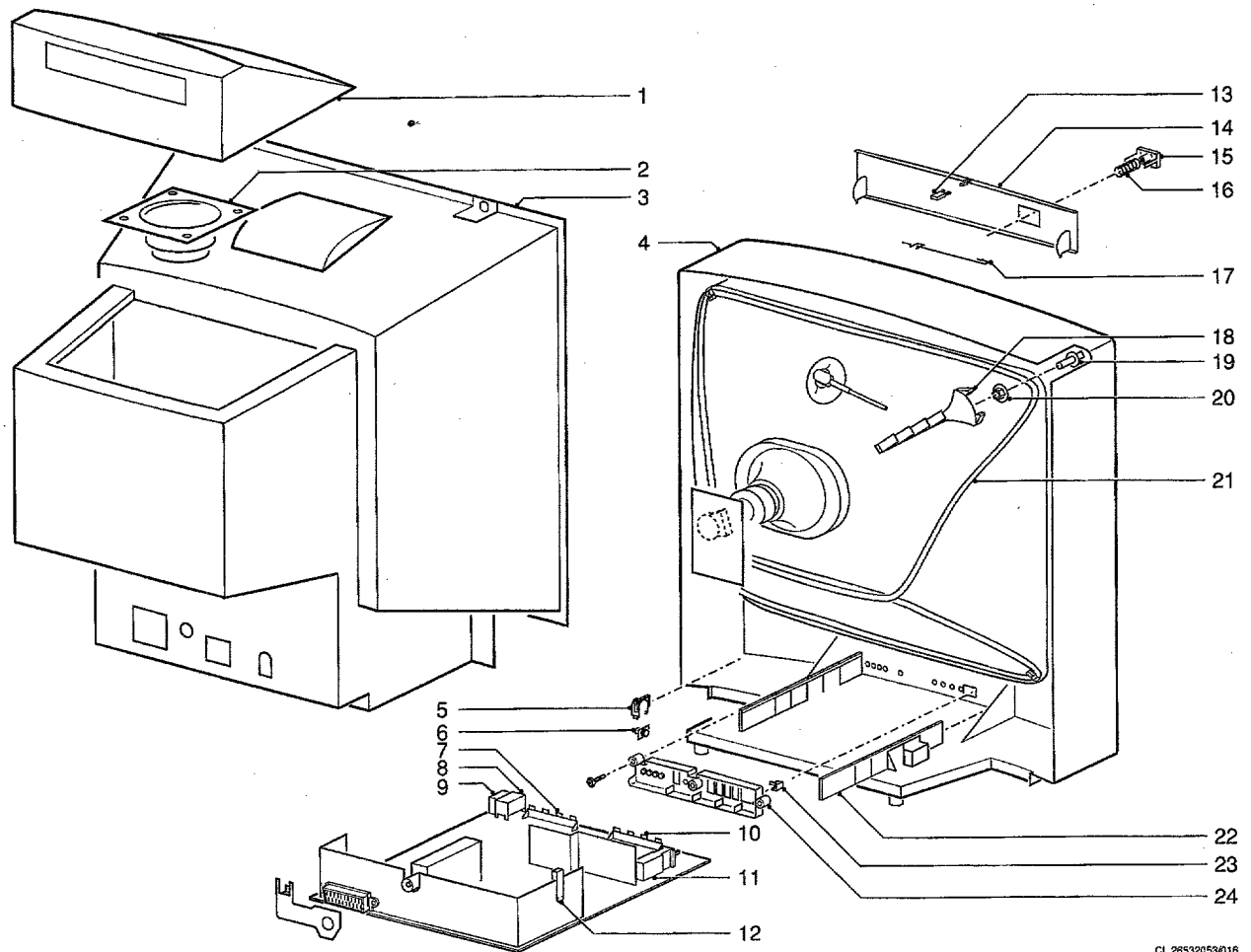
**UV917E**  
Only for -/00/42  
VHFa : 46-118 MHz  
VHFb : 118-300 MHz  
UHF : 470-861 MHz

**U943C**  
Only for -/05  
UHF : 470-861 MHz

**UV915E**  
Only for -/01  
VHFa : 46-118 MHz  
VHFb : 118-300 MHz  
Hyper : 300-470 MHz  
UHF : 470-861 MHz



# PHILIPS



CL 28532053/016  
240892

- |    |                |                       |
|----|----------------|-----------------------|
| 1  | 4822 445 10325 | Loudspeaker box 21"   |
| 2  | 4822 240 50328 | Loudspeaker           |
| 3  | 4822 438 10388 | Rear cover 21"        |
| 4  | 4822 430 10398 | Cabinet 21"           |
| 5  | 4822 404 31237 | Holder for damper     |
| 6  | 4822 522 31741 | Damper                |
| 7  | 4822 276 40414 | Switch assy right     |
| 8  | 4822 218 20981 | RC5 Receiver          |
| 9  | 4822 267 31292 | Headphone jack        |
| 10 | 4822 277 21438 | Switch assy left      |
| 11 | 4822 276 12597 | Mains switch          |
| 12 | 4822 492 70559 | Spring for transistor |
| 13 | 4822 278 10088 | Lock mechanism        |
| 14 | 4822 432 92979 | Door 21"              |
| 15 | 4822 410 62199 | Mains button          |
| 16 | 4822 492 32656 | Spring                |
| 17 | 4822 492 42628 | Spring for door       |
| 18 | 4822 404 30753 | Bracket               |
| 19 | 4822 503 21006 | Spindle               |
| 20 | 4822 505 10924 | Nut                   |
| 21 | 4822 157 52155 | Degaussing coil 21"   |
| 22 | 4822 462 30557 | Guide                 |
| 23 | 4822 381 11362 | LED lens              |
| 24 | 4822 410 62202 | Button frame          |
|    | 4822 218 21038 | Remote control RC6802 |
|    | 4822 303 40057 | Aerial                |