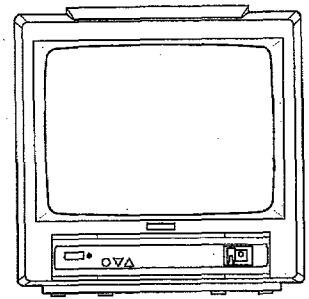


Service
Service
Service

142133PP/39B



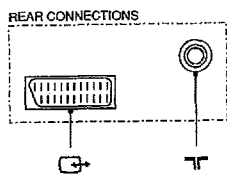
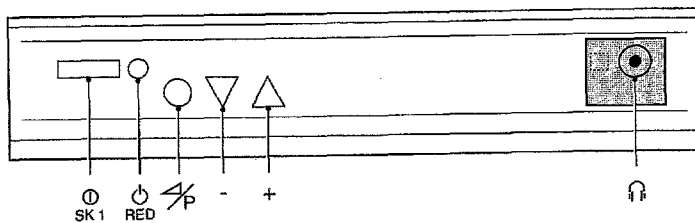
CL 26532103/011
220692

Service Manual

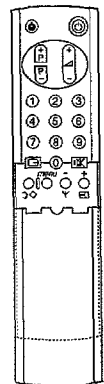
Safety regulations require that the set be restored to its original condition and that parts which are identical with those specified be used.

Les normes de sécurité exigent que l'appareil soit remis à l'état d'origine et que soient utilisées les pièces de rechange identiques à celles spécifiées.

CHASSIS ANUBIS A



CL 26532006/012
060292



RC 9076
CL 26532106/012
22-09-92

RC9076



220-240 V (± 10%)
48 W



A34JFQ40X04
4822 131 20399



axbxc
358x354x363 mm



1x1W



-/08/22

: PAL B/G

-/38/39

: PAL B/G/I
SECAM B/G/L/L'

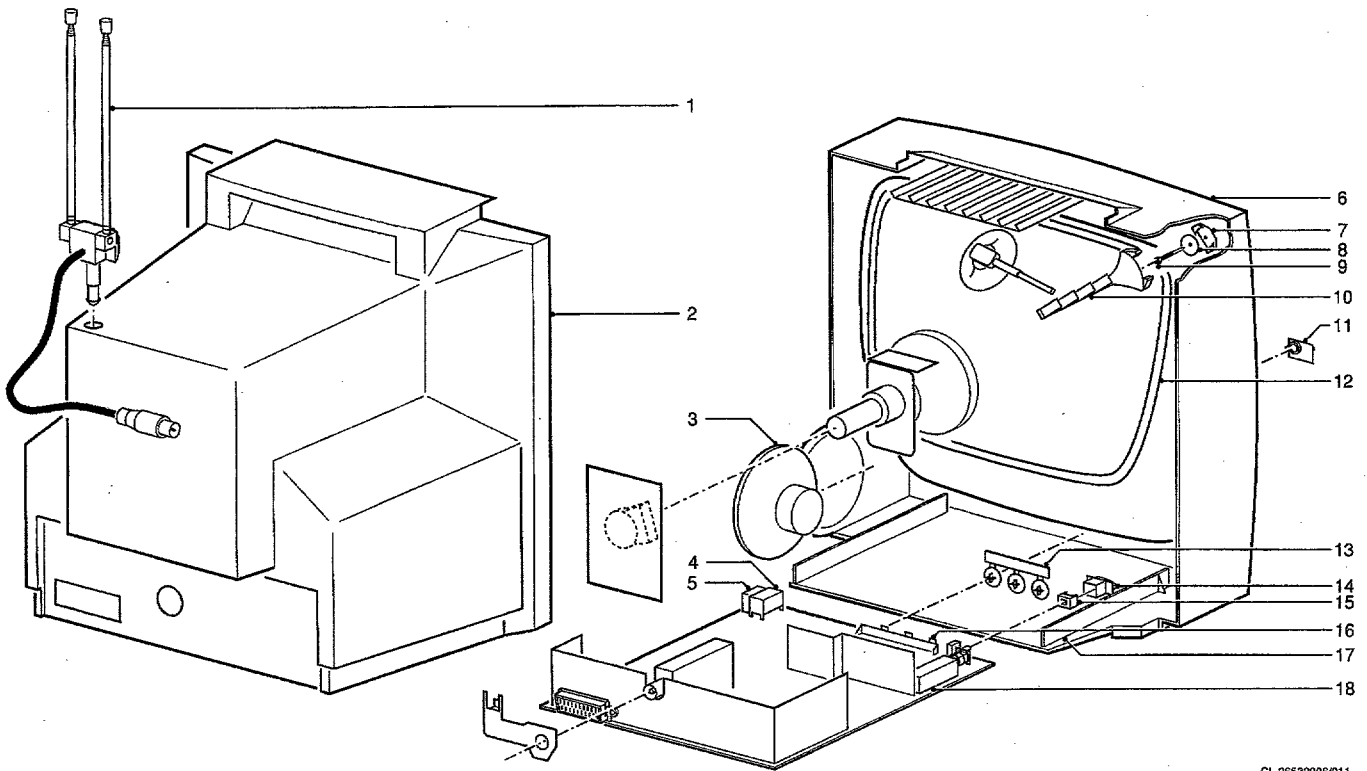


UV917E

VHF_a : 46-118 MHz
VHF_b : 118-300 MHz
UHF : 470-861 MHz

UV915E

Only for -/38-/39
VHF_a : 46-118 MHz
VHF_b : 118-300 MHz
Hyper : 300-470 MHz
UHF : 470-861 MHz



CL 26532008/011
120292

1	4822 303 30434	Aerial
2	4822 438 10387	Rear cover for 37ZZ3233
2	4822 438 10386	Rear cover for 142133PP
3	4822 240 30583	Loudspeaker
4	4822 218 20981	RC5 receiver
5	4822 267 31292	Headphone socket
6	4822 430 10402	Cabinet for 37ZZ3233
6	4822 430 10399	Cabinet for 142133PP
7	4822 466 93169	Plate
8	4822 532 52483	Round washer
9	4822 502 21245	Screw
10	4822 404 30753	bracket fixing degaussing coil
11	4822 450 61954	RC window
12	4822 157 52316	Degaussing coil
13	4822 410 62197	Button assy for controls
14	4822 410 62198	Button for mains
15	4822 404 31013	coupling piece
16	4822 276 13307	Switch assy for controls
17	4822 404 31248	PCB guide right
18	4822 276 12597	Mains switch
	4822 218 21117	RC9076 for 14AA3327
7600	4822 209 31691	Microprocessor TMP47C434N-3145