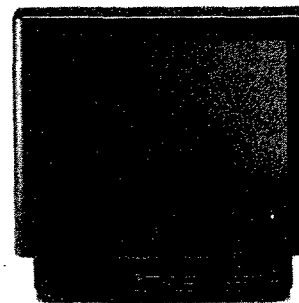


Service  
Service  
Service



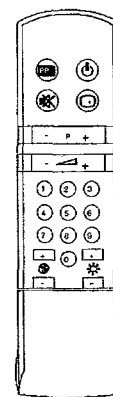
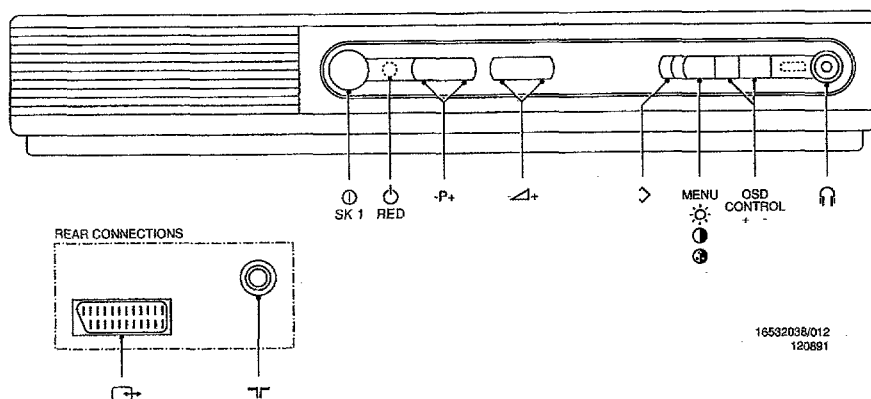
45 842

# Service Manual

Safety regulations require that the set be restored to its original condition and that parts which are identical with those specified be used.

Les normes de sécurité exigent que l'appareil soit remis à l'état d'origine et que soient utilisées les pièces de rechange identiques à celles spécifiées.

## CHASSIS ANUBIS A



RC6802



220-240 V (± 10%)  
52 W



A51EAM31X45  
4822 131 20324



axbxc  
508x475x470 mm



1x1W



-/18/38

: PAL B/G/I  
SECAM B/G/L/L'

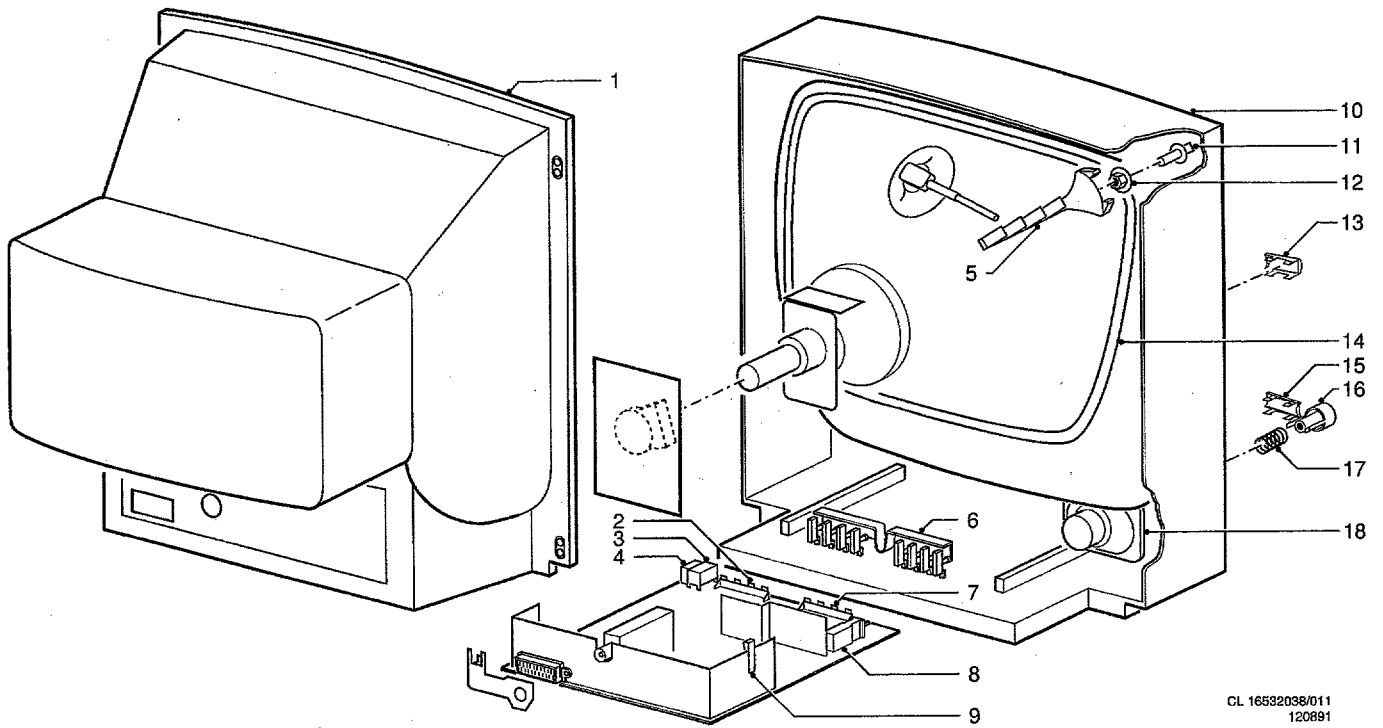


### UV917E

Only for -/18  
VHFa : 46-118 MHz  
VHFb : 118-300 MHz  
UHF : 470-861 MHz

### UV915E

Only for -/38  
VHFa : 46-118 MHz  
VHFb : 118-300 MHz  
Hyper : 300-470 MHz  
UHF : 470-861 MHz



CL 16582038/011  
120891

1	4822 438 20214	Rear cover
2	4822 276 40414	Switch assy right
3	4822 218 20981	RC5 Receiver
4	4822 267 92799	Headphone jack
5	4822 404 31238	coil bracket
6	4822 410 62201	Push button assy
7	4822 277 21438	Switch assy left
8	4822 276 12597	Mains switch
9	4822 492 70559	Spring for transistor
10	4822 430 20098	Cabinet
11	4822 503 12865	Spindle
12	4822 505 10903	Nut
13	4822 381 11247	RC lens
14	4822 157 52155	Degaussing coil
15	4822 432 92731	LED cover
16	4822 410 61503	Mains knob
17	4822 492 32656	Spring
18	4822 240 20294	Loudspeaker
	4822 218 21038	Remote control RC6802