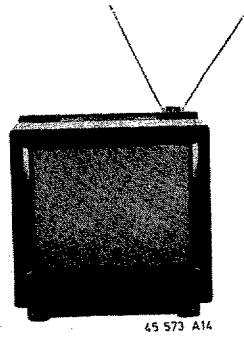


Service
Service
Service



45 573 A14

10B/15B/16B/19B/22B/30B/39B

Herewith service manual 4822 727 18364 is cancelled

Service Manual

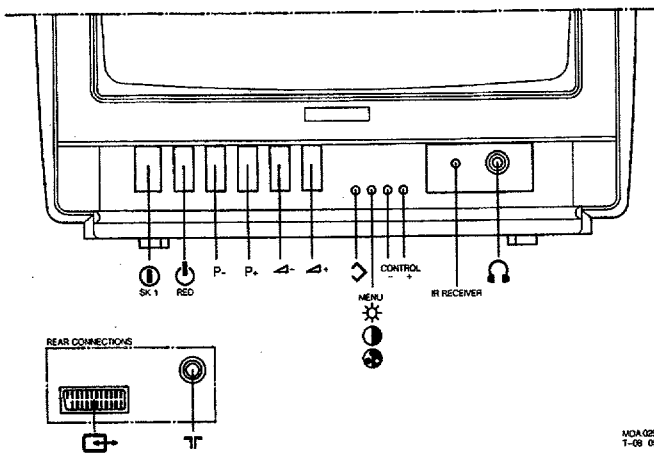
Safety regulations require that the set be restored to its original condition and that parts which are identical with those specified be used.



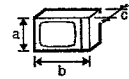

Les normes de sécurité exigent que l'appareil soit remis à l'état d'origine et que soient utilisées les pièces de rechange identiques à celles spécifiées.


CHASSIS ANUBIS A


Remote control: RC6801

4822 218 21003

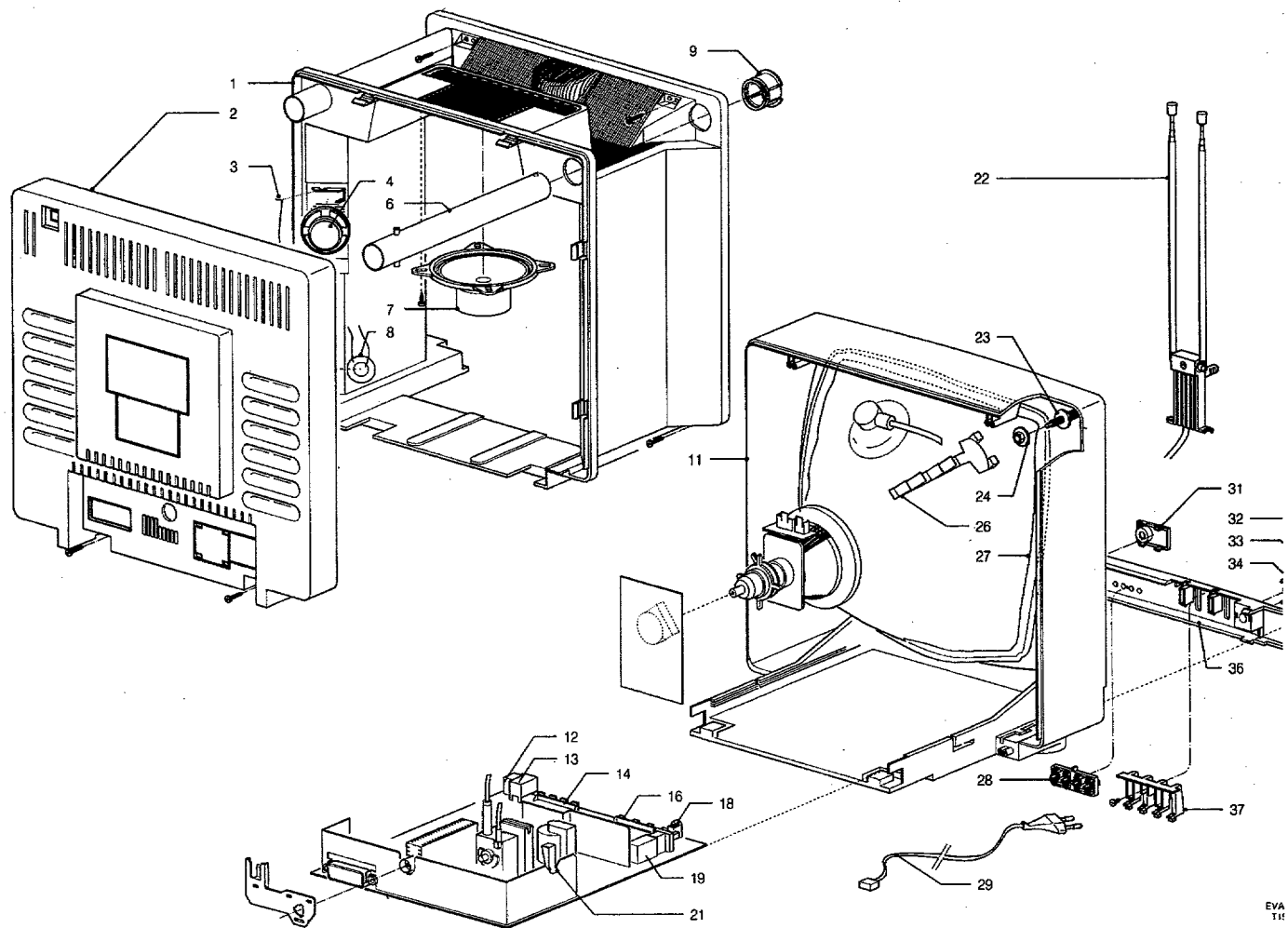


-  220-240 V ($\pm 10\%$)
50 W
-  A41EAM11X13
4822 131 20407
-  axbxc
416x402x392 mm
-  1x1W
1x0,5W
1xpiézo

-  -/05/07 : PAL I
- /08/10/16/30: PAL BG
- /19/39 : PAL B/G/I
SECAM B/G/L/L'
- /15/22 : PAL B/G
SECAM B/G

-  **UV917E**
VHFa: 46-118 MHz
VHFb: 118-300 MHz
UHF : 470-861 MHz
- UV915E**
only for -/30/39
VHFa: 46-118 MHz
VHFb: 118-300 MHz
Hyper: 300-470 MHz
UHF : 470-861 MHz





1	4822 432 10329	Centre section	21	4822 492 70559	Spring for 7445
2	4822 432 10351	Rear cover	22	4822 218 20994	Aerial (for /10B /22B)
3	4822 492 70863	Spring for speaker	22	4822 303 50059	Aerial (for /19B)
4	4822 240 30588	Loudspeaker	23	4822 503 21006	Spindle
6	4822 498 10411	Handle	24	4822 505 10903	Nut
7	4822 240 40191	Loudspeaker	26	4822 404 30753	Bracket
8	4822 240 70227	Piëzo speaker	27	4822 157 52316	Degaussing coil
9	4822 462 41794	Handle stopper	28	4822 410 61183	Knob frame
11	4822 430 10335	Cabinet	29	4822 321 10498	Mains cord
12	4822 267 31292	Headphones jack	31	4822 432 92736	Headphone cover
13	4822 218 20981	RC5 receiver	32	4822 410 61124	Mains knob
14	4822 276 40414	Push button assy	33	4822 492 32656	Spring
16	4822 277 21438	Push button assy	34	4822 381 11251	LED lens
18	4822 255 40955	LED holder	36	4822 404 31175	Control unit
19	4822 276 12597	Mainsswitch	37	4822 410 61182	Knob frame