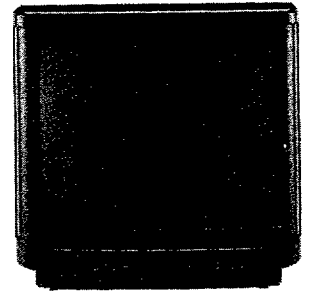


Service
Service
Service

/11B/13B/16B/22B/26B/31B/33B



45 604 A14

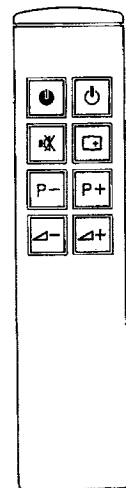
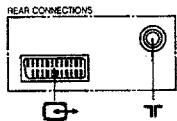
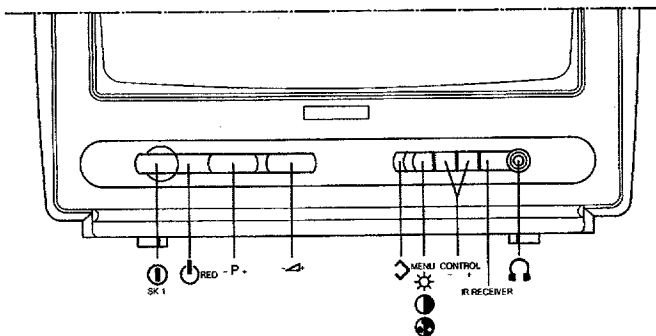
Herewith service manual 4822 727 18368 is cancelled

Service Manual

Safety regulations require that the set be restored to its original condition and that parts which are identical with those specified be used.

Les normes de sécurité exigent que l'appareil soit remis à l'état d'origine et que soient utilisées les pièces de rechange identiques à celles spécifiées.

CHASSIS ANUBIS A



45 604 15001

For -/08: RC9041

RC9020

MDA 62904
128/0-05



220-240 V (± 10%)
50 W



A36EAM11X13
4822 131 20438

-/06/26

: PAL B/G/I
: SECAM B/G/L/L'



axbxc
372x369x372 mm

-/03/08/09
-/11/13/16
-/22/31/33

: PAL B/G

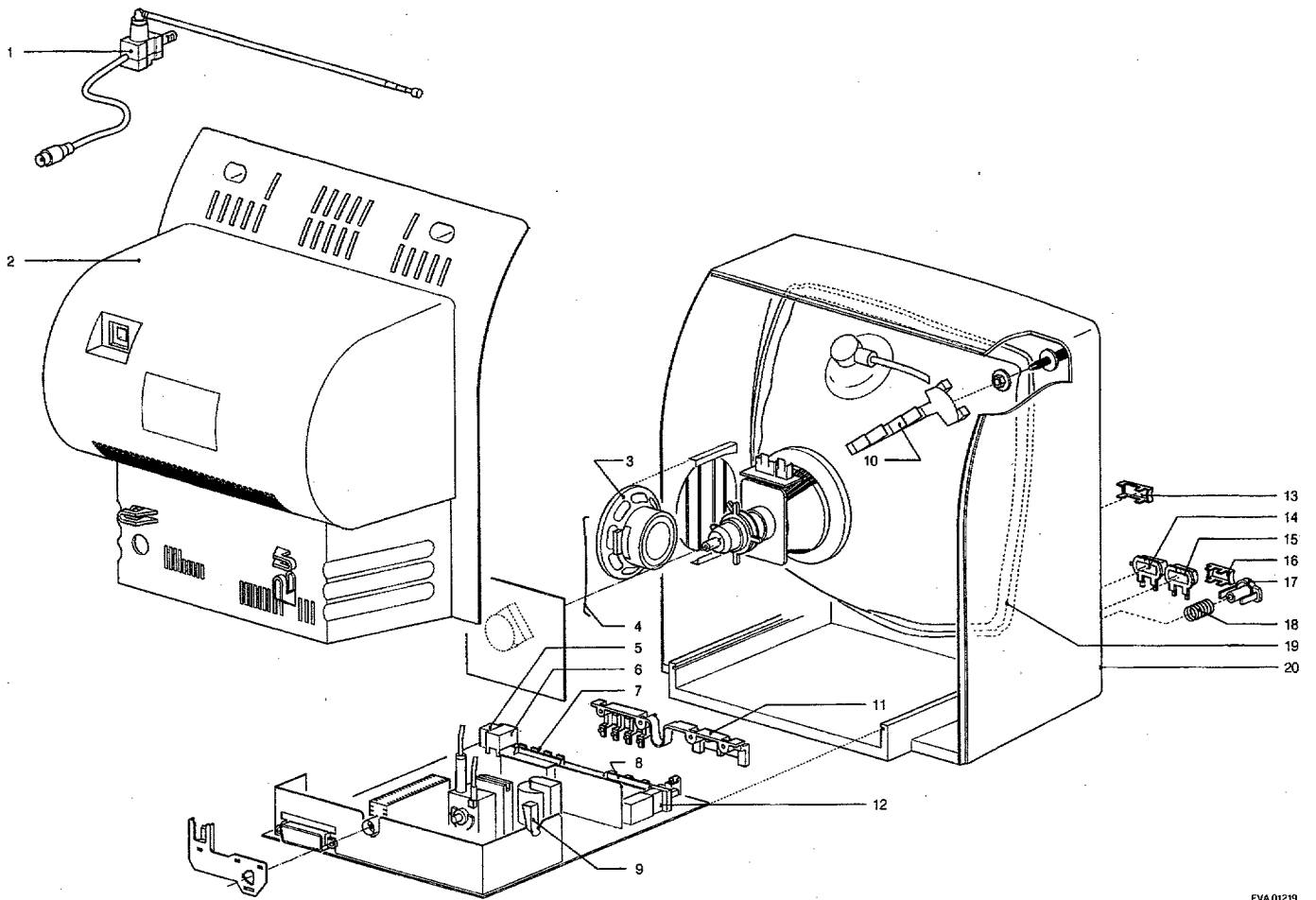


1x1W



UV917E
VHFa: 46-118 MHz
VHFb: 118-300 MHz
UHF : 470-861 MHz

UV915E
only for -/26/31/33
VHFa: 46-118 MHz
VHFb: 118-300 MHz
Hyper: 300-470 MHz
UHF : 470-861 MHz



EVA 01219
T28/049

1	4822 303 50057	Aerial assy
2	4822 438 10354	Rear cover
3	4822 240 30583	Loudspeaker
4	4822 492 70215	Spring for speaker
5	4822 267 31292	Headphones jack
6	4822 218 20981	RC5 receiver
7	4822 276 40414	Push button assy
8	4822 277 21438	Push button assy
9	4822 492 70559	Spring for 7445
10	4822 404 30753	Bracket
11	4822 410 61152	Button frame
12	4822 276 12597	Mains switch
13	4822 381 11247	Cover
14	4822 410 61154	Button volume
15	4822 410 61149	Button program
16	4822 432 92731	LED gate cover
17	4822 410 61148	Mains knob
18	4822 492 32656	Spring
19	4822 157 52316	Degaussing coil
20	4822 430 10337	Cabinet
-	4822 218 20998	Remote control RC9020
-	4822 218 21015	Remote control RC9041 (only for -/08)