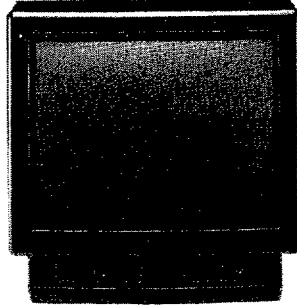


Service
Service
Service



45 505 A14

15B/16B/19B/19W/20B/22B
30B/36B/39B/39W/40B/42B

17AA3342/07B/08B/10B/15B
16B/19B/20B/22B/30B/39B/40B/42B

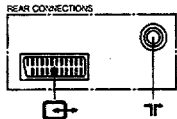
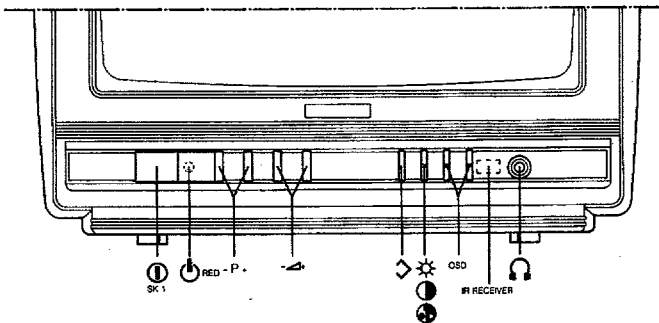
Herewith service manual 4822 727 18829 /4822 727 18304 /4822 727 18305 are cancelled

Service Manual

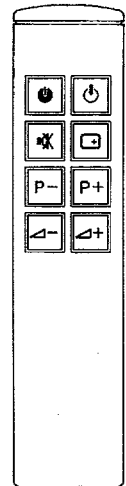
Safety regulations require that the set be restored to its original condition and that parts which are identical with those specified be used.

Les normes de sécurité exigent que l'appareil soit remis à l'état d'origine et que soient utilisées les pièces de rechange identiques à celles spécifiées.

CHASSIS ANUBIS A



MOA 02944
128048



MOA 02944
128048

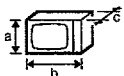
RC9020



220-240 V (± 10%)
50 W



A36EAM11X13
4822 131 20438
A41EAM11X13
4822 131 20407



axbxc
15AA3332
374x366x367 mm
17AA3342
421x392 403 mm



1x1W



-/05/07 : PAL I
-/08/10/16 : PAL B/G
-/22/30/36 : PAL B/G/I
-/19/20/39/40 : SECAM B/G/L/L'
-/15 : PAL B/G
SECAM B/G
-/42 : PAL B/G
SECAM B/G/D/K



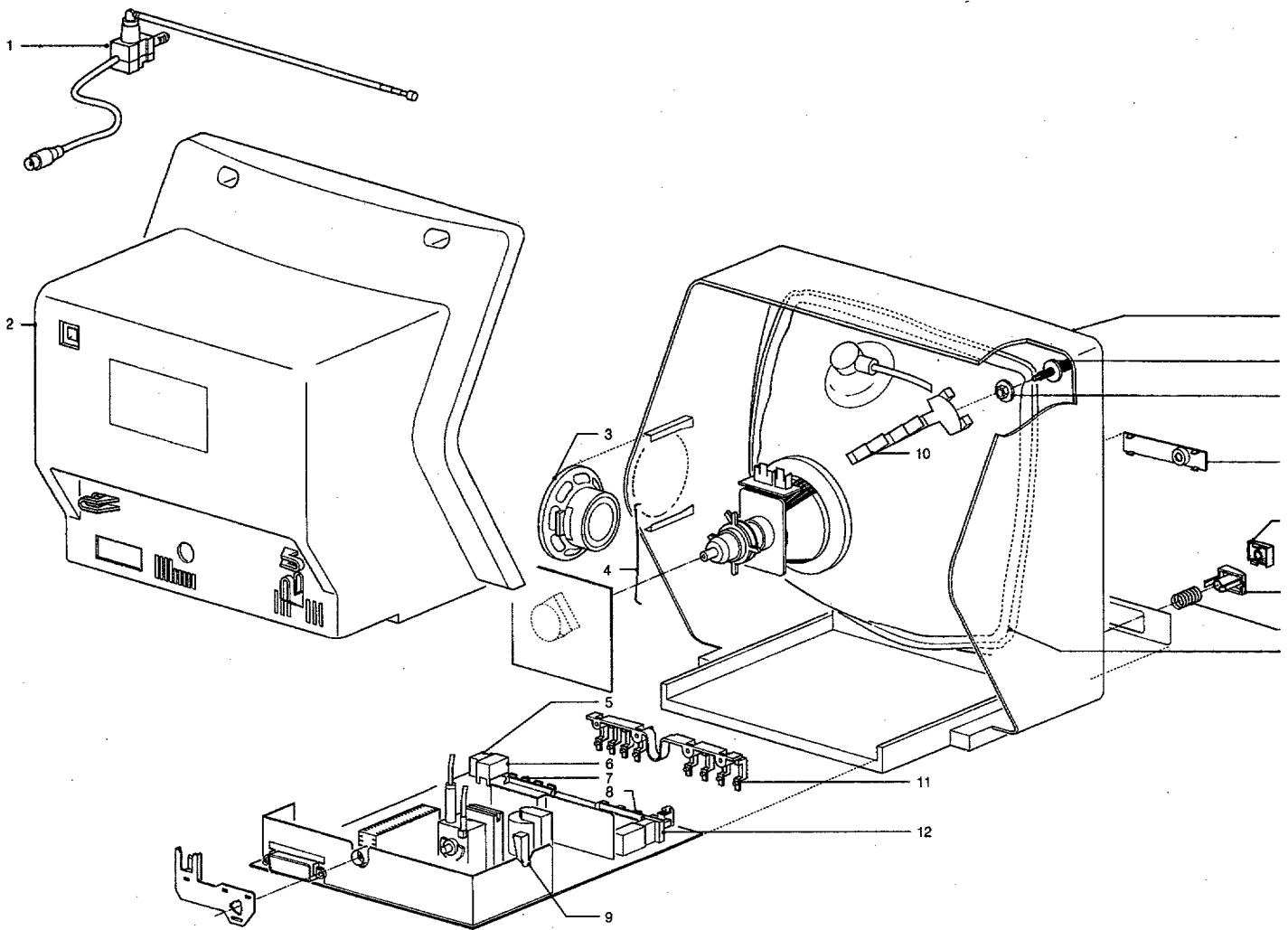
UV917E
VHFa : 46-118 MHz
VHFb : 118-300 MHz
Hyper : 300-470 MHz
UHF : 470-861 MHz

U943/IEC
Only for -/05
UHF : 470-861

UV915E
Only for -/30/36/39/40/42
VHFa : - 118 MHz
VHFb : 118-300 MHz
Hyper : 300-470 MHz



PHILIPS



EVA.01185
T26/049

15AA3332

17AA3342

| | | | |
|----|----------------|-----------------------|----------------|
| 1 | 4822 303 50057 | Aerial assy | 4822 303 50052 |
| 2 | 4822 438 10342 | Rear cover | 4822 438 10343 |
| 2 | 4822 438 10393 | Rear cover/W | |
| 3 | 4822 240 30583 | Loudspeaker | 4822 240 30583 |
| 4 | 4822 492 70215 | Spring for speaker | 4822 492 70215 |
| 5 | 4822 267 31292 | Headphones jack | 4822 267 31292 |
| 6 | 4822 218 20981 | RC5 receiver | 4822 218 20981 |
| 7 | 4822 276 40414 | Switch assy right | 4822 276 40414 |
| 8 | 4822 277 21438 | Switch assy left | 4822 277 21438 |
| 9 | 4822 492 70559 | Spring for transistor | 4822 492 70559 |
| 10 | 4822 404 30753 | Coil bracket | 4822 404 30839 |
| 11 | 4822 413 31648 | Button frame | 4822 413 31648 |
| 12 | 4822 276 12597 | Mains switch | 4822 276 12597 |
| 13 | 4822 430 10326 | Cabinet | 4822 430 10327 |
| 13 | 4822 430 10405 | Cabinet /W | |
| 14 | 4822 503 21006 | Spindle | 4822 503 21006 |
| 15 | 4822 505 10903 | Nut | 4822 505 10903 |
| 16 | 4822 432 92734 | Cover | 4822 432 92735 |
| 16 | 4822 432 92984 | Cover /W | |
| 17 | 4822 432 92732 | LED gate cover | 4822 432 92732 |
| 18 | 4822 410 61055 | Mains knob | 4822 410 61055 |
| 19 | 4822 492 32656 | Spring | 4822 492 32656 |
| 20 | 4822 157 52326 | Degaussing coil | 4822 157 52883 |
| | 4822 218 20998 | Remote control RC9020 | 4822 218 20998 |