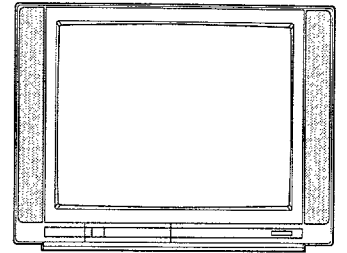


Service  
Service  
Service



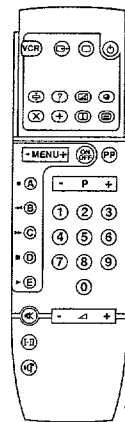
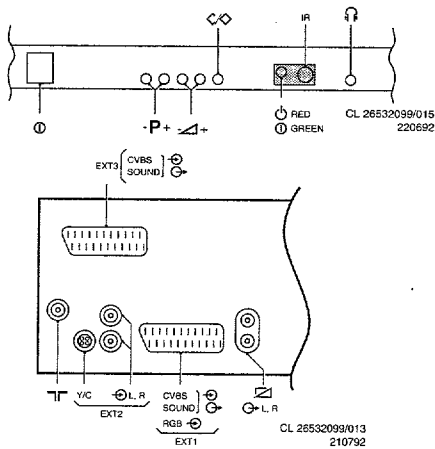
CL 26532154/013  
140992

# Service Manual

Safety regulations require that the set be restored to its original condition and that parts which are identical with those specified be used.

Les normes de sécurité exigent que l'appareil soit remis à l'état d'origine et que soient utilisées les pièces de rechange identiques à celles spécifiées.

## Chassis GR2.2

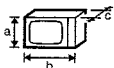


RC6512  
CL 26532107/011  
240692

RC6512



220-240 V (± 10%)  
140 W max.



axbxc (mm)  
25": 730x535x447



-/18/19

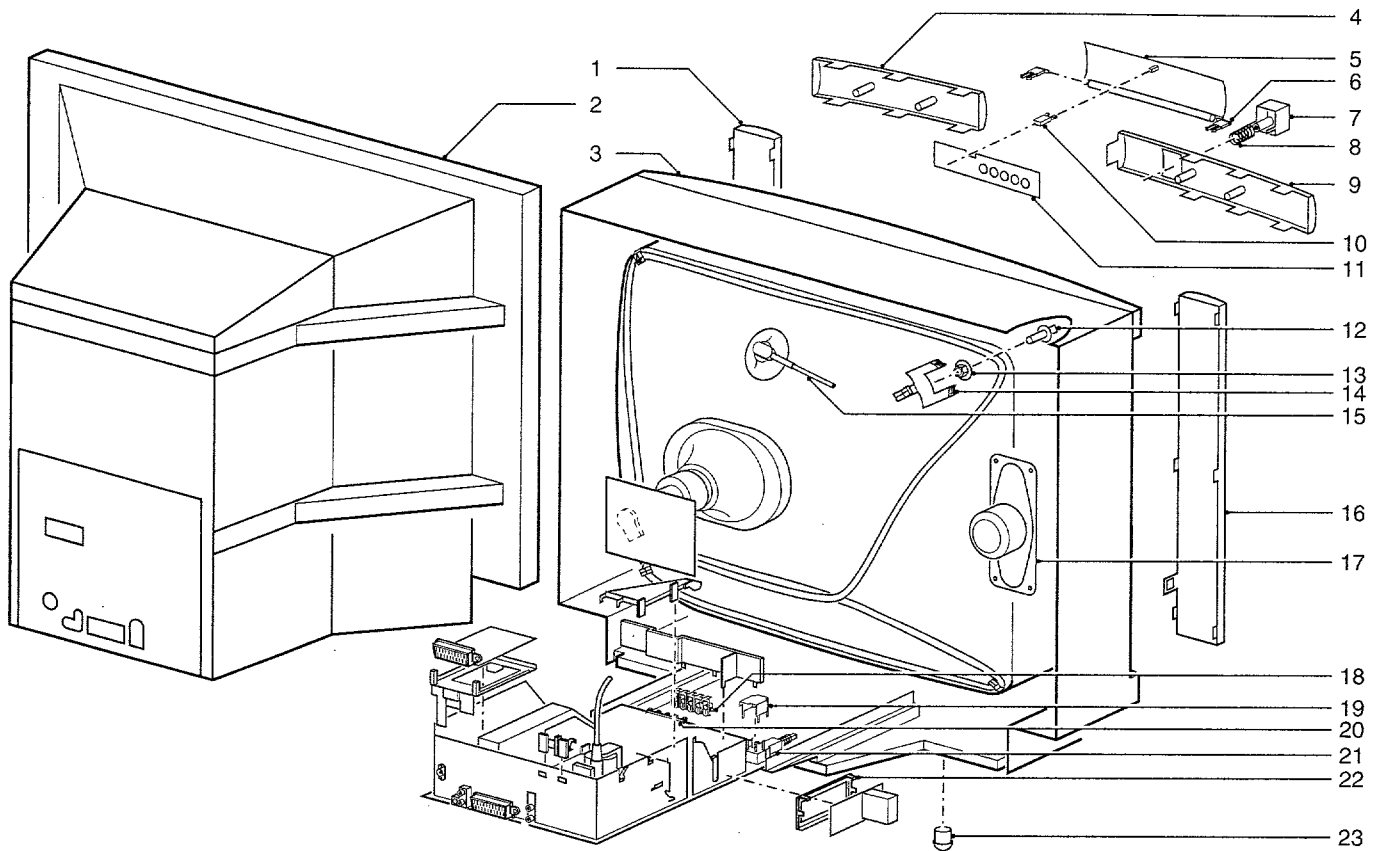
: PAL BGI  
SECAM BGLL'



UV916: 45-855 MHz



2x20 W  
8Ω



CL 26532166/011  
061092

1	4822 458 50374	Grill right	17	4822 240 40162	Loudspeaker
2	4822 438 40205	Rear cover	18	4822 410 61347	Control knob assy
3	4822 430 50809	Cabinet	19	4822 432 92785	Mains switch cover
4	4822 432 92811	Front cover right for 63NA2576	20	4822 276 50354	Control switch assy
4	4822 432 92969	Front cover right for 255962SB	21	4822 276 12916	Mains switch
5	4822 432 92883	Door for 255962SB		4822 053 21915	Res. 9M1 (on mains switch)
5	4822 432 92768	Door for 63NA2576	22	4822 404 31181	Mains module bracket
6	4822 432 92754	Hing	23	4822 462 71537	Foot
7	4822 410 61643	Mains knob for 63NA2576		4822 404 30709	Degaussing coil clip
7	4822 410 61824	Mains knob for 255962SB		4822 157 63747	Degaussing coil
8	4822 492 32656	Spring behind mains knob		4822 131 20482	Picture tube A59EAK71X03
9	4822 432 92813	Front cover left for 63NA2576		4822 218 21079	Remote control RC6512
9	4822 432 92882	Front cover left for 255962SB		4822 432 92761	Battery cover RC6512
10	4822 417 50252	Lock		4822 432 92762	Top cover RC6512
11	4822 454 12742	Indication strip			
12	4822 502 12865	Picture tube spindle			
13	4822 505 10903	Picture tube nut			
14	4822 404 30869	Degaussing coil bracket			
15	4822 320 20182	EHT cable assy			
16	4822 458 50373	Grill left			