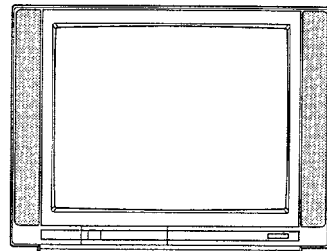


Service
Service
Service

/13B



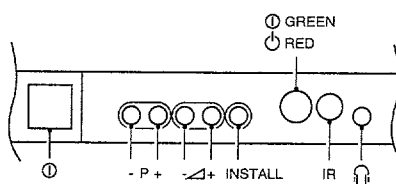
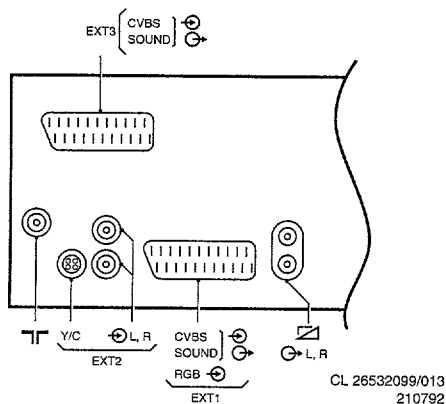
CL 26532154/013
140992

Service Manual

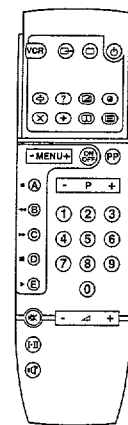
Safety regulations require that the set be restored to its original condition and that parts which are identical with those specified be used.

Les normes de sécurité exigent que l'appareil soit remis à l'état d'origine et que soient utilisées les pièces de rechange identiques à celles spécifiées.

Chassis GR2.2



70NA1817
CL 16532097/033
070192



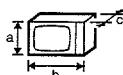
RC6512
CL 26532107/011
240992



220-240 V ($\pm 10\%$)
140 W max.



A66EAK222X13
4822 131 20472



axbxc
28": 743x555x458 mm



-/13B

: PAL BG NICAM



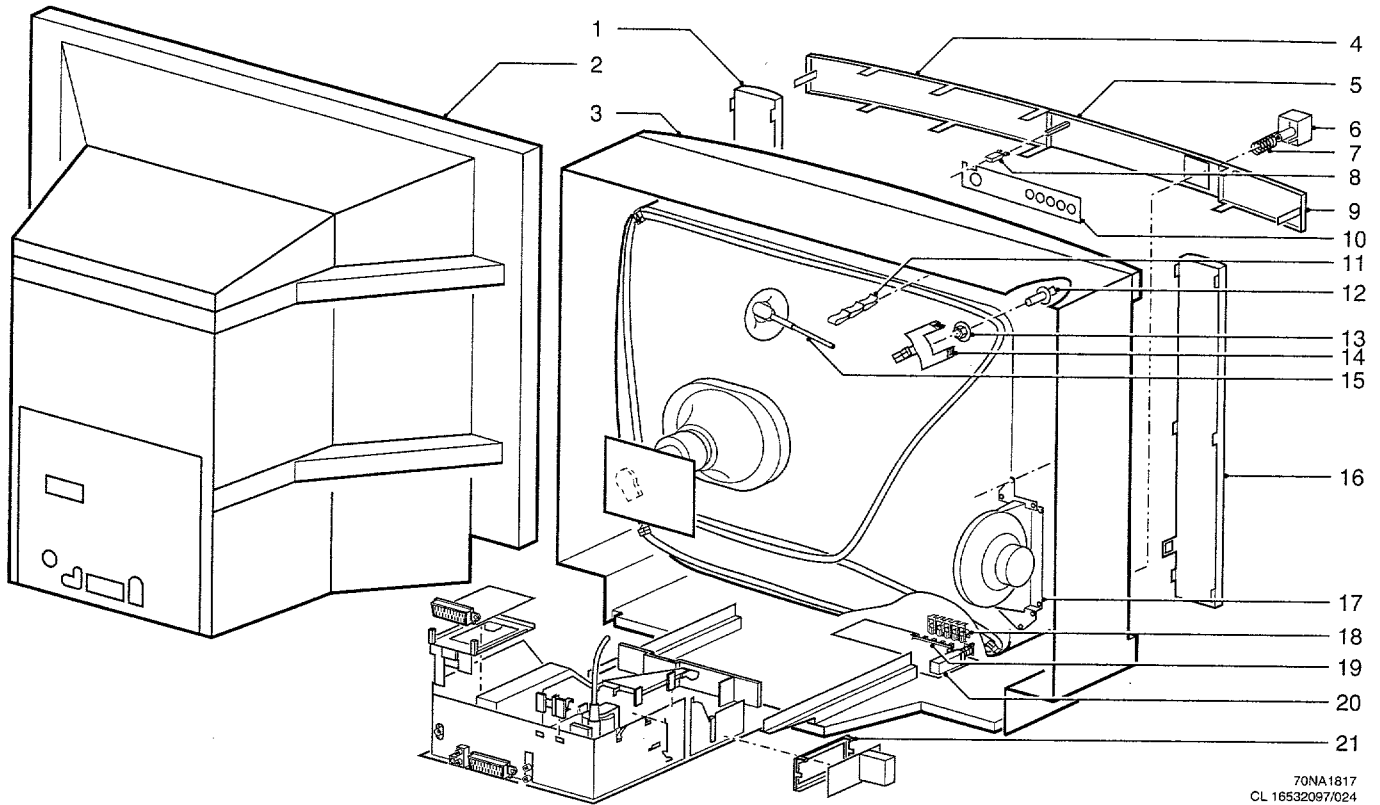
UV916: 45-889 MHz



2x20 W
8 Ω



PHILIPS



70NA1817
CL 16532097/024
121991

1	4822 458 50407	Grill right	21	4822 404 31181	Mains module bracket
2	4822 438 40225	Rear cover			
3	4822 430 50868	Cabinet			
4	4822 432 92943	Front cover right			
5	4822 432 92921	Door			
6	4822 410 62041	Mains knob		4822 432 92906	Stand
7	4822 492 32656	Spring behind mains knob		4822 532 61148	Insert fixing stand
8	4822 417 50252	Locking mechanism		4822 432 10989	Control panel with fixing lips
9	4822 432 92941	Front cover left		4822 157 63752	Degaussing coil
10	4822 460 10987	Indication strip		4822 502 13712	Screw 12x3 mm
11	4822 404 30709	Degaussing coil clip		4822 256 91886	Holder for CRT
12	4822 502 12865	Picture tube spindle		4822 218 21079	Remote control RC6512
13	4822 505 10903	Picture tube nut		4822 432 92761	Battery cover RC6512
14	4822 404 30869	Degaussing coil bracket		4822 432 92762	Top cover RC6512
15	4822 320 20172	EHT cable		4822 462 30542	PCB Guide for control unit
16	4822 458 50408	Grill left		4822 462 30543	PCB Guide right mono carrier
17	4822 240 40201	Loudspeaker assy right/left		4822 462 30544	PCB Guide left mono carrier
18	4822 410 61347	Control knob assy			
19	4822 276 50354	Switch assy for controls			
20	4822 276 12597	Mains switch			
	5322 116 64001	Res. 18M on mainsswitch			