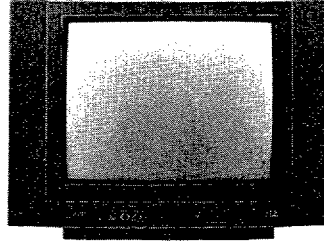


Service  
Service  
Service



44 210 A11

287962SB/19R

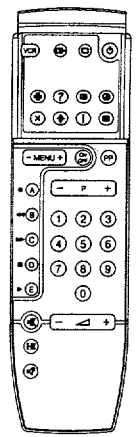
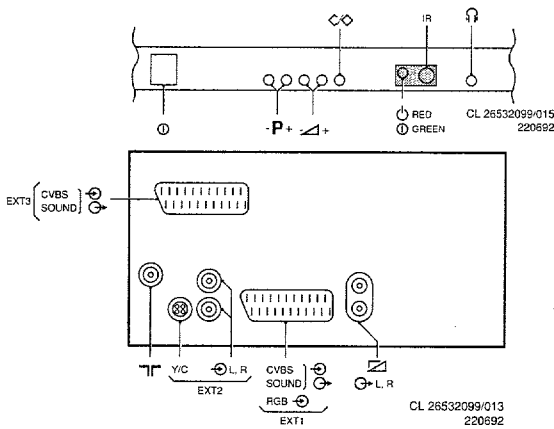
288572SB/02B

# Service Manual

Safety regulations require that the set be restored to its original condition and that parts which are identical with those specified be used.

Les normes de sécurité exigent que l'appareil soit remis à l'état d'origine et que soient utilisées les pièces de rechange identiques à celles spécifiées.

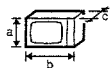
## Chassis GR2.2



RC6512



220-240 V ( $\pm 10\%$ )  
140 W max.



axbxc  
28": 788x581x485 mm



-/18/19

: PAL BGI  
SECAM BGLL'

-/02

: PAL BG



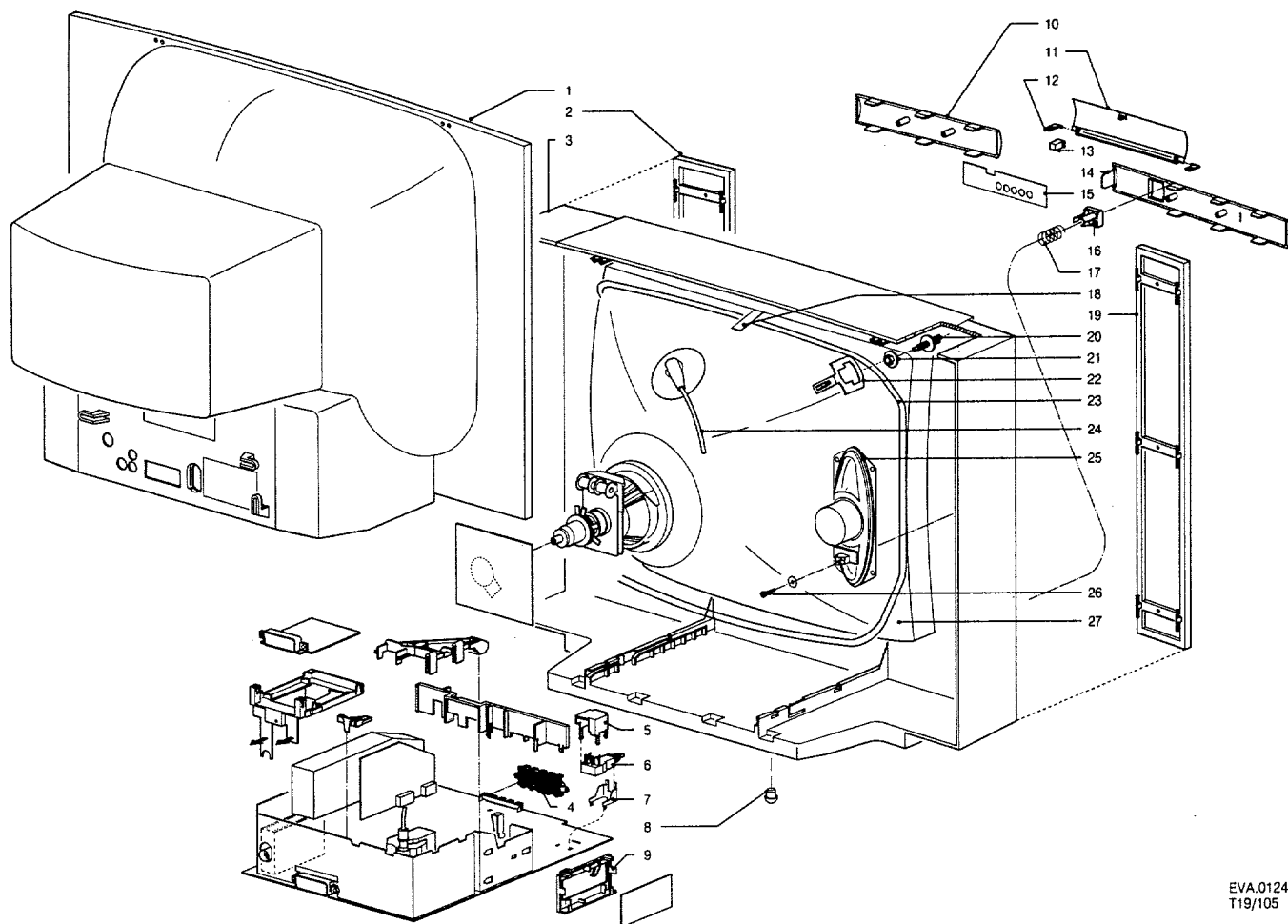
UV916: 45-855 MHz



2x20 W  
8 $\Omega$



**PHILIPS**



EVA.01240  
T19/105

1	4822 438 30247	Rear cover	16	4822 410 61824	Mains knob for /19R
2	4822 458 50372	Grill right	16	4822 410 61643	Mains knob
2	4822 458 50348	Grill right for /02B	17	4822 492 32656	Spring behind mains knob
3	4822 430 50811	Cabinet	18	4822 404 30709	Clip
3	4822 430 50863	Cabinet for /02B	19	4822 458 50349	Grill left for /02B
4	4822 410 61347	Knob assy	19	4822 458 50371	Grill left
5	4822 432 92785	Mains switch cover	20	4822 502 12865	Picture tube spindle
6	4822 276 12916	Mains switch	21	4822 505 10903	Picture tube nut
	4822 053 21915	Res. 9M1 (on mains switch)	22	4822 404 30869	Degaussing coil bracket
7		Not used	23	4822 157 63752	Degaussing coil
8	4822 462 71537	Foot	24	4822 320 20172	EHT cable assy for /02B
9	4822 404 31181	Mains module bracket	24	4822 320 20182	EHT cable assy non Blackline
10	4822 432 92812	Front cover right	25	4822 240 40162	Loudspeaker
10	4822 432 92971	Front cover right for /19R	26	4822 502 30672	Screw 10x3 mm
10	4822 432 92967	Front cover right for /02B	26	4822 502 13712	Screw 12x3 mm
11	4822 432 92966	Door for /02B	27	4822 131 20481	Picture tube A66EAK71X03
11	4822 432 92883	Door for /19R	27	4822 131 20472	Picture tube A66EAK222X13 for /02B
11	4822 432 92768	Door			
12	4822 432 92754	Hing			
13	4822 417 50252	Lock			
14	4822 432 92814	Front cover left		4822 218 21079	Remote control RC6512
14	4822 432 92891	Front cover left for /19R		4822 432 92761	Battery cover RC6512
14	4822 432 92968	Front cover left for /02B		4822 432 92762	Top cover RC6512
15	4822 454 12742	Indication strip			
16	4822 410 62175	Mains knob for /02B			