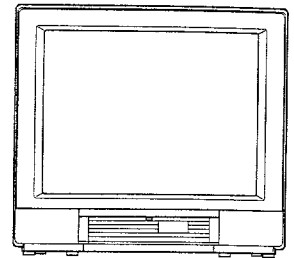


Service
Service
Service

52NA2366/18B

213862SB/19R



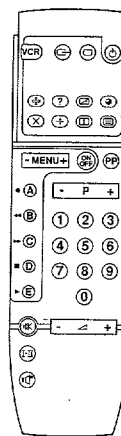
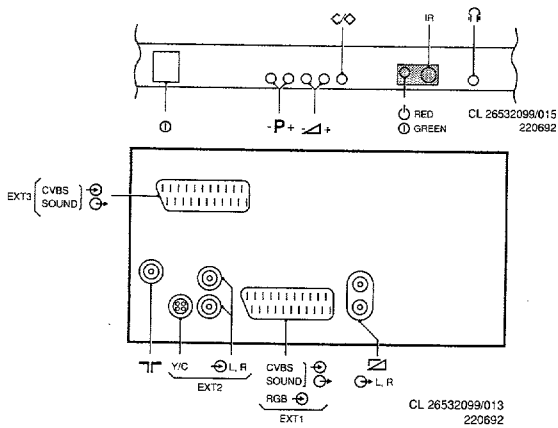
CL 265329053/018
250692

Service Manual

Safety regulations require that the set be restored to its original condition and that parts which are identical with those specified be used.

Les normes de sécurité exigent que l'appareil soit remis à l'état d'origine et que soient utilisées les pièces de rechange identiques à celles spécifiées.

Chassis GR2.2

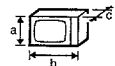


RC6512

RC6512
CL 26532107/011
240692



220-240 V (± 10%)
140 W max.



axbxc
21": 527x474x485 mm



: PAL BG

-/03

: PAL BG NICAM

-/16

: PAL BGI
SECAM BGLL'

-/18/19



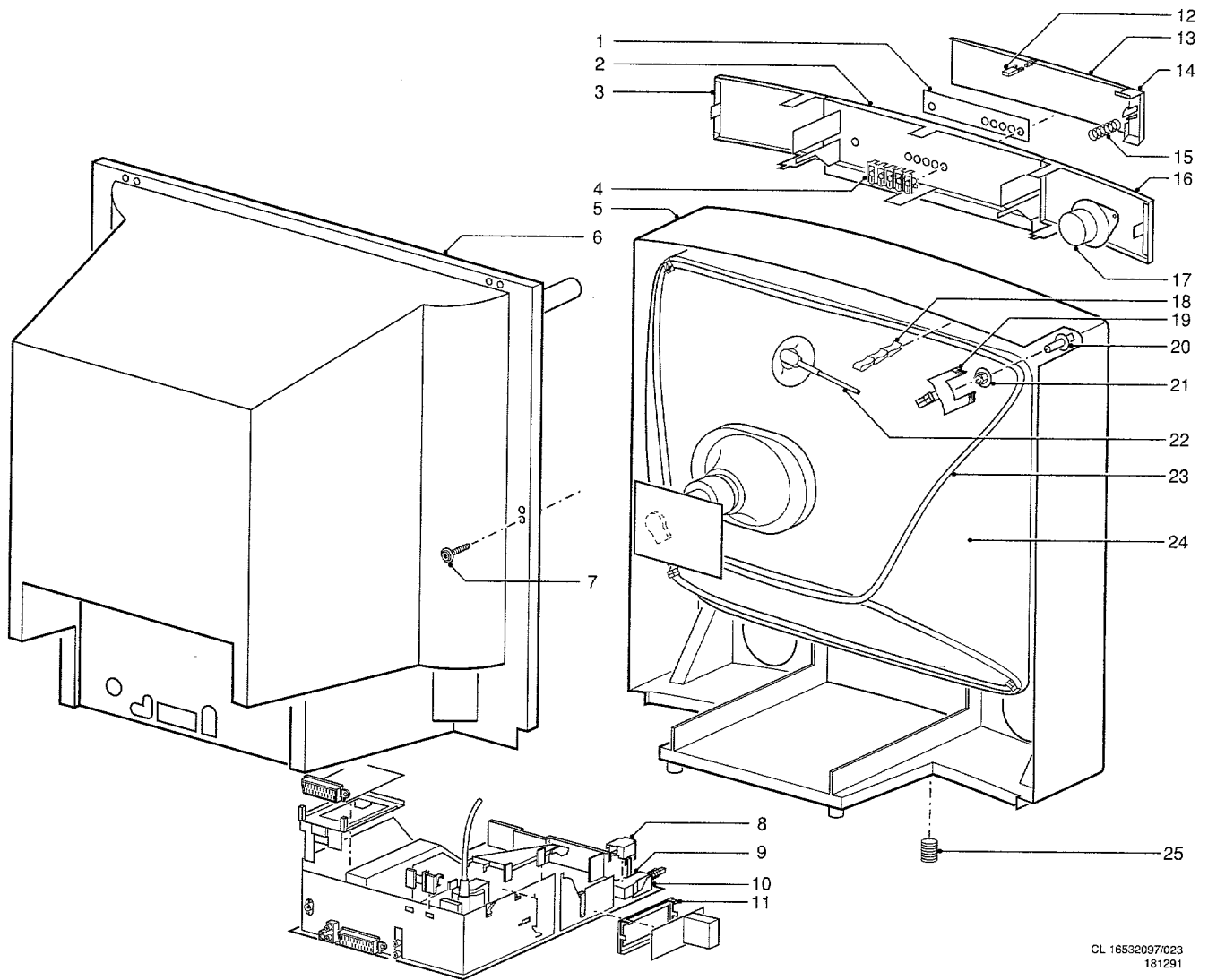
UV916: 45-889 MHz



2x10 W
8Ω



PHILIPS



CL 16532097/023
181291

1	4822 454 12749	Indication strip	20	4822 502 12865	Picture tube spindle
2	4822 432 10956	Control panel	21	4822 505 10903	Picture tube nut
3	4822 458 50397	Grill full width	22	4822 320 20182	EHT cable
4	4822 410 61347	Control knob assy	23	4822 157 62613	Degaussing coil
5	4822 430 40211	Cabinet	24	4822 131 20483	Picture tube A51EAL55X73
			25		Not used
6	4822 430 40213	Rear cover			
7	4822 502 13712	Screw 12x3 mm			
8	4822 432 92785	Mains switch cover	4822 218 21079	Remote control RC6512	
9	4822 276 12916	Mains switch	4822 432 92761	Battery cover RC6512	
	4822 053 21915	Res. 9M1 on mains switch	4822 432 92762	Top cover RC6512	
10		Not used			
11	4822 404 31181	Mains module bracket			
12	4822 417 50252	Locking mechanism			
13	4822 432 92808	Door			
14	4822 410 61642	Mains knob			
15	4822 492 32656	Spring behind mains knob			
16		See item 3			
17	4822 240 20305	Loudspeaker right/left			
18		Not used			
19	4822 404 30945	Degaussing coil bracket			