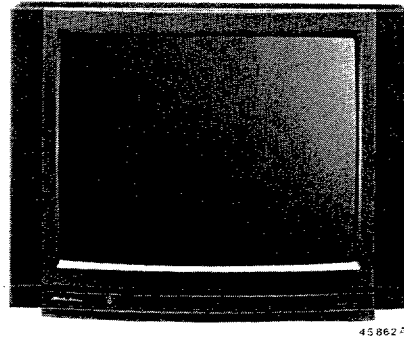


Service
Service
Service



10B/13B/16B

63NA2618/10B

63NA2676/18B

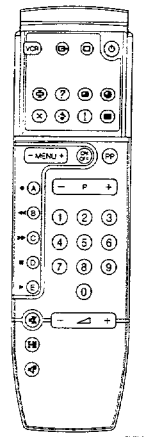
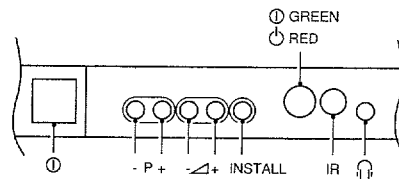
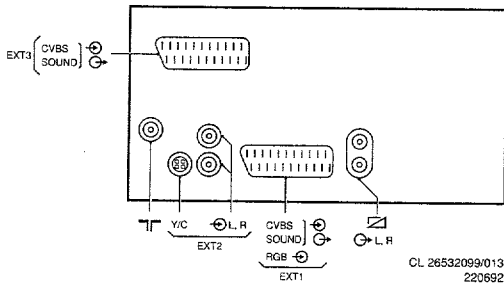
256372SB/02R/04R

Service Manual

Safety regulations require that the set be restored to its original condition and that parts which are identical with those specified be used.

Les normes de sécurité exigent que l'appareil soit remis à l'état d'origine et que soient utilisées les pièces de rechange identiques à celles spécifiées.

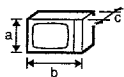
Chassis GR2.2



RC6512



220-240 V (± 10%)
140 W max.



axbxc
25": 685x506x470 mm



-/02/03/04
-/09/10

: PAL BG

-/18

: PAL BGI
SECAM BGLL'

63NA2618/10B
63NA2676/18B

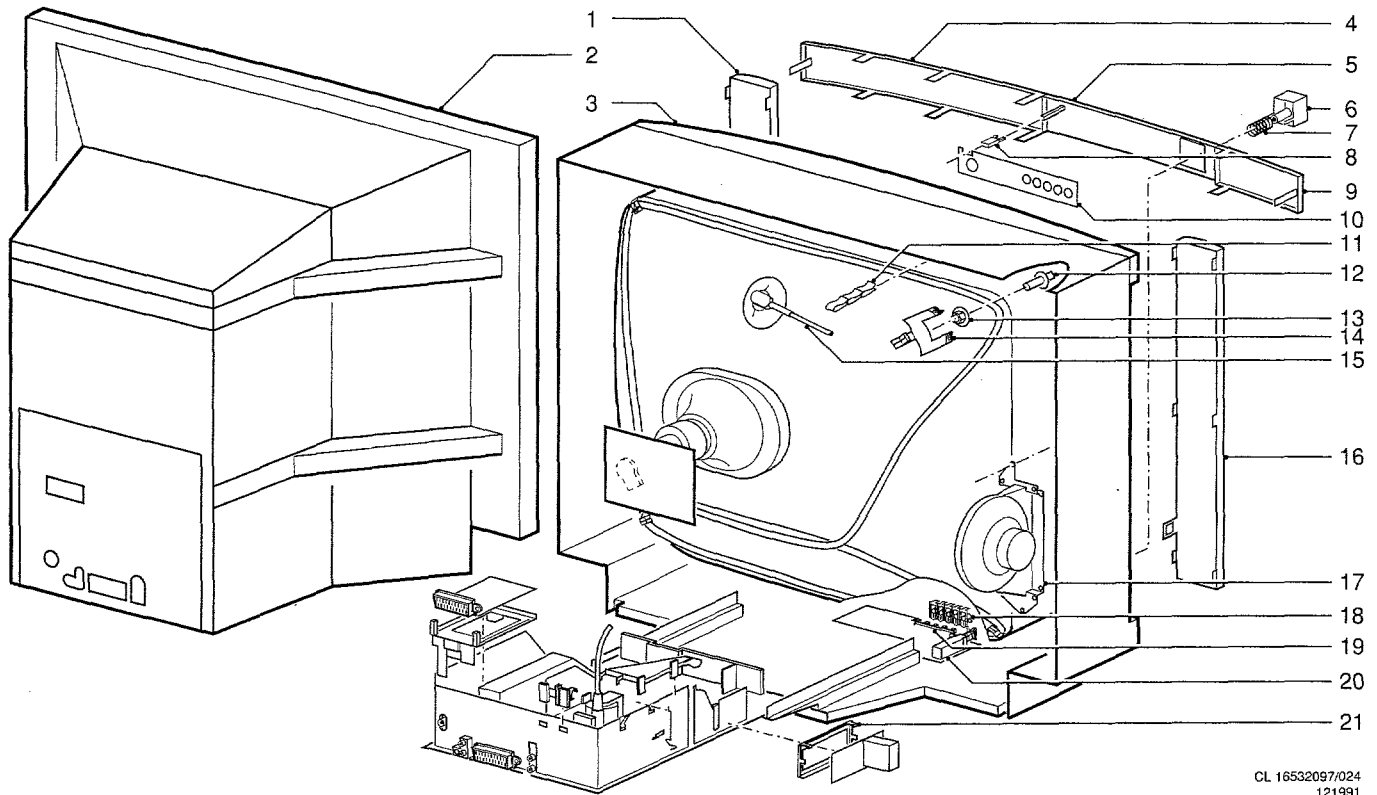
: PAL BG NICAM



UV916: 45-889 MHz



2x20 W
8Ω



CL 16532097/024
121991

1	4822 458 50409	Grill right	14	4822 404 30869	Degaussing coil bracket
1	4822 458 50451	grill right for /02R	15	4822 320 20172	EHT cable
2	4822 438 40248	Rear cover	16	4822 458 50411	Grill left
3	4822 430 50856	Cabinet	16	4822 458 50449	Grill left for /02R
3	4822 430 50858	Cabinet for /04R	17	4822 240 40201	Loudspeaker assy right/left
3	4822 430 50862	Cabinet for /02R	18	4822 410 61347	Control knob assy
3	4822 430 50857	Cabinet for /13B	19	4822 276 50354	Switch assy for controls
4	4822 432 92955	Front cover right	20	4822 276 12597	Mains switch
4	4822 432 92964	Front cover right for /02R	21	4822 404 31181	Mains module bracket
4	4822 432 92956	Front cover right for /04R			
5	4822 432 92919	Door	4822 157 63747	Degaussing coil	
5	4822 432 92921	Door for /04R	4822 131 20487	Picture tube ACP-EAK222X13	
5	4822 432 92946	Door for /02R	4822 502 13712	Screw 12x3 mm	
6	4822 410 62033	Mains knob	4822 256 91886	Holder for CRT	
6	4822 410 62144	Mains knob for /02R	4822 218 21079	Remote control RC6512	
6	4822 410 62041	Mains knob for /04R	4822 432 92761	Battery cover RC6512	
7	4822 492 32656	Spring behind mains knob	4822 432 92762	Top cover RC6512	
8	4822 417 50252	Locking mechanism	4822 462 30542	PCB Guide for control unit	
9	4822 432 92953	Front cover left	4822 462 30543	PCB Guide right mono carrier	
9	4822 432 92965	Front cover left for /02R	4822 462 30544	PCB Guide left mono carrier	
9	4822 432 92954	Front cover left for /04R			
10	4822 460 10987	Indication strip			
11	4822 404 30709	Degaussing coil clip			
12	4822 502 12865	Picture tube spindle			
13	4822 505 10903	Picture tube nut			