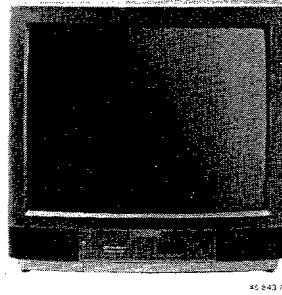


Service  
Service  
Service



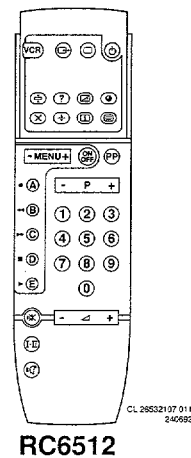
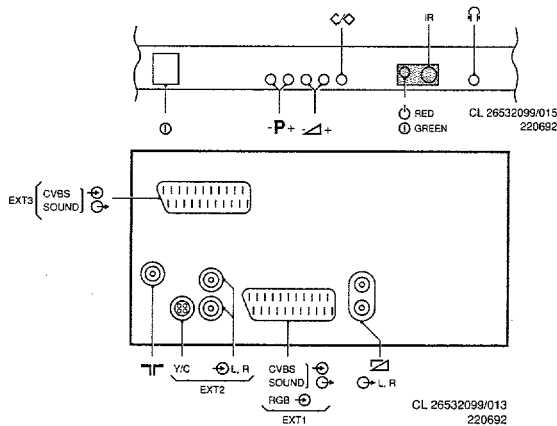
256862SB/19R

# Service Manual

Safety regulations require that the set be restored to its original condition and that parts which are identical with those specified be used.

Les normes de sécurité exigent que l'appareil soit remis à l'état d'origine et que soient utilisées les pièces de rechange identiques à celles spécifiées.

## Chassis GR2.2



220-240 V ( $\pm 10\%$ )  
140 W max.

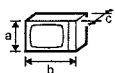


-/02/03/08

PAL BG



UV916: 45-889 MHz



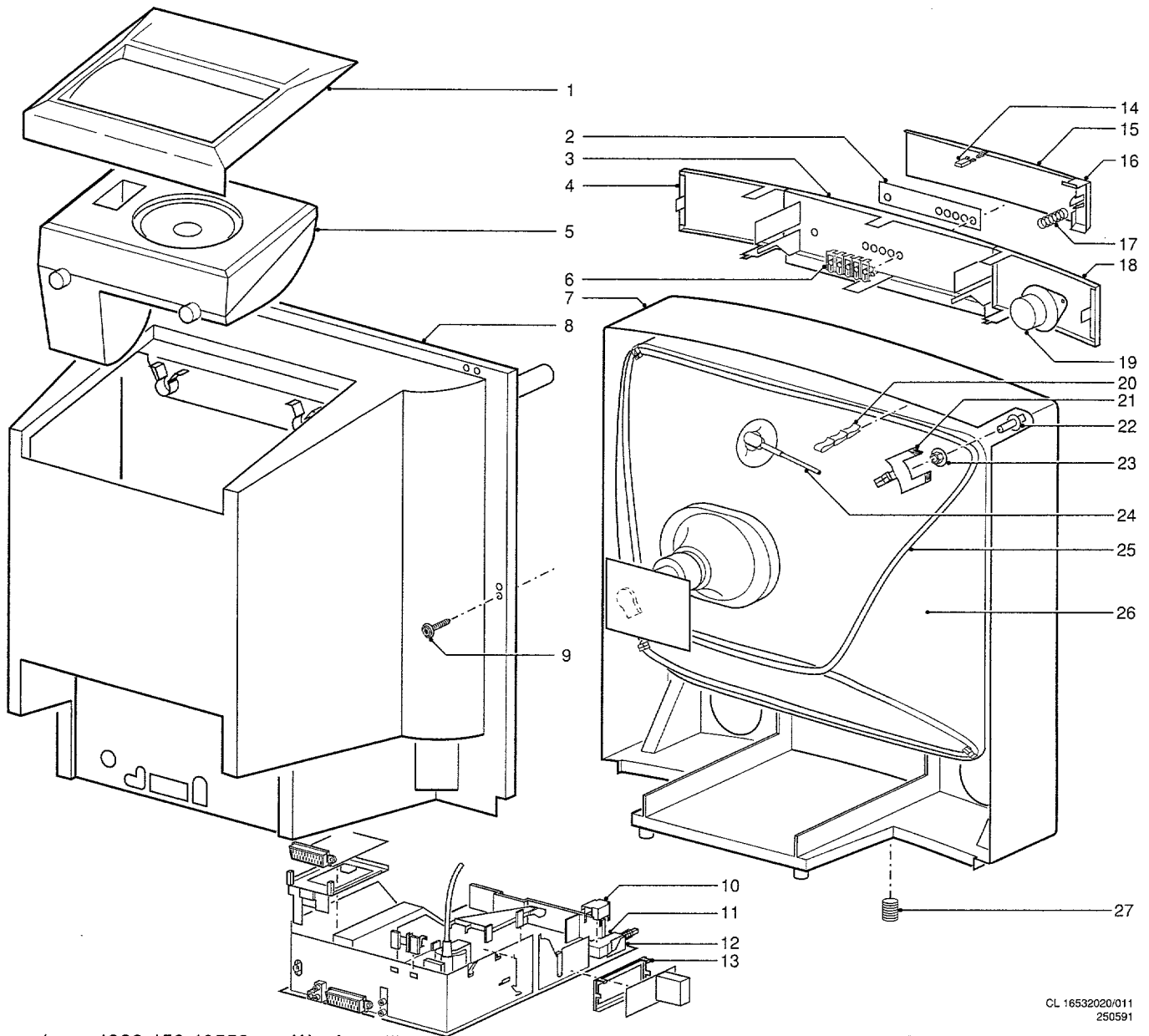
axbxc  
25": 581x545x439 mm

-/19

PAL BGI  
SECAM BGLL'



2x20 W  
8 $\Omega$



CL 16532020/011  
250591

1	4822 458 40553	Woofler grill	20	4822 404 30709	Degaussing coil clip
2	4822 454 12749	Indication strip	21	4822 404 30869	Degaussing coil bracket
3	4822 432 10997	Control panel	22	4822 502 12865	Picture tube spindle
4	4822 458 50366	Full width grill	23	4822 505 10903	Picture tube nut
5	4822 445 10292	Loudspeaker box	24	4822 320 20172	EHT cable
6	4822 410 61347	Control knob assy	25	4822 157 63747	Degaussing coil
7	4822 438 50798	Cabinet	26	4822 131 20487	Picture tube A59EAK222X13
8	4822 438 40203	Rear cover	27		Not used
9	4822 502 13712	Screw 12x3 mm			
10	4822 432 92785	Mains switch cover			
11	4822 276 12916	Mains switch		4822 218 21079	Remote control RC6512
	4822 053 21915	Res. 9M1 on mains switch		4822 432 92761	Battery cover RC6502/RC651
12		Not used		4822 432 92762	Top cover RC6502/RC6512
13	4822 404 31181	Mains module bracket			
14	4822 417 50252	Locking mechanism			
15	4822 432 92808	Door			
16	4822 410 61642	Mains knob			
17	4822 492 32656	Spring behind mains knob			
18		See item 4			
19	4822 240 70239	Tweeter			