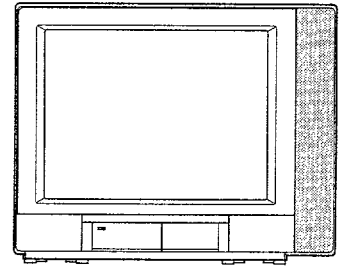


Service  
Service  
Service

25MN1355/39B

25MN1553/30B/33B/36B



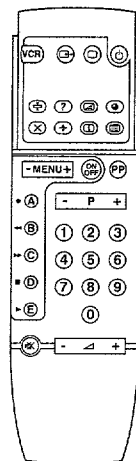
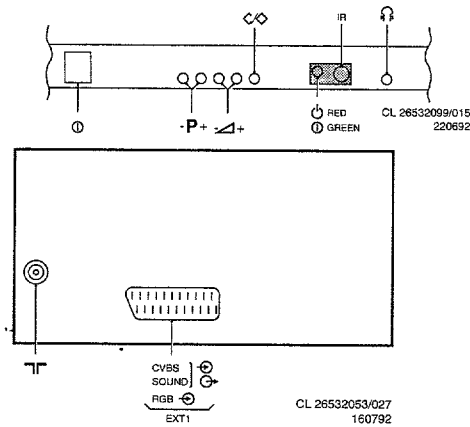
CL 26532053/026  
160792

# Service Manual

Safety regulations require that the set be restored to its original condition and that parts which are identical with those specified be used.

Les normes de sécurité exigent que l'appareil soit remis à l'état d'origine et que soient utilisées les pièces de rechange identiques à celles spécifiées.

## Chassis GR2.2

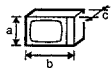


RC6511  
CL 26532053/029  
220692

RC6511



220-240 V (± 10%)  
140 W max.



axbxc  
25": 581x545x439 mm



-/39 : PAL BGI  
SECAM BGLL'

-/28/30/33/36 : PAL BG



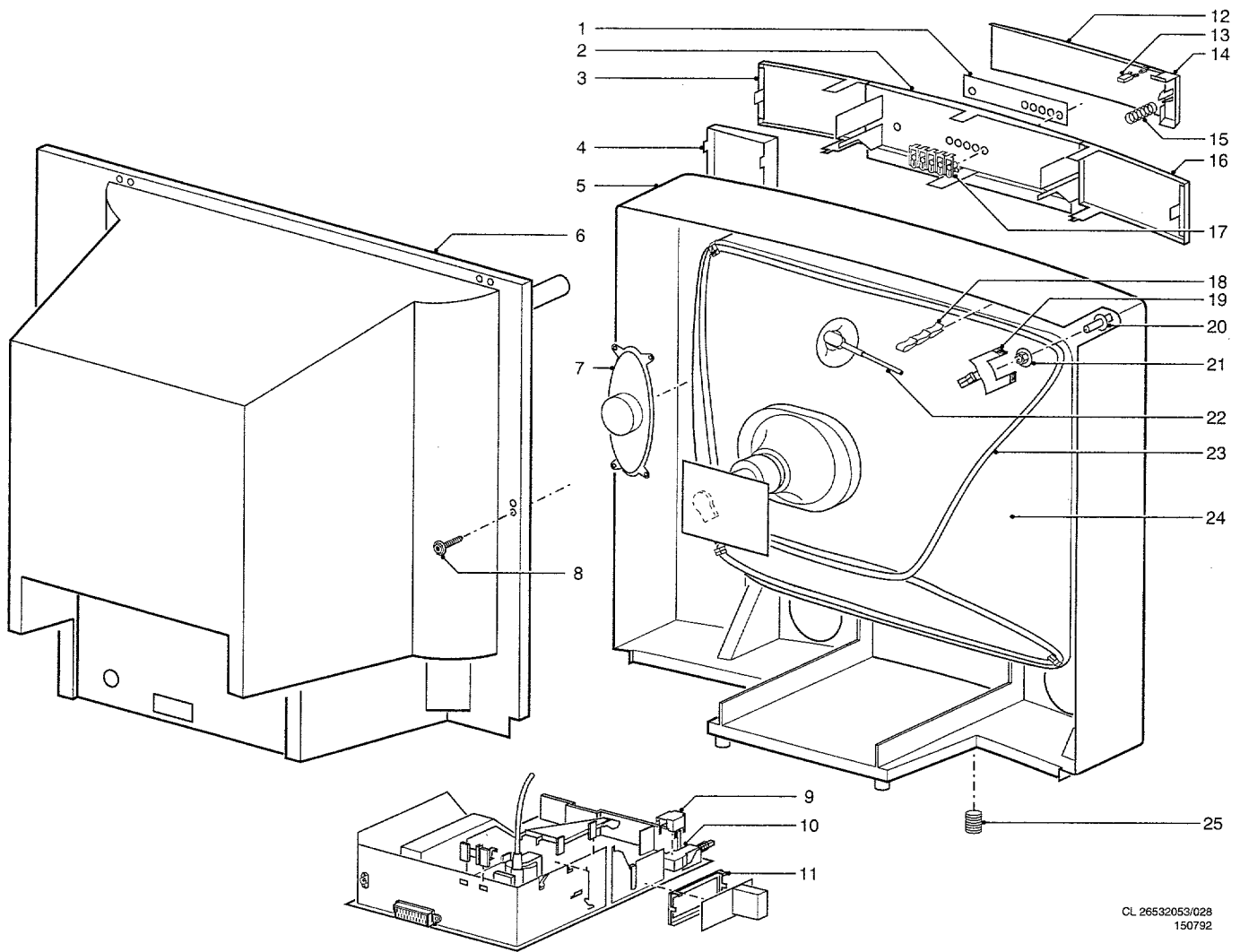
UV916: 45-855 MHz



1x10 W  
20Ω



PHILIPS



CL 26532053/028  
150792

1	4822 454 12749	Indication strip	16	4822 432 92831	Cover left
2	4822 432 10986	Control panel	17	4822 410 61347	Control knob assy
3	4822 432 92952	Cover right	18	4822 404 30709	Clip
4	4822 458 50446	Grill right	19	4822 404 30869	Degaussing coil bracket
5	4822 430 50854	Cabinet	20	4822 502 12865	Picture tube spindle
6	4822 438 40243	Rear cover	21	4822 505 10903	Picture tube nut
7	4822 240 20302	Loudspeaker	22	4822 320 20182	EHT cable assy
8	4822 502 13712	Screw 12x3 mm	23	4822 157 63747	Degaussing coil
9	4822 432 92785	Mains switch cover	24	4822 131 20482	Picture tube A59EAK71X03
10	4822 276 12916	Mains switch	25		Not used
	4822 053 21915	Res. 9M1 on mains switch			
11	4822 404 31181	Mains module bracket	4822 218 21095	Remote control RC6511	
12	4822 432 10945	Door	4822 432 92761	Battery cover	
13	4822 417 50252	Lock	4822 432 92762	Top cover	
14	4822 410 61702	Mains knob			
15	4822 492 32656	Spring behind mains knob			