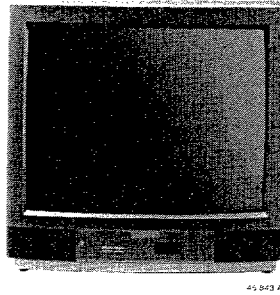


Service
Service
Service



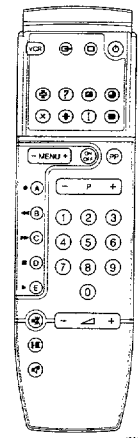
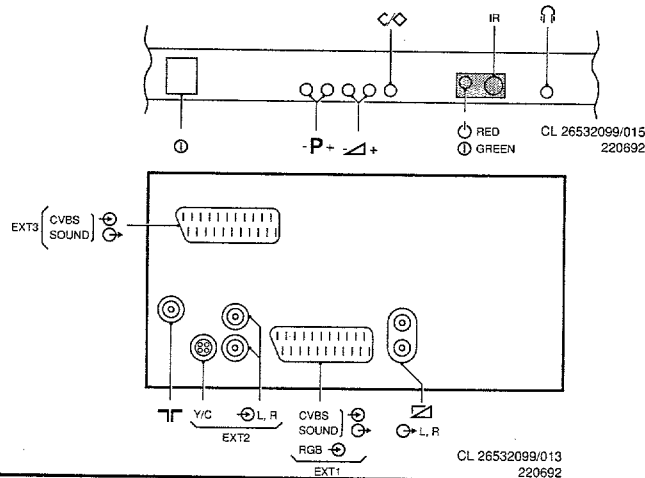
70NA2808/10B
288862SB/19R

Service Manual

Safety regulations require that the set be restored to its original condition and that parts which are identical with those specified be used.

Les normes de sécurité exigent que l'appareil soit remis à l'état d'origine et que soient utilisées les pièces de rechange identiques à celles spécifiées.

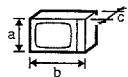
Chassis GR2.2



RC6512



220-240 V ($\pm 10\%$)
140 W max.



axbxc
28": 640x589x458 mm



-/02/03

: PAL BG

-/10

: PAL BG NICAM

-/19

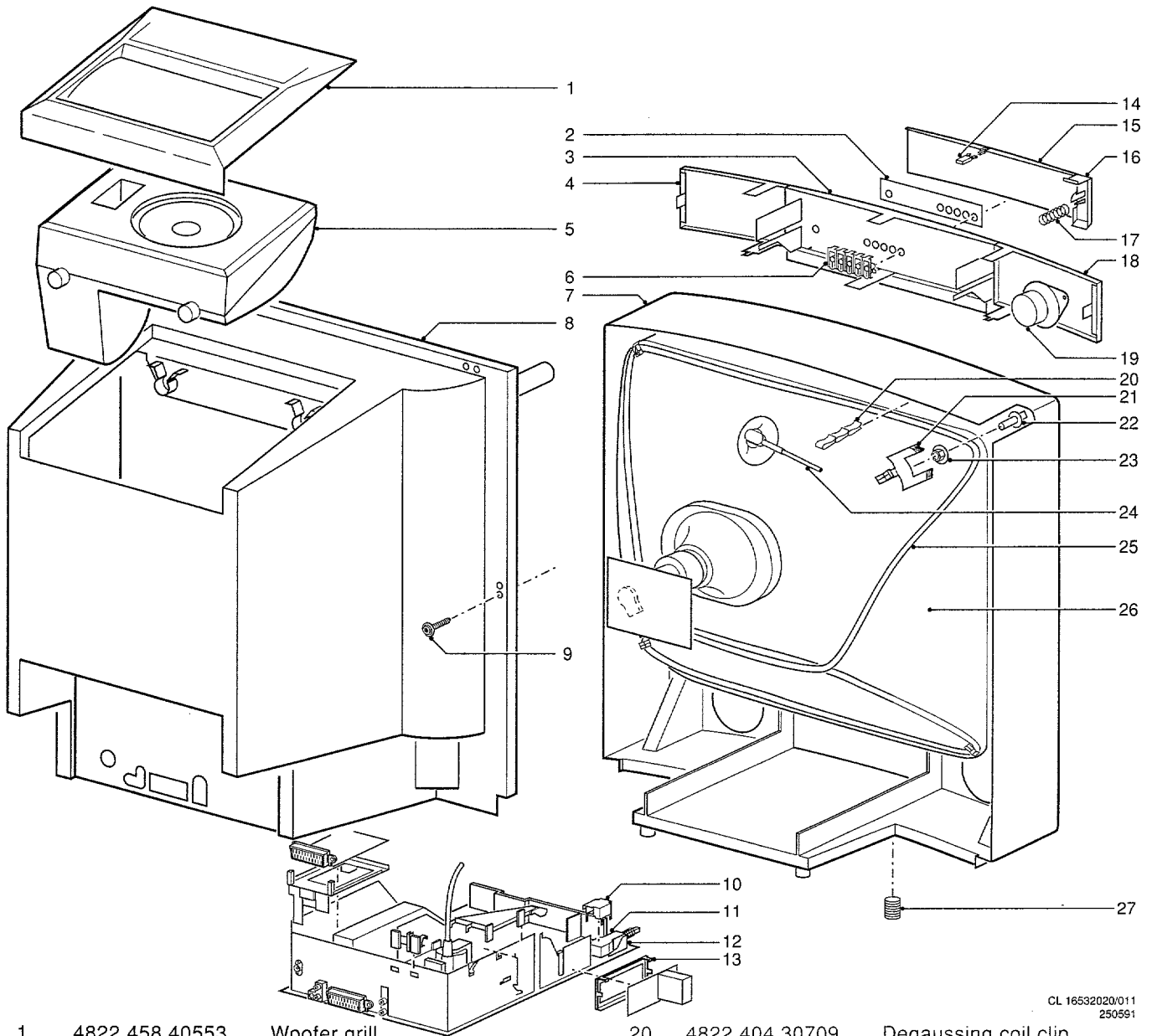
: PAL BGI
SECAM BGLL'



UV916: 45-889 MHz



2x20 W
8 Ω



CL 16532020/011
250591

1	4822 458 40553	Woofer grill	20	4822 404 30709	Degaussing coil clip
2	4822 454 12749	Indication strip	21	4822 404 30869	Degaussing coil bracket
3	4822 432 10997	Control panel	22	4822 502 12865	Picture tube spindle
4	4822 458 50367	Full width grill	23	4822 505 10903	Picture tube nut
5	4822 445 10292	Loudspeaker box	24	4822 320 20172	EHT cable
6	4822 410 61347	Control knob assy	25	4822 157 63752	Degaussing coil
7	4822 438 50799	Cabinet	26	4822 131 20317	Picture tube A66EAK22X13
8	4822 438 40204	Rear cover			
9	4822 502 13712	Screw 12x3 mm			
10	4822 432 92785	Mains switch cover	4822 218 21079	Remote control RC6512	
11	4822 276 12916	Mains switch	4822 432 92761	Battery cover RC6502/RC6512	
	4822 053 21915	Res. 9M1 on mains switch	4822 432 92762	Top cover RC6502/RC6512	
12		Not used			
13	4822 404 31181	Mains module bracket			
14	4822 417 50252	Locking mechanism			
15	4822 432 92808	Door			
16	4822 410 61642	Mains knob			
17	4822 492 32656	Spring behind mains knob			
18		See item 4			
19	4822 240 70239	Tweeter			