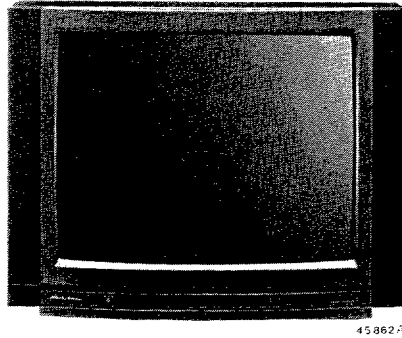


Service
Service
Service



45862A

08B/09B/10B/13B/16B

70NA2818/10B

70NA2876/18B

70NA2877/06B

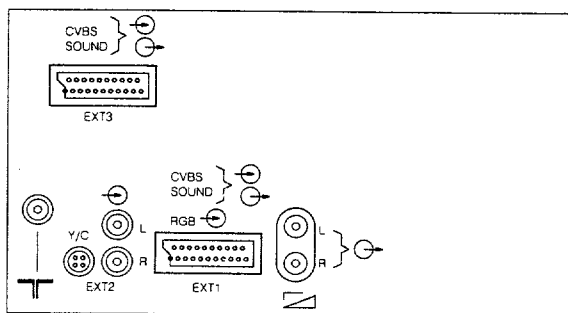
288372SB/02R/04R

Service Manual

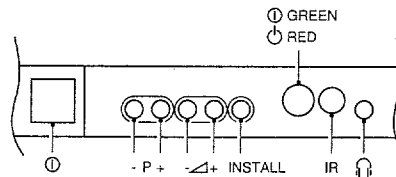
Safety regulations require that the set be restored to its original condition and that parts which are identical with those specified be used.

Les normes de sécurité exigent que l'appareil soit remis à l'état d'origine et que soient utilisées les pièces de rechange identiques à celles spécifiées.

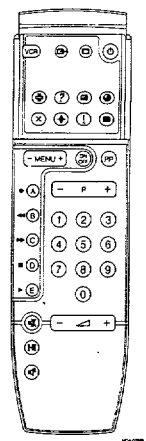
Chassis GR2.2



MDA 02983
T19/112



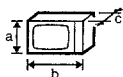
70NA1817
CL 16532097/033
070192



RC6512



220-240 V (± 10%)
140 W max.



axbxc
28": 743x555x458 mm



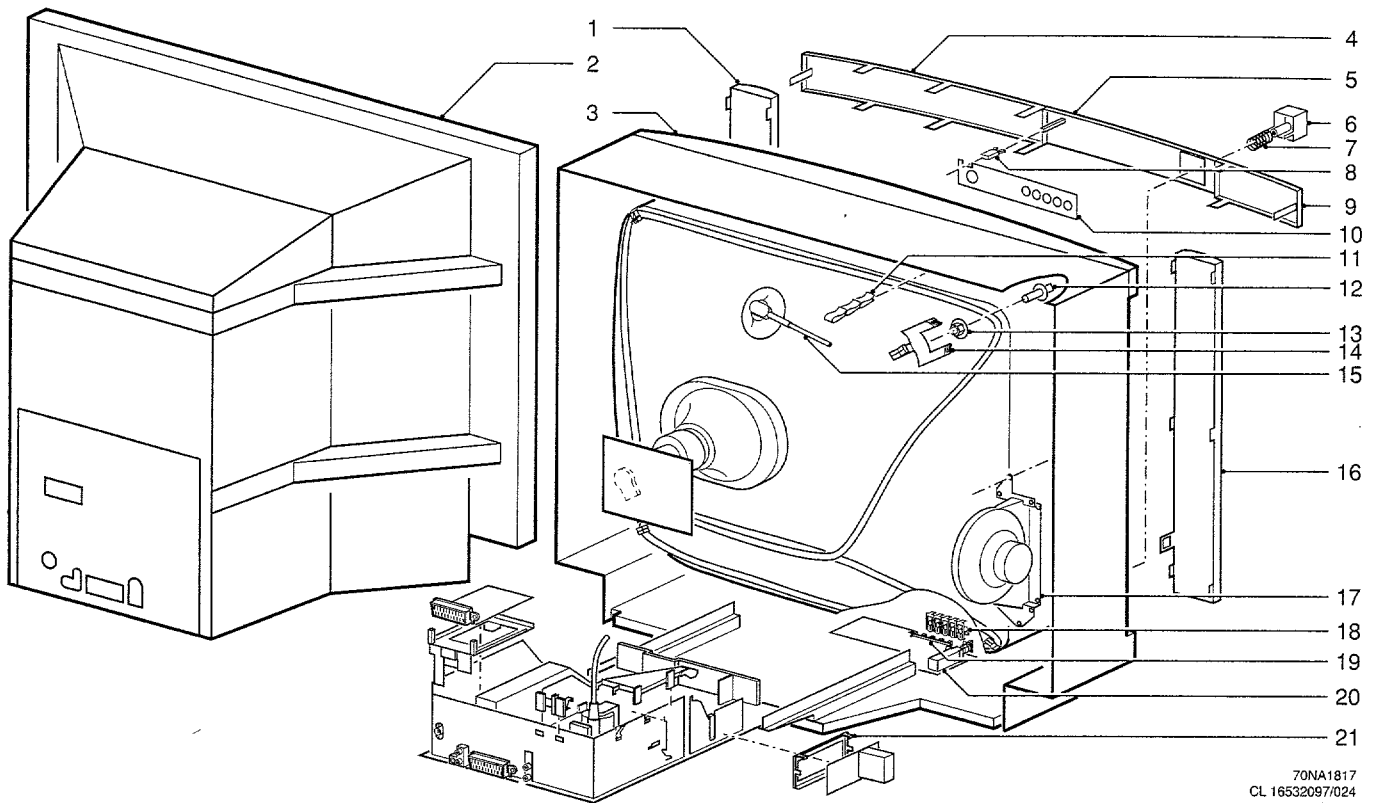
-/02/03/04/08/
09/10 : PAL BG
-/06/18 : PAL BGI
SECAM BGLL'
-/13/16 : PAL BG NICAM
70NA2818/10B



UV916: 45-889 MHz



2x20 W
8Ω



70NA1817
CL 16532097/024
121991

1	4822 458 50407	Grill right	14	4822 404 30869	Degaussing coil bracket
1	4822 458 50443	grill right for /02R	15	4822 320 20172	EHT cable
2	4822 438 40225	Rear cover	16	4822 458 50408	Grill left
3	4822 430 50849	Cabinet	16	4822 458 50442	Grill left for /02R
3	4822 430 50852	Cabinet for /04R	17	4822 240 40201	Loudspeaker assy right/left
3	4822 430 50853	Cabinet for /02R	18	4822 410 61347	Control knob assy
3	4822 430 50851	Cabinet for /13B	19	4822 276 50354	Switch assy for controls
4	4822 432 92942	Front cover right	20	4822 276 12597	Mains switch
4	4822 432 92944	Front cover right for /02R	21	4822 404 31181	Mains module bracket
4	4822 432 92943	Front cover right for /04R			
5	4822 432 92919	Door	4822 157 63752	Degaussing coil	
5	4822 432 92921	Door for /04R	4822 131 20472	Picture tube A66EAK222X13	
5	4822 432 92946	Door for /02R	4822 502 13712	Screw 12x3 mm	
6	4822 410 62033	Mains knob	4822 256 91886	Holder for CRT	
6	4822 410 62144	Mains knob for /02R	4822 218 21079	Remote control RC6512	
6	4822 410 62041	Mains knob for /04R	4822 432 92761	Battery cover RC6512	
7	4822 492 32656	Spring behind mains knob	4822 432 92762	Top cover RC6512	
8	4822 417 50252	Locking mechanism	4822 462 30542	PCB Guide for control unit	
9	4822 432 92939	Front cover left	4822 462 30543	PCB Guide right mono carrier	
9	4822 432 92945	Front cover left for /02R	4822 462 30544	PCB Guide left mono carrier	
9	4822 432 92941	Front cover left for /04R			
10	4822 460 10987	Indication strip			
11	4822 404 30709	Degaussing coil clip			
12	4822 502 12865	Picture tube spindle			
13	4822 505 10903	Picture tube nut			