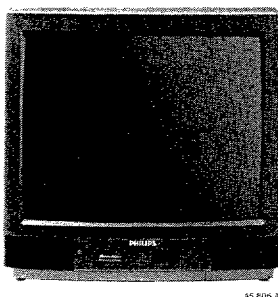


Service  
Service  
Service



10B/13B/16B

25ST2666/19B/42B

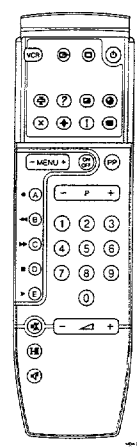
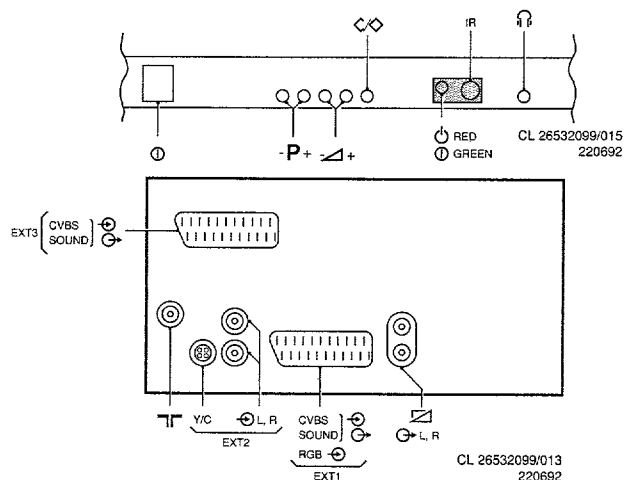
25ST2860/12B

# Service Manual

Safety regulations require that the set be restored to its original condition and that parts which are identical with those specified be used.

## CHASSIS GR2.2

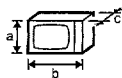
Les normes de sécurité exigent que l'appareil soit remis à l'état d'origine et que soient utilisées les pièces de rechange identiques à celles spécifiées.



RC6512



220-240 V ( $\pm 10\%$ )  
140 W max.



axbxc (mm)  
25": 581x545x439



- /08/10 : PAL BG
- /05 : PAL I NICAM
- /12/13/16 : PAL BG NICAM
- /19 : PAL BGI  
SECAM BGLL
- /42 : PAL BG  
SECAM BGDK



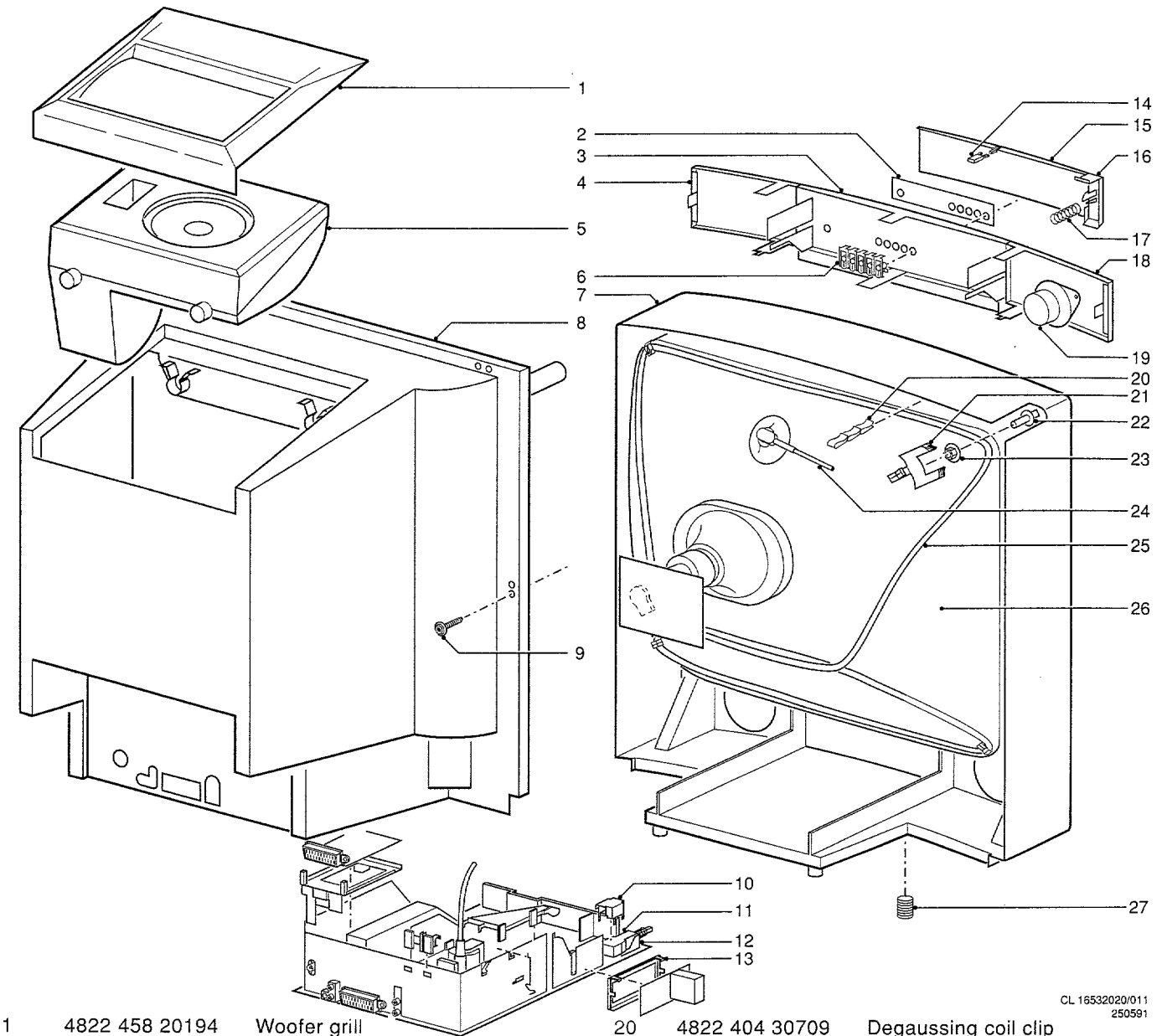
UV916: 45-889 MHz  
U944: 468-889 MHz



2 x 20W  
8 $\Omega$



# PHILIPS



CL 16532020/011  
250591

1	4822 458 20194	Woofer grill	20	4822 404 30709	Degaussing coil clip
2	4822 454 12749	Indication strip	21	4822 404 30869	Degaussing coil bracket
3	4822 432 92786	Control panel	22	4822 502 12865	Picture tube spindle
4	4822 458 50359	Grill right	23	4822 505 10903	Picture tube nut
5	4822 445 10292	Loudspeaker box	24	4822 320 20172	EHT cable
6	4822 410 61347	Control knob assy	25	4822 157 53067	Degaussing coil 25"
7	4822 438 50798	Cabinet	26	4822 131 20487	Picture tube A59EAK222X13
8	4822 438 40203	Rear cover	27	4822 532 61148	Insert fixing stand
9	4822 502 13712	Screw 12x3 mm			
10	4822 432 92785	Mains switch cover			
11	4822 276 12916	Mains switch	4822 218 21079	Remote control RC6512	
	4822 053 21915	Res. 9M1 on mains switch not used	4822 432 92761	Battery cover RC6512	
12			4822 432 92762	Top cover RC6512	
13	4822 404 31181	Mains module bracket	4822 462 10498	Stand (for /-05B)	
14	4822 417 50252	Locking mechanism			
15	4822 432 92787	Door			
16	4822 410 61448	Mains knob			
17	4822 492 32656	Spring behind mains knob			
18	4822 458 50358	Grill left			
19	4822 240 70239	Tweeter			