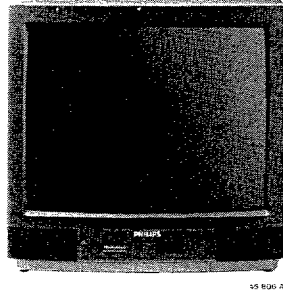


Service
Service
Service

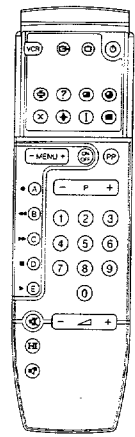
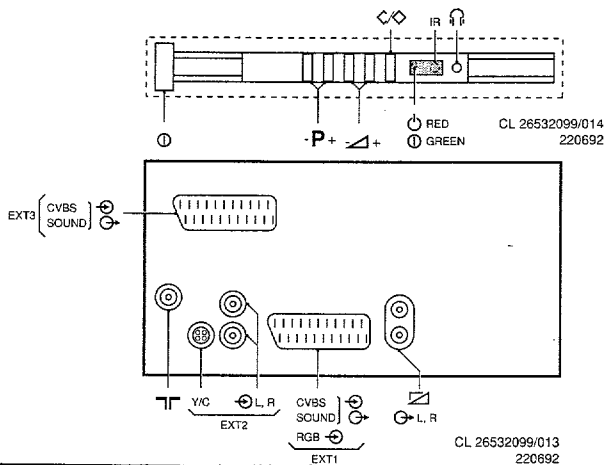


Service Manual

Safety regulations require that the set be restored to its original condition and that parts which are identical with those specified be used.

CHASSIS GR2.2

Les normes de sécurité exigent que l'appareil soit remis à l'état d'origine et que soient utilisées les pièces de rechange identiques à celles spécifiées.



RC6512



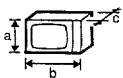
220-240 V (± 10%)
140 W max.



-/03/08 : PAL BG
-/18 : PAL BGI
SECAM BGLL'



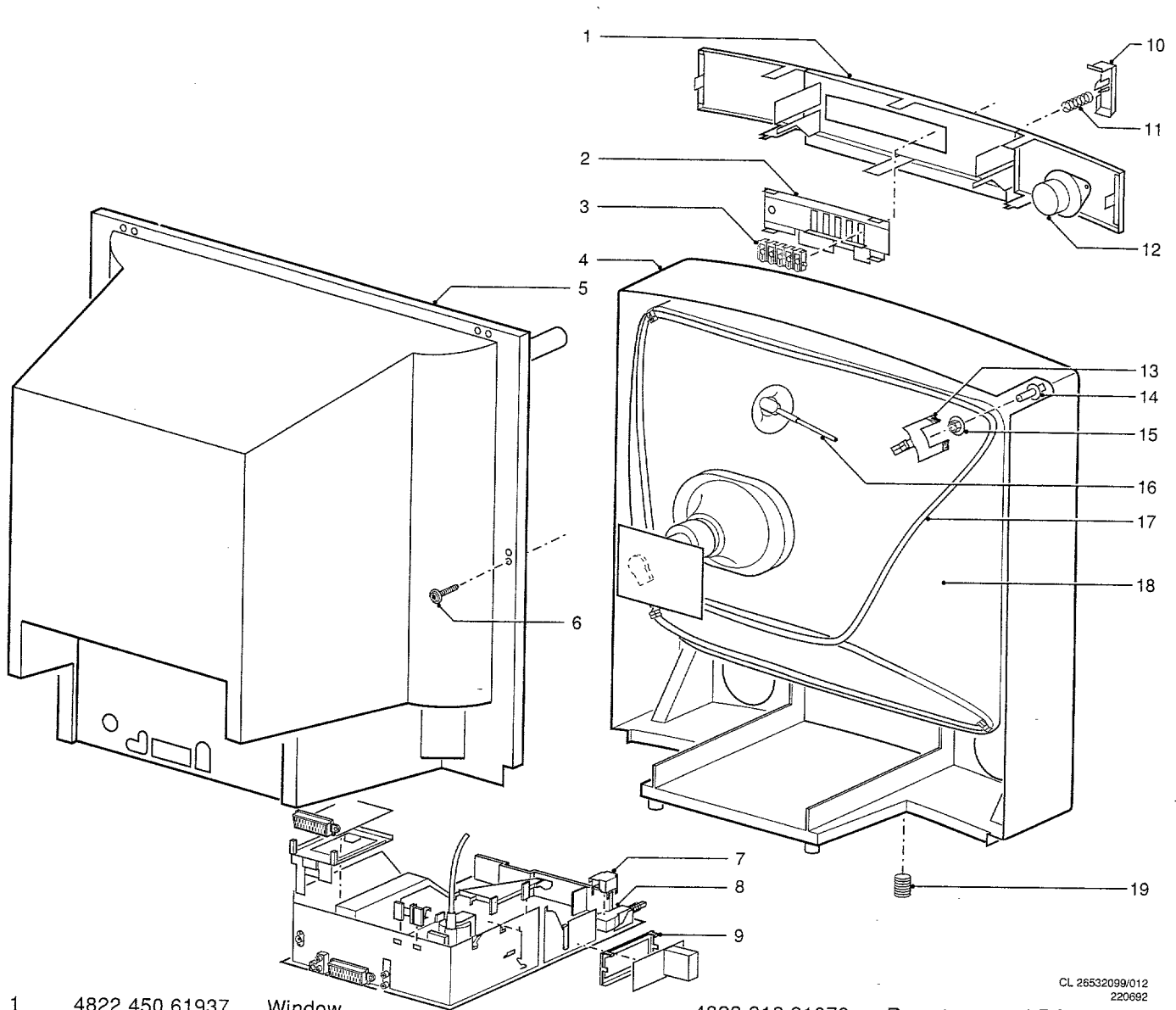
UV916: 45-889 MHz



axbxc (mm)
21": 527x474x485



2 x 10W
8Ω



CL 26532099/012
220692

- | | | | | |
|----|----------------|--------------------------|----------------|-----------------------|
| 1 | 4822 450 61937 | Window | 4822 218 21079 | Remote control RC6512 |
| 2 | 4822 432 10995 | Control panel | 4822 432 92761 | Battery cover RC6512 |
| 3 | 4822 464 70597 | Control knob assy | 4822 432 92762 | Top cover RC6512 |
| 4 | 4822 430 30207 | Cabinet 21" | | |
| 4 | 4822 430 30208 | Cabinet for -/05/13 | | |
| 5 | 4822 430 40213 | Rear cover 21" | | |
| 6 | 4822 502 13712 | Screw 12x3 mm | | |
| 7 | 4822 432 92785 | Mains switch cover | | |
| 8 | 4822 276 12916 | Mains switch | | |
| | 4822 053 21915 | Res. 9M1 on mains switch | | |
| 9 | 4822 404 31181 | Mains module bracket | | |
| 10 | 4822 410 62092 | Mains knob | | |
| 11 | 4822 492 32656 | Spring behind mains knob | | |
| 12 | 4822 240 20305 | Loudspeaker | | |
| 13 | 4822 404 30945 | Degaussing coil bracket | | |
| 14 | 4822 502 12865 | Picture tube spindle | | |
| 15 | 4822 505 10903 | Picture tube nut | | |
| 16 | not applicable | EHT cable | | |
| 17 | 4822 157 62613 | Degaussing coil | | |
| 18 | 4822 131 20324 | Picture tube A51EAM31X45 | | |
| 19 | 4822 532 61148 | Insert fixing stand | | |