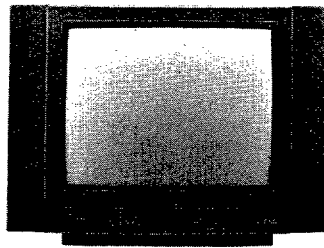


Service  
Service  
Service

/08B/10B/12B/13B/16B  
25ST2454/42B  
25ST2457/10B/42B



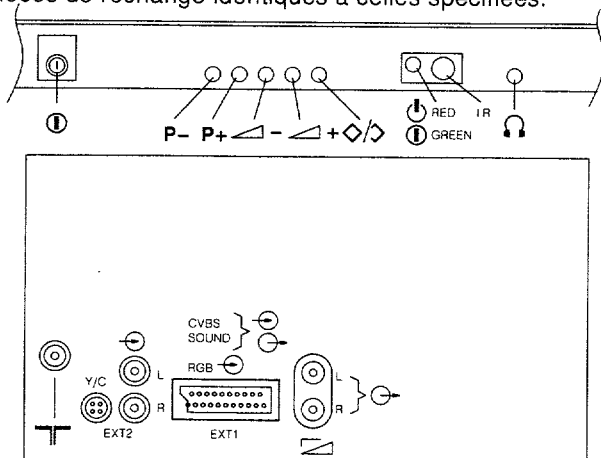
44 210 A11

# Service Manual

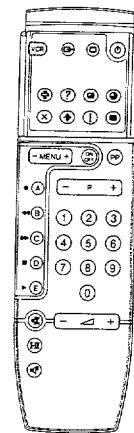
Safety regulations require that the set be restored to its original condition and that parts which are identical with those specified be used.

Les normes de sécurité exigent que l'appareil soit remis à l'état d'origine et que soient utilisées les pièces de rechange identiques à celles spécifiées.

## CHASSIS GR2.2



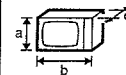
MDA 02983  
T:9/112



RC6512



220-240 V (± 10%)  
140W max.



axbxc (mm)  
25": 730x529x448



UV916: 45-855 MHz

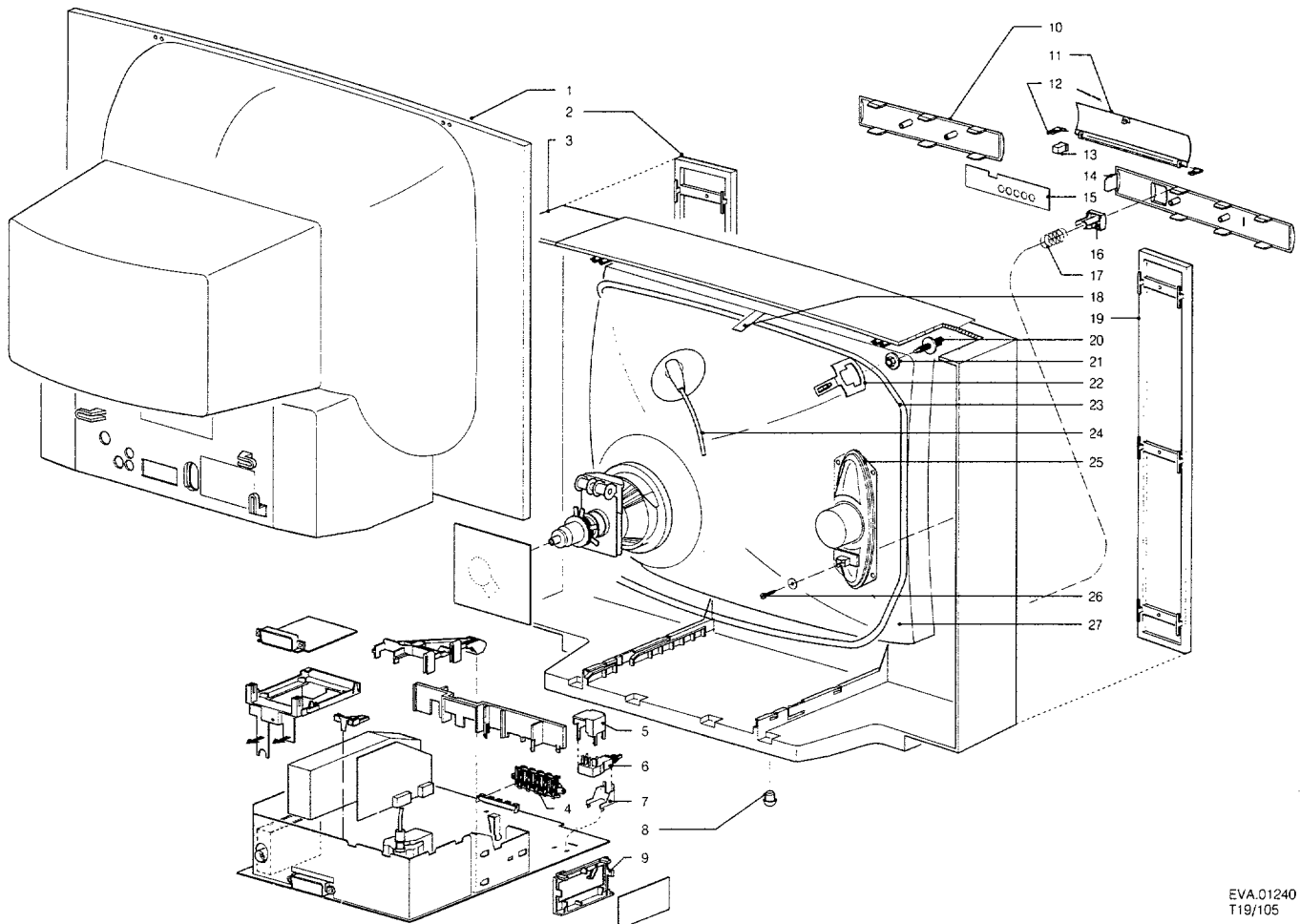
25ST2457/10B: PAL BGI  
SECAM BGLL'  
-/42B: PAL BG  
SECAM BGDK  
-/07B/ PAL I NICAM  
-/02B/08B/10B: PAL BG  
-/12B/13B/16B: PAL BG NICAM



2 x 20W  
8Ω



# PHILIPS



EVA.01240  
T19/105

- |    |                |                              |                |                |                             |
|----|----------------|------------------------------|----------------|----------------|-----------------------------|
| 1  | 4822 438 40238 | Rear cover 25"               | 19             | 4822 458 50432 | Grill left 25"              |
| 2  | 4822 458 50431 | Grill right 25"              | 20             | 4822 502 12865 | Picture tube spindle        |
| 3  | 4822 430 50839 | Cabinet 25"                  | 21             | 4822 505 10903 | Picture tube nut            |
| 3  | 4822 430 50841 | Cabinet 25" for 25ST2451/13B | 22             | 4822 404 30869 | Degaussing coil bracket     |
| 4  | 4822 410 61347 | Control knob assy            | 23             | 4822 157 63747 | Degaussing coil 25"         |
| 5  | 4822 432 92785 | Mains switch cover           | 24             | 4822 320 20182 | EHT cable assy              |
| 6  | 4822 276 12916 | Mains switch                 | 25             | 4822 240 40162 | Loudspeaker assy right/left |
| 6  | 4822 053 21915 | Res. 9M1(on mains switch)    | 26             | 4822 502 30672 | Screw 10x3 mm               |
| 7  |                | Not used                     | 26             | 4822 502 13712 | Screw 12x3 mm               |
| 8  | 4822 462 71537 | Foot                         | 27             | 4822 131 20482 | picture tube A59EAK71X03    |
| 9  | 4822 404 31181 | Bracket fixing mains module  | 4822 218 21079 |                | Remote control RC6512       |
| 10 | 4822 432 92929 | Front cover right 25"        | 4822 432 92761 |                | Battery cover RC6512        |
| 11 | 4822 432 92748 | Door                         | 4822 432 92762 |                | Top cover RC6512            |
| 12 | 4822 432 92754 | Hinge                        |                |                |                             |
| 13 | 4822 417 50252 | Locking mechanism            |                |                |                             |
| 14 | 4822 432 92928 | Front cover left 25"         |                |                |                             |
| 15 | 4822 454 12742 | Indication strip             |                |                |                             |
| 16 | 4822 410 62032 | Mains knob                   |                |                |                             |
| 17 | 4822 492 32656 | Spring behind mains knob     |                |                |                             |
| 18 | 4822 404 30709 | Degaussing coil clip         |                |                |                             |