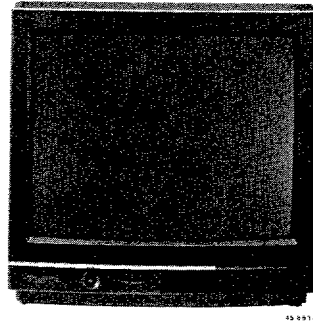


Service
Service
Service



63CA1505/23B/28B/
33B/36B

63CA1563/38B
70CA1703/28B/29B/
30B

70CA1705/23B/28B/
33B/36B

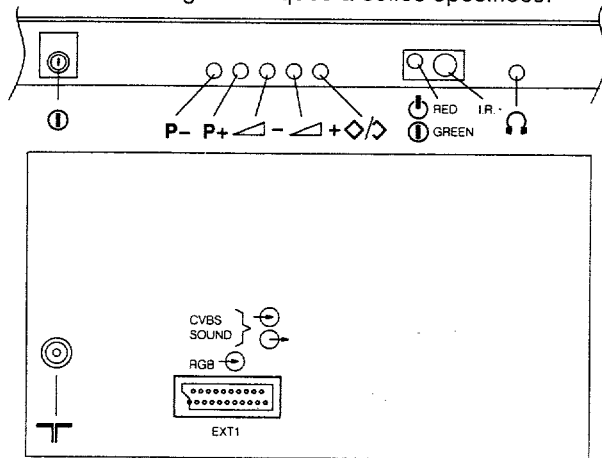
70CA1763/38B
255251CB/24R
255831CB/39R/42R
287231CB/24R/34R
287831CB/39R

Service Manual

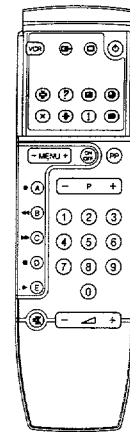
Safety regulations require that the set be restored to its original condition and that parts which are identical with those specified be used.

Les normes de sécurité exigent que l'appareil soit remis à l'état d'origine et que soient utilisées les pièces de rechange identiques à celles spécifiées.

CHASSIS GR2.2



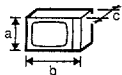
MDA.02983



RC6511



220-240 V (± 10%)
115W max.



axbxc (mm)
25": 581x545x439
28": 640x589x458



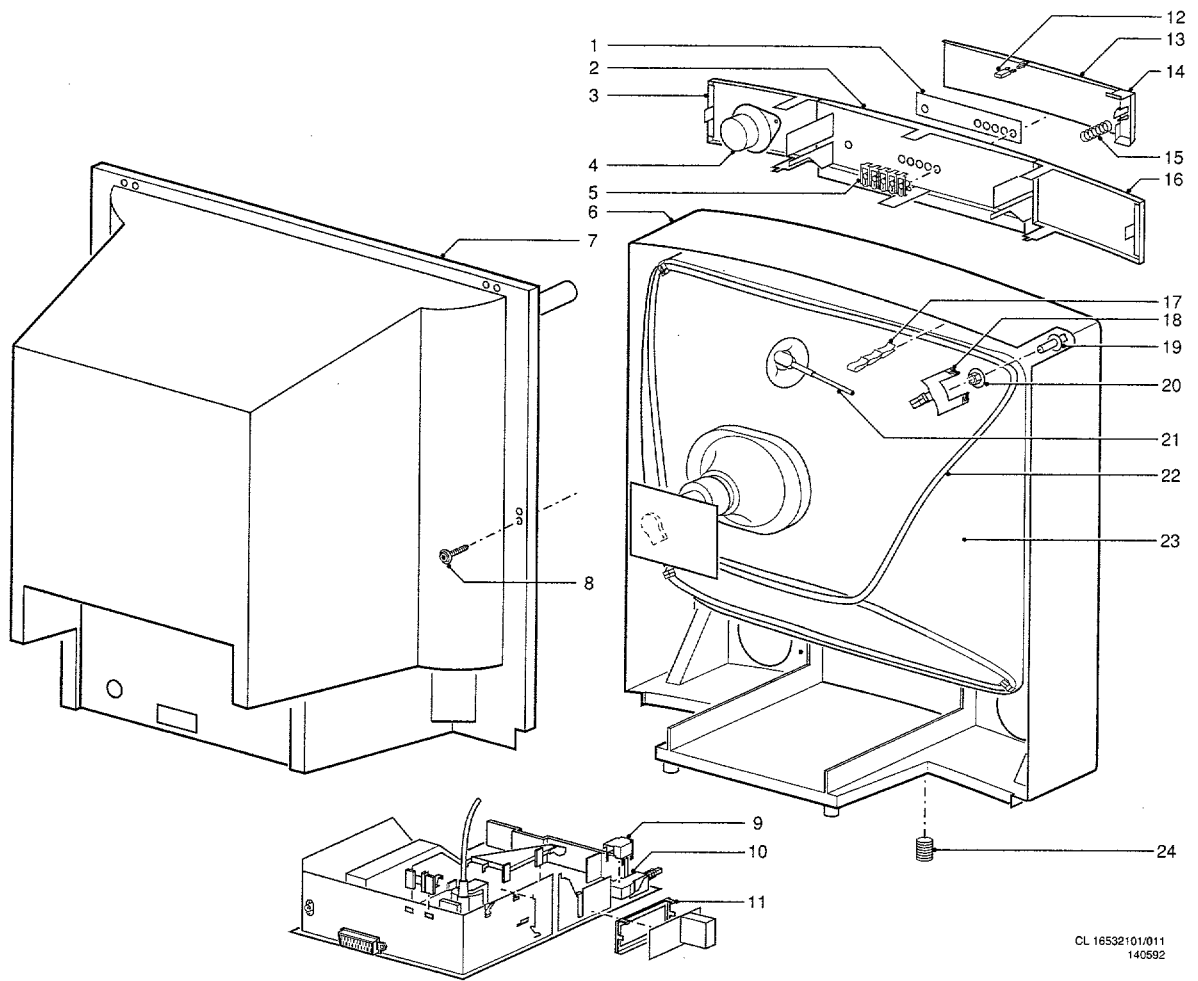
/42 : PAL BG/SECAM BG DK
/23/24/28/29
/30/33/34/36 : PAL BG
/37
/38/39 : PAL BGI
SECAM BGLL'



UV916: 45-889 MHz



1 x 10W
20Ω



CL 16532101/011
140692

- | | | | | | |
|----|----------------|-----------------------|----------------|-----------------------|-------------------------------------|
| 1 | 4822 460 10985 | Indication strip | 13 | 4822 432 92829 | Door |
| 2 | 4822 432 10941 | Control panel | 13 | 4822 432 92843 | Door (-/R) |
| 2 | 4822 432 10946 | Control panel (-/R) | 14 | 4822 410 61696 | Mains knob |
| 3 | 4822 458 50377 | Grill right 25" | 14 | 4822 410 61707 | Mains knob (-/R) |
| 3 | 4822 458 50382 | Grill right 25" (-/R) | 15 | 4822 492 32656 | Spring behind mains knob |
| 3 | 4822 458 50381 | Grill right 28" | 16 | 4822 432 92833 | Cover left |
| 3 | 4822 458 50383 | Grill right 28" (-/R) | 17 | 4822 404 30709 | Clip |
| 4 | 4822 240 20302 | Loudspeaker | 18 | 4822 404 30869 | Degaussing coil bracket |
| 5 | 4822 410 61706 | Knob assy 5x | 19 | 4822 502 12865 | Picture tube spindle |
| 6 | 4822 430 50814 | Cabinet 25" | 20 | 4822 505 10903 | Picture tube nut |
| 6 | 4822 430 50817 | Cabinet 25" (-/R) | 21 | 4822 320 20182 | EHT cable |
| 6 | 4822 430 50815 | Cabinet 28" | 22 | 4822 157 63747 | Degaussing coil 25" |
| 6 | 4822 430 50816 | Cabinet 28" (-/R) | 22 | 4822 157 63752 | Degaussing coil 28" |
| 7 | 4822 438 40216 | Rear cover 25" | 23 | 4822 131 20482 | Picture tube CTV
A59EAK71X03 25" |
| 7 | 4822 438 40217 | Rear cover 28" | 23 | 4822 131 20481 | Picture tube CTV
A66EAK71X03 28" |
| 8 | 4822 502 13712 | Screw 12x3 mm | 24 | 4822 532 61148 | Insert fixing stand |
| 9 | 4822 432 92785 | Mains switch cover | 4822 218 21096 | Remote control RC6511 | |
| 10 | 4822 276 12916 | Mains switch | 4822 432 92761 | Battery cover | |
| 11 | 4822 404 31181 | Mains module bracket | 4822 432 92762 | Top cover | |
| 12 | 4822 417 50252 | Lock | | | |