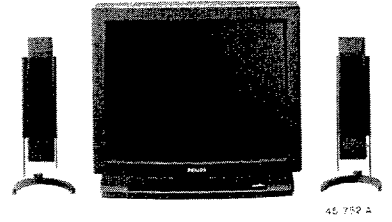


Service
Service
Service



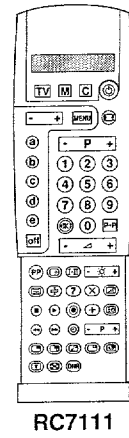
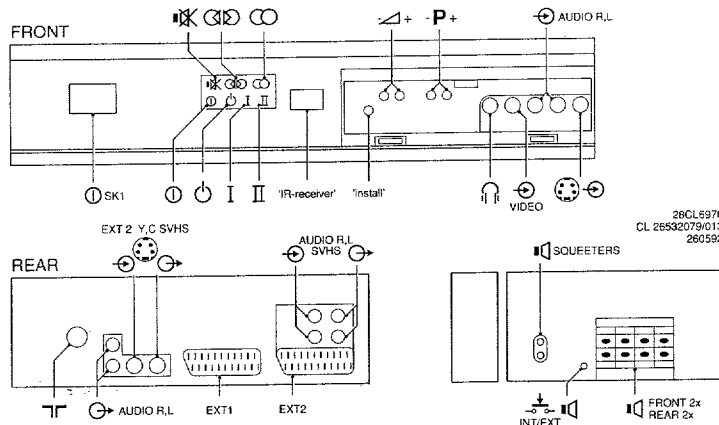
45 752 A

Service Manual

Safety regulations require that the set be restored to its original condition and that parts which are identical with those specified be used.

CHASSIS FL1.6

Les normes de sécurité exigent que l'appareil soit remis à l'état d'origine et que soient utilisées les pièces de rechange identiques à celles spécifiées.



28ML8805
CL 26532079/012
260592

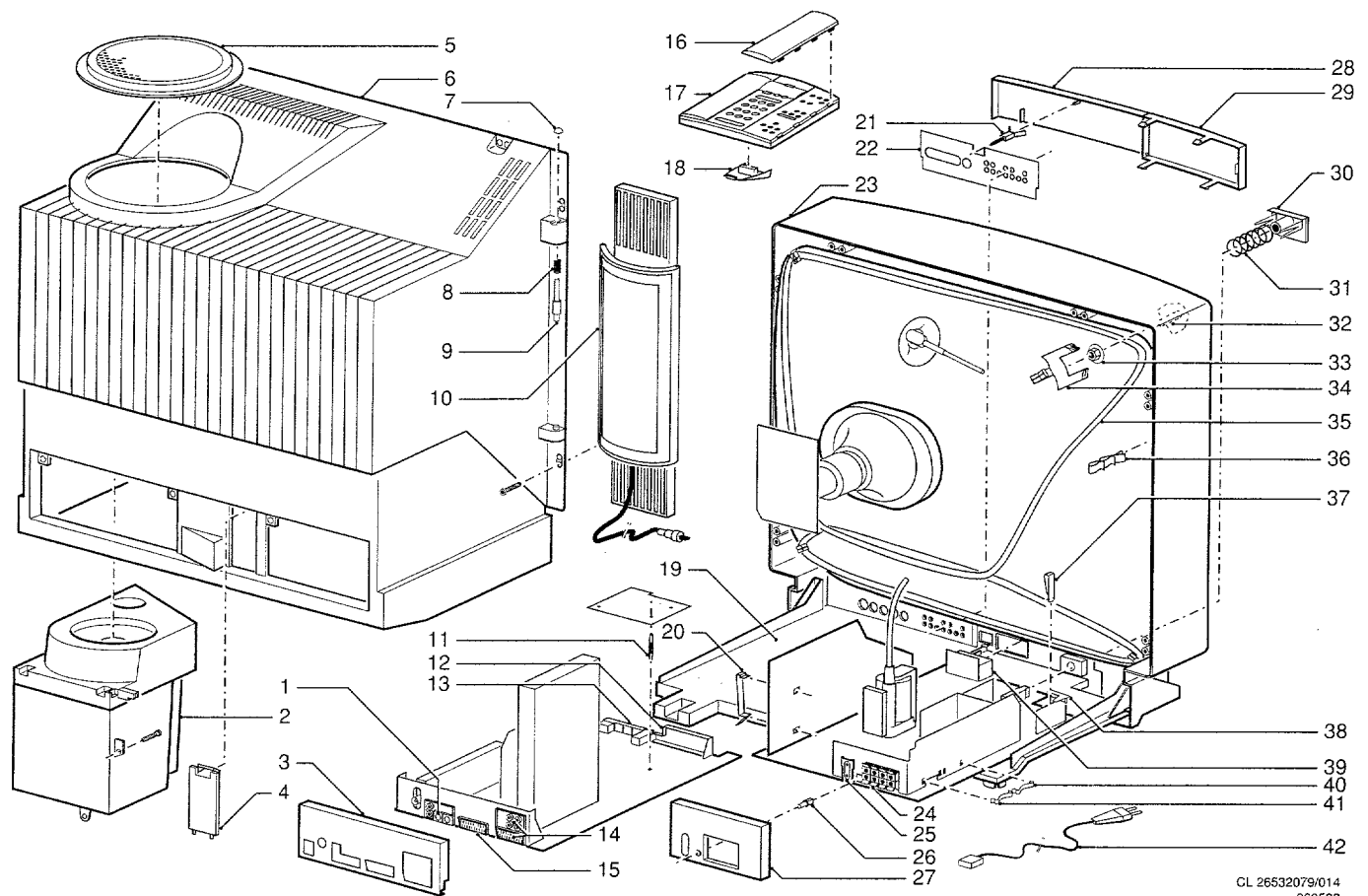
- 220-240 V (± 10%)
149 W Celenec
- A66EAK222X43
- axbxc
645x582x475 mm
- 2 x 20 W
2 x squeeeter 8Ω
1 x subwoofer 16Ω
- Front 2 x 16 W/8Ω
Rear 2 x 4 W/8Ω

	FO844/IF	FO816/ME/IF	FO816/MF/IF	OPTION 1	OPTION 2
28ML8800/02B	X	X	018	071	
28ML8800/05B	X	X	081	103	
28ML8800/08B	X	X	018	071	
28ML8800/19B		X	020	071	

	FO844/IF	FO816/ME/IF	FO816/MF/IF	OPTION 1	OPTION 2
28ML8805/00B		X	026	071	
28ML8805/02B		X	026	071	
28ML8805/06B		X	026	071	
28ML8805/07B		X	092	103	
28ML8805/08B		X	026	071	
28ML8805/10B		X	090	103	
28ML8805/13B		X	090	103	
28ML8805/16B		X	090	103	
28ML8805/19B		X	028	071	
28ML8805/42B		X	058	071	



PHILIPS



CL 26532079/014
260592

1	4822 267 41005	Cinch/SVHS connector	26	4822 410 25036	Mute knob
2	4822 445 10283	LS box subwoofer	27	4822 432 92743	Cover LSP
3	4822 432 92767	Cover SSP	28	4822 432 92922	Door
4	4822 432 92693	Door in backcover	29	4822 432 92741	Cover
5	4822 462 71765	Grill for subwoofer	30	4822 410 61284	Mains knob
6	4822 438 40234	Backcover	31	4822 492 52297	Spring
7	4822 462 41813	Cap for hinge	32	4822 535 92924	Spindle
8	4822 492 52247	Spring for hinge	33	4822 505 10903	Nut
9	4822 535 93227	Pin for hinge	34	4822 404 30869	Bracket
10	4822 445 10282	LS box squeeter	35	4822 157 62803	Degaussing coil
11	4822 466 92954	Spacer	36	4822 404 30709	Clamp
12	4822 218 21084	Keyboard	37	4822 492 62076	Spring
13	4822 267 41004	Headph./cinch conn.	38	4822 404 31167	Bracket for mains cord
14	4822 267 20427	Euro/cinch connector	39	4822 466 93002	LED block
15	4822 267 51058	Euroconnector	40	4822 492 70143	Spring
16	4822 432 92716	Door right	41	4822 492 70788	Spring
17	4822 432 92715	Door left	42	4822 321 10736	Mains cord
18	4822 432 92714	Battery lid		4822 403 70661	Rotation point for LS box
19	4822 432 92691	Bottom plate		4822 404 31179	Bracket for LS box left
20	4822 492 70789	Spring		4822 404 31178	Bracket for LS box right
21	4822 417 50258	Locking-unit		4822 462 10509	Stand for squeeter box
22	4822 454 12836	Ornamental plate		4822 131 20486	Picture tube
23	4822 430 50789	Cabinet		4822 218 21108	Remote control RC7111
24	4822 290 60812	Connector for LS		4822 218 21109	Remote control RC7112
25	4822 267 20417	Socket for LS		4822 218 21026	Remote control RC6804