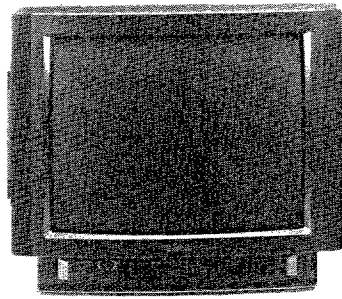


Service
Service
Service



25PV7966/20S/30S/33S/36S/39S

28PV7970/20S/30S

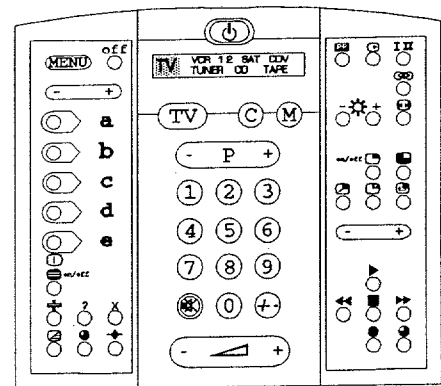
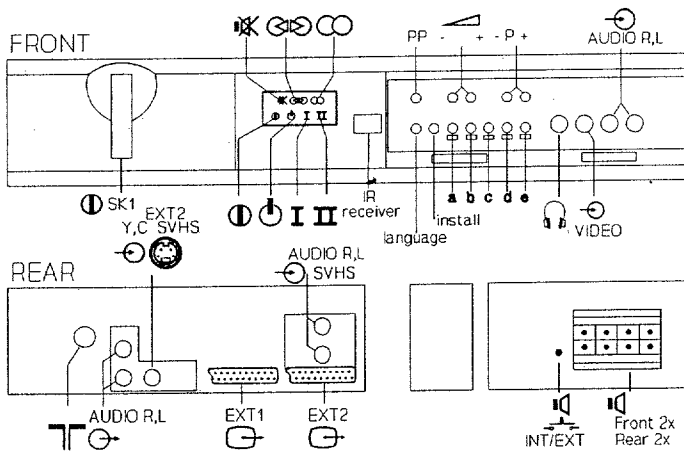
28PV7976/20S/30S/33S/36S/39S

Service Manual

Safety regulations require that the set be restored to its original condition and that parts which are identical with those specified be used.

Chassis FL1.0

Les normes de sécurité exigent que l'appareil soit remis à l'état d'origine et que soient utilisées les pièces de rechange identiques à celles spécifiées.



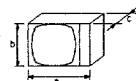
RC6413



220-240 V (± 10%)
25" 105W Cenelec
28" 110W Cenelec



25" A59AEK222X13
28" A66AEK222X13



a x b x c
25" 666x534x440mm
28" 726x580x472mm



2 x 12 W
2 x squeeeter 8Ω
1 x subwoofer 16Ω



Front 2 x 12 W/8Ω
Rear 2 x 3 W/8Ω

Published by Consumer Electronics Printed in The Netherlands ©Copyright reserved Subject to modification

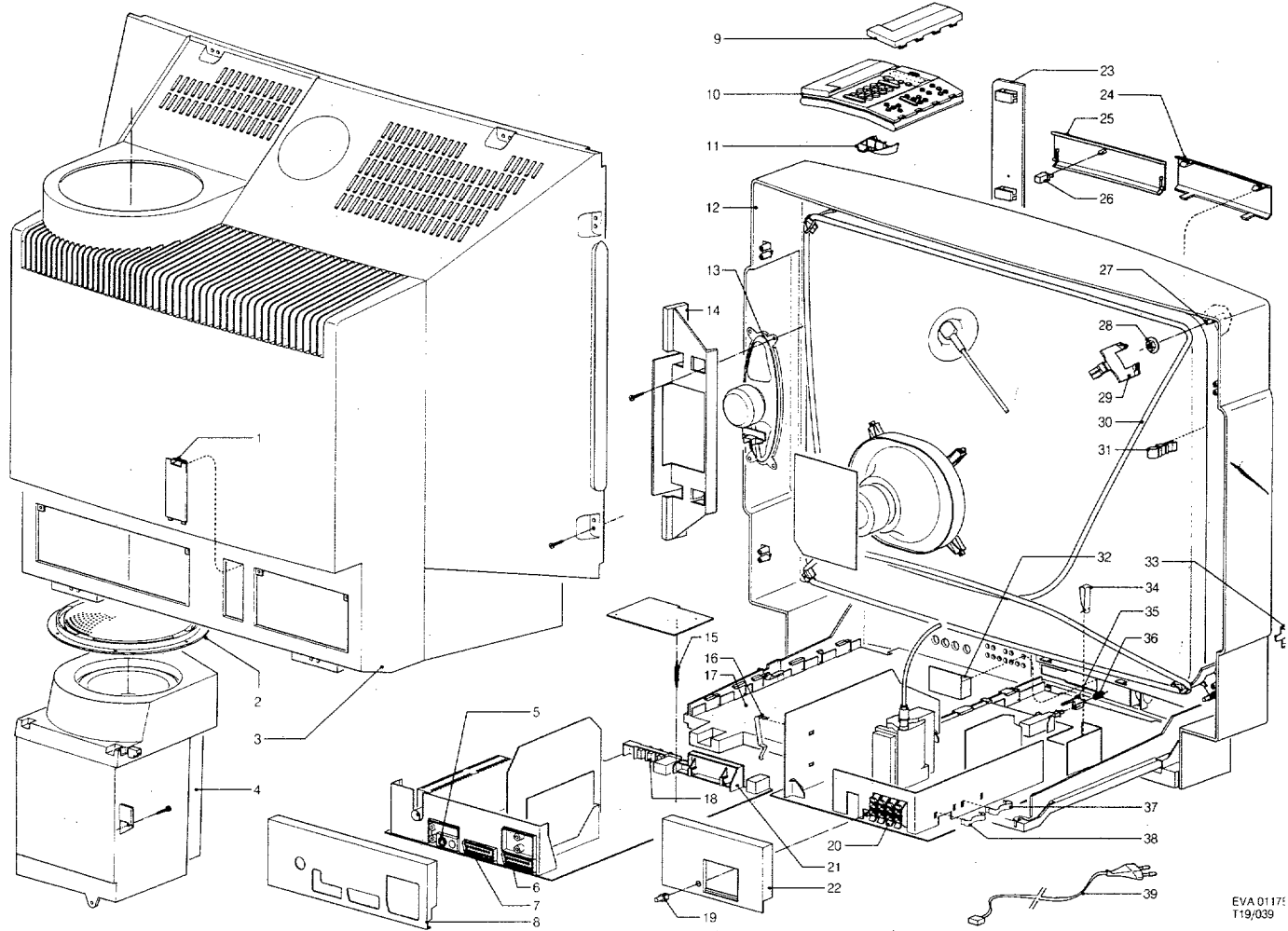
4822 727 19141

	FO816/IF	FO816/ME/IF	FO816/ME/IF	FO816/IF	FO844
25PV7960/20S	X			008 001	
25PV7960/30S	X			072 033	
25PV7966/20S		X		026 001	
25PV7966/30S		X		090 033	
25PV7966/33S		X		090 033	
25PV7966/36S		X		090 033	
25PV7966/39S			X	028 001	

	FO816/IF	FO816/ME/IF	FO816/ME/IF	FO844
28PV7970/20S	X			008 001
28PV7970/30S	X			072 033
28PV7976/20S		X		026 001
28PV7976/30S		X		090 033
28PV7976/33S		X		090 033
28PV7976/36S		X		090 033
28PV7976/39S			X	028 001



PHILIPS



EVA 01175
T19/039

1	4822 432 92693	Door in backcover	23	25"	4822 458 50355	Grill left/right
2	4822 462 71713	Grill for subwoofer	23	28"	4822 458 30594	Grill left/right
3	25" 4822 438 40188	Backcover	24		4822 432 92692	Cover
3	28" 4822 438 40179	Backcover	25		4822 432 92696	Door
4	4822 445 10265	LS box subwoofer	26		4822 417 50258	Locking-unit
5	4822 267 20409	Cinch/SVHS connector	27	25"	4822 535 92924	Spindle
6	4822 267 20411	Euro/cinch connector	27	28"	4822 535 12865	Spindle
7	4822 267 51058	Euroconnector	28		4822 505 10903	Nut
8	4822 432 92763	Cover SSP	29		4822 404 30869	Bracket
9	4822 432 92716	Door right	30	25"	4822 157 62986	Degaussing coil
10	4822 432 92715	Door left	30	28"	4822 157 62803	Degaussing coil
11	4822 432 92714	Battery lid	31		4822 404 30709	Clamp
12	25" 4822 430 50783	Cabinet	32		4822 466 93002	LED block
12	28" 4822 430 50781	Cabinet	33		4822 410 60962	Mains knob
13	4822 240 70225	Squeeter	34		4822 492 62076	Spring
14	25" 4822 404 31164	Bracket	35		4822 404 31156	Switch extension
14	28" 4822 404 31157	Bracket	36		4822 492 52218	Spring
15	4822 466 92954	Spacer	37		4822 492 70143	Spring 10x33mm
16	4822 492 70789	Spring	38		4822 492 70788	Spring
17	4822 432 92691	Bottom plate	39		4822 321 10736	Mains cord
18	4822 267 20408	Headph./cinch connector	25"		4822 131 20487	Picture tube
19	4822 410 25036	Mute knob	28"		4822 131 20472	Picture tube
20	4822 290 60812	Connector for LS			4822 218 21067	RC Transmitter RC6413
21	4822 218 21075	Keyboard				
22	4822 432 92695	Cover LSP				