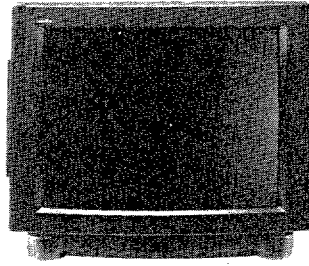


Service
Service
Service



45 C77 A14

25SL5766/20S/30S/33S/36S/39S

28SL5770/20S/25S

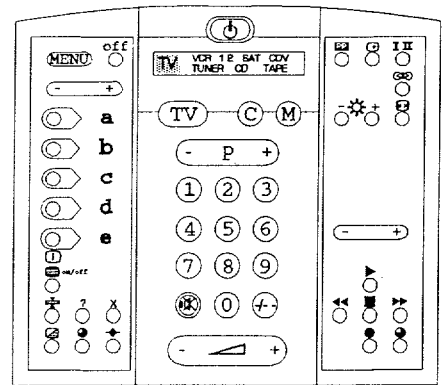
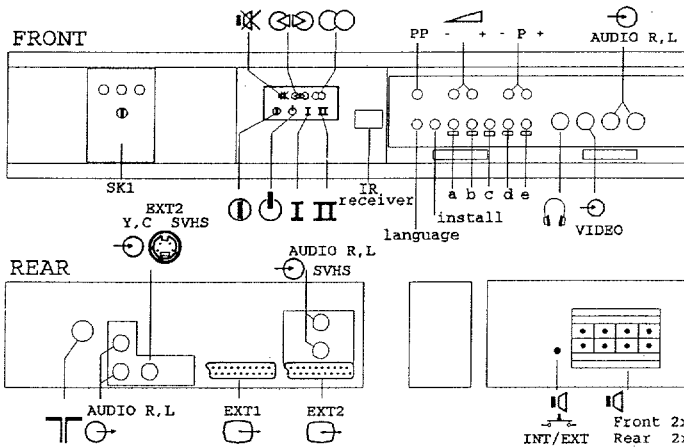
28SL5776/20S/30S/33S/36S/39S

Service Manual

Safety regulations require that the set be restored to its original condition and that parts which are identical with those specified be used.

Chassis FL1.0

Les normes de sécurité exigent que l'appareil soit remis à l'état d'origine et que soient utilisées les pièces de rechange identiques à celles spécifiées.



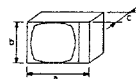
RC6414



220-240 V (± 10%)
25" 105W Cenelec
28" 110W Cenelec



25" A59AEK222X13
28" A66AEK222X13



a x b x c
25" 666x534x440mm
28" 726x580x472mm



2 x 12 W
2 x squeeeter 8Ω
1 x subwoofer 16Ω



Front 2 x 12 W/8Ω
Rear 2 x 3 W/8Ω

Published by Consumer Electronics Printed in The Netherlands ©Copyright reserved Subject to modification

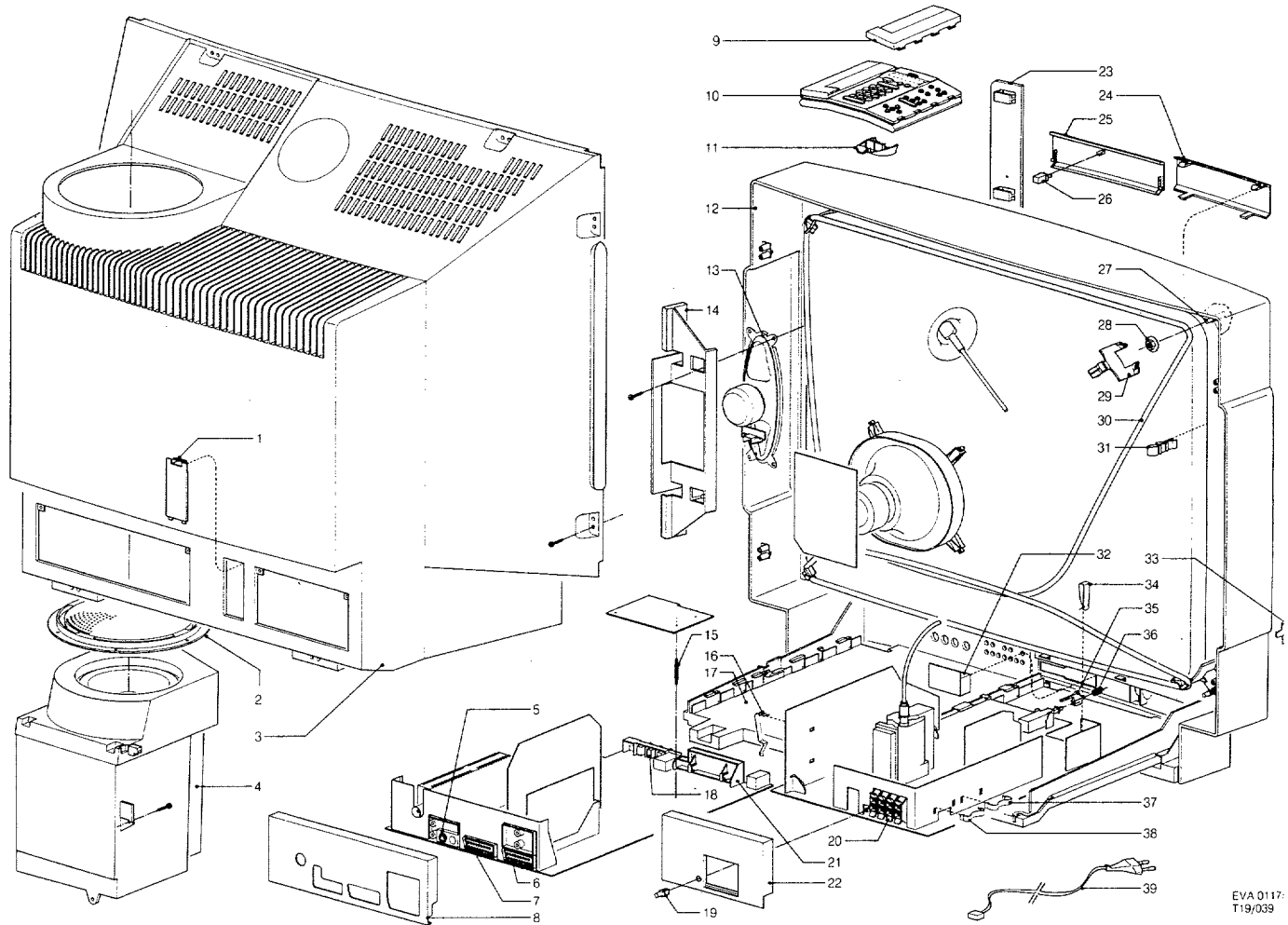
	FO816/IF	FO816/ME/IF	FO816/IF	FO844	OPTION 1	OPTION 2
25SL5760/20S	X				000 001	
25SL5760/25S	X				065 033	
25SL5760/30S	X				064 033	
25SL5766/20S		X			018 001	
25SL5766/30S		X			082 033	
25SL5766/33S		X			082 033	
25SL5766/36S		X			082 033	
25SL5766/39S			X		020 001	

	FO816/IF	FO816/ME/IF	FO816/IF	FO844	OPTION 1	OPTION 2
28SL5770/20S	X				000 001	
28SL5770/25S	X				065 001	
28SL5776/20S		X			018 001	
28SL5776/30S		X			082 033	
28SL5776/33S		X			082 033	
28SL5776/36S		X			082 033	
28SL5776/39S			X		020 001	

4822 727 19139



PHILIPS



EVA 0117:
T19/039

1	4822 432 92693	Door in backcover	23 25"	4822 458 50355	Grill left/right
2	4822 462 71713	Grill for subwoofer	23 28"	4822 458 30594	Grill left/right
3 25"	4822 438 40188	Backcover	24	4822 432 92783	Cover
3 28"	4822 438 40179	Backcover	25	4822 432 92739	Door
4	4822 445 10265	LS box subwoofer	26	4822 417 50258	Locking-unit
5	4822 267 60308	Cinch/SVHS connector	27 25"	4822 535 92924	Spindle
6	4822 267 20411	Euro/cinch connector	27 28"	4822 502 12865	Spindle
7	4822 267 51058	Euroconnector	28	4822 505 10903	Nut
8	4822 432 92763	Cover SSP	29	4822 404 30869	Bracket
9	4822 432 92716	Door right	30 25"	4822 157 60414	Degaussing coil
10	4822 432 92715	Door left	30 28"	4822 157 62803	Degaussing coil
11	4822 432 92714	Battery lid	31	4822 404 30709	Clamp
12 25"	4822 430 50788	Cabinet	32	4822 466 93002	LED block
12 28"	4822 430 50787	Cabinet	33	4822 410 61244	Mains knob
13	4822 240 70225	Squeeter	34	4822 492 62076	Spring
14 25"	4822 404 31164	Bracket	36	4822 492 41585	Spring
14 28"	4822 404 31157	Bracket	37	4822 492 70143	Spring 10x33mm
15	4822 466 92954	Spacer	38	4822 492 70788	Spring
16	4822 492 70789	Spring	39	4822 321 10736	Mains cord (not -/25)
17	4822 432 92691	Bottom plate	39	4822 321 10566	Mains cord
18	4822 267 51098	Headph./cinch connector	25"	4822 131 20487	Picture tube
19	4822 410 25036	Mute knob	28"	4822 131 20472	Picture tube
20	4822 290 60812	Connector for LS		4822 218 21022	RC Transmitter RC6414
21	4822 218 21016	Keyboard		4822 404 31167	Bracket for mains cord
22	4822 432 92695	Cover LSP		4822 454 12674	Ornamental plate