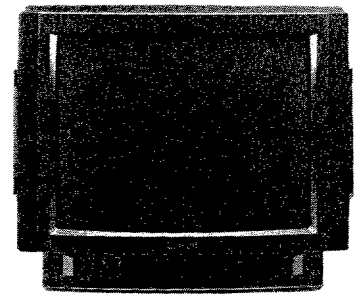


Service  
Service  
Service



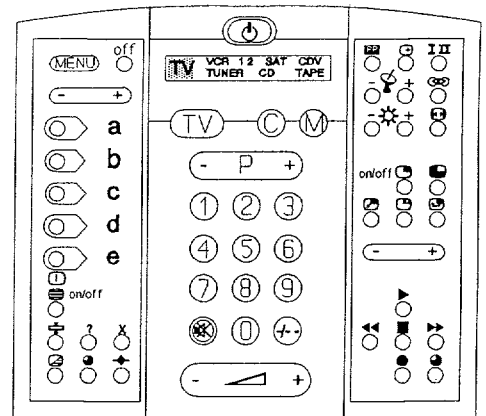
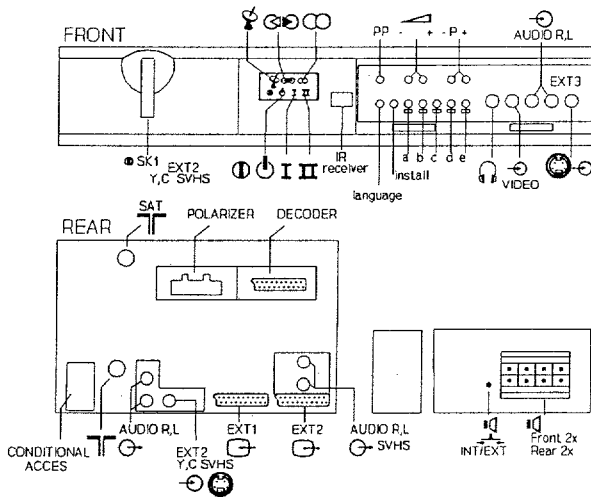
95 541 A

# Service Manual

Safety regulations require that the set be restored to its original condition and that parts which are identical with those specified be used.

Les normes de sécurité exigent que l'appareil soit remis à l'état d'origine et que soient utilisées les pièces de rechange identiques à celles spécifiées.

Chassis FL1.0



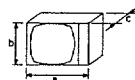
RC6414



220-240 V ( $\pm 10\%$ )  
125W Cenelec



A66EAK22X13



a x b x c  
726x580x472 mm



2 x 12 W  
2 x squeeeter 8 $\Omega$   
1 x subwoofer 16 $\Omega$



Front 2 x 12 W/8 $\Omega$   
Rear 2 x 3 W/8 $\Omega$



28PV7978/00/13

PAL BG  
SECAM BGL  
NTSC M

-/13 NICAM

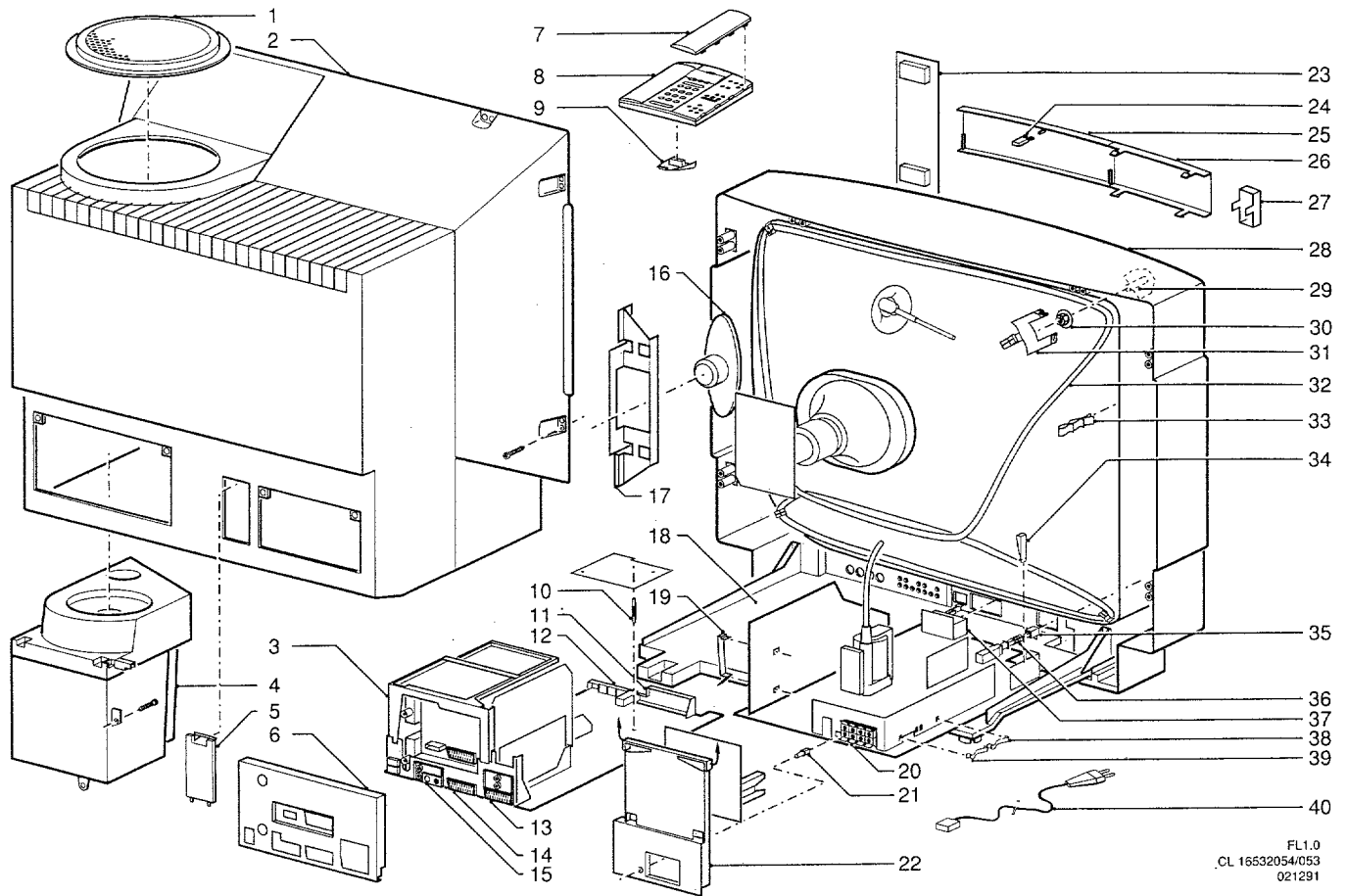


-/00/13 FQ816/ME/IF

	option 1	option 2	option 3
28PV7978/00B	026	000	004
28PV7978/13B	090	032	004



PHILIPS



FL1.0  
CL 16532054/053  
021291

1	4822 462 71713	Grill for subwoofer	26	4822 432 92692	Cover
2	4822 438 40179	Backcover	27	4822 410 60962	Mains knob
3	4822 464 70585	Bracket for SAT module	28	4822 430 50781	Cabinet
4	4822 445 10265	LS box subwoofer	29	4822 502 12865	Spindle
5	4822 432 92693	Door in backcover	30	4822 505 10903	Nut
6	4822 432 92838	Cover SSP	31	4822 404 30869	Bracket
7	4822 432 92716	Door right	32	4822 157 62803	Degaussing coil
8	4822 432 92715	Door left	33	4822 404 30709	Clamp
9	4822 432 92714	Battery lid	34	4822 492 62076	Spring
10	4822 466 92954	Spacer	35	4822 404 31156	Extension mains knob
11	4822 218 21016	Keyboard	36	4822 492 52218	Spring
12	4822 267 20408	Headph./cinch connector	37	4822 432 92841	LED block
13	4822 267 20427	Euro/cinch connector	38	4822 492 70143	Spring 10x33mm
14	4822 267 51058	Euroconnector	39	4822 492 70788	Spring
15	4822 267 41005	Cinch/SVHS connector	40	4822 321 10736	Mains cord
16	4822 240 70225	Squeeter		4822 404 31167	Bracket for mains cord
17	4822 404 31157	Bracket		4822 454 12717	Ornamental plate
18	4822 432 92691	Bottom plate		4822 459 11072	Matchline emblem
19	4822 492 70789	Spring		4822 218 21068	Remote control RC6415
20	4822 290 60812	Connector for LS		4822 454 12792	Text plate RC -/00B
21	4822 410 25036	Mute knob		4822 454 12793	Text plate RC -/13B
22	4822 432 92839	Cover LSP		4822 131 20317	Picture tube
23	4822 458 30594	Grill left/right		4822 320 11086	Focus cable
24	4822 417 50258	Locking-unit		4822 320 20162	EHT cable
25	4822 432 92696	Door			