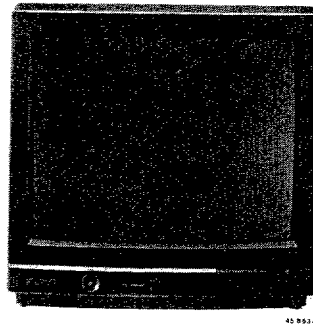


Service  
Service  
Service



63CA1505/  
03B/08B/13B/16B  
63CA1563/18B  
255831CB/19R  
70CA1703/10B/16B  
70CA1705/  
08B/09B/13B/16B  
70CA1763/18B  
287831CB/19R

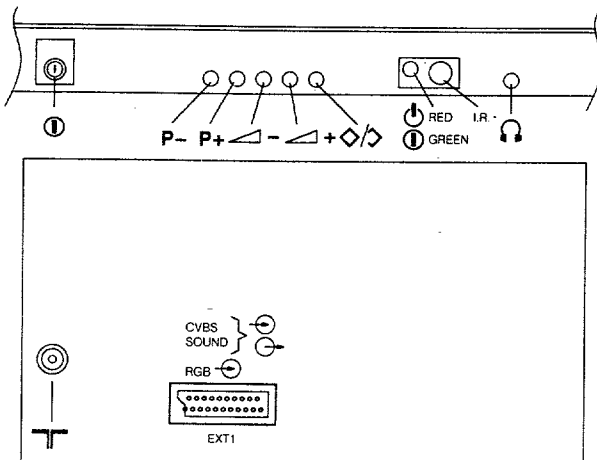
Service manual 4822 727 18867 is herwith cancelled.

# Service Manual

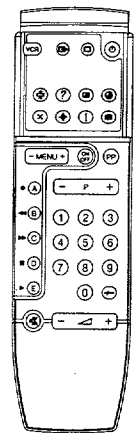
Safety regulations require that the set be restored to its original condition and that parts which are identical with those specified be used.

Chassis GR2.1

Les normes de sécurité exigent que l'appareil soit remis à l'état d'origine et que soient utilisées les pièces de rechange identiques à celles spécifiées.



MDA.02983  
T19/112



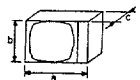
RC6501



220-240 V (± 10%)  
115W max.



**UV917E:**  
VHFa:48.25-82.25 MHz  
VHFb:175.25-224.25 MHz  
UHF :471.25-855.25 MHz



a x b x c  
25": 581x545x439 mm  
28": 640x589x458 mm



- /03/08/09/10/13/16: PAL BG  
- /18/19: PAL BGI  
SECAM BGLL'

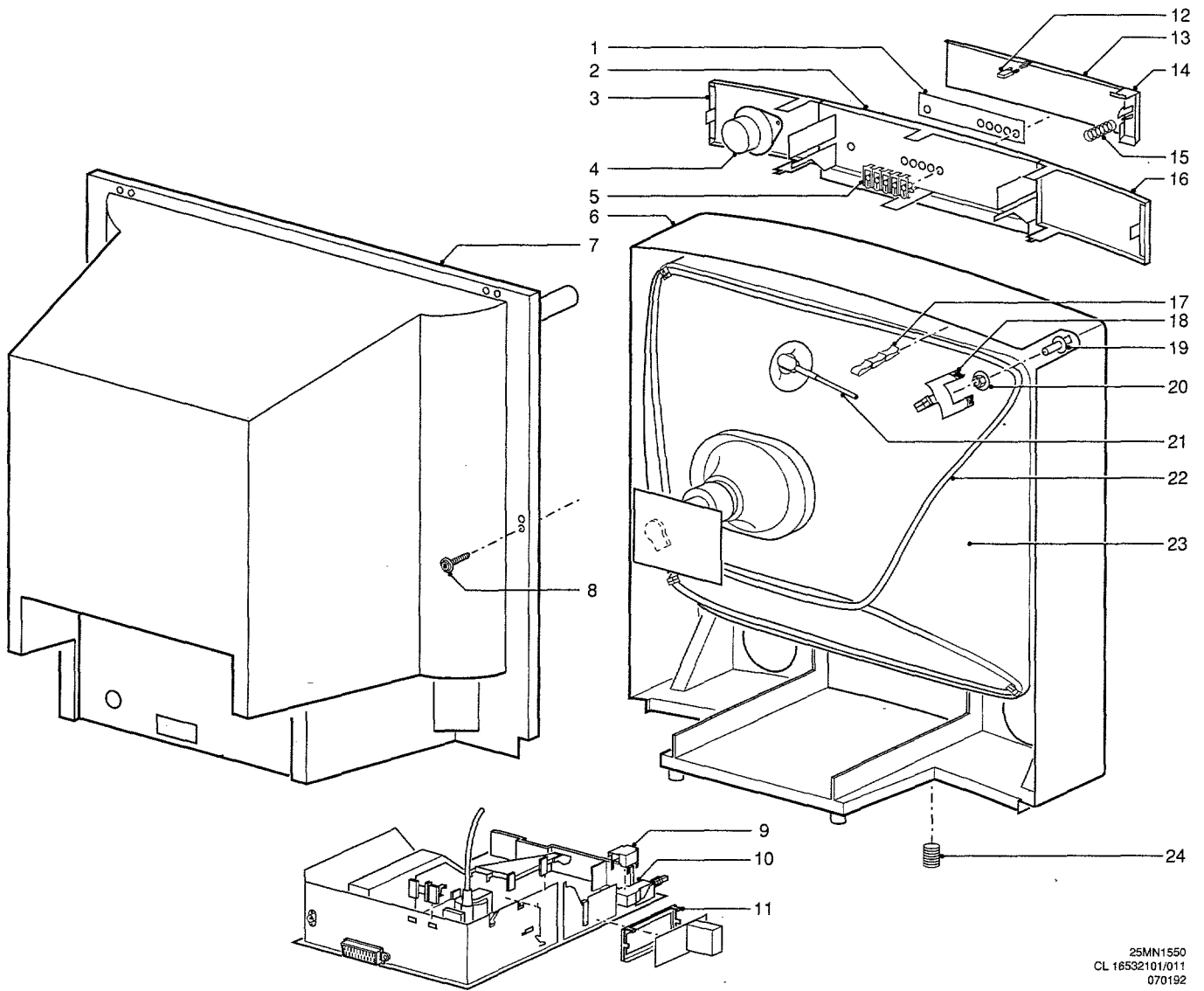


1 x 10W  
20Ω

## OPTIONS

	PIP	2ND SCART	TELETEXT	AUTO STORE	MULTI SYSTEM	HYPERBAND	UHF ONLY	NICAM TWIN
- /18B/19R				X	X	X		
- /03B/08B/13B		X	X	X	X			
- /09B*/10B*/16B*	X	X	X					

\*63CA1503 & 70CA1703 NO TXT



25MN1550  
CL 16532101/011  
070192

- |    |                |                          |                |   |                          |
|----|----------------|--------------------------|----------------|---|--------------------------|
| 1  | 4822 460 10985 | Indication strip         | 14             | 4822 410 61696                                    | Mains knob               |
| 2  | 4822 432 10941 | Control panel            | 14             | 4822 410 61707                                    | Mains knob (-/R)         |
| 2  | 4822 432 10946 | Control panel (-/R)      | 15             | 4822 492 32656                                    | Spring behind mains knob |
| 3  | 4822 458 50377 | Grill right 25"          | 16             | 4822 432 92833                                    | Cover left               |
| 3  | 4822 458 50382 | Grill right 25" (-/R)    | 17             | 4822 404 30709                                    | Clip                     |
| 3  | 4822 458 50381 | Grill right 28"          | 18             | 4822 404 30869                                    | Degaussing coil bracket  |
| 3  | 4822 458 50383 | Grill right 28" (-/R)    | 19             | 4822 502 12865                                    | Picture tube spindle     |
| 4  | 4822 240 20302 | Loudspeaker              | 20             | 4822 505 10903                                    | Picture tube nut         |
| 5  | 4822 410 61706 | Knob assy 5x             | 21             | 4822 320 20182                                    | EHT cable                |
| 6  | 4822 430 50814 | Cabinet 25"              | 22             | 4822 157 63747                                    | Degaussing coil 25"      |
| 6  | 4822 430 50817 | Cabinet 25" (-/R)        | 22             | 4822 157 63752                                    | Degaussing coil 28"      |
| 6  | 4822 430 50815 | Cabinet 28"              | 23             | 4822 131 20309                                    | Picture tube A59EAK01X03 |
| 6  | 4822 430 50816 | Cabinet 28" (-/R)        | 23             | 4822 131 20308                                    | Picture tube A66EAK51X03 |
| 7  | 4822 438 40216 | Rear cover 25"           | 24             | 4822 532 61148                                    | Insert fixing stand      |
| 7  | 4822 438 40217 | Rear cover 28"           |                |   |                          |
| 8  | 4822 502 13712 | Screw 12x3 mm            | 4822 218 21018 | Remote control RC6502<br>(Replacement for RC5601) |                          |
| 9  | 4822 432 92785 | Mains switch cover       | 4822 432 92761 | Battery cover                                     |                          |
| 10 | 4822 276 13153 | Mains switch             | 4822 432 92762 | Top cover   |                          |
|    | 4822 053 21915 | Res. 9M1 on mains switch |                |   |                          |
| 11 | 4822 404 31181 | Mains module bracket     |                |   |                          |
| 12 | 4822 417 50252 | Lock                     |                |   |                          |
| 13 | 4822 432 92829 | Door                     |                |   |                          |
| 13 | 4822 432 92843 | Door (-/R)               |                |   |                          |