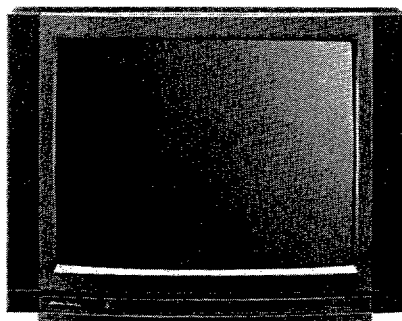


Service
Service
Service



45862A

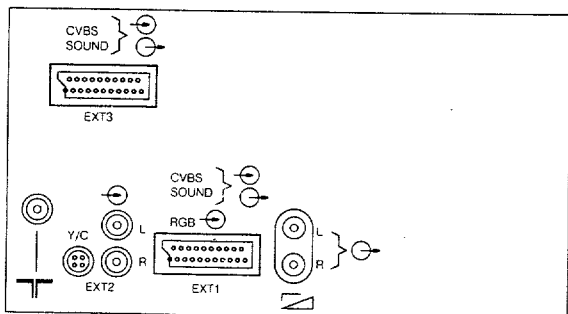
/28B/29B/33B/36B
70NA1818/31B
70NA1876/38B
70NA1877/26B
288371SB/22B/24R
288961SB/39R

Service Manual

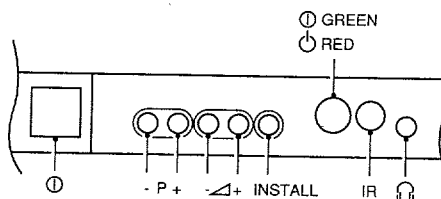
Safety regulations require that the set be restored to its original condition and that parts which are identical with those specified be used.

Les normes de sécurité exigent que l'appareil soit remis à l'état d'origine et que soient utilisées les pièces de rechange identiques à celles spécifiées.

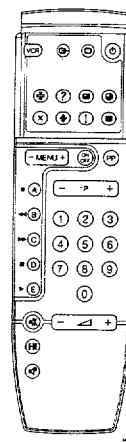
Chassis GR2.1



MDA 02983
T19/112



70NA1817
CL 16532097/033
070192



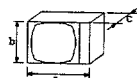
RC6512



220-240 V (± 10%)
140W max.



UV916: 45-889 MHz



a x b x c
28": 743x555x458 mm



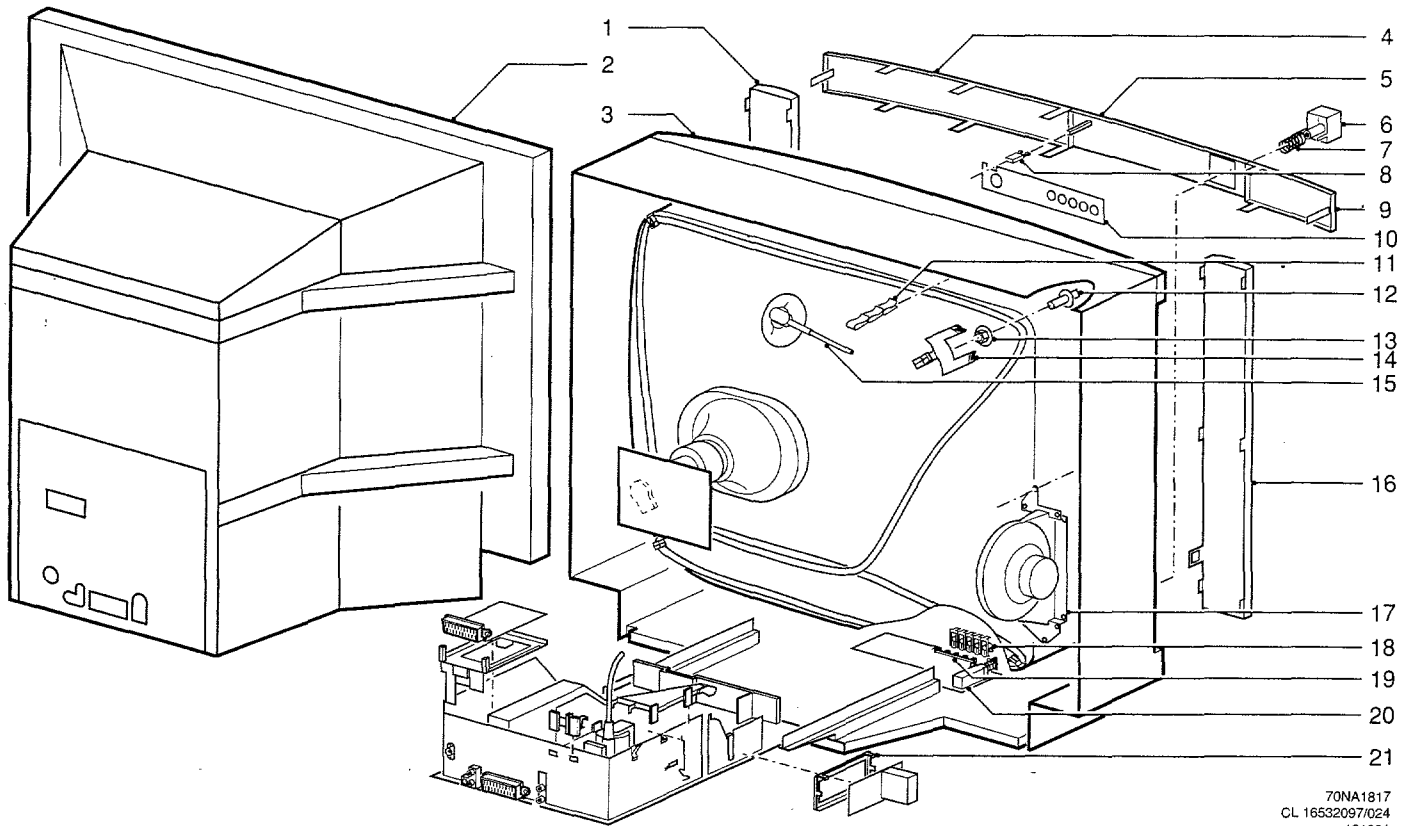
2 x 20W
8Ω



- /22B/23B/24R/
28B/29B: PAL BG
- /26B/38B/39R: PAL BGI
SECAM BGLL'
- /31B/33B/36B: PAL BG NICAM

OPTIONS

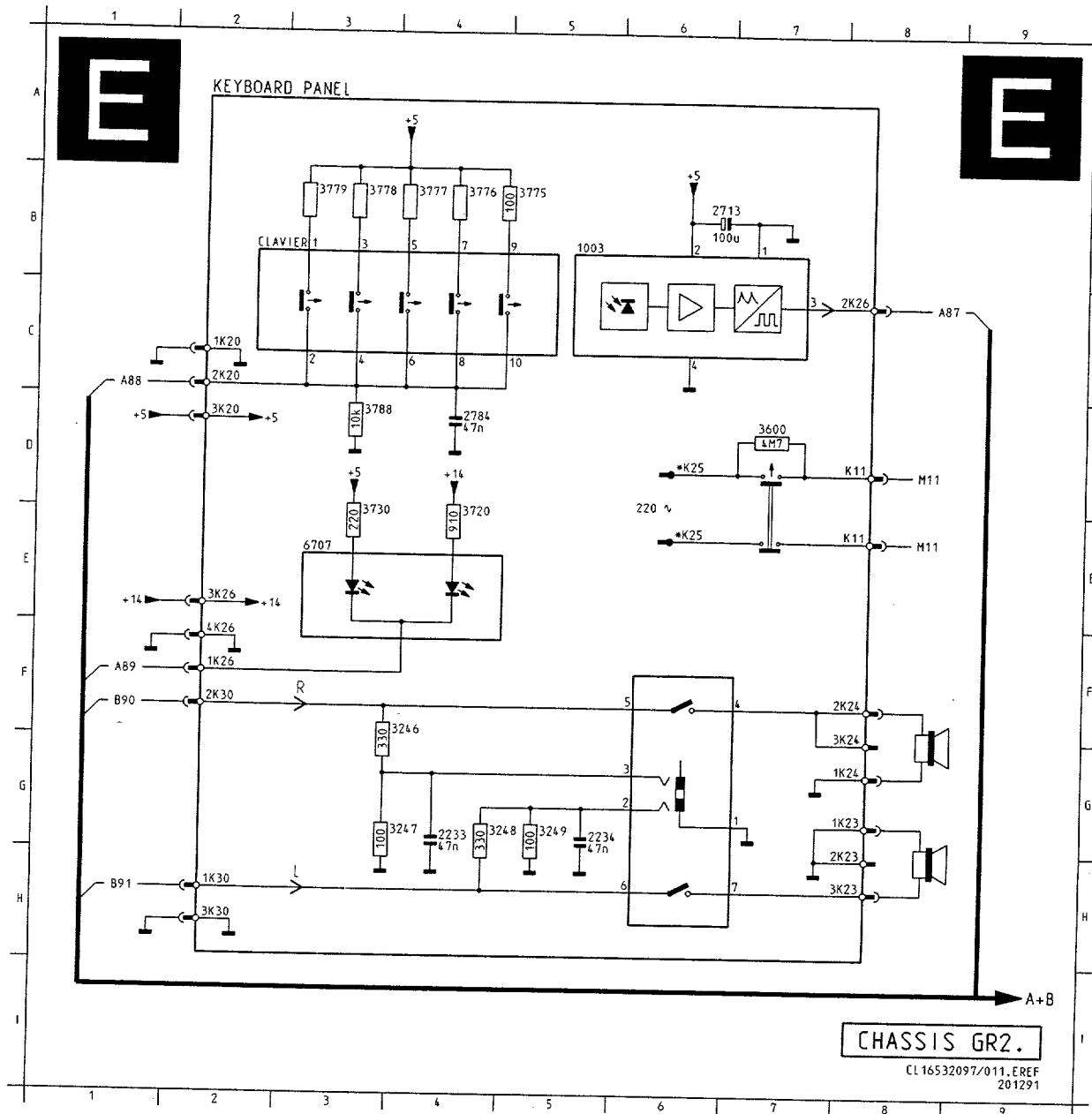
	PIP	2ND SCART	TELETEXT	AUTO STORE	MULTI SYSTEM	HYPERBAND	DHF ONLY	NICAM TWIN
- /22B/23B/24R/28B/29B	X	X	X	X	X	X	X	X
- /26B	X	X	X	X	X	X	X	X
- /31B/33B/36B	X	X	X	X	X	X	X	X
- /38B/39R	X	X	X	X	X	X	X	X



70NA1817
CL 16532097/024
121991

1	4822 458 50407	Grill right 28"	4822 432 92761	Battery cover RC6512
2	4822 438 40225	Rear cover 28"	4822 432 92762	Top cover RC6512
3	4822 438 50826	Cabinet 28"	4822 462 30542	PCB Guide for control unit
4	4822 432 92871	Front cover right 28"	4822 462 30543	PCB Guide right mono carrier
4	4822 432 92878	Front cover right 28" for 288371SB/288961SB	4822 462 30544	PCB Guide left mono carrier
5	4822 432 92872	Door		
5	4822 432 92873	Door for 288371SB/288961SB		
6	4822 410 61822	Mains knob	4822 417 50277	Locking mechanism control unit
7	4822 492 32656	Spring behind mains knob	4822 267 31014	Headphone socket
8	4822 417 50252	Locking mechanism	4822 212 23667	IR receiver GP1U52YP
9	4822 432 92869	Front cover left 28"	4822 209 72895	LED TLUV5320
9	4822 432 92879	Front cover left 28" for 288371SB/288961SB	4822 256 91766	LED holder
10	4822 460 10987	Indication strip	C2233 4822 121 43526	47nF 5% 100V
11	4822 404 30709	Degaussing coil clip	C2234 4822 121 43526	47nF 5% 100V
12	4822 502 12865	Picture tube spindle	C2713 5322 124 21189	100µF 20% 40V
13	4822 505 10903	Picture tube nut	R3246 4822 116 52219	330Ω 5% 0,5W
14	4822 404 30869	Degaussing coil bracket	R3247 4822 116 52175	100Ω 5% 0,5W
15	4822 320 20172	EHT cable	R3248 4822 116 52219	330Ω 5% 0,5W
16	4822 458 50408	Grill left 28"	R3249 4822 116 52175	100Ω 5% 0,5W
17	4822 240 40199	Loudspeaker assy left	R3600 5322 116 64001	Res. 18M on mains switch
17	4822 240 40201	Loudspeaker assy right	R3729 4822 116 52232	910Ω 5% 0,5W
18	4822 410 61347	Control knob assy	R3730 4822 116 52215	220Ω 5% 0,5W
19	4822 276 50354	Switch assy for controls	R3775 4822 116 52175	100Ω 5% 0,5W
20	4822 276 12445	Mains switch	R3776 4822 116 52264	5K6 5% 0,5W
21	4822 404 31181	Mains module bracket	R3777 4822 116 52289	27K 5% 0,5W
			R3778 4822 116 52233	56K 5% 0,5W
			R3779 4822 116 52291	10K 5% 0,5W
			R3780	reserved itemnumber
	4822 157 63752	Degaussing coil 28"		
	4822 131 20317	Picture tube A66EAK22X13		
	4822 502 13712	Screw 12x3 mm		
	4822 256 91886	Holder for CRT		
	4822 218 21078	Remote control RC6512		

CONTROL UNIT



1003	B 5
2233	G 4
2234	G 5
2713	B 6
2784	D 4
3246	F 3
3247	G 3
3248	G 4
3249	G 5
3600	D 7
3720	D 4
3730	D 3
3775	B 5
3776	B 4
3777	B 4
3778	B 3
3779	B 3
3788	D 3
3788	D 3
6707	E 3

