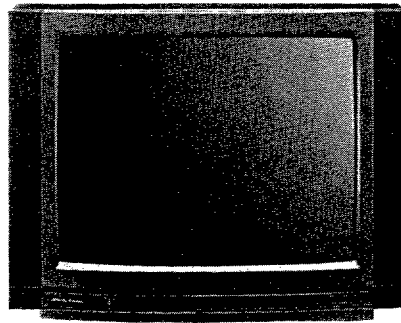


Service
Service
Service



45862A

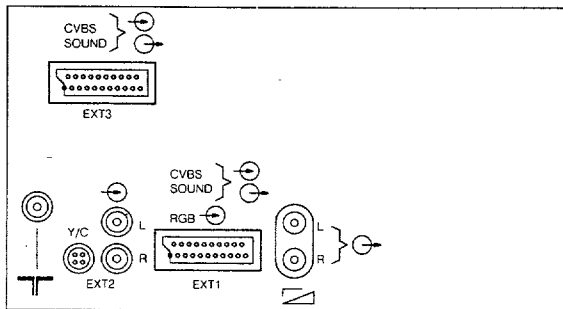
/28B/29B/33B/36B
63NA1618/31B
63NA1676/38B
63NA1677/26B
256341SB/22B/24R
256961SB/39R

Service Manual

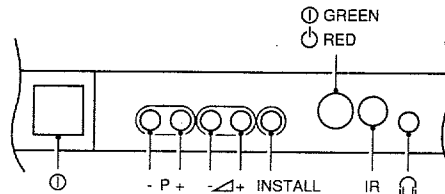
Safety regulations require that the set be restored to its original condition and that parts which are identical with those specified be used.

Les normes de sécurité exigent que l'appareil soit remis à l'état d'origine et que soient utilisées les pièces de rechange identiques à celles spécifiées.

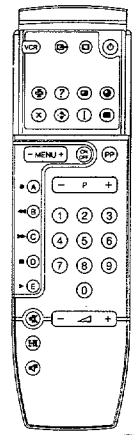
Chassis GR2.1



MDA 02983
T19/112



70NA1817
CL 16532097/033
070192



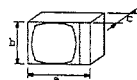
RC6512



220-240 V ($\pm 10\%$)
140W max.



UV916: 45-889 MHz



a x b x c
25": 685x506x470 mm



2 x 20W
8 Ω



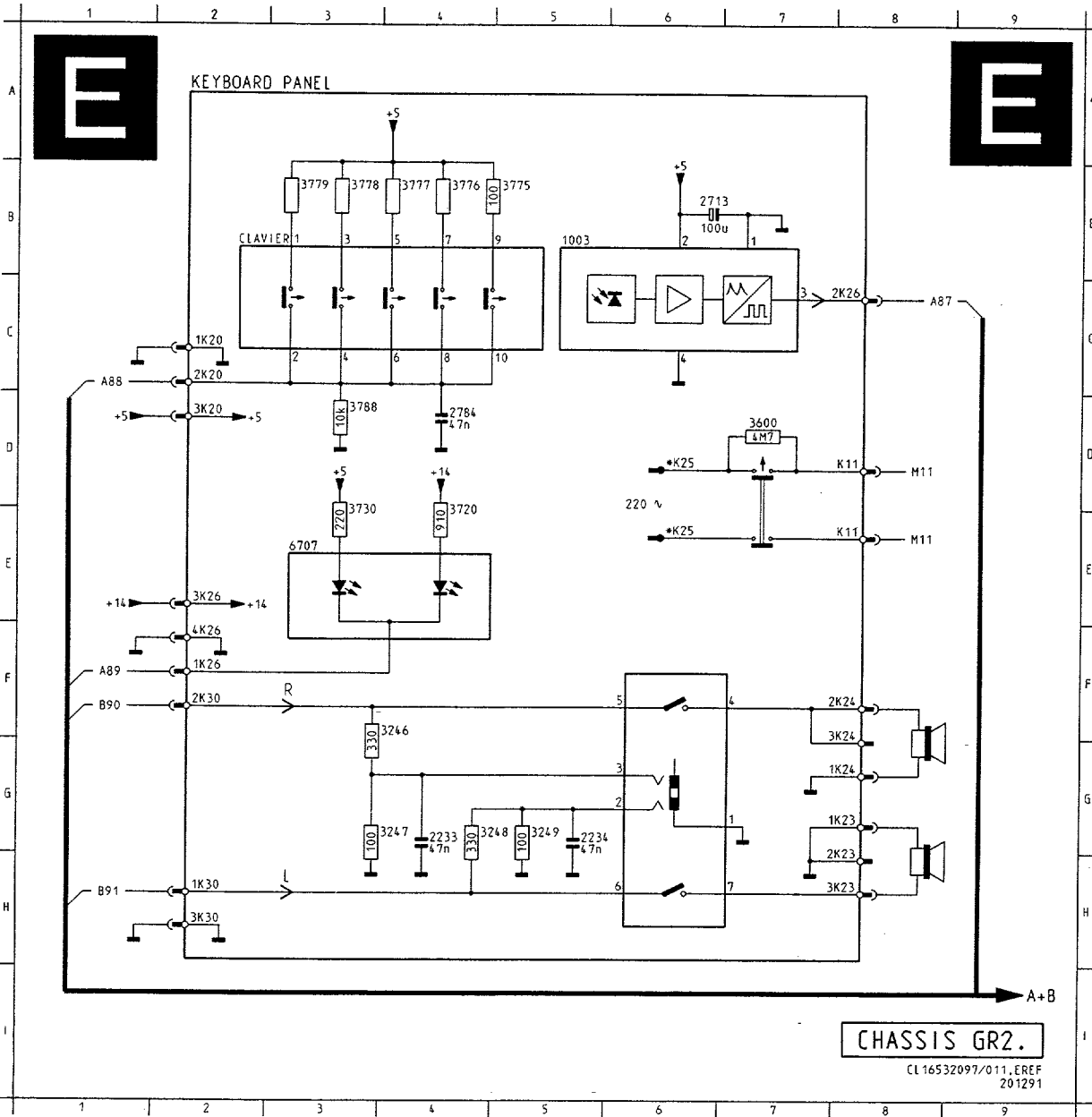
- /22B/23B/24R
/28B/29B: PAL BG
- /26B/38B/39R: PAL BGI
SECAM BGLL'
- /31B/33B/36B: PAL BG NICAM

OPTIONS

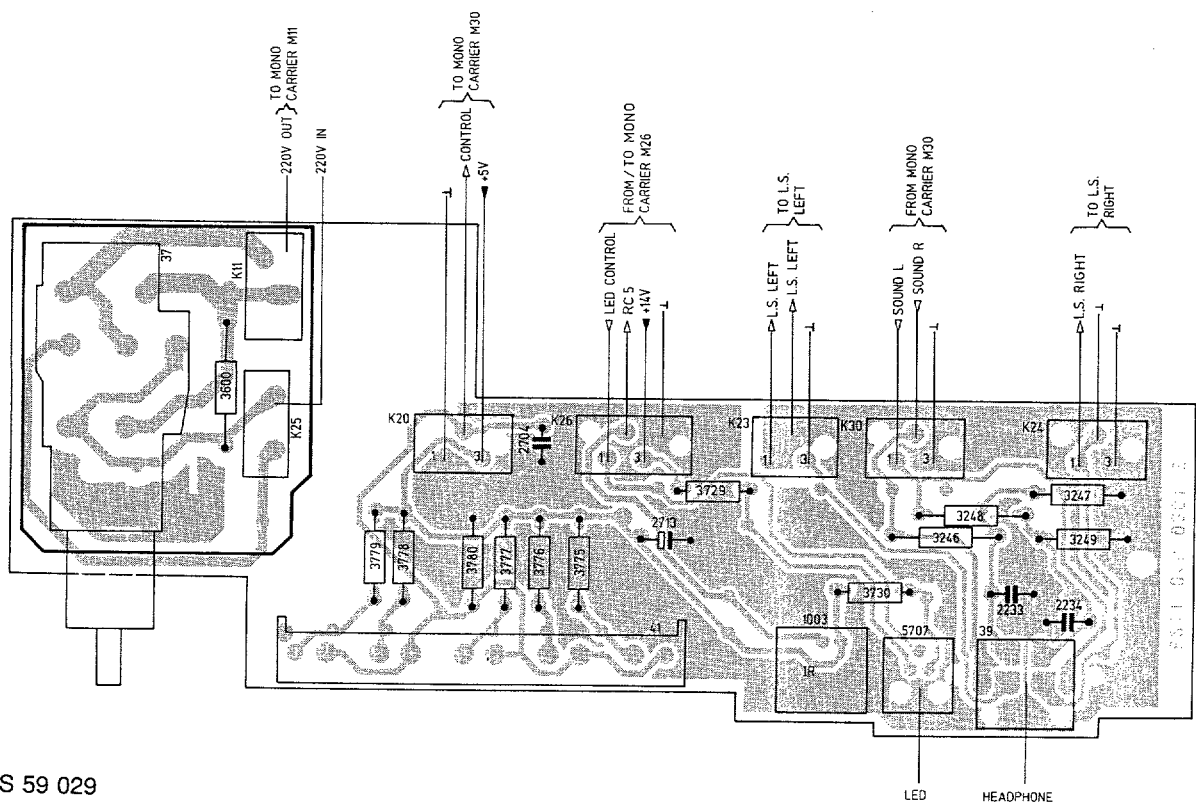
	PIP	2ND SCART	TELETEXT	AUTO STORE	MULTI SYSTEM	HYPERBAND	UHF ONLY	NICAM TWIN
- /22B/23B/24R/28B/29B	X	X	X	X	X	X	X	
- /26B	X	X	X	X	X	X	X	
- /31B/33B/36B	X	X	X	X	X	X	X	X
- /38B/39R	X	X	X	X	X	X	X	

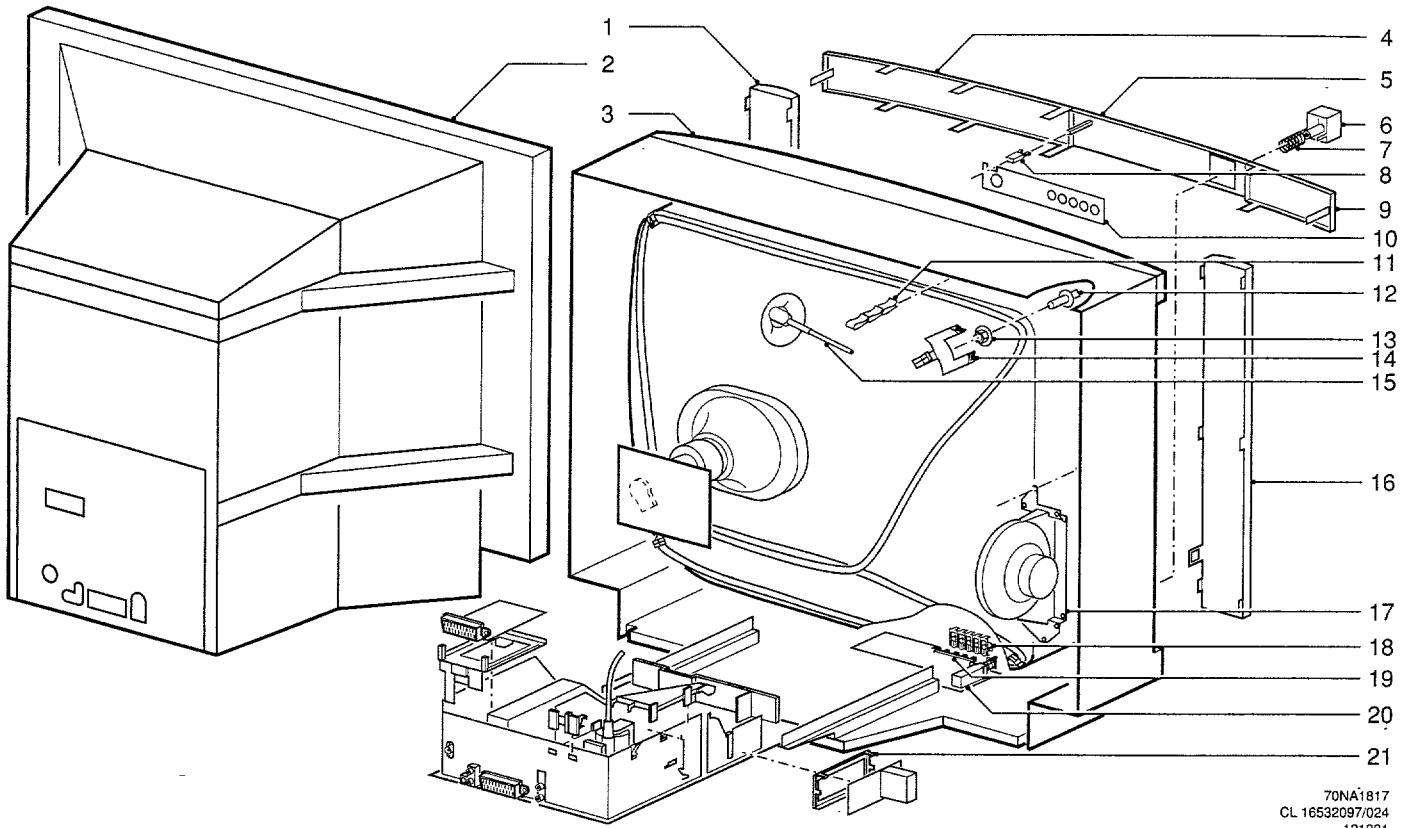


PHILIPS



1003	B 5
2233	G 4
2234	G 5
2713	B 6
2784	D 4
3246	F 3
3247	G 3
3248	G 4
3249	G 5
3600	D 7
3720	D 4
3730	D 3
3775	B 5
3776	B 4
3777	B 4
3778	B 3
3779	B 3
3788	D 3
6707	E 3





70NA1817
CL 16532097/024
121991

- | | | | | |
|----|----------------|--|----------------------|-----------------------------------|
| 1 | 4822 458 50409 | Grill right 25" | 4822 432 92761 | Battery cover RC6512 |
| 2 | 4822 438 30248 | Rear cover 25" | 4822 432 92762 | Top cover RC6512 |
| 3 | 4822 438 50828 | Cabinet 25" | 4822 462 30542 | PCB Guide for control unit |
| 4 | 4822 432 92876 | Front cover right 25" | 4822 462 30543 | PCB Guide right mono carrier |
| 4 | 4822 432 92875 | Front cover right 25" for
256341SB/256961SB | 4822 462 30544 | PCB Guide left mono carrier |
| 5 | 4822 432 92872 | Door | CONTROL UNIT | |
| 5 | 4822 432 92873 | Door for 256341SB/256961SB | 4822 417 50277 | Locking mechanism control
unit |
| 6 | 4822 410 61822 | Mains knob | 4822 267 31014 | Headphone socket |
| 7 | 4822 492 32656 | Spring behind mains knob | 4822 212 23667 | IR receiver GP1U52YP |
| 8 | 4822 417 50252 | Locking mechanism | 4822 209 72895 | LED TLUV5320 |
| 9 | 4822 432 92877 | Front cover left 25" | 4822 256 91766 | LED holder |
| 9 | 4822 432 92874 | Front cover left 25" for
256341SB/256961SB | C2233 4822 121 43526 | 47nF 5% 100V |
| 10 | 4822 460 10987 | Indication strip | C2234 4822 121 43526 | 47nF 5% 100V |
| 11 | 4822 404 30709 | Degaussing coil clip | C2713 5322 124 21189 | 100µF 20% 40V |
| 12 | 4822 502.12865 | Picture tube spindle | R3246 4822 116 52219 | 330Ω 5% 0,5W |
| 13 | 4822 505 10903 | Picture tube nut | R3247 4822 116 52175 | 100Ω 5% 0,5W |
| 14 | 4822 404 30869 | Degaussing coil bracket | R3248 4822 116 52219 | 330Ω 5% 0,5W |
| 15 | 4822 320 20172 | EHT cable | R3249 4822 116 52175 | 100Ω 5% 0,5W |
| 16 | 4822 458 50411 | Grill left 25" | R3600 5322 116 64001 | Res. 18M on mains switch |
| 17 | 4822 240 40199 | Loudspeaker assy left | R3729 4822 116 52232 | 910Ω 5% 0,5W |
| 17 | 4822 240 40201 | Loudspeaker assy right | R3730 4822 116 52215 | 220Ω 5% 0,5W |
| 18 | 4822 410 61347 | Control knob assy | R3775 4822 116 52175 | 100Ω 5% 0,5W |
| 19 | 4822 276 50354 | Switch assy for controls | R3776 4822 116 52264 | 5K6 5% 0,5W |
| 20 | 4822 276 12445 | Mains switch | R3777 4822 116 52289 | 27K 5% 0,5W |
| 21 | 4822 404 31181 | Mains module bracket | R3778 4822 116 52233 | 56K 5% 0,5W |
| | | | R3779 4822 116 52291 | 10K 5% 0,5W |
| | | | R3780 | reserved itemnumber |
| | 4822 157 63747 | Degaussing coil 25" | | |
| | 4822 131 20345 | Picture tube A59EAK22X13 | | |
| | 4822 502 13712 | Screw 12x3 mm | | |
| | 4822 256 91886 | Holder for CRT | | |
| | 4822 218 21078 | Remote control RC6512 | | |