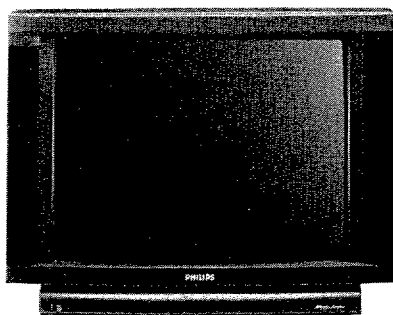


Service  
Service  
Service



45 861 A

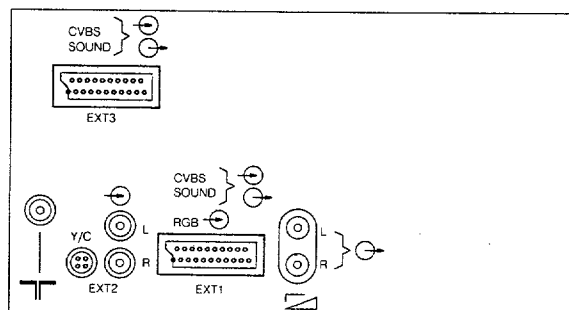
- 25ST1767/30B
- 25ST1761/22B/25B  
/28B/30B/33B/36B
- 25ST1861/32B
- 28ST1687/39B
- 28ST1781/22B  
/28B/30B/33B/36B
- 28ST1787/30B
- 28ST1881/32B

# Service Manual

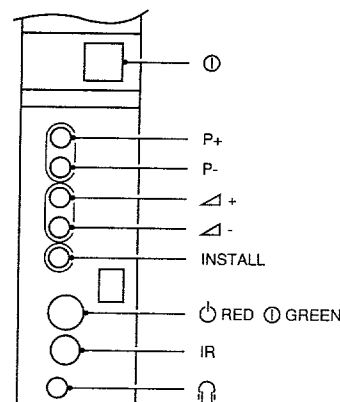
Safety regulations require that the set be restored to its original condition and that parts which are identical with those specified be used.

Les normes de sécurité exigent que l'appareil soit remis à l'état d'origine et que soient utilisées les pièces de rechange identiques à celles spécifiées.

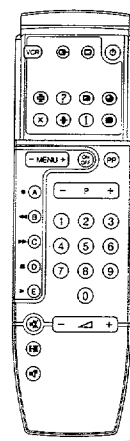
Chassis GR2.1



MDA 02983  
T19/112



28ST1781  
CL 16532097/034  
070192



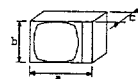
RC6512



220-240 V (± 10%)  
140W max.



UV916: 45-889 MHz  
U944: 468-889 MHz



a x b x c  
25": 685x506x470 mm  
28": 743x555x458 mm



2 x 20W  
8Ω



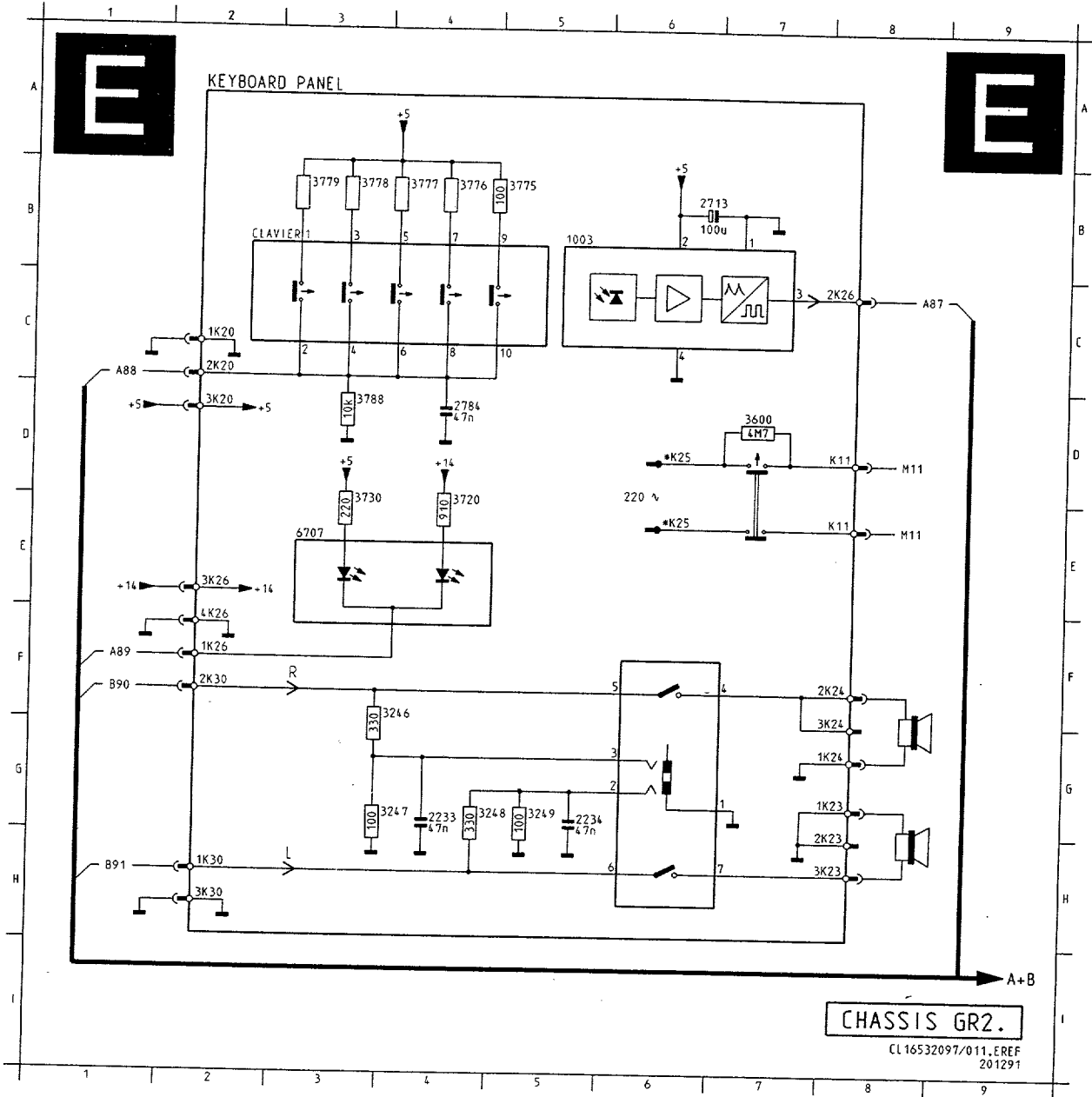
- /22B/22Z/28B/30B: PAL BG
- /25B: PAL I NICAM
- /32B/33B/36B: PAL BG NICAM
- /39B: PAL BGI  
SECAM BGLL'

## OPTIONS

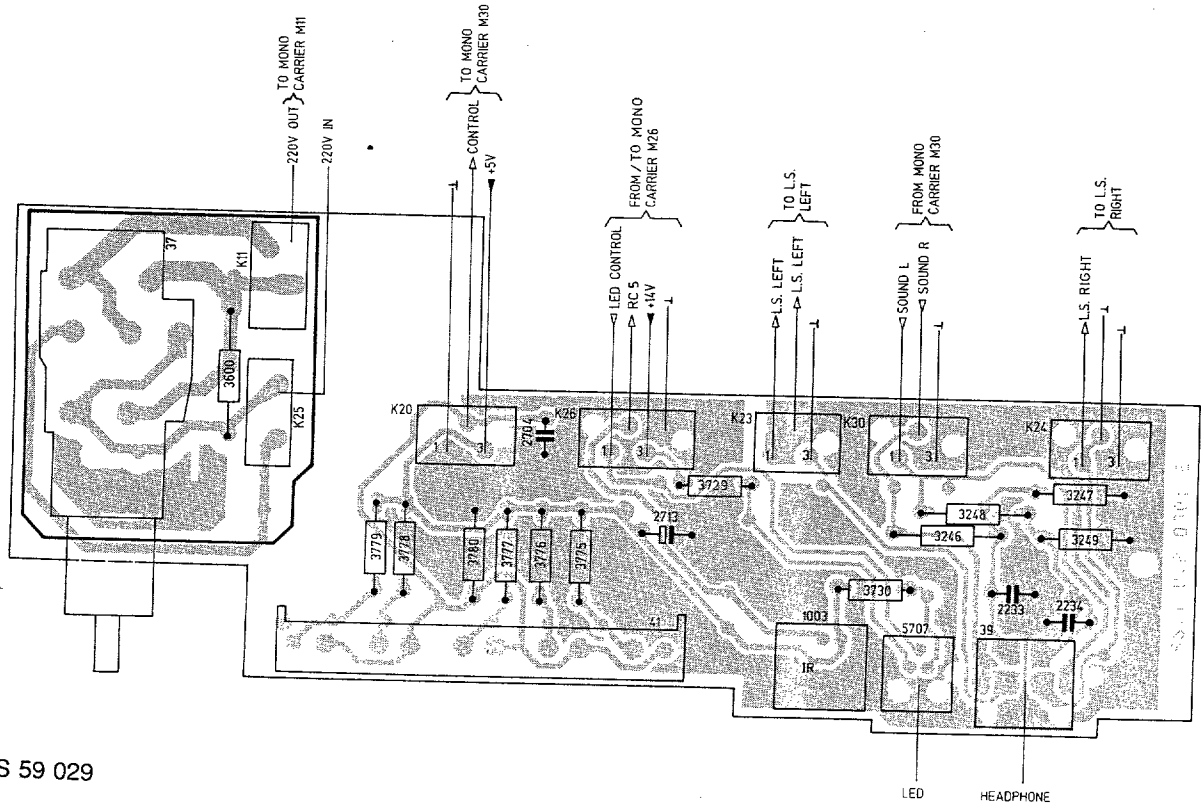
	PIP	TELETEXT	2ND SCART	AUTO STORE	MULTI SYSTEM	HYPERBAND	JHF ONLY	NICAM TWIN
- /22B/22Z/28B/30B	X	X	X			X		
- /25B		X	X	X			X	X
- /32B/33B/36B		X	X	X		X		X
- /39B	X	X	X	X				

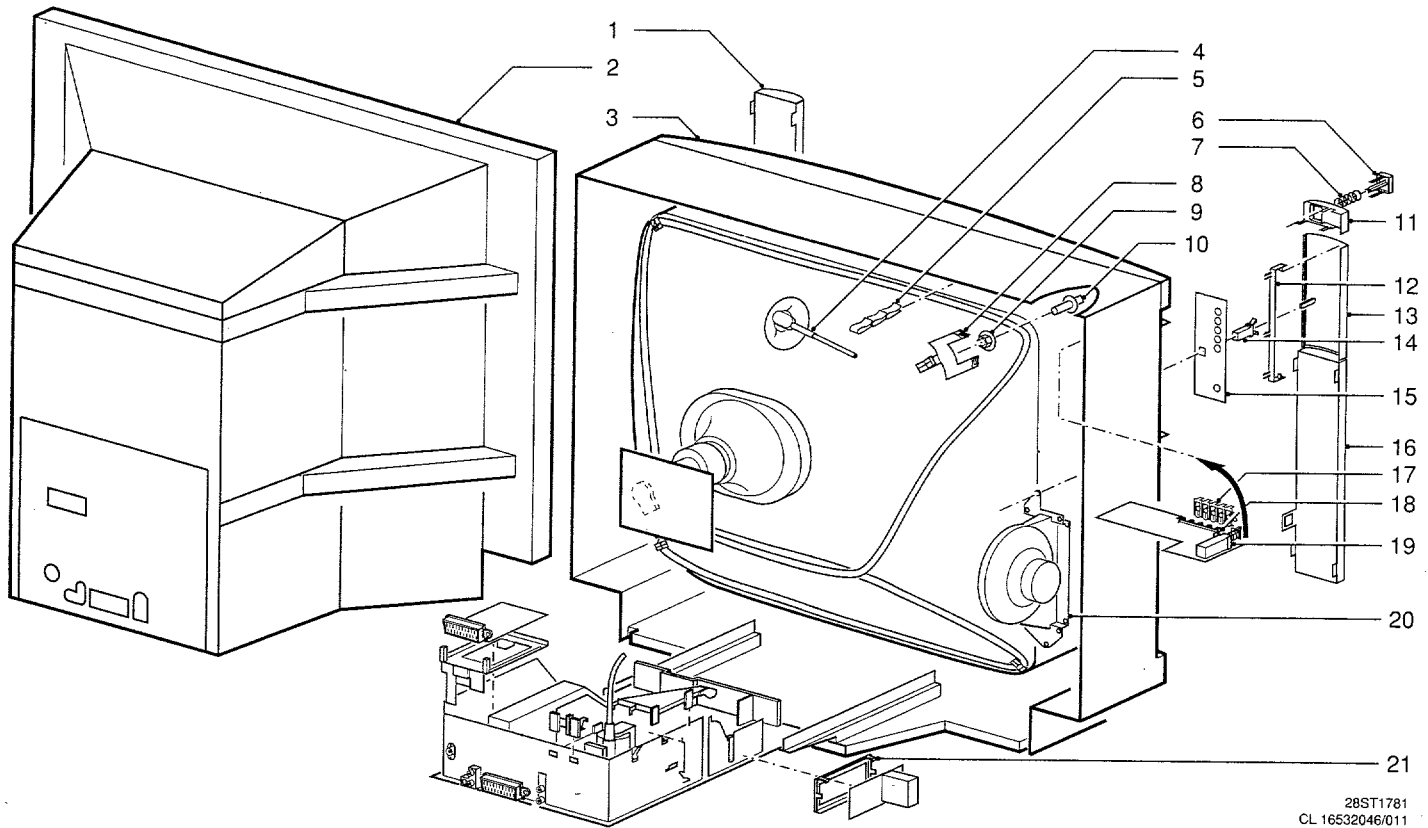


# PHILIPS



1003	B 5
2233	G 4
2234	G 5
2713	B 6
2784	D 4
3246	F 3
3247	G 3
3248	G 4
3249	G 5
3600	D 7
3720	D 4
3730	D 3
3775	B 5
3776	B 4
3777	B 4
3778	B 3
3779	B 3
3788	D 3
6707	E 3





28ST1781  
CL 16532046/011  
070192

1	4822 458 50406	Grill right 25"	4822 218 21077	Remote control RC6512	
1	4822 458 50403	Grill right 28"	4822 432 92761		Battery cover RC6512
2	4822 438 30248	Rear cover 25"	4822 432 92762		Top cover RC6512
2	4822 438 40225	Rear cover 28"	4822 462 30542	PCB Guide for control unit	
3	4822 438 50824	Cabinet 25"	4822 462 30543	PCB Guide right mono carrier	
3	4822 438 50823	Cabinet 28"	4822 462 30544	PCB Guide left mono carrier	
4	4822 320 20172	EHT cable	4822 462 10498	Stand (for I-25B)	
5	4822 404 30709	Degaussing coil clip	4822 532 61148	Insert fixing stand	
6	4822 410 61811	Mains knob			
7	4822 492 32656	Spring behind mains knob			
8	4822 404 30869	Degaussing coil bracket			
9	4822 505 10903	Picture tube nut			
10	4822 502 12865	Picture tube spindle			
11	4822 432 92866	Cover for mains knob			
12	4822 417 11164	Hinge			
13	4822 432 92867	Door			
14	4822 417 50252	Locking mechanism			
15	4822 460 10986	Indication strip			
16	4822 458 50405	Grill left 25"			
16	4822 458 50404	Grill left 28"			
17	4822 410 61347	Control knob assy			
18	4822 276 50354	Switch assy for controls			
19	4822 276 12445	Mains switch			
20	4822 240 40199	Loudspeaker assy left			
20	4822 240 40201	Loudspeaker assy right			
21	4822 404 31181	Mains module bracket			
	4822 157 63747	Degaussing coil 25"			
	4822 157 63752	Degaussing coil 28"			
	4822 131 20345	Picture tube A59EAK22X13			
	4822 131 20317	picture tube A66EAK22X13			
	4822 502 13712	Screw 12x3 mm			
	4822 256 91886	Holder for CRT			
				Locking mechanism control unit	
				Headphone socket	
				IR receiver GP1U52YP	
				LED TLUV5320	
				LED holder	
				47nF 5% 100V	
				47nF 5% 100V	
				100µF 20% 40V	
				330Ω 5% 0,5W	
				100Ω 5% 0,5W	
				330Ω 5% 0,5W	
				100Ω 5% 0,5W	
				Res. 18M on mains switch	
				910Ω 5% 0,5W	
				220Ω 5% 0,5W	
				100Ω 5% 0,5W	
				27K 5% 0,5W	
				5K6 5% 0,5W	
				10K 5% 0,5W	
				56K 5% 0,5W	
				reserved itemnumber	
<b>CONTROL UNIT</b>					
			4822 417 50277		
			4822 267 31014		
			4822 212 23667		
			4822 209 72895		
			4822 256 91766		
	C2233	4822 121 43526			
	C2234	4822 121 43526			
	C2713	5322 124 21189			
	R3246	4822 116 52219			
	R3247	4822 116 52175			
	R3248	4822 116 52219			
	R3249	4822 116 52175			
	R3600	5322 116 64001			
	R3729	4822 116 52232			
	R3730	4822 116 52215			
	R3775	4822 116 52175			
	R3776	4822 116 52264			
	R3777	4822 116 52289			
	R3778	4822 116 52233			
	R3779	4822 116 52291			
	R3780				