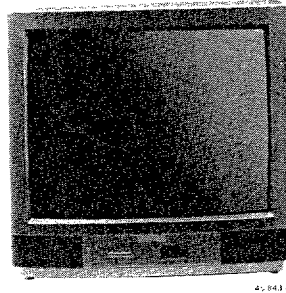


Service
Service
Service



63NA1666/18B/38B
70NA1807/03B/08B
/11B/23B/28B/31B
70NA1866/18B/38B
256861SB/19R/39R
288861SB/19R/39R

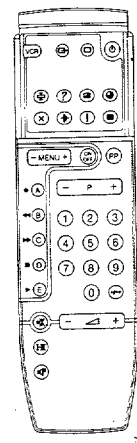
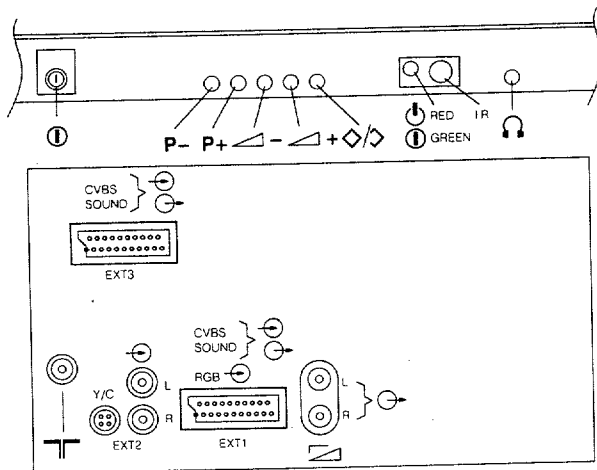
Service manual 4822 727 18818 is herewith cancelled

Service Manual

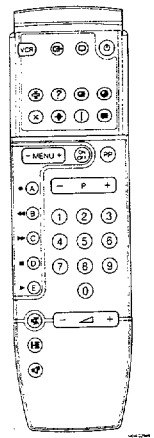
Chassis GR2.1

Safety regulations require that the set be restored to its original condition and that parts which are identical with those specified be used.

Les normes de sécurité exigent que l'appareil soit remis à l'état d'origine et que soient utilisées les pièces de rechange identiques à celles spécifiées.



RC6502
for/03B/08B/11B
/18B/19R



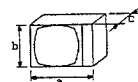
RC6512
for/23B/28B/31B
/38B/39R



220-240 V (± 10%)
140W max.



UV916: 45-889 MHz



a x b x c
25": 581x545x439 mm
28": 640x589x458 mm



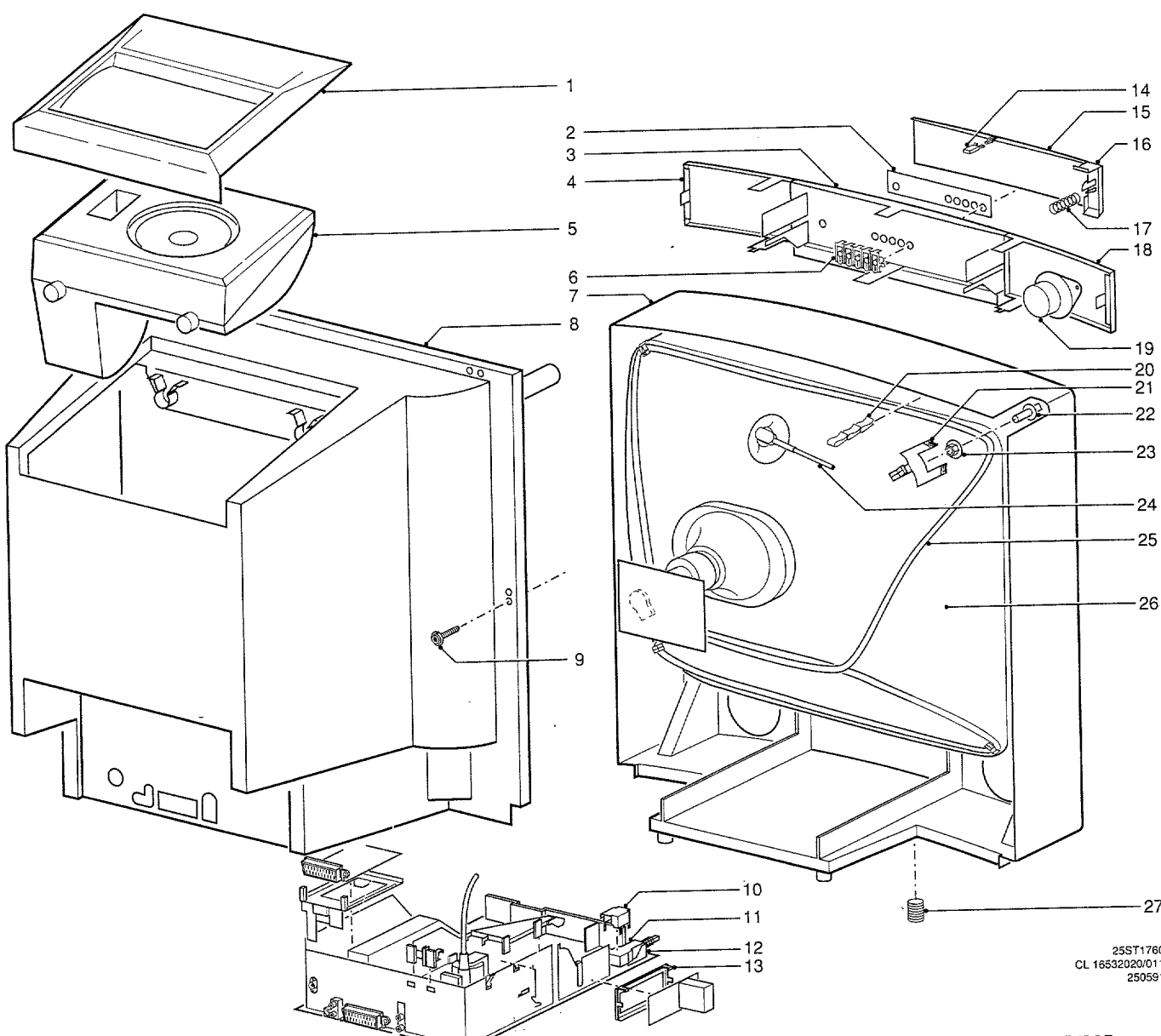
2 x 20W
8Ω



- /03B/08B/23B/28B: PAL BG
- /11B/31B: PAL BG NICAM
- /18B/19R/38B/39R: PAL BGI
SECAM BGLL'

OPTIONS

	PIP	2ND SCART	TELETEXT	AUTO STORE	MULTI SYSTEM	HYPERBAND	UHF ONLY	NICAM TWIN
- /03B/08B/23B/28B	X	X	X	X	X	X		
- /11B/31B	X	X	X	X	X	X		X
- /18B/19R/38B/39R	X	X	X	X	X	X		



25ST1760
 CL 16532020/011
 250591

- | | | | | | |
|----|----------------|------------------------------|----|----------------|-----------------------------|
| 1 | 4822 458 40553 | Woofer grill | 18 | 4822 458 50368 | Grill left 28" for /19R/39R |
| 2 | 4822 454 12749 | Indication strip | 19 | 4822 240 70239 | Tweeter |
| 3 | 4822 432 92809 | Control panel | 20 | 4822 404 30709 | Degaussing coil clip |
| 3 | 4822 432 92821 | Control panel for /19R/39R | 21 | 4822 404 30869 | Degaussing coil bracket |
| 4 | 4822 458 50366 | Full width grill 25" | 22 | 4822 502 12865 | Picture tube spindle |
| 4 | 4822 458 50365 | Grill right 25" for /19R/39R | 23 | 4822 505 10903 | Picture tube nut |
| 4 | 4822 458 50367 | Full width grill 28" | 24 | 4822 320 20172 | EHT cable |
| 4 | 4822 458 50369 | Grill right 28" for /19R/39R | 25 | 4822 157 53067 | Degaussing coil 25" |
| 5 | 4822 445 10292 | Loudspeaker box | 25 | 4822 157 53091 | Degaussing coil 28" |
| 6 | 4822 410 61347 | Control knob assy | 26 | 4822 131 20345 | Picture tube A59EAK22X13 |
| 7 | 4822 438 50798 | Cabinet 25" | 26 | 4822 131 20317 | Picture tube A66EAK22X13 |
| 7 | 4822 438 50806 | Cabinet 25" for 256861SB | 27 | 4822 532 61148 | Insert fixing stand |
| 7 | 4822 438 50799 | Cabinet 28" | | | |
| 7 | 4822 438 50808 | Cabinet 28" for 288861SB | | | |
| 8 | 4822 438 40203 | Rear cover 25" | | | |
| 8 | 4822 438 40204 | Rear cover 28" | | | |
| 9 | 4822 502 13712 | Screw 12x3 mm | | | |
| 10 | 4822 432 92785 | Mains switch cover | | | |
| 11 | 4822 276 12916 | Mains switch | | | |
| | 4822 053 21915 | Res. 9M1 on mains switch | | | |
| 12 | 4822 404 31058 | Mains module bracket | | | |
| 13 | 4822 404 31181 | Mains module bracket | | | |
| 14 | 4822 417 50252 | Locking mechanism | | | |
| 15 | 4822 432 92808 | Door | | | |
| 15 | 4822 432 92797 | Door for /19R/39R | | | |
| 16 | 4822 410 61642 | Mains knob | | | |
| 16 | 4822 410 61502 | Mains knob for /19R/39R | | | |
| 17 | 4822 492 32656 | Spring behind mains knob | | | |
| 18 | 4822 458 50366 | Full width grill 25" | | | |
| 18 | 4822 458 50364 | Grill left 25" for /19R/39R | | | |
| 18 | 4822 458 50367 | Full width grill 28" | | | |