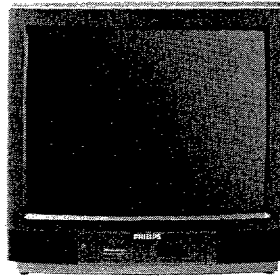


Service  
Service  
Service

21ST1730/22B/25B

28B/30B/32B/33B/36B



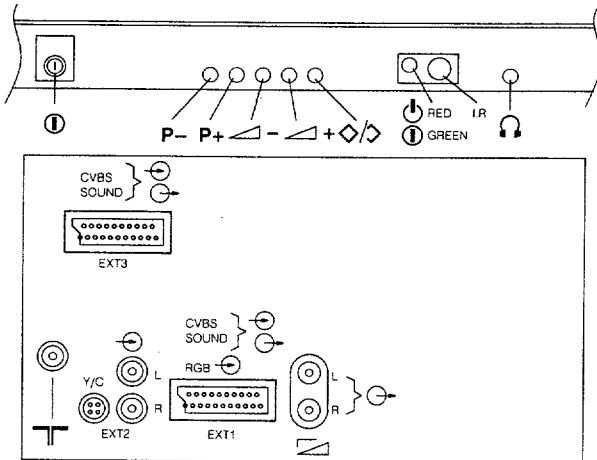
55 806 A

# Service Manual

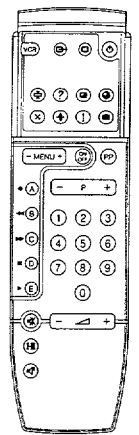
Safety regulations require that the set be restored to its original condition and that parts which are identical with those specified be used.

Chassis GR2.1

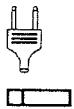
Les normes de sécurité exigent que l'appareil soit remis à l'état d'origine et que soient utilisées les pièces de rechange identiques à celles spécifiées.



MDA 02983  
T19/112

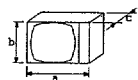


RC6512



220-240 V (± 10%)  
140W max.

UV916: 45-889 MHz  
U944: 468-889 MHz



a x b x c  
21": 527x474x485 mm



2 x 20W  
8Ω



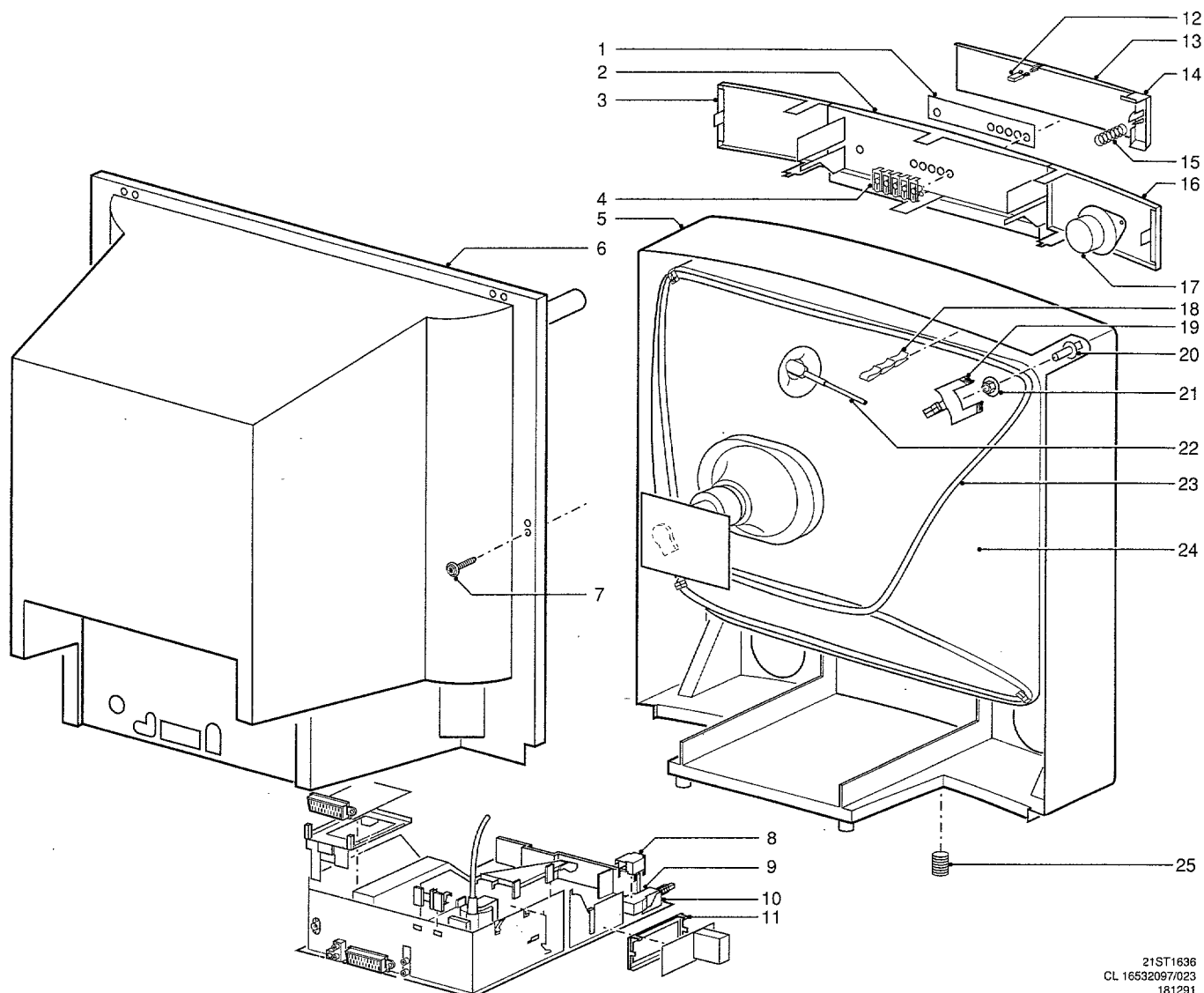
- /22B/28B/30B: PAL BG
- /25B: PAL I NICAM
- /32B/33B/36B: PAL BG NICAM
- /39B: PAL BGI  
SECAM BGLL'

OPTIONS

	PIP	2ND SCART	TELETEXT	AUTO STORE	MULTI SYSTEM	HYPERBAND	UHF ONLY	NICAM TWIN
- /22B/28B/30B	X	X	X			X		
- /25B	X	X	X				X	X
- /32B/33B/36B	X	X	X			X		X
- /39B	X	X	X	X	X			



PHILIPS



21ST1636  
 CL 16532097/023  
 181291

- |    |                |                          |                |                       |
|----|----------------|--------------------------|----------------|-----------------------|
| 1  | 4822 454 12749 | Indication strip         | 4822 218 21077 | Remote control RC6512 |
| 2  | 4822 432 92786 | Control panel            | 4822 432 92761 | Battery cover RC6512  |
| 3  | 4822 458 50399 | Grill right 21"          | 4822 432 92762 | Top cover RC6512      |
| 4  | 4822 410 61347 | Control knob assy        | 4822 462 10498 | Stand (for /-25B)     |
| 5  | 4822 438 40221 | Cabinet 21"              |                |                       |
| 6  | 4822 438 20221 | Rear cover 21"           |                |                       |
| 7  | 4822 502 13712 | Screw 12x3 mm            |                |                       |
| 8  | 4822 432 92785 | Mains switch cover       |                |                       |
| 9  | 4822 276 12916 | Mains switch             |                |                       |
|    | 4822 053 21915 | Res. 9M1 on mains switch |                |                       |
| 10 | 1022 404 31058 | Mains switch bracket     |                |                       |
| 11 | 4822 404 31181 | Mains module bracket     |                |                       |
| 12 | 4822 417 50252 | Locking mechanism        |                |                       |
| 13 | 4822 432 92787 | Door                     |                |                       |
| 14 | 4822 410 61448 | Mains knob               |                |                       |
| 15 | 4822 492 32656 | Spring behind mains knob |                |                       |
| 16 | 4822 458 50398 | Grill left 21"           |                |                       |
| 17 | 4822 240 20305 | Loudspeaker              |                |                       |
| 18 | 4822 404 30709 | Degaussing coil clip     |                |                       |
| 19 | 4822 404 30945 | Degaussing coil bracket  |                |                       |
| 20 | 4822 502 12865 | Picture tube spindle     |                |                       |
| 21 | 4822 505 10903 | Picture tube nut         |                |                       |
| 22 | not applicable | EHT cable                |                |                       |
| 23 | 4822 157 62613 | Degaussing coil 21"      |                |                       |
| 24 | 4822 131 20324 | Picture tube A51EAM31X45 |                |                       |
| 25 | 4822 532 61148 | Insert fixing stand      |                |                       |