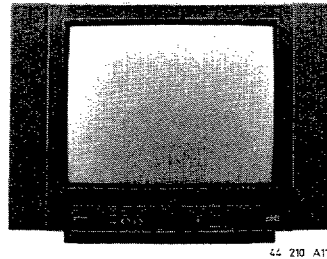


Service
Service
Service



44 210 A11

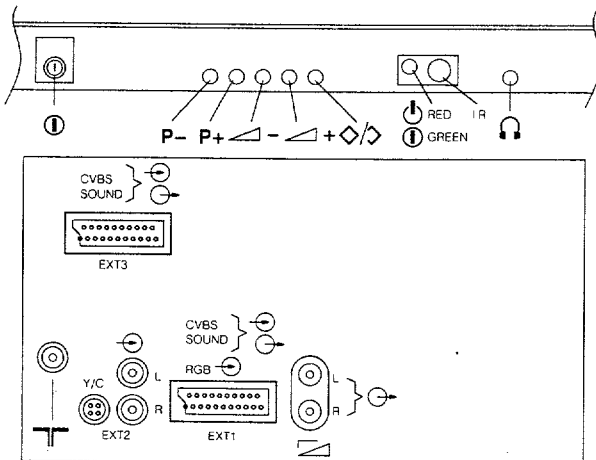
- 28ST1637/39B
- 28ST1714/10V/22B
/28B/30V/33B/36B
- 28ST1734/22B/28B
- 28ST1814/32B
- 28ST1414/33R

Service Manual

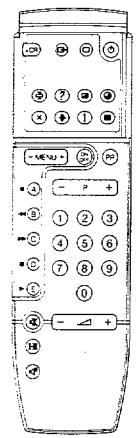
Safety regulations require that the set be restored to its original condition and that parts which are identical with those specified be used.

Chassis GR2.1

Les normes de sécurité exigent que l'appareil soit remis à l'état d'origine et que soient utilisées les pièces de rechange identiques à celles spécifiées.



MDA 02983
T19/112



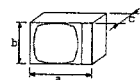
RC6512



220-240 V (± 10%)
140W max.



UV916: 45-855 MHz



a x b x c
28": 788x581x485 mm



2 x 10W
8Ω



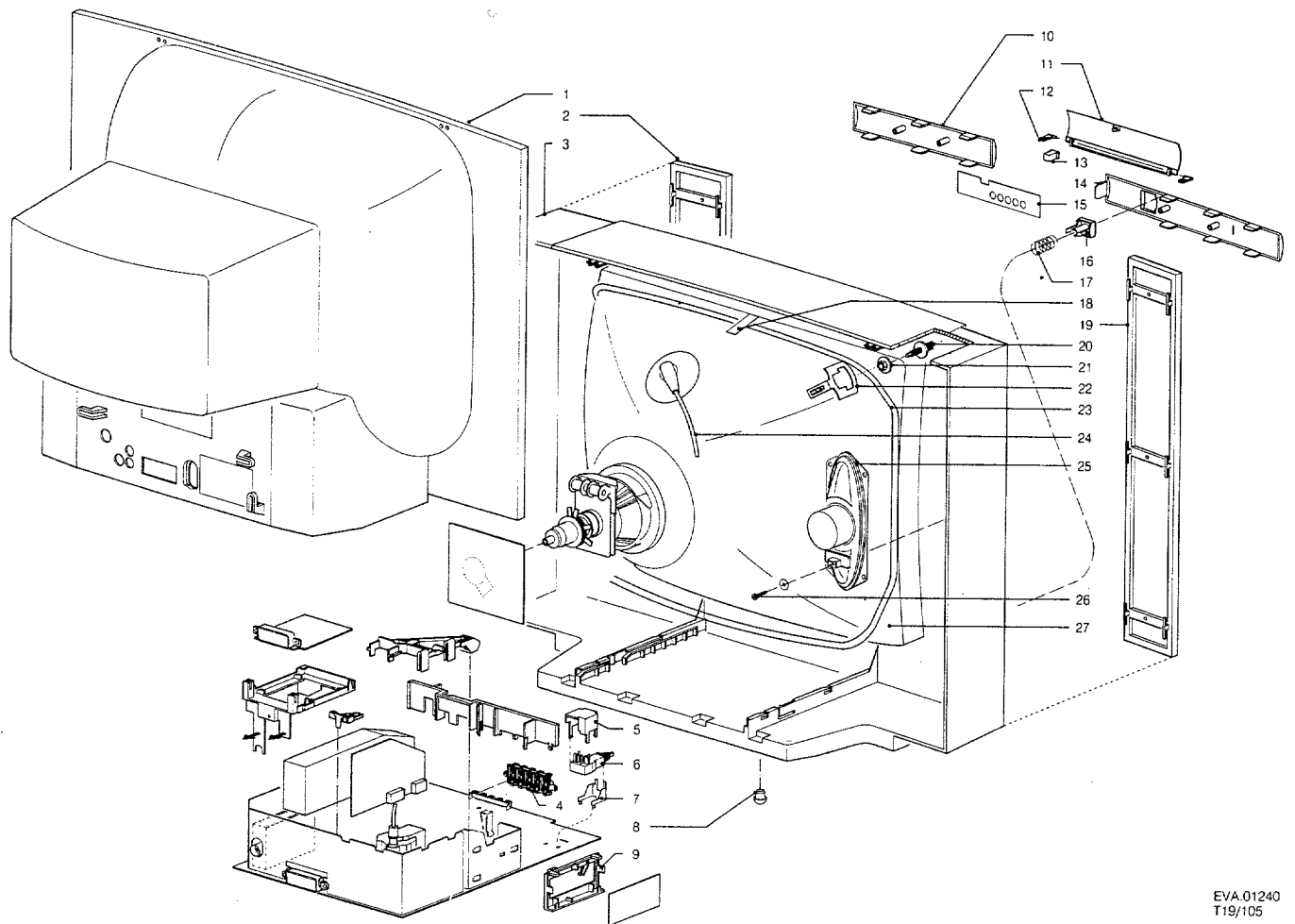
- 7/39B: PAL BGI
SECAM BGLL
- 4/10V/22B/28B/30V: PAL BG
- 4/32B/33B/33R/36B: PAL BG
NICAM

OPTIONS

	PIP	2ND SCART	TELETEXT	AUTO STORE	MULTI SYSTEM	HYPERBAND	JHE ONLY	NICAM TWIN
- 7/39B	X	X	X	X	X	X		
- 4/10V/22B/28B/30V	X	X	X	X	X	X		
- 4/32B/33B/33R/36B	X	X	X	X	X	X		X



PHILIPS



EVA.01240
T19/105

1	4822 438 40194	Rear cover 28"	20	4822 502 12865	Picture tube spindle
1	4822 438 40206	Rear cover 28" for 28ST1714/30B	21	4822 505 10903	Picture tube nut
2	4822 458 50348	Grill right 28"	22	4822 404 30869	Degaussing coil bracket
3	4822 430 50792	Cabinet 28"	23	4822 157 53091	Degaussing coil 28"
3	4822 430 50822	Cabinet 28" for 28ST1414	23	4822 157 63752	Degaussing coil 28" for 28ST1637 & 28ST1414
4	4822 410 61347	Control knob assy	24	4822 320 20172	EHT cable assy
5	4822 432 92152	Mains switch cover	24	4822 320 20182	EHT cable assy for 28ST1637
5	4822 276 12916	Mains switch	25	4822 240 40162	Loudspeaker
6	4822 053 21915	Res. 9M1 (on mains switch)	25	4822 240 90163	Loudspeaker for 28ST1714/30B
7	4822 404 31058	Bracket fixing mains switch	26	4822 502 30672	Screw 10x3 mm
8	4822 462 71537	Foot	26	4822 502 13712	Screw 12x3 mm
9	4822 404 31181	Bracket fixing mains module	27	4822 131 20317	Picture tube A66EAK22X13
10	4822 432 92747	Front cover right 28"	27	4822 131 20308	Picture tube A66EAK51X03
10	4822 432 92865	Front cover right 28" for 28ST1637			
10	4822 432 92781	Front cover right 28" for 28ST1414	4822 218 21077	Remote control RC6512	
11	4822 432 92748	Door	4822 432 92761	Battery cover RC6512	
11	4822 432 92782	Door for 28ST1414	4822 432 92762	Top cover RC6512	
12	4822 432 92754	Hinge	4822 532 61148	Insert fixing stand for 28ST1414	
13	4822 417 50252	Locking mechanism			
14	4822 432 92746	Front cover left 28"			
14	4822 432 92667	Front cover left 28" for 28ST1414			
15	4822 454 12742	Indication strip			
16	4822 410 61351	Mains knob			
16	4822 410 61425	Mains knob for 28ST1414			
17	4822 492 32656	Spring behind mains knob			
18	4822 404 30709	Degaussing coil clip			
19	4822 458 50349	Grill left 28"			