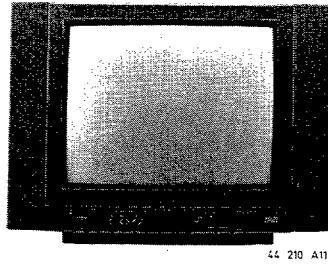


Service  
Service  
Service



44 210 A11

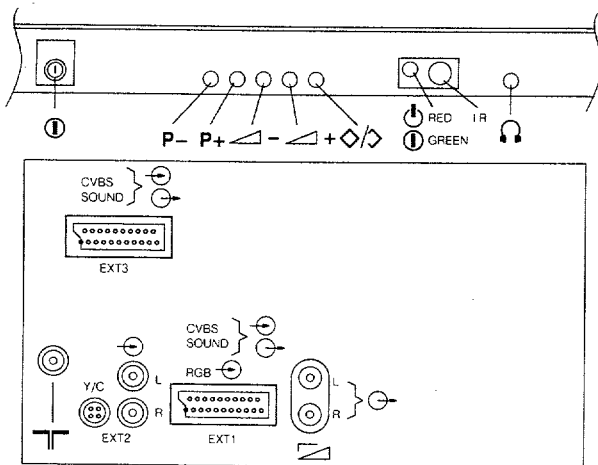
- 25ST1704/30B
- 25ST1707/30B
- 25ST1724/05B  
/10B/16B
- 25ST1804/12B
- 28ST1637/19B
- 28ST1714/30B
- 28ST1717/30B
- 28ST1814/12B/13R

# Service Manual

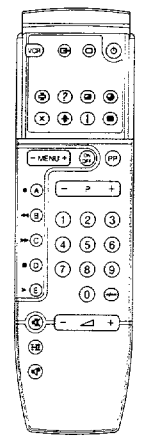
Safety regulations require that the set be restored to its original condition and that parts which are identical with those specified be used.

Chassis GR2.1

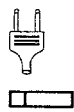
Les normes de sécurité exigent que l'appareil soit remis à l'état d'origine et que soient utilisées les pièces de rechange identiques à celles spécifiées.



MDA 02983  
T19/112



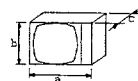
RC6502



220-240 V ( $\pm 10\%$ )  
140W max.



UV916: 45-855 MHz  
UV944: 468-889 MHz



a x b x c  
25": 730x535x447 mm  
28": 788x581x485 mm



2 x 10W  
8 $\Omega$



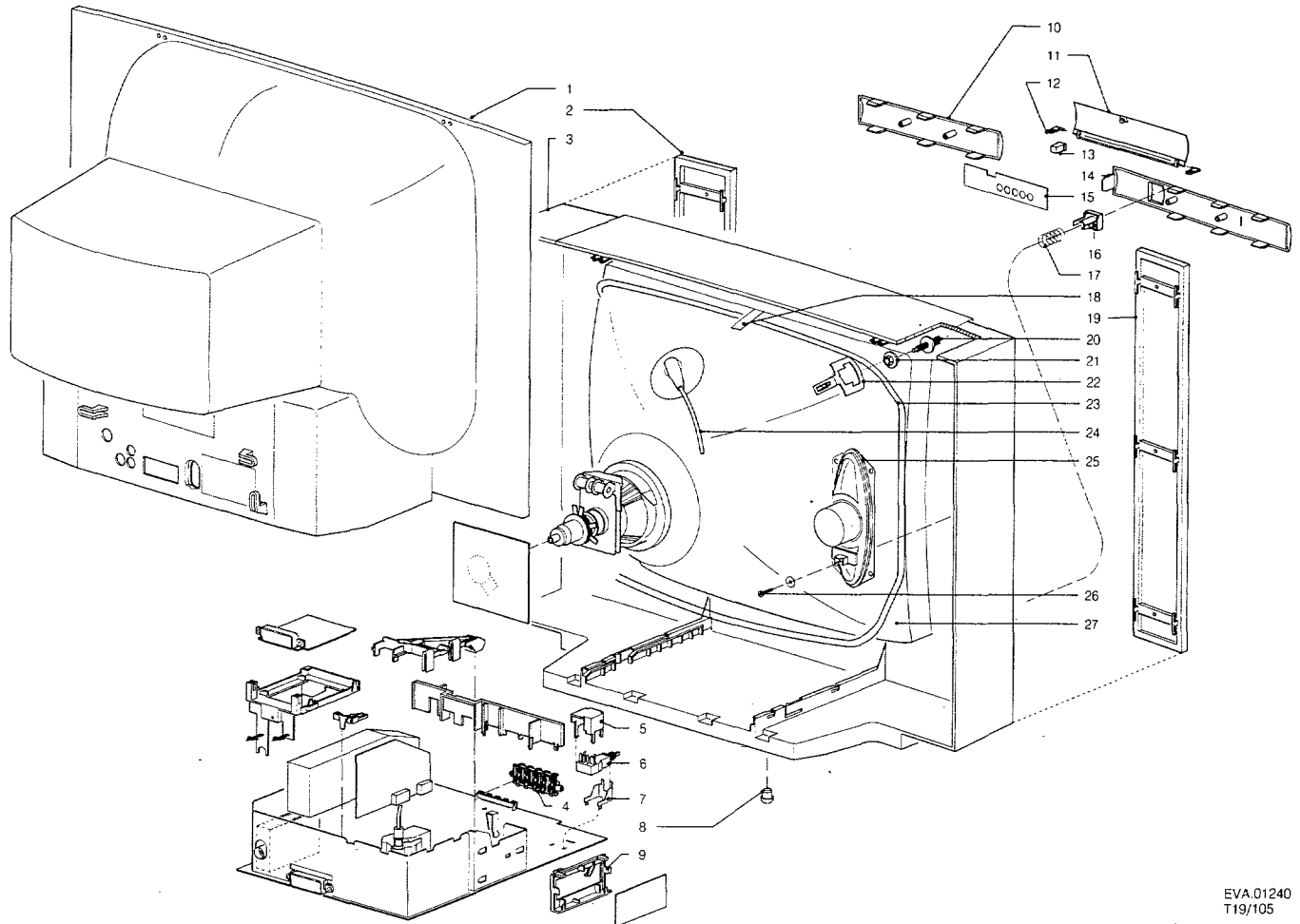
- 7/19B/30B: PAL BGI  
SECAM BGLL
- 4/05B: PAL I NICAM
- 4/10B/30B: PAL BG
- 4/12B/13R/16B: PAL BG NICAM

## OPTIONS

	PIP	2ND SCART	TELETEXT	AUTO STORE	MULTI SYSTEM	HYPERBAND	UHF ONLY	NICAM TWIN
- 7/19B	X	X	X	X				
- 7/30B	X	X	X	X	X			
- 4/05B		X	X	X			X	X
- 4/10B/30B	X	X	X	X		X		
- 4/12B/13R/16B	X	X	X	X		X		X



**PHILIPS**



EVA.01240  
T19/105

1	4822 438 40195	Rear cover 25"	16	4822 410 61351	Mains knob
1	4822 438 40205	Rear cover 25" for 25ST1704/30B	16	4822 410 61825	Mains knob for 25ST1724/10B/16B
1	4822 438 40194	Rear cover 28"	17	4822 492 32656	Spring behind mains knob
1	4822 438 40206	Rear cover 28" for 28ST1714/30B	18	4822 404 30709	Degaussing coil clip
2	4822 458 50346	Grill right 25"	19	4822 458 50347	Grill left 25"
2	4822 458 50374	Grill right 25" for 25ST1724/10B/16B	19	4822 458 50373	Grill left 25" for 25ST1724/10B/16B
2	4822 458 50348	Grill right 28"	19	4822 458 50349	Grill left 28"
3	4822 430 50793	Cabinet 25"	20	4822 502 12865	Picture tube spindle
3	4822 430 50809	Cabinet 25" for 25ST1724/10B/16B	21	4822 505 10903	Picture tube nut
3	4822 430 50792	Cabinet 28"	22	4822 404 30869	Degaussing coil bracket
4	4822 410 61347	Control knob assy	23	4822 157 53067	Degaussing coil 25" for 25ST1724
5	4822 432 92152	Mains switch cover	23	4822 157 63747	Degaussing coil 25" for 25ST1724
6	4822 276 12916	Mains switch	23	4822 157 53091	Degaussing coil 28"
6	4822 053 21915	Res. 9M1 (on mains switch)	23	4822 157 63752	Degaussing coil 28" for 28ST1637
7	4822 404 31058	Bracket fixing mains switch	24	4822 320 20172	EHT cable assy
8	4822 462 71537	Foot	24	4822 320 20182	EHT cable assy for 25ST1724 & 28ST1637
9	4822 404 31181	Bracket fixing mains module	25	4822 240 40162	Loudspeaker
10	4822 432 92756	Front cover right 25"	25	4822 240 90163	Loudspeaker for 25ST1704/30B & 28ST1714/30B
10	4822 432 92884	Front cover right 25" for 25ST1724/05B	26	4822 502 30672	Screw 10x3 mm
10	4822 432 92885	Front cover right 25" for 25ST1724/10B/16B	26	4822 502 13712	Screw 12x3 mm
10	4822 432 92747	Front cover right 28"	27	4822 131 20345	Picture tube A59EAK22X13
10	4822 432 92865	Front cover right 28" for 28ST1637	27	4822 131 20309	Picture tube A59EAK01X03
11	4822 432 92748	Door	27	4822 131 20317	Picture tube A66EAK22X13
12	4822 432 92754	Hinge	27	4822 131 20308	Picture tube A66EAK51X03
13	4822 417 50252	Locking mechanism			
14	4822 432 92755	Front cover left 25"			
14	4822 432 92888	Front cover left 25" for 25ST1724/10B/16B	4822 218 21018		Remote control RC6502
14	4822 432 92746	Front cover left 28"	4822 432 92761		Battery cover RC6502
15	4822 454 12742	Indication strip	4822 432 92762		Top cover RC6502
			4822 462 10479		Stand (for -/05B)
			4822 532 61148		Insert fixing stand