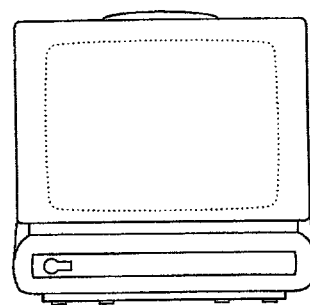


Service  
Service  
Service



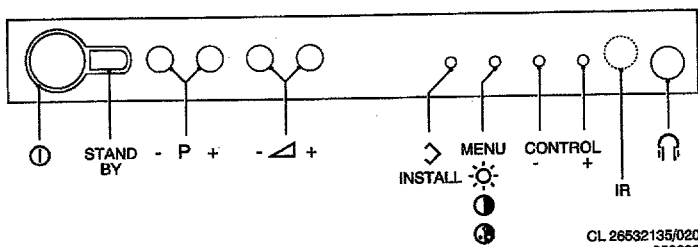
CL 26532134/033  
180293

# Service Manual

Safety regulations require that the set be restored to its original condition and that parts which are identical with those specified be used.

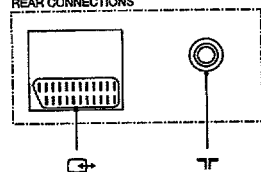
Les normes de sécurité exigent que l'appareil soit remis à l'état d'origine et que soient utilisées les pièces de rechange identiques à celles spécifiées.

## CHASSIS ANUBIS A

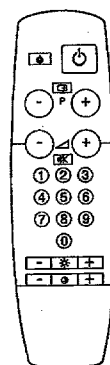


CL 26532135/020  
050293

REAR CONNECTIONS



CL 26532053/023  
290692



CL 26532134/021  
050293

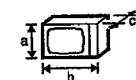
RC9131



220-240 V ( $\pm 10\%$ )  
50 W



A34JFQ40X04  
4822 131 20316



axbxc  
383x392x360 mm



1x1W



-/00 : PAL B/G

-/01 : PAL B/G  
SECAM B/G/L/L'/I

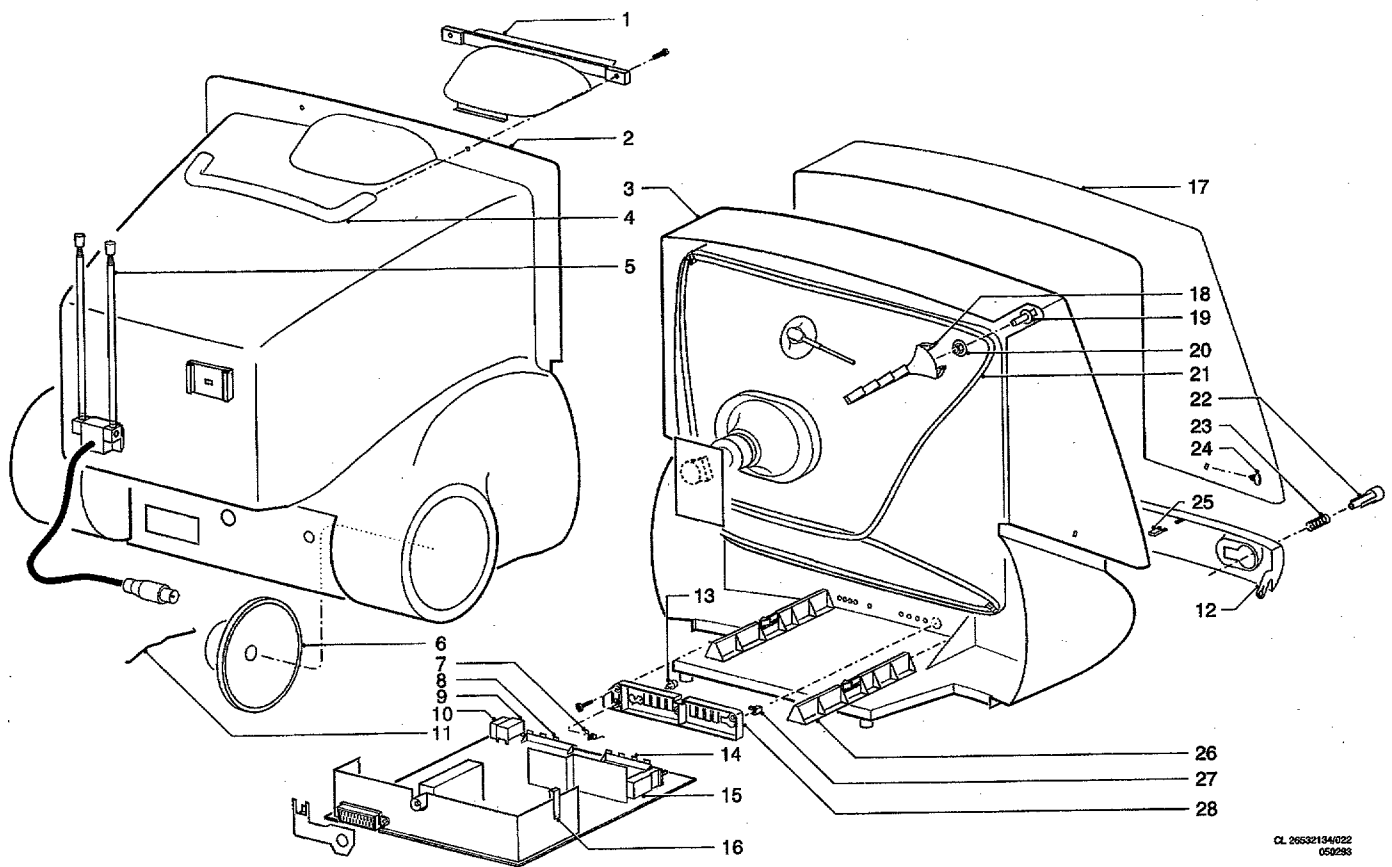


**UV917E**  
VHF<sub>a</sub> : 46-118 MHz  
VHF<sub>b</sub> : 118-300 MHz  
UHF : 470-861 MHz

**UV915E**  
Only for -/01  
VHF<sub>a</sub> : 46-118 MHz  
VHF<sub>b</sub> : 118-300 MHz  
Hyper : 300-470 MHz  
UHF : 470-861 MHz



**PHILIPS**



CL 26532134/022  
059283

1	4822 403 70939	Bracket for handle
2	4822 438 10422	Rear cover
3	4822 430 10447	Cabinet
4	4822 498 10489	Handle
5	4822 303 50077	Aerial assy
6	4822 240 30565	Loudspeaker
7	4822 492 71365	Spring for damper
8	4822 410 62628	Switch assy for installation
9	4822 218 20981	Receiver RC5
10	4822 267 31292	Headphone socket
11	4822 492 71364	Loudspeaker spring
12	4822 432 93104	Door your TV-3
13		
14	4822 410 62628	Controls switches
15	4822 276 12597	Mains switch
16		
17	4822 450 62075	Screen
18	4822 404 30753	Bracket fixing degaussing coil
21	4822 157 51636	Degaussing coil
22	4822 410 62627	Mains knob
23	4822 492 32656	Spring for mains knob
24	4822 417 50284	Special screw for screen
25	4822 278 10088	Click for door
26	4822 403 70941	Bracket for chassis
27	4822 381 11419	Lens for led
28	4822 410 62628	Knob assy for controls
	4822 218 21166	Remote controle RC9131