

Service Manual

ViewSonic 15ES-2

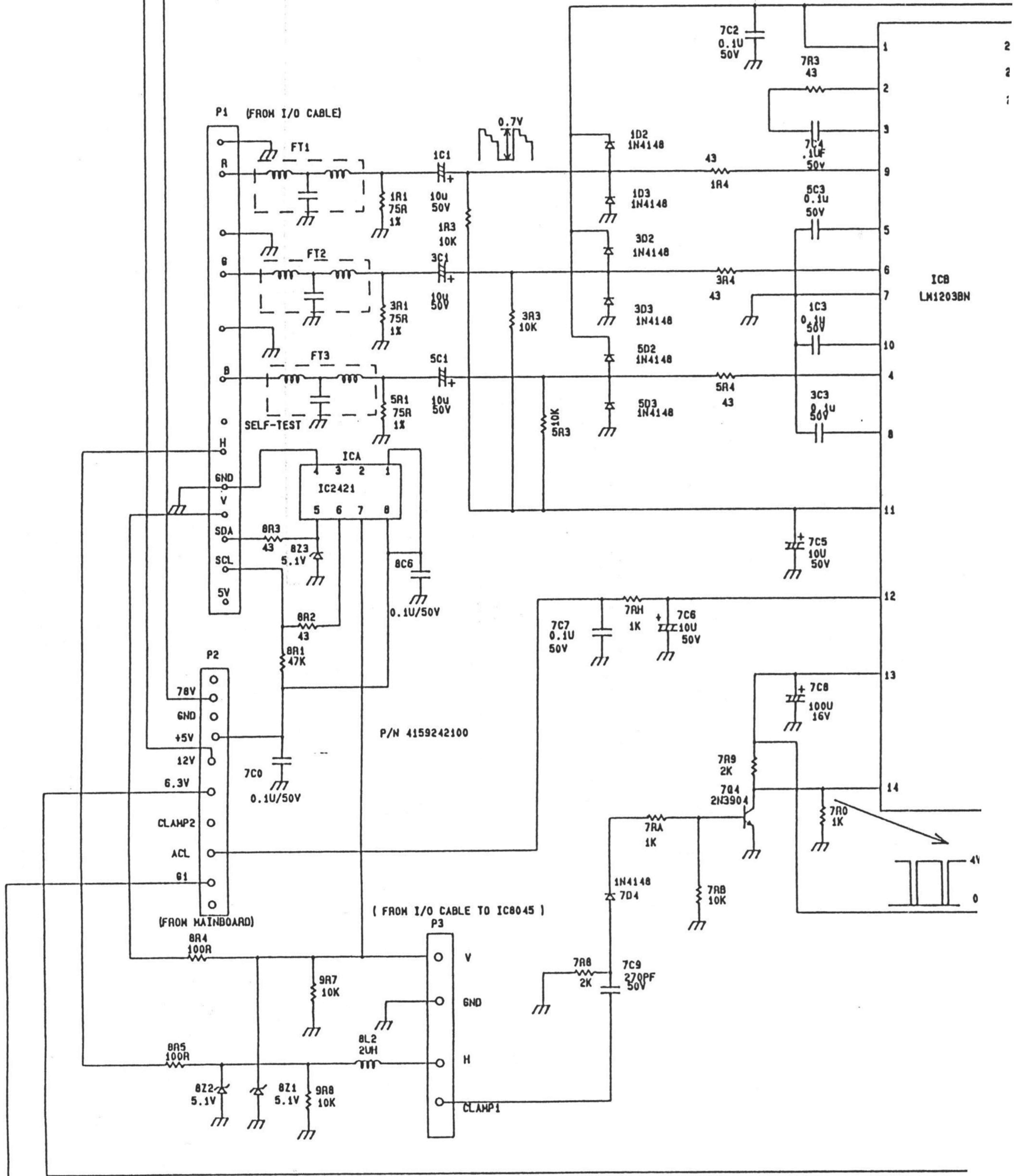
Model No. 1562ES-2

*15" Analog Controlled Color Monitor
Entré Series*



(Rev. 1 - July 1996)

ViewSonic® 20480 E. Business Parkway, Walnut, California 91789 USA - (800) 888-8583



P1 (FROM I/O CABLE)

R

G

B

SELF-TEST

H

GND

V

SDA

SCL

5V

P2

78V

GND

+5V

12V

6.3V

CLAMP2
ACL
G1

(FROM MAINBOARD)

P/N 4159242100

(FROM I/O CABLE TO IC8045)

P3

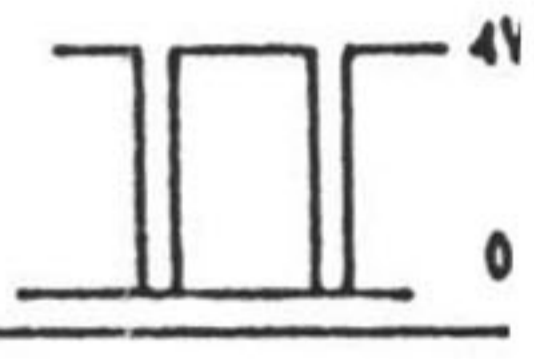
V

GND

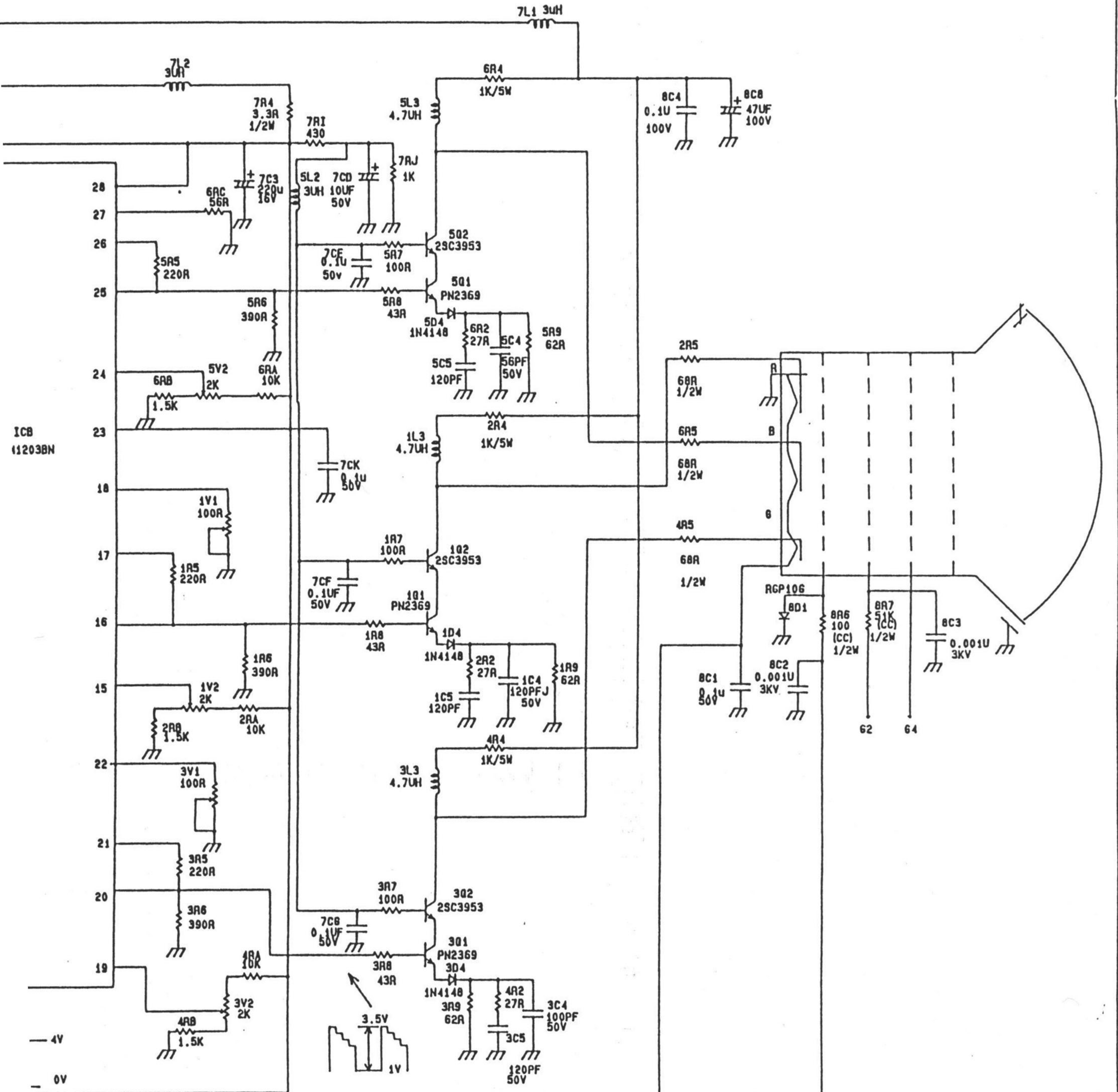
H

CLAMP1

ICB
LM1203BN



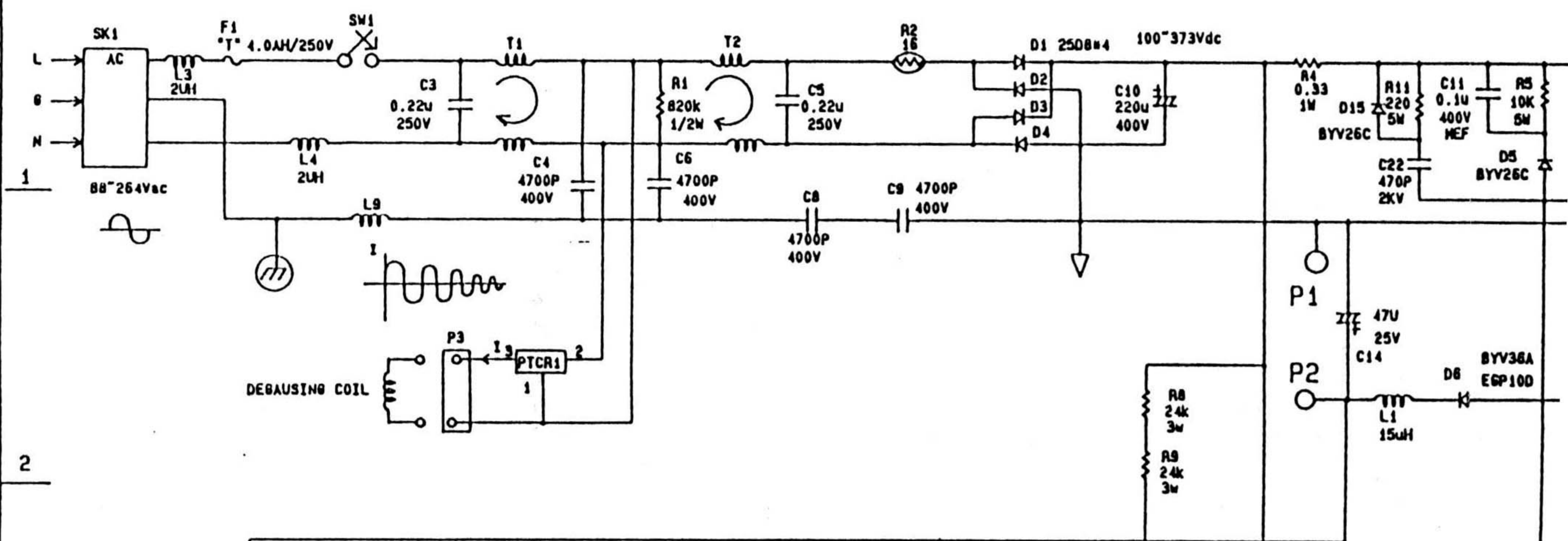
ICB
112038N



ViewSonic Corporation			
DRAWING DATE	TOLERANCE		SCALE
12-26-'95	DIM	ANGLE	/
DRAWER	SHEET		DRAWING NAME
	1 OF 1		VIDEO
MODEL NO.:	1562ES-2		REV: C

A

B

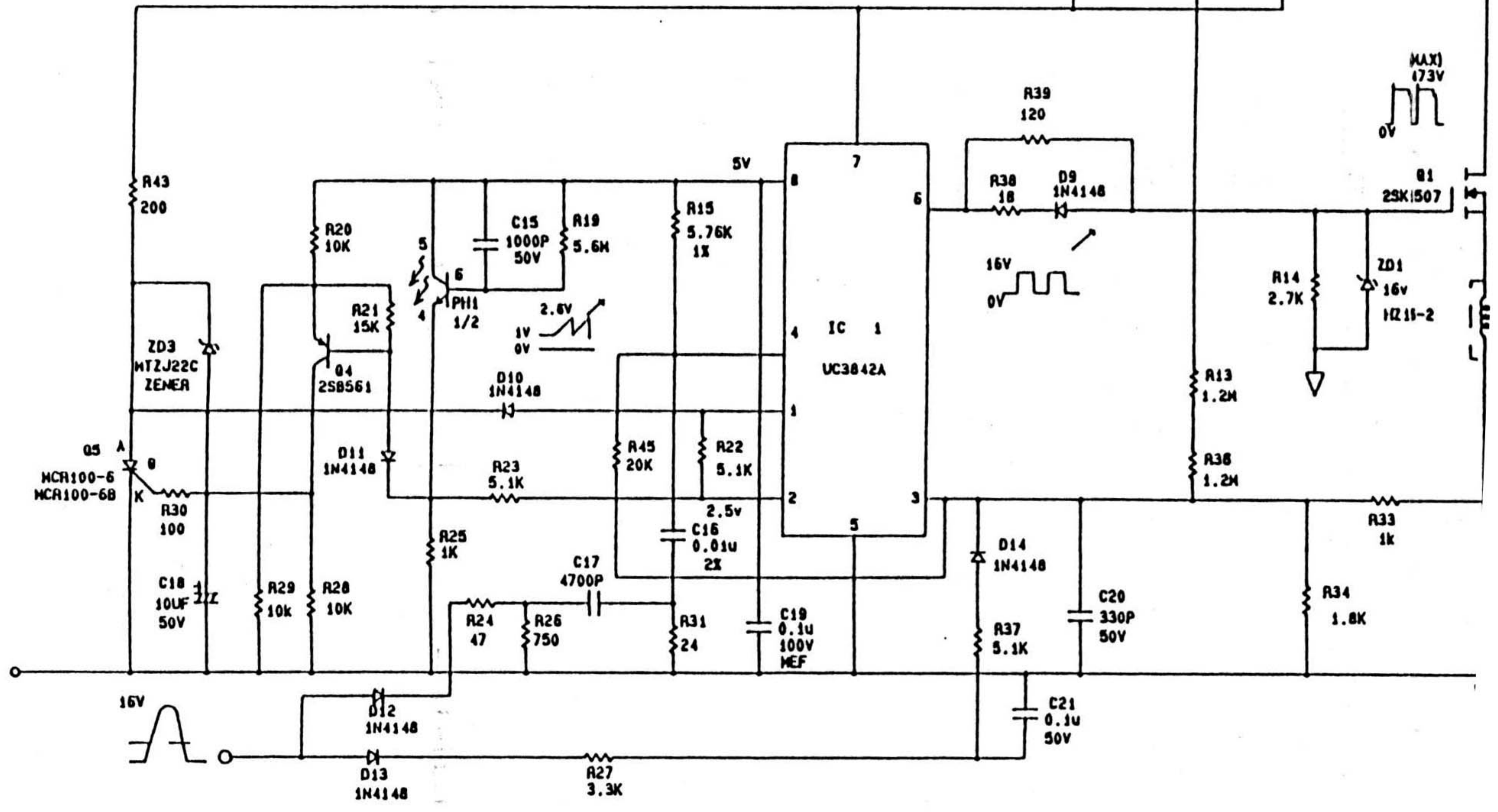


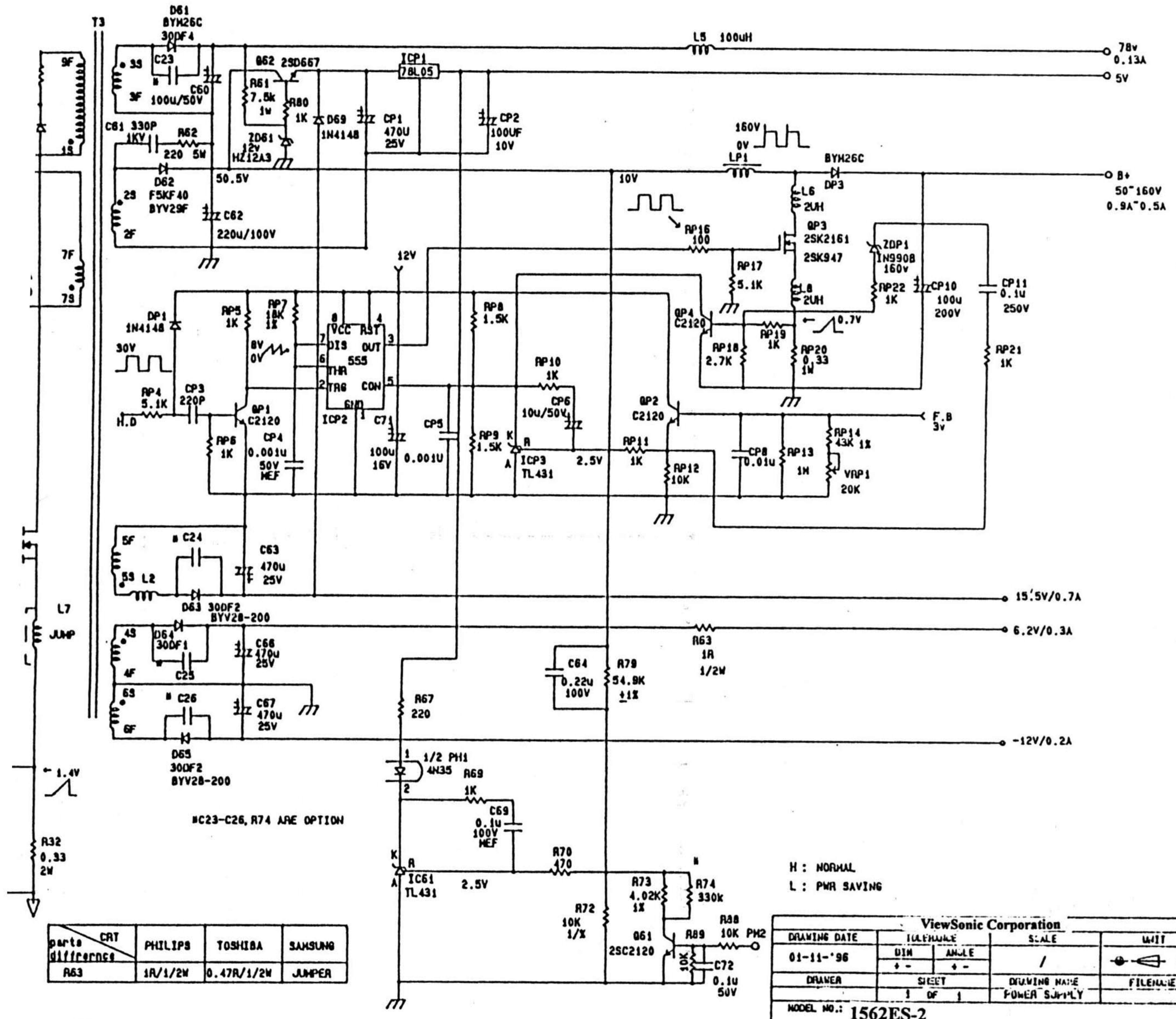
2

3

4

5





R32, C23-C26, R74 ARE OPTION

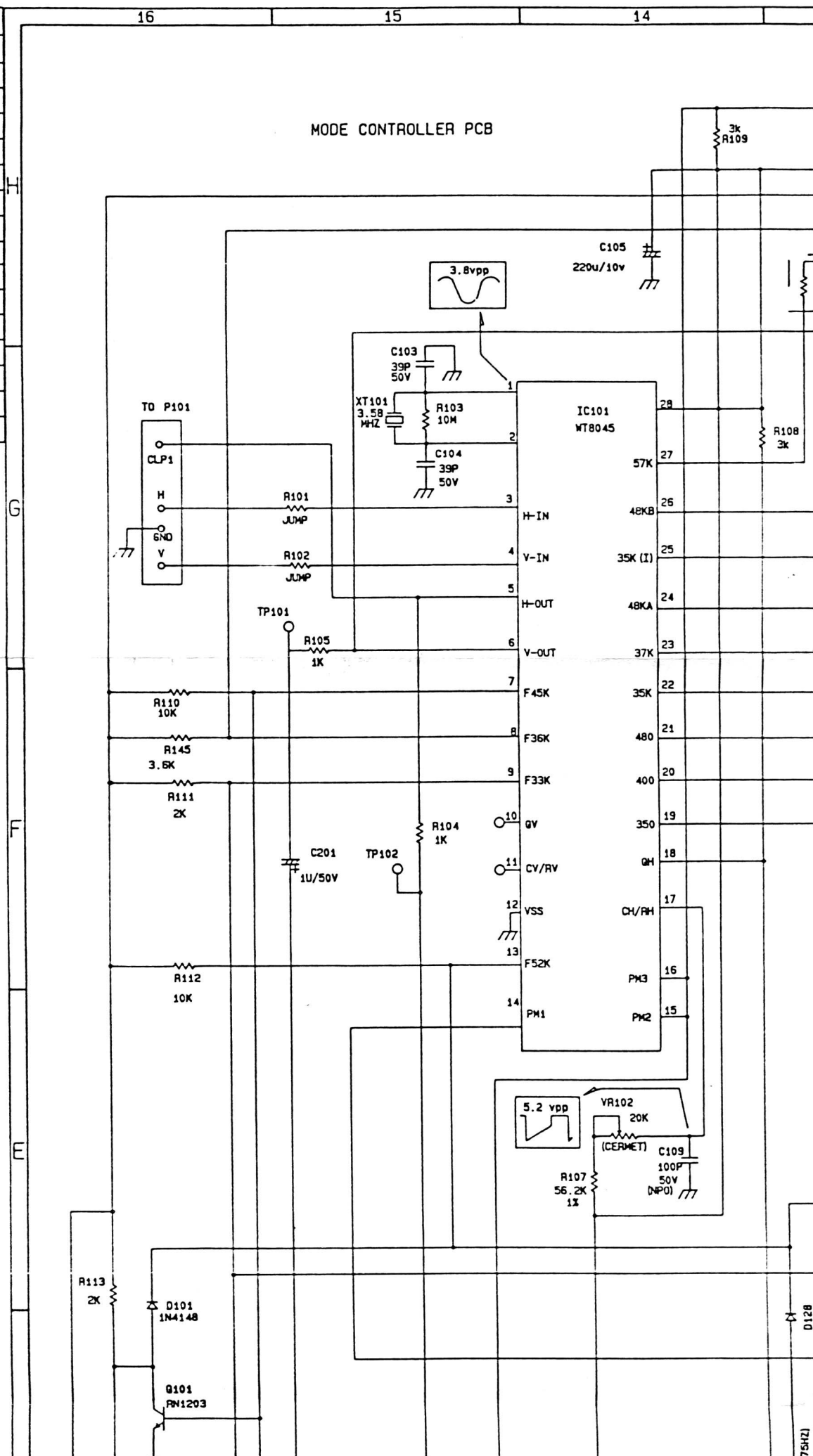
H : NORMAL
L : PWR SAVING

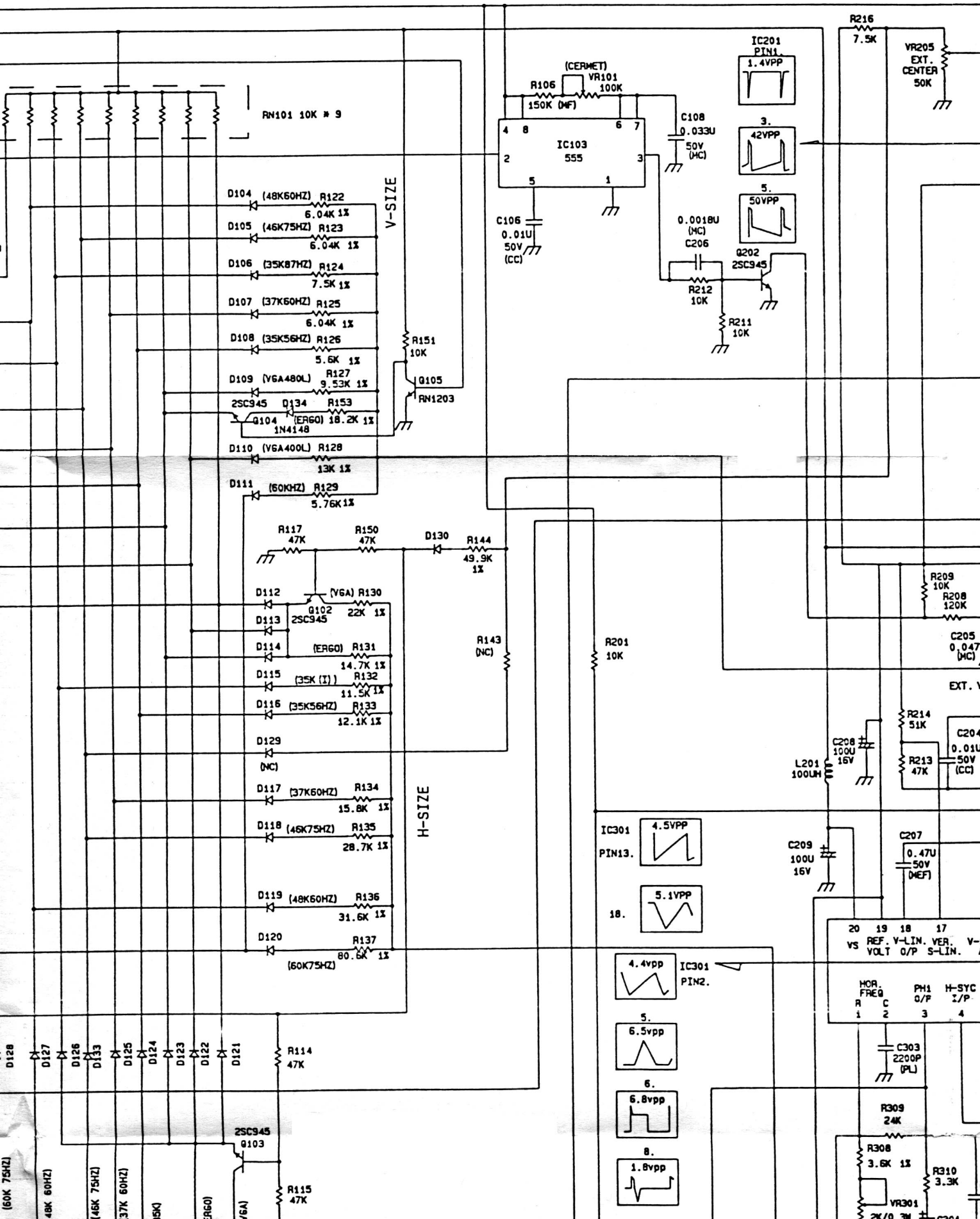
parts difference	CRT	PHILIPS	TOSHIBA	SAMSUNG
R63		1R/1/2W	0.47R/1/2W	JUMPER

ViewSonic Corporation			
DRAWING DATE	TELEPHONE	SCALE	UNIT
01-11-'96	DIM ANGLE	/	MM
DRAWER	SHEET	DRAWING NAME	FILENAME
	1 OF 1	POWER SUPPLY	
MODEL NO.: 1562ES-2			

DATE	ECN/ECO NO.
10-13-'95	N-10029501EG
11-09-'95	N-09299501EG
12-01-'95	O-11159501EQ
12-06-'95	N-11179504EG
12-06-'95	N-11179503EG
12-26-'95	N-11239052PE
12-26-'95	N-11229501PE
01-11-'96	N-12119501PE
01-11-'96	N-12129501PE
01-23-'95	N-01039601RG
02-01-'96	N-01159604EG
02-29-'96	N-01319603PE
03-21-'96	N-02229601PE
03-21-'96	N-02229602PE
04-09-'96	O-013096C1EP
04-09-'96	N-02079601PE

MODE CONTROLLER PCB

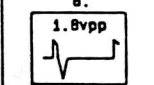
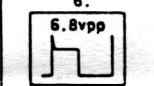
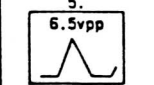
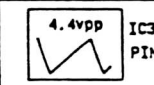
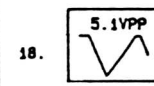
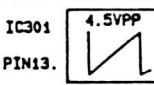
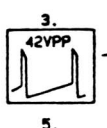
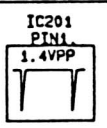
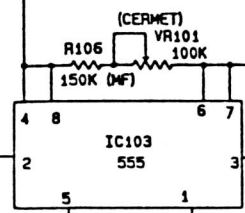




RN101 10K # 9

V-SIZE

H-SIZE



20		19		18		17	
VS REF. V-LIN. VER.				V-			
HOR. FREQ		PH1 O/P		H-SYC I/P		S-LIN.	
R	C	1	2	3	4	1	2



D128 (60K 75HZ)

D127 (48K 60HZ)

D126 (48K 75HZ)

D125 (37K 60HZ)

D124 (5K)

D123 (ER60)

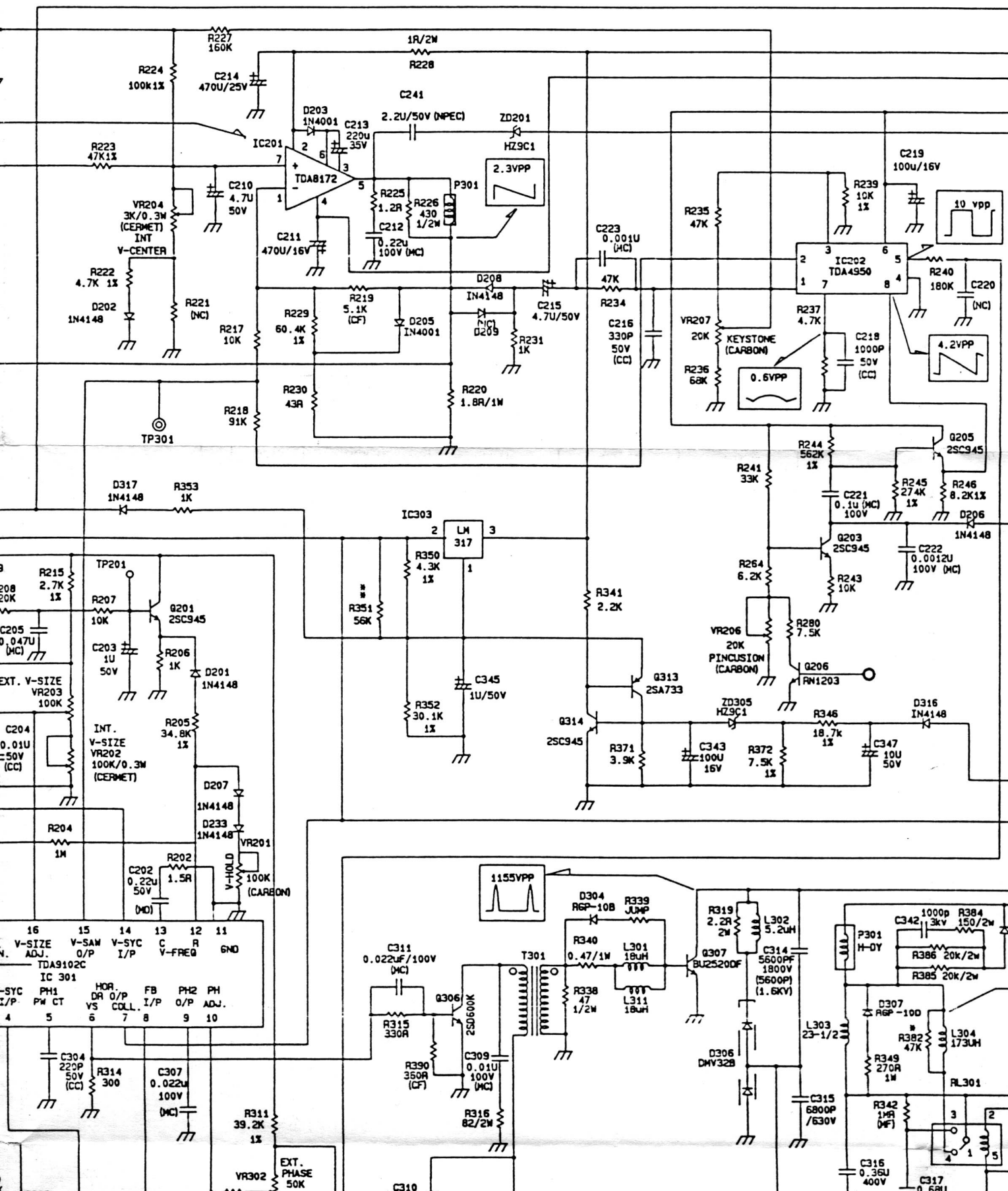
D122 (6A)

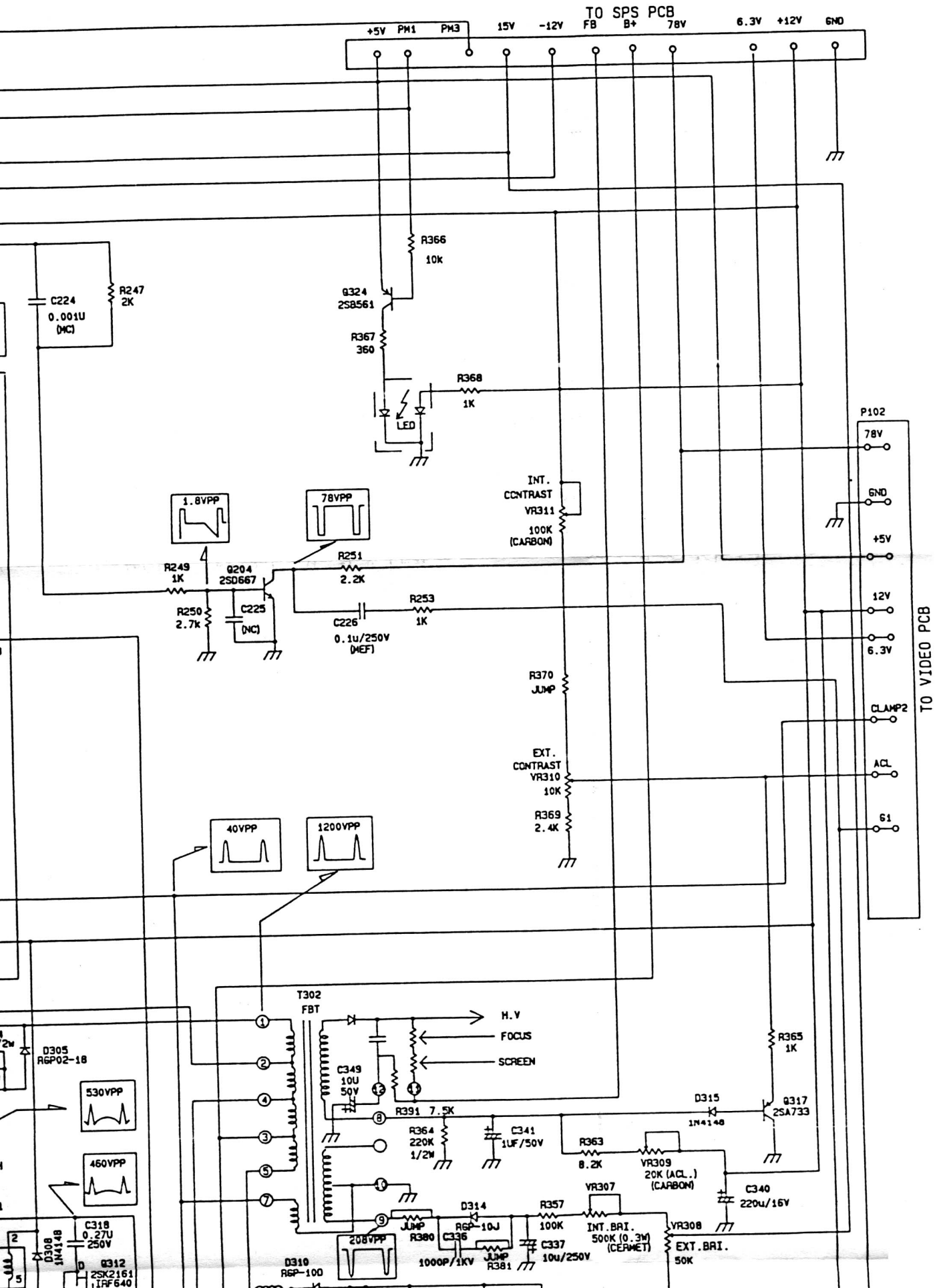
D121

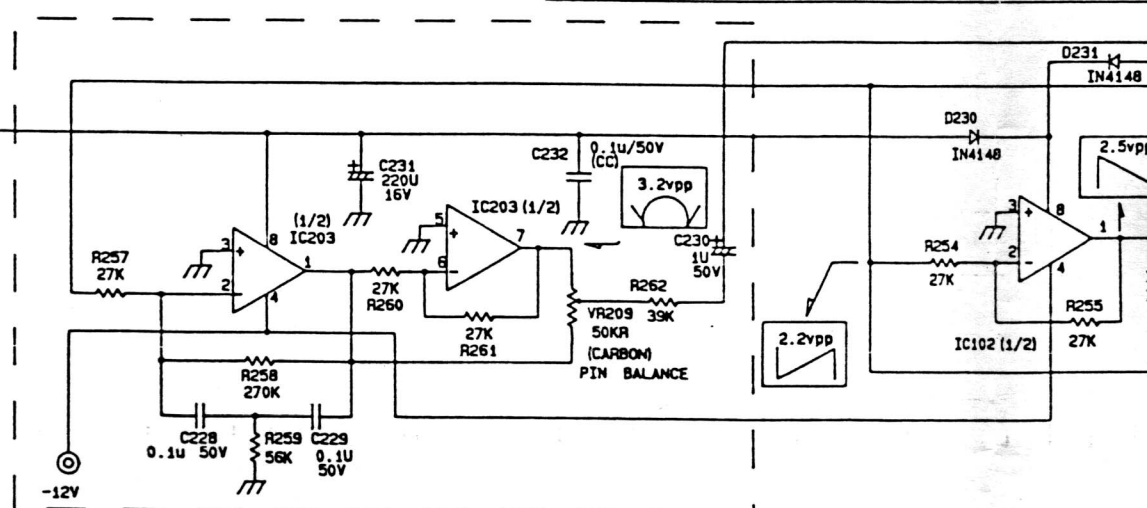
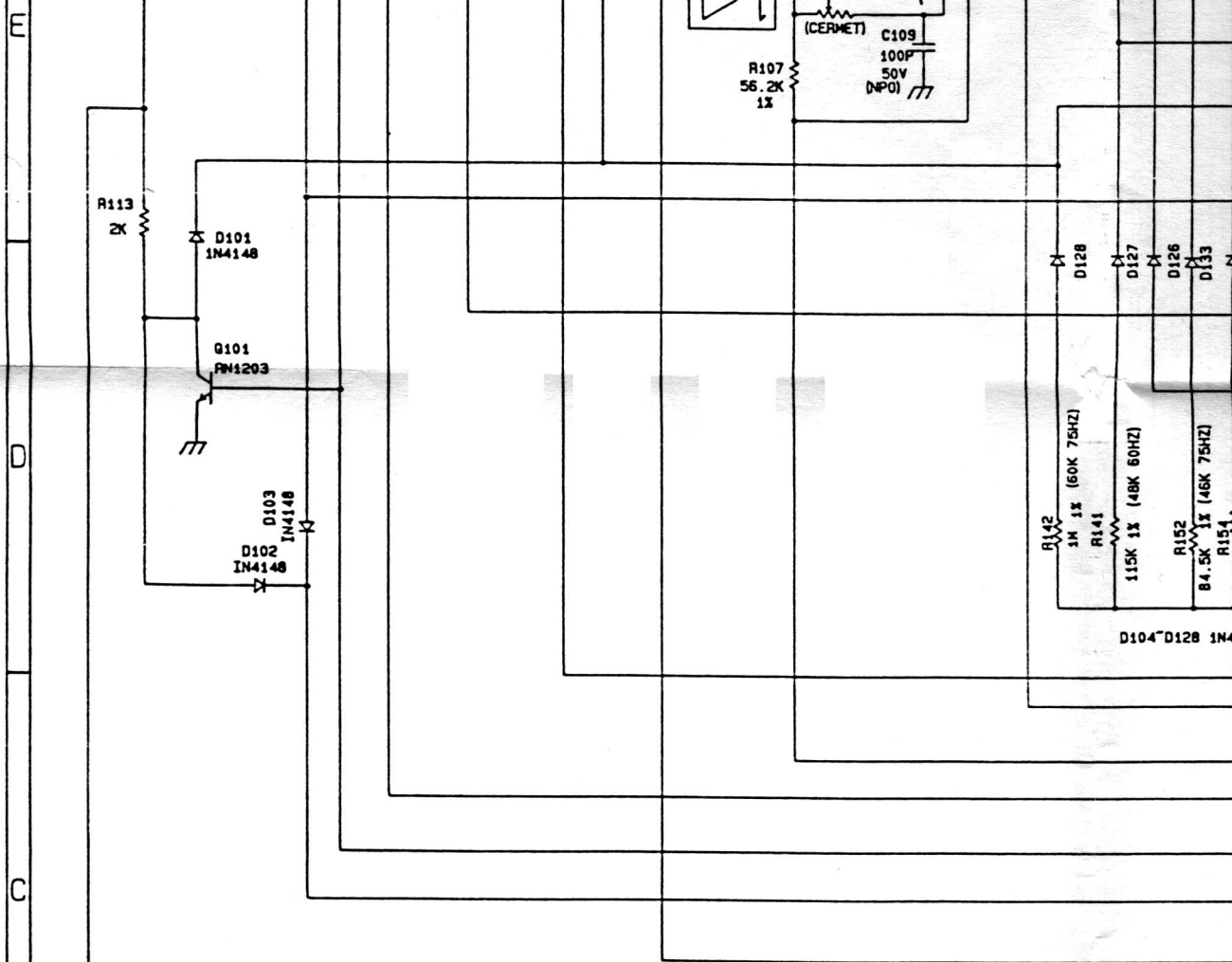
R114 47K

2SC945 Q103

R115 47K

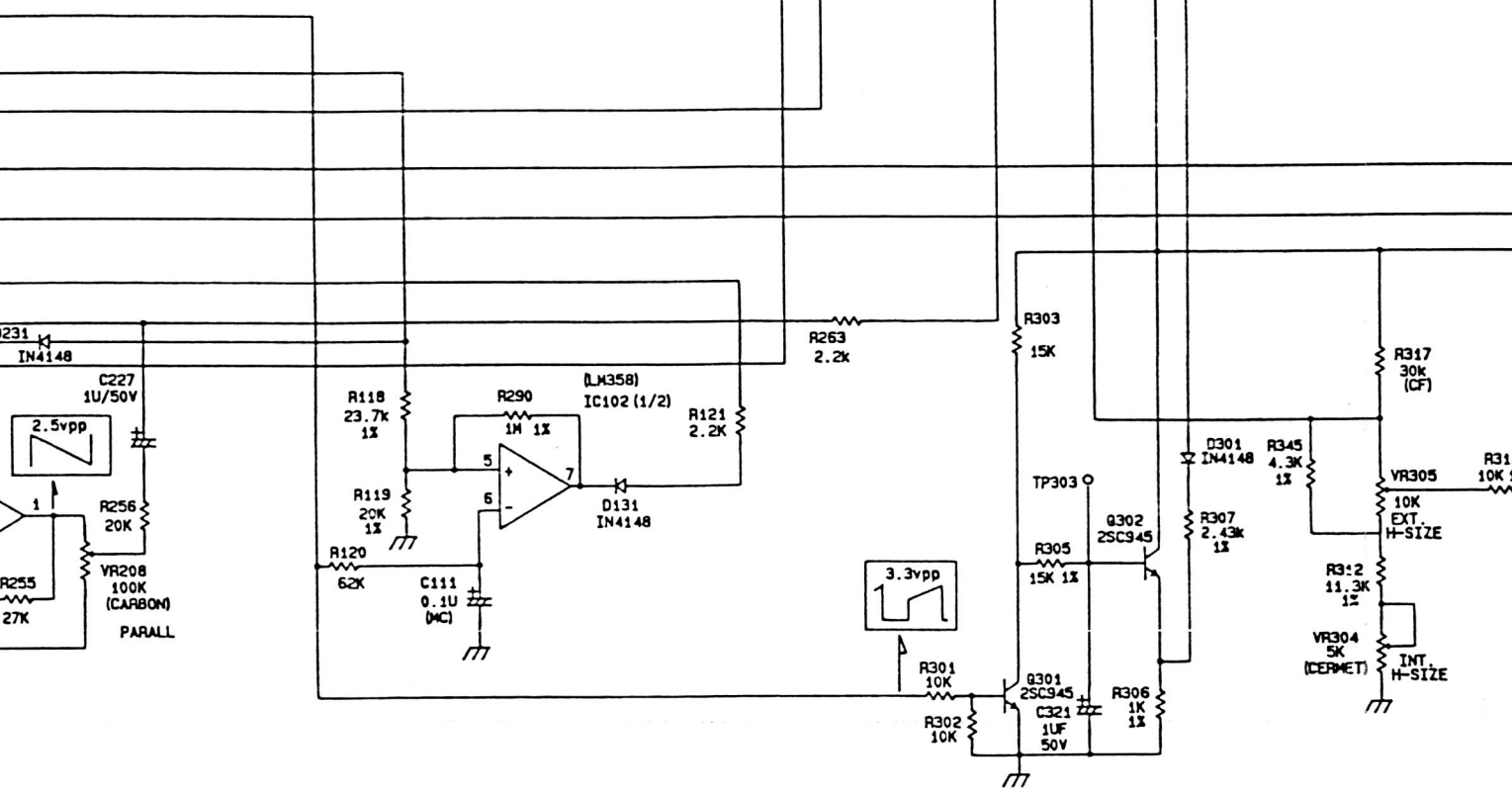
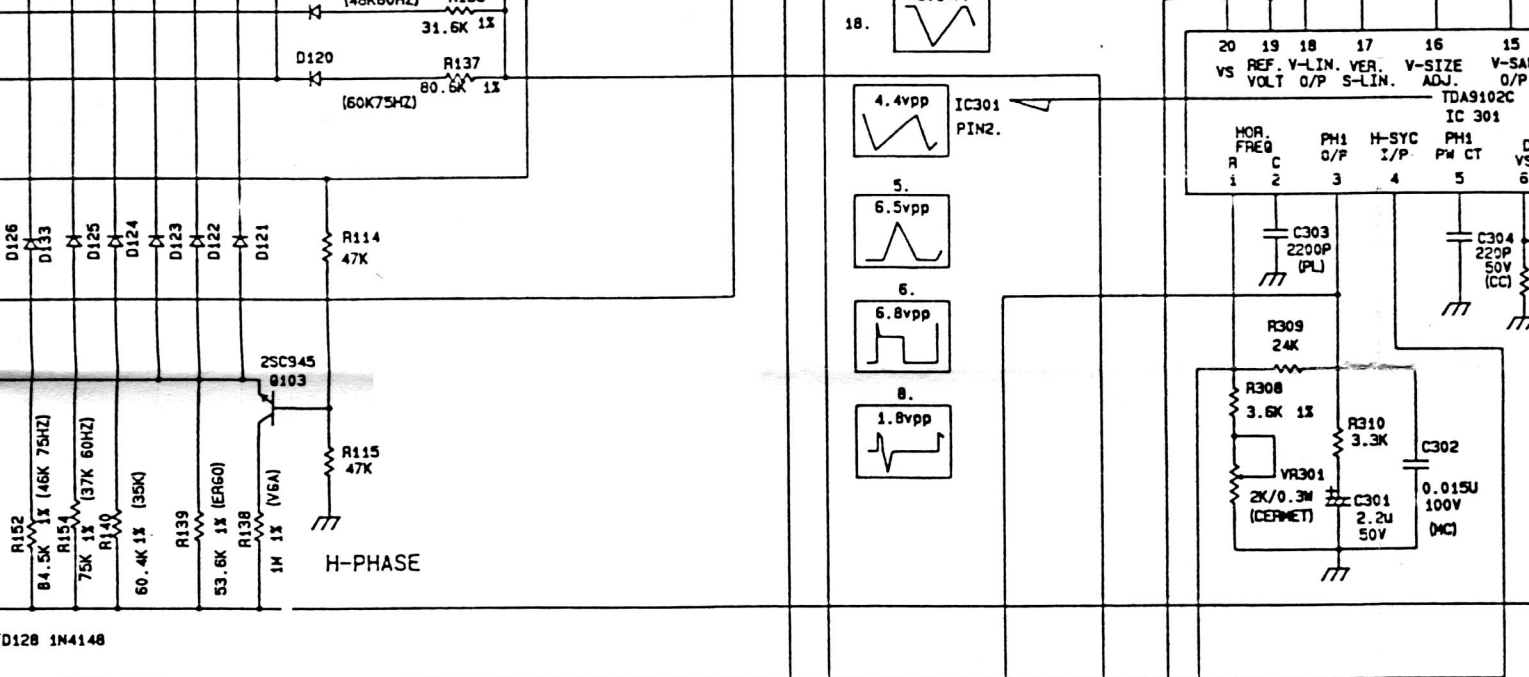




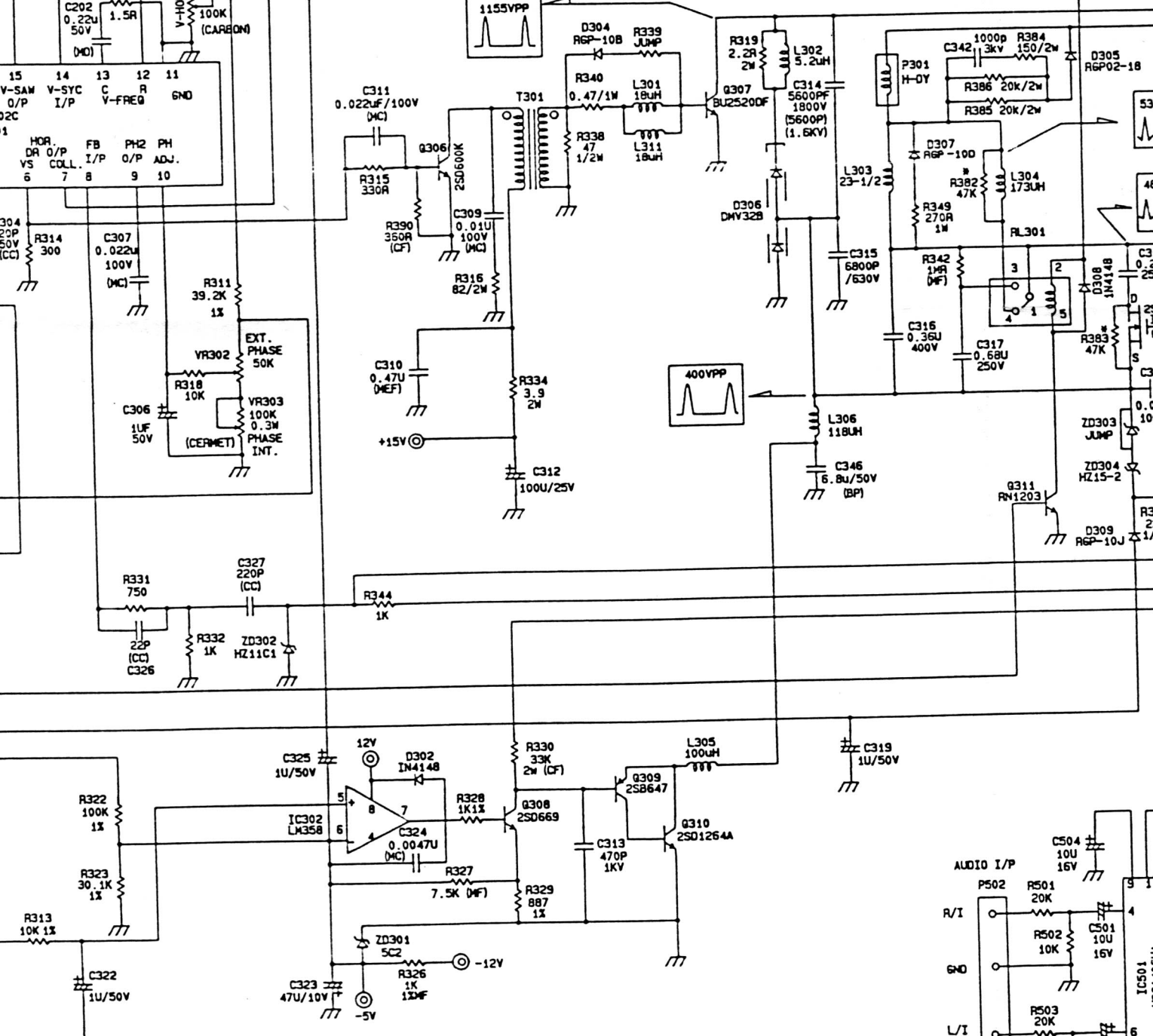


SIGNAL	F33K	F36K	F45K	F52K
H SYNC				
HS < 33K	1	1	1	1
36K > HS 33K	0	1	1	1
45K > HS > 36K	0	0	1	1
52K > HS > 45K	0	0	0	1
60K > HS > 52K	0	0	0	0

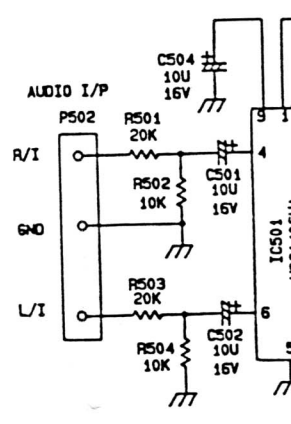
PARTS difference	R220	R215	R213	D201
CRT				
PHILIPS	1.5R/1W	4.3K	NC	1N40
TOSHIBA	1.8R/1W	2K	47K	NC
SAHNSUNG ONLY FOR PMS-5K4A/B PMS-5C4A/B	1.5R/1W	4.3K	NC	1N40

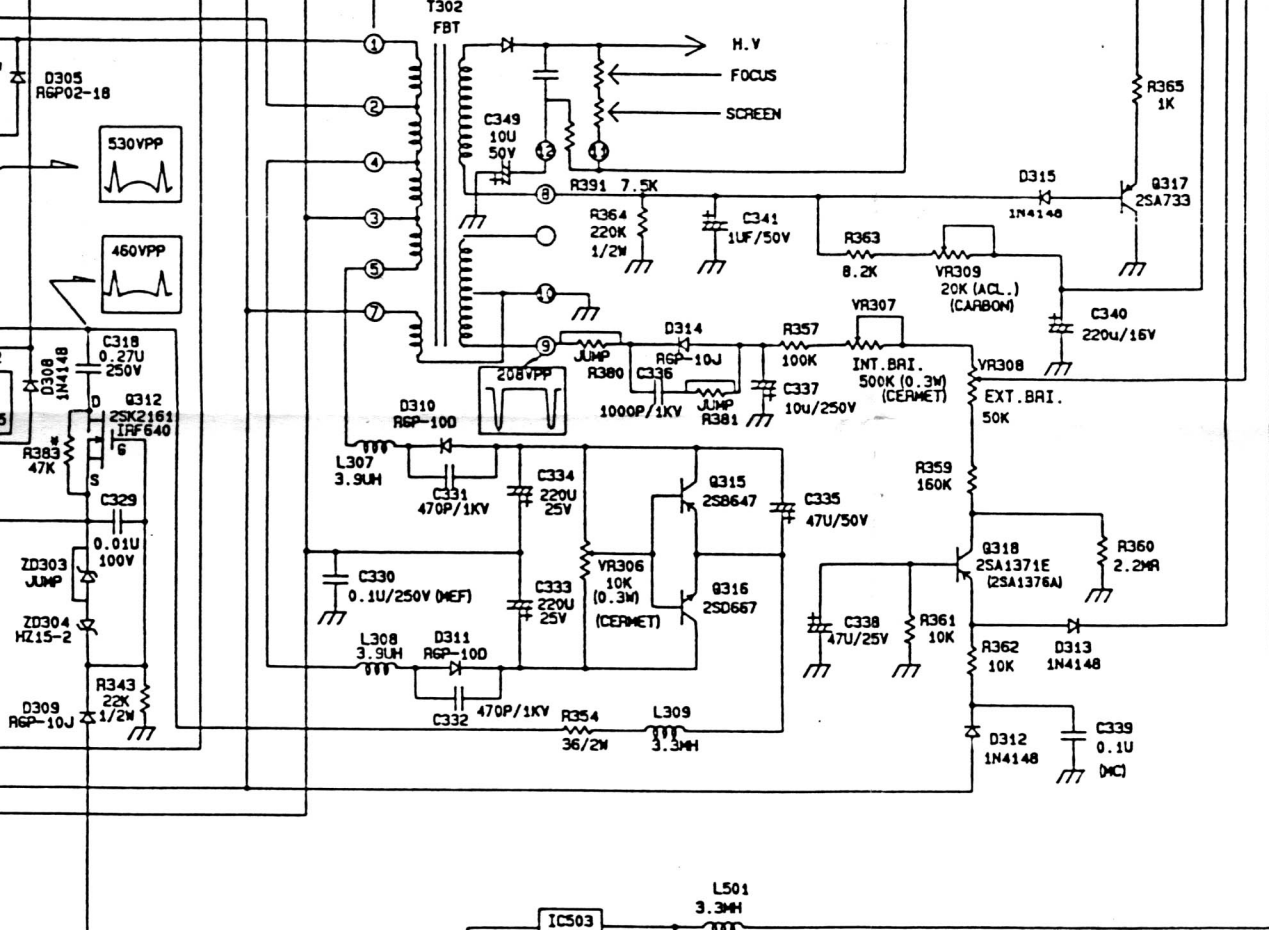


13	D205	R229	R230	R241	R226	R385	R386	R384	C342	D305	C317	C318	FBT
NC	1N4001	60.4K	43R	33K	430R	20K/2W	20K/2W	150R/2W	1000P/3KV	AGP02-18	0.68U/250V	0.27U/250V	7050301500-000
7K	NC	NC	NC	51K	820R	20K/2W	20K/2W	150R/2W	1000P/3KV	AGP02-18	0.68U/250V	0.27U/250V	7050301500-000
NC	1N4001	60.4K	43R	33K	430R	NC	NC	NC	NC	NC	0.62U/400V	0.22U/250V	7050301500-780 (SAMSUNG FBT)

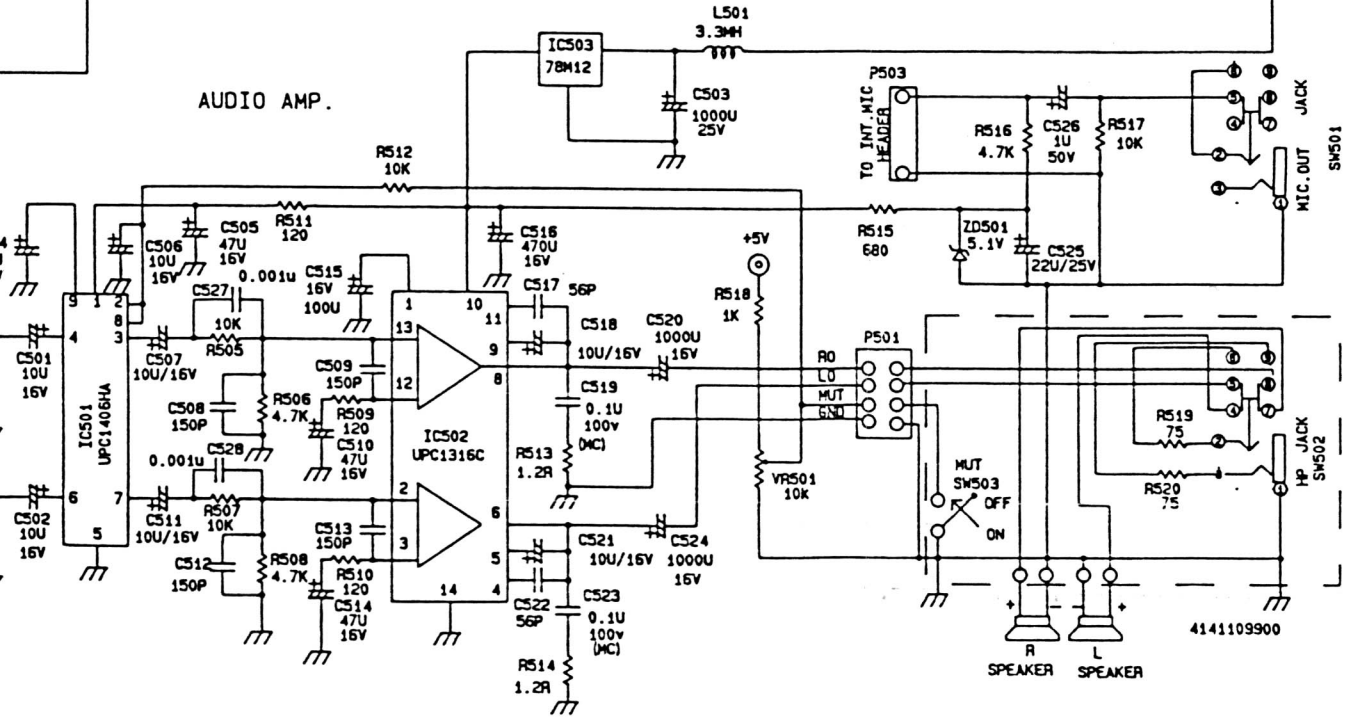


ITEM	PHILIPS CRT	TOSHIBA CRT	SAMSUNG CRT	MATSUSHITA CRT
1	R220 1.5R/1W	1.8R 1W	1.5R 1W	1.8R 1W
2	R215 4.3K 1X	2K 1X	4.3K 1X	2.7K 1X
3	R213 (MC)	47K	(MC)	47K
4	D205 1N4001	(MC)	1N4001	(MC)
5	R229 60.4K 1X	(MC)	60.4K 1X	(MC)
6	R230 43R	(MC)	43R	(MC)
7	R241 33K	51K	33K	51K
8	R226 430R 1/2W	820R 1/2W	430R 1/2W	430R 1/2W
9	R63 1R 1/2W	0.47R 1/2W	JUMP WIRE	0.47R 1/2W
10	R385 20K 2W	20K 2W	(MC)	20K 2W
11	R386 20K 2W	20K 2W	(MC)	20K 2W
12	R384 150R 2W	150R 2W	(MC)	150R 2W
13	C342 1000P 3KV	1000P 3KV	(MC)	1000P 3KV
14	D305 R6P02-18	R6P02-18	(MC)	R6P02-18
15	T302 F.B.T	F.B.T	F.B.T (SAMSUNG)	F.B.T
16	C317 0.68uF 250V	0.68uF/250V	0.62uF 400V	0.68uF 250V
17	C318 0.27uF 250	0.27uF 250V	0.22uF 250V	0.27uF 250V
18	L303 COIL LINEARITY	COIL LINEARITY	COIL LINEARITY	COIL LINEARITY
19	Q206 (MC)	(MC)	RM1203	(MC)
20	R280 (MC)	(MC)	7.5K 1X	(MC)
21	J166 (MC)	(MC)	JUMP WIRE	(MC)
22	R130 22K 1X	22K 1X	22K 1X	23.7K 1X
23				





AUDIO AMP.



ViewSonic Corporation

DRAWING DATE	TOLERANCE		SCALE	UNIT
	DIM	ANGLE		
04-09-'96	+	-	/	MM
DRAWER	SHEET		DRAWING NAME	FILENAME
	1	OF 1	DEF	
MODEL NO: 1562ES-2				