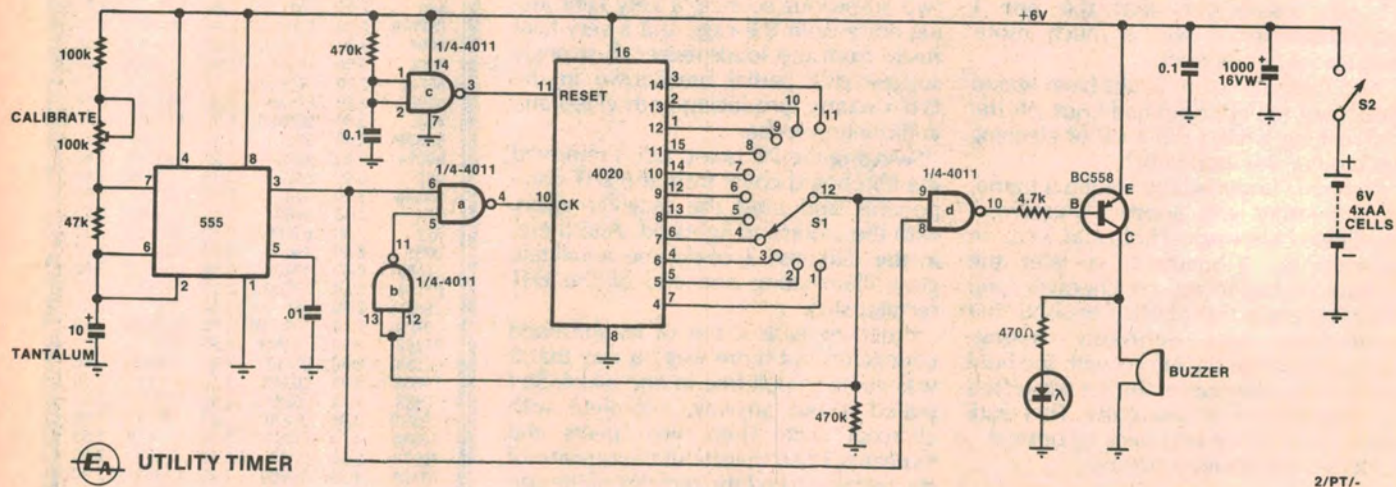


## Modification gives pulsed output for Utility Timer



This simple circuit modification provides a pulsating output for the timer as described in August, 1978. The continuous sound from the original design sounded too plain to me so I decided to try to improve this, together with adding a LED across the output. The only extra components are a resistor and a LED.

Pins 8 and 9 of the 4011(d) are separated and pin 9 is left connected as in the original circuit. Pin 8 is connected back to pin 3 of the 555. When the selected output from the 4020 is high, the 4011(d) is switched on and off by the pulse from the 555 and thus a pulsating sound is heard from the buzzer. As a

visual indicator, a LED and a 470 ohm resistor are added in parallel with the buzzer. This has no adverse effect on the circuit and only draws a very small amount of current.

(By Mr K. Hamilton, 2 Judges Court, Reservoir, Victoria 3073.)