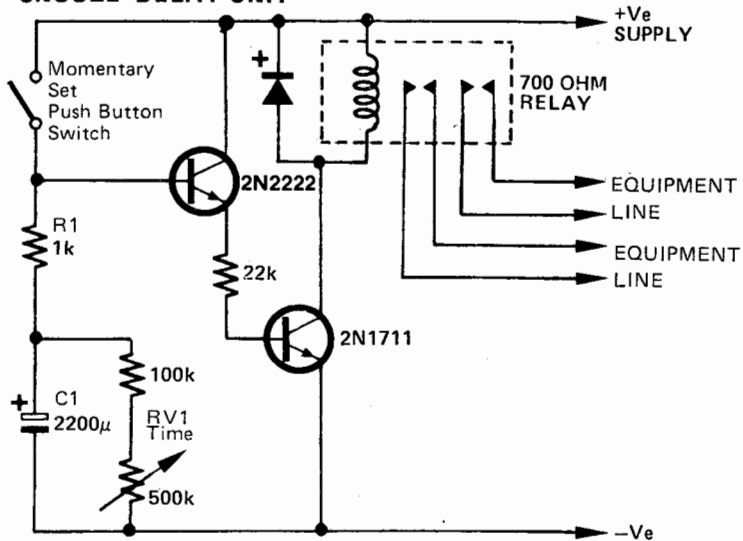


'SNOOZE' DELAY UNIT



This unit is intended to turn off a piece of equipment after a predetermined time. The supply voltage is taken from the equipment to be switched and the relay contacts are wired in parallel with the power switch on the equipment.

When the equipment is turned on by its own power switch and the 'set' switch is activated, the large electrolytic capacitor C1 in the delay unit is charged up via limiting resistor R1. C1 discharges slowly through R2 and RV1 but while the charge is retained above a sufficient level, this charge keeps the two transistors turned on and the relay activated. The equipment power switch may now be turned off, power being maintained through the relay. When the capacitor is discharged the relay is released, turning off the equipment. Delay times are proportional to C1 and R2 + RV1. Time delays in the order of an hour are possible.