

TAB BOOKS/No. 1070

\$8.95

Digital Interfacing With An Analog World

Carr

# Digital Interfacing With An Analog World

By Joseph J. Carr

How to design circuits to interface microprocessors, computers, and other digital devices with the analog world.

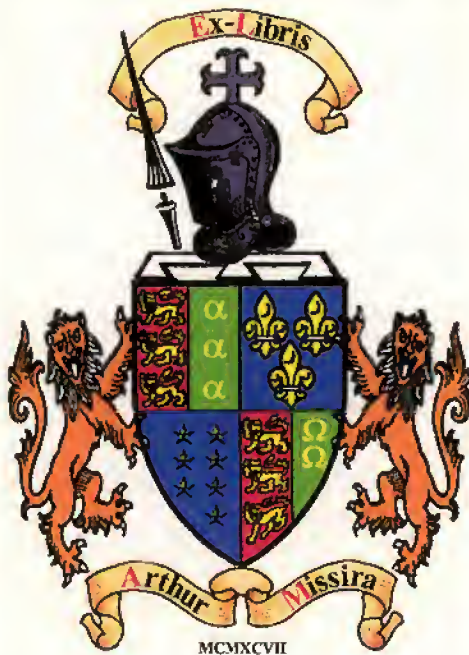


TAB  
BOOKS

1070

71

# Digital Interfacing With An Analog World



**Other TAB books by the author:**

- Book No. 660 — *FM Stereo-Quad Receiver Servicing Manual.*
- Book No. 787 — *Op Amp Circuit Design & Applications.*
- Book No. 901 — *CET License Handbook—2nd Edition.*
- Book No. 930 — *Servicing Medical & Bioelectronic Equipment.*
- Book No. 1012 — *How to Design and Build Electronic Instrumentation.*

**Digital**      **By Joseph J. Carr**  
**Interfacing With**  
**An Analog World**

**TAB BOOKS**

**BLUE RIDGE SUMMIT, PA. 17214**

FIRST EDITION

FIRST PRINTING —SEPTEMBER 1978

Copyright © 1978 by TAB BOOKS

Printed in the United States of America

Reproduction or publication of the content in any manner, without express permission of the publisher, is prohibited. No liability is assumed with respect to the use of the information herein.

Carr, Joseph J

Digital interfacing with an analog world.

Includes index.

1. Computer input-output equipment. 2. Transducers. 3. Analog-to-digital converters. 4. Digital-to-analog converters. I. Title.

TK7887.5.C37 621.3819'596 78-10419

ISBN 0-8306-9886-8

ISBN 0-8306-1070-7 pbk.

Cover art courtesy of *Instrumentation Technology* magazine.

# Contents

---

|   |            |
|---|------------|
| <b>Introduction</b> .....   | <b>7</b>   |
| <b>1 Transducers</b> .....  | <b>15</b>  |
| Unbonded Strain Gauges—Bonded Strain Gauges—Resistance<br>Circuits—The Wheatstone Bridge—Capacitance Transducers—<br>Inductive Transducers—Sensitivity—Transducer Glossary  |            |
| <b>2 Types of Transducers</b> .....   | <b>29</b>  |
| Transducer Excitation—Elementary Position Transducers—<br>Digital Code Position Sensors—Velocity Acceleration<br>Transducers—Temperature Transducers                        |            |
| <b>3 Operational Amplifiers</b> .....   | <b>61</b>  |
| Inverting & Noninverting Amplifiers—Kirchoff's Law Method—The<br>DC Differential Amplifier—Limitations of Real Operational<br>Amplifiers                                    |            |
| <b>4 Operational Amplifier Circuit Design</b> .....   | <b>73</b>  |
| Inverting Follower Circuits—Noninverting Followers—Differential<br>Amplifiers—Exercises—Answers to Problems   |            |
| <b>5 Signal-Processing Circuits</b> .....   | <b>99</b>  |
| Integrators—Differentiators—Comparators—Logarithmic<br>Amplifiers—Multipliers & Dividers—Active Filters—Passive<br>Filters—A Better Solution—Multiple Feedback Path Filters |            |
| <b>6 Some Useful Digital Circuits</b> .....   | <b>131</b> |
| One-Shot Multivibrators—74100 Latch—Flip-Flops  |            |
| <b>7 Analog Function Modules</b> .....  | <b>145</b> |
| Universal V/F-F/V Converters—A Multifunction Module—Other<br>Function Modules   |            |

|           |  |            |
|-----------|--|------------|
| <b>8</b>  | <b>Controlling The World</b> .....   | <b>159</b> |
|           | Controlling Small DC Motors  |            |
| <b>9</b>  | <b>Digital Codes</b> .....   | <b>177</b> |
|           | Straight Binary Code—Twos Complement—Division & Multiplication—Number System Conversion—Octal & Hexadecimal Numbers—Binary-Coded Decimal—Excess-3 Code—Gray Code—Alphanumeric Codes—Baudot Code—ASCII—EBCDIC—Code Conversion |            |
| <b>10</b> | <b>Basics of Data Conversion</b> .....   | <b>201</b> |
|           | Sampled Data—D/A Basics—A/D Basics—Software A/D Converters   |            |
| <b>11</b> | <b>D/A Converters: Some Real Products</b> .....  | <b>233</b> |
|           | The Ferranti ZN425E—The Precision Monolithics DAC-08—The 1048 D/A Converter—The DAC-05—The DAC-06—The DAC-20—The DAC-100—Some Practical D/A Circuits   |            |
| <b>12</b> | <b>A/D Converters: Some Real Products</b> .....  | <b>273</b> |
|           | Ferranti ZN425E-Based Design—The PMI AD-02 A/D Converter—MC14559/MC1408-Based Designs—DAC-100/AM2502 Designs—DAC-08 A/D Converter—Analog Devices 13-Bit AD7550—The Datel ADC-EK Series                                       |            |
| <b>13</b> | <b>Some Data Converter Applications</b> .....  | <b>305</b> |
|           | Two-Quadrant Multiplication—Four-Quadrant Multiplication—AC-Coupled Audio Attenuator—Ratiometric A/D Conversion—Transducer Nulling   |            |
| <b>14</b> | <b>Analog &amp; Digital Multiplexing</b> .....   | <b>315</b> |
|           | Datel MX Series—Datel MMD-8 Analog Multiplexer—Some Digital Multiplexer Devices  |            |
| <b>15</b> | <b>Data Acquisition Systems</b> .....  | <b>331</b> |
| <b>16</b> | <b>Readout &amp; Display Devices</b> .....   | <b>341</b> |
|           | Numerical Displays—Analog Outputs—Some Actual Products   |            |
| <b>17</b> | <b>Serial Data Transmission</b> .....  | <b>355</b> |
|           | The Telephone System—The UART—RS-232 Systems   |            |
| <b>18</b> | <b>Tape Recorder &amp; Data Loggers</b> .....  | <b>373</b> |
|           | Digital Data on Audio Recorders—Data Loggers   |            |
| <b>19</b> | <b>Telephone Dialer Circuits</b> .....   |            |
|           | Dial Pulse System—The MC14408/MC14409 Devices  |            |
|           | <b>Index</b> .....   | <b>397</b> |

## Introduction

---

The microprocessor-based small computer is no longer a new fad for the dilettante. Both professional and hobbyist are past the "Oh Gosh! It really is..." stage, and many want to learn how to put the machine to good use. Applications is the watchword today. This book is offered to fill an apparent gap in the literature. Many fine books have been written on programming, and most fields, especially business programming, seem too well covered.. But to the user who wants to use the machine to measure or control, little is available. Those I/O ports are essentially useless unless they are connected to a prefabricated peripheral. We will tell you what else you can do with them.

To the professional engineer, both hardware and software types, learning to apply the microprocessor on the chip or controller level has become an economic necessity; more and more employment advertisements list "microprocessor design experience" among entry level requirements. A friend of mine is a nuclear engineer, and only deals with electronics as one of several tools, then only on the black box level. But his first civilian employer, who had been a Navy "nuke," advised him to become familiar with the design of instrumentation and control systems based on the microprocessor before reporting for work. A lot of night sessions with a KIM-1 proved profitable, I am sure.



The scientist also finds work for the microcomputer. The machine will handle the analytical chores almost as well as any other computer because it will number crunch with the best of them, only usually slower. But the microcomputer can also be used to make a low-cost data logger or control system for an experiment. Bare-bones microcomputers are available that will do the job for less than \$100. Systems with lots of whistles and bells can be obtained for less than \$1000—and even look like computers to the layman. Even retail hobby vendors such as Radio Shack are into this market. Radio Shack offers their TRS-80 line, which is rated a “best buy” in its class by some experts.

The computer hobbyist has become far more sophisticated. In the past, the hobbyist would assemble and debug a kit, then amuse friends and a dubious spouse with dozens of video games on the computer, including not less than a dozen versions of space war. But after shooting down the Klingon warships with your photon torpedoes for the six-hundredth time, many users want to explore some real, honest, practical uses for their toy.

This present book is designed to fill an apparent gap in the literature of the hobbyist (and professional for that matter). There are numerous books on computers, how they work, microcomputers/microprocessors, etc. There are also numerous books on BASIC programming, and even a dozen or so compendiums of BASIC programs useful to certain segments of the market. The business and scientific number-cruncher type of user may, in fact, be too well covered by existing texts: there may be too many to select from intelligently.

But for the user who views the microcomputer as a bit of hardware to be applied and who views software as either a simple set of instructions to make the machine go, or more importantly a valid substitute for hardware, little has been written in book form. This book presents information, almost in handbook style, for those users of microcomputers who want to design a device or system with a microcomputer at its heart.

Applications is too broad a word on which to base a single book because the range of possible applications ideas is possibly much

larger than the total number of readers. Your own imagination and design acumen are the limiting factors. If you supply the imagination, then we will do our part by helping you gain a little bit of the acumen part of the equation. You will learn certain aspects of computer interfacing, plus information about technology that will help you in solving a wide range of practical problems. The rest of this introduction is given to a discussion of the types of things that will be covered in the chapters to follow.

In Chapter 1 we will discuss transducers, or more properly transduction. Most of the discussion is on the strain gauge, but many of the concepts are applicable to almost any form of transducer.

A transducer is a device that will convert energy from a stimulus parameter (i.e., pressure, force, position, temperature, etc.) to an electrical voltage or current that is proportional to the value of the stimulus. In Chapter 2 various types of transducers are discussed. Among the types selected for coverage are position transducers (both voltage-output and digitally encoded styles), velocity transducers, acceleration transducers, fluid pressure transducers (i.e., liquids and gases), and several different types of temperature transducers. Note well that the nature of the discussion will lead you to other uses than those intended by the manufacturer. Both position (i.e., displacement) and pressure transducers, for example, can be configured to measure force.

The ubiquitous operational amplifier is covered in Chapters 3 and 4. Although the book is on interfacing with digital computers, it must be realized that many applications require a certain amount of analog signal processing before the digital computer can do its work. After all, it's an analog world for the most part. Most of the signals produced by the transducers used to sense this world produce analog voltages and currents. Furthermore, these analog signals will rarely be in a condition for application to the computer or A/D converter directly out of the transducer; at least some amplification will be needed, and in some cases some more elaborate signal processing will be required. While many of the signal-processing jobs can be performed in software, in fact some are better performed in software routines, it is often only those with the luxury of a

large-memory, fast computer who can take advantage of signal-processing algorithms. For others, especially those with a slow-speed microcomputer or limited memory (some controllers have only 1K), the operational amplifier (analog signal processor) is the answer.

In some cases, a particular use may wish to use one of the commercial signal processors available instead of building an operational amplifier circuit. But that approach costs money. Anybody can solve problems by throwing money at them, but this book is intended primarily for those who cannot afford that approach. Note well that most of the operational amplifier circuits presented here are well enough behaved that even those people with a limited or nonexistent electronics background can make them work with a little effort. At this point, let me recommend three additional TAB books that are a must for people desiring to learn how to design and build electronic analog circuits:

1. *Op Amp Circuit Design & Applications*, by Joseph J. Carr (TAB Cat. No. 787).
2. *Master Op-Amp Applications Handbook*, by Harry W. Fox (TAB Cat. No. 856).
3. *How To Design & Build Electronic Instrumentation*, by Joseph J. Carr (TAB Cat. No. 1012).

Two chapters of this book are devoted to analog function modules and certain digital circuits that have proven to be of especial usefulness. Note that neither of these chapters is an exhaustive study, but serve as guideposts for further study. Although the circuits in these chapters have been found useful by myself, it is recommended that you consult the manufacturers' literature and catalogues for further ideas.

Chapters are also provided on subjects such as data transmission, including telephone interfacing and readout/display devices. Note that it is no longer either unusual or prohibitive to have a data link to a remote computer.

One chapter is devoted to controlling external devices (not ordinary computer peripherals) with your computer. We discuss

turning AC loads on and off (safely), and controlling small DC motors in both open-ended and negative-feedback servo control applications.

By far, the largest signal portion of the book is devoted to digital data acquisition. After all, a digital computer can digest only that data presented in digital form. Digital computers simply do not know how to handle analog data, so conversion is a must.

The data conversion section leads off with a chapter on different types of digital codes used in computers. Although most microcomputers are formatted in straight binary, they can do code conversions in software. In fact, many are already equipped to do this type of job if they have an ASCII keyboard connected to one input port. This type of program will allow designers to use devices that produce other codes, or allow the ability to select a code that is most suitable for the application at hand. It may be, for example, that you want to use a Gray code position transducer, or take data from the BCD (i.e., display) lines of an instrument or device that uses seven-segment displays for readout.

In Chapter 10 we will discuss the basic principles of data conversion circuits. The chapter covers the elementary digital-to-analog (D/A) converter and several methods for performing analog-to-digital (A/D) conversions, including some techniques that use a D/A converter in a negative-feedback loop.

Chapters 11 and 12 complement Chapter 10 by providing information about real products available from leading suppliers. These chapters remove the discussion from the simply academic to the real world, that is, from the blackboard to the workbench.

Note that these chapters are not comprehensive, there are too many A/D and D/A converter products on the market for that to be the case. The criteria used for selecting the products and manufacturers recommended were availability and ease of application. There are many other products available, but these were not covered for any of five reasons: cost, difficulty of application, lack of space, ignorance of them, or lack of availability in low quantities.

If you do not see some particular favorite component in Chapters 11 and 12, please allow me to apologize in advance for my

humble ignorance, and plead that I did the best I could for the greatest number. Various reasons kept popping up to keep some popular devices from being recommended. Some, for example, were rejected because they were not easily adapted for micro-computer service; they were originally developed for some other application. Some were too difficult to use, while others required too much external circuitry or parts that were either hard to obtain or costly. (Why is a \$5 A/D converter desirable if it requires a \$30 reference voltage chip?) Some very useful and practical devices were rejected because of difficulty encountered in actually obtaining these devices in low quantities. Some companies would happily sell 100, but turned their corporate noses up at an order for 1 or 2. Other companies had no local representatives or distributors (who usually will sell one or two on a cash-only basis), or had too high a minimum factory order price. One attractive A/D product was rejected, for example, because it was not available through distributors and the factory wanted a \$250 minimum order (sigh). Precision Monolithics, Inc. (PMI) and Datal products are given seemingly excessive coverage, but I was able to buy the products in the onesy-twosy manner of hobbyists and low-volume professional users.

Data converter applications, as well as some highly specialized A/D converters, are covered in Chapter 13. This chapter is intended to make you, the reader, aware of certain types of tricks that can be played using data converters, quite apart from their more easily recognized role of converting data. The multiplying D/A converter is especially useful in this manner and has many applications.

A short chapter on analog and digital multiplexing is included as part of the section on data converters and signal acquisition because these devices allow a single data converter to serve several channels. In many applications the converter would idle too much of the time, so is available to perform other conversions. Although many of the circuits in Chapters 10 through 12 are low enough in cost to warrant the use of a separate converter for each channel, the use of a multiplexer will further reduce costs in many cases.

Prefabricated data acquisition systems are presented for those readers who (1) do not care to design and build their own, but instead

prefer a "plug 'n' chug" system, and (2) those who wisely realize that the design and construction of a fast, multichannel, data acquisition system is a nontrivial matter. Systems by various manufacturers are discussed in both universal and peculiar-to-one computer (system) configurations.

The information given in this book is not intended to be followed step by step unless by some coincidence it ideally suits your needs. This book is intended to allow you to examine interfacing problems with a more practiced and knowledgeable eye. In fact, I would consider it the greatest form of flattery if a reader proves clever enough to modify the techniques presented here to more exactly fit specific situations. To paraphrase (i.e., steal from) a well-known ham radio publication: "Just like in Carr's book, except...."

Joseph J. Carr, B.Sc.



# Chapter 1

## Transducers

---

A transducer is a device or circuit that converts physical parameters such as position, force, pressure, temperature, velocity, acceleration, and so forth to an electrical signal for purposes of measurement or control. The actual form taken by any given transducer depends a great deal on the intended function and the manufacturer's opinion as to what style is beautiful. Numerous different transducers can exist for any specific purpose or application, so the proper choice is sometimes obscured and selection is difficult. In other cases there will be only one type or form that is applicable so selection is easily done. In this chapter we will consider some of the basic methods of transducer action—that is, transduction—leaving later chapters for the development of specific types.

Transducers must cause some electrical parameter to vary with the applied physical stimulus. To accomplish transduction we might make use of changes in electrical resistance, capacitance, inductance, or some combination of these to produce an electrical current, a voltage (AC or DC), a frequency, or a digital word that will be unique at each permissible value of the applied stimulus.

The most common forms of transducers use changes in ohmic resistance to indicate changes in the applied parameter. Various materials exist that will transduce through thermoresistance, photo-



resistance, piezoresistance (deformation), or simply the position of a potentiometer wiper.

Thermoresistance devices are also known as *thermistors* (i.e., thermal resistors). A thermistor will change its electrical resistance with changes in the applied temperature. All electrical conductors exhibit thermoresistance to some degree, but proper thermistors are designed to optimize and linearize this property.

The electrical resistance of almost any material that is an electrical conductor can be determined from:

$$R = \rho \left( \frac{L}{A} \right) \quad (1.1)$$

where  $R$  is the electrical resistance in ohms,  $L$  is the length,  $A$  is the cross-sectional area of the conductor, and  $\rho$  is the resistivity property of the particular material.

Resistivity, being a natural property of the material, is fixed in most (but not all) conductors, so we depend upon quantity  $L/A$  for transduction. This quotient can be changed only by deforming the material, and in most cases this is most easily accomplished by changing length  $L$  in either tension or compression.

When a material is in tension, the length will increase slightly, so the cross-sectional area must decrease because the overall volume is constant ( $L \times A$ ). This action forces the numerator of Eq. 1.1 down and the denominator up, both factors tending to increase the value of quotient  $L/A$ , hence the resistance.

Similarly, when the material is in compression, the length decreases and the cross-sectional area increases making the electrical resistance lower.

Transducers of this type are called strain gauges. The key expression for evaluating strain gauge transducers is the gauge factor ( $K$ ), which is defined as:

$$K = \frac{\Delta R/R}{\Delta L/L} \quad (1.2A)$$

$$K = \frac{\Delta R/R}{\epsilon} \quad (1.2B)$$

where  $R$  is the resistance in ohms,  $L$  is the length,  $K$  is the gauge factor,  $\epsilon$  is the quotient  $\Delta L/L$ , and  $\Delta$  is a symbol meaning a small change in....

Equation 1.2 in both versions will hold true only when  $\Delta L$  is small compared with the length  $L$  and assumes that the change when in tension does not go past the limit of elasticity.

### **UNBONDED STRAIN GAUGES**

The unbonded strain gauge uses a thin wire (the emphasis is on the word thin) stretched taut between two supports. The applied stimulus will either distend or compress the wire, changing its length. The unbonded strain gauge tends to be relatively fragile but is capable of superior precision under the correct set of circumstances.

### **BONDED STRAIN GAUGES**

The bonded strain gauge consists of a thin wire, piece of thin metal foil, or a thin semiconductor slab cemented to a thin diaphragm. The applied stimulus will distend the diaphragm, thereby changing the length of the elements. The bonded strain gauge tends to be more stable and durable than unbonded types.

### **RESISTANCE CIRCUITS**

In this discussion we will use the nomenclature of the piezo-resistive strain gauges to explain circuit action, but most of the circuits are also valid with the other forms of resistance transducer.

Figure 1-1 shows the basic potentiometric circuit. Resistor  $R_1$  is a fixed resistor, while  $R_2$  represents the resistance of the strain gauge element. The current flowing in this circuit is given by:

$$I_1 = \frac{E_1}{R_1 + R_2} \quad (1.3)$$

and ordinarily should not be greater than the current specified by the manufacturer as being the minimum that will cause self-heating of the strain gauge.

The output voltage,  $E_2$ , is given by the ordinary voltage divider equation, namely:

$$E_2 = E_1 \times \left( \frac{R_2}{R_1 + R_2} \right) \quad (1.4)$$

Differentiating Eq. 1.4 with respect to  $R_2$  gives us an appreciation of how the output voltage changes with stimulus-caused changes in resistance  $R_2$ . By the quotient rule for differentiation from basic calculus:

$$dE_2 = E_1 \times \left[ \frac{(R_1 + R_2) dR_2 - R_2 dR_1}{(R_1 + R_2)^2} \right] \quad (1.5)$$

$$dE_2 = E_1 \times \left[ \frac{dR_2 (R_1 + R_2 - R_2)}{(R_1 + R_2)^2} \right] \quad (1.6)$$

$$dE_2 = \left[ \frac{E_1 R_1 dR_2}{(R_1 + R_2)^2} \right] \quad (1.7)$$

By Eq. 1.2

$$K = (\Delta R/R)/(\Delta L/L) \quad (1.8)$$

which can be expressed as

$$K = dR_2/dL \quad (1.9)$$

$$KdL = dR_2 \quad (1.10)$$

Substituting Eq. 1.10 into Eq. 1.7, we get

$$dE_2 = \frac{E_1 R_1 K dL}{(R_1 + R_2)^2} \quad (1.11)$$

### Example 1-1

Assume the following:

$$R_1 = 500 \text{ ohms}$$

$$R_2 = 200 \text{ ohms (no strain conditions)}$$

$$dL = 0.001 \text{ in./in.}$$

$$E_1 = 10 \text{ volts DC}$$

$$K = 4.0$$

Find the change in output voltage. From Eq. 1.11:

*Solution:*

$$dE_2 = \frac{(10)(500)(4)(0.001)}{(500 + 200)^2} \quad (1.12)$$

$$dE_2 = 4.08 \times 10^{-5} \text{ volts} \quad (1.13)$$

$$dE_2 = 40.8 \text{ microvolts } (\mu\text{V}) \quad (1.14)$$

### THE WHEATSTONE BRIDGE

A Wheatstone bridge circuit is shown in Fig. 1-2. Output voltage  $E_2$  is found from:

$$E_2 = E_1 \times (E_A - E_B) \quad (1.15)$$

$$E_2 = \frac{R_2}{R_1 + R_2} - \frac{R_4}{R_3 + R_4} \times E_1 \quad (1.16)$$

The bridge is said to be balanced when the output voltage is zero. For  $E_2$  to be zero, either  $E_1$  or the expression inside of the parentheses must be zero.  $E_1$ , however, is fixed and always nonzero in practical circuits, so we can conclude that when the Wheatstone bridge is balanced:

$$\frac{R_2}{R_1 + R_2} - \frac{R_4}{R_3 + R_4} = 0 \quad (1.17)$$

So,

$$\frac{R_2}{R_1 + R_2} = \frac{R_4}{R_3 + R_4} \quad (1.18)$$

In the null condition;

$$I_1 R_2 = I_2 R_4 \quad (1.19A)$$

and,

$$I_1 R_1 = I_2 R_3 \quad (1.19B)$$

Dividing Eq. 1.19A into Eq. 1.19B, gives us the sole necessary condition for balance in a Wheatstone bridge.

$$\frac{R_2}{R_1} = \frac{R_4}{R_3} \quad (1.21)$$

Equations 1.16 and 1.21 are the expressions usually given to describe the behavior of the Wheatstone bridge.

### Example 1-2

Let us assume a resistive strain gauge in which  $R_1 = R_3 = 500$  ohms, and both  $R_1$  and  $R_3$  are fixed resistors.  $R_2$  and  $R_4$  are 200-ohm strain gauge elements similar to those used in Example 1-1. Assume the following parameters:

$$dL = 0.002 \text{ in./in.}$$

$$E_1 = 10 \text{ volts DC}$$

$$K = 4.0$$

Find the change in output voltage  $E_2$ .

### Solution:

We will assume that the manufacturer arranged strain gauges  $R_2$  and  $R_4$  such that one is in compression under stimulus conditions and the other is in tension. This gives their respective  $dE$  terms opposite signs.

$$dE_A = \frac{E_1 R_1 K dL}{(700)^2} \quad (1.22)$$

and,

$$dE_B = - \frac{E_1 R_3 K dL}{(700)^2} \quad (1.23)$$

$$dE_2 = dE_A - dE_B \quad (1.24)$$

$$dE_2 = \left[ \frac{E_1 K dL}{(700)^2} \right] [R_1 - (-R_3)] \quad (1.25)$$

$$dE_2 = \left[ \frac{E_1 K dL}{(700)^2} \right] (R_1 + R_3) \quad (1.26)$$

$$dE_2 = \left[ \frac{(10)(4)(0.002)}{(700)^2} \right] (500 + 500) \quad (1.27)$$

$$dE_2 = 163 \text{ microvolts} \quad (1.28)$$

For a given stimulus, then, we get a lot higher output voltage. This is one principal advantage of the Wheatstone bridge over the so-called half bridge of Fig. 1-1.

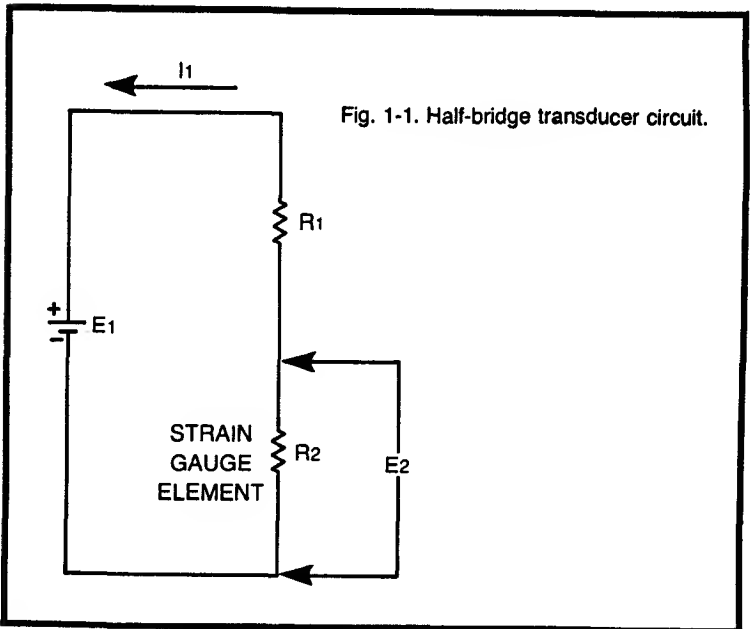


Fig. 1-1. Half-bridge transducer circuit.

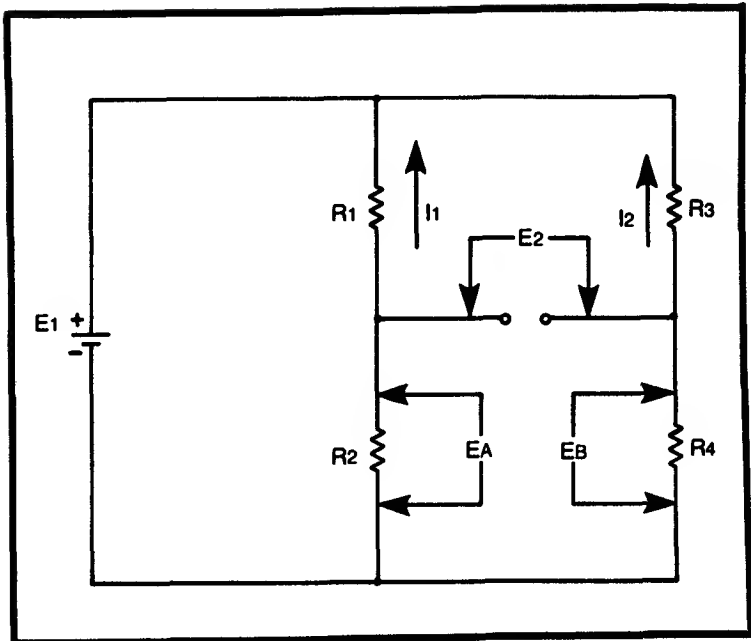


Fig. 1-2. Classic Wheatstone bridge.

Another advantage of the Wheatstone bridge is that the output voltage is zero when the stimulus is also zero, providing of course that the bridge is balanced under that condition. The half bridge, on the other hand, always produces an output voltage, so only changes in the applied stimulus can be noted with ease. Wheatstone bridge circuit transducers come in varieties with one, two, or four active strain gauges as elements.

### CAPACITANCE TRANSDUCERS

A parallel plate capacitor is made by opposing two conductive metal surfaces parallel to each other. If these plates can be made to move relative to each other under the influence of an applied stimulus, then either the capacitance or the capacitive reactance can be used as a transduction property. A bridge such as Fig. 1-2 can be constructed with elements  $R_2$  and  $R_4$  replaced by variable capacitances. If  $E_1$  is an AC source, then we can use  $X_{C1}$  and  $X_{C2}$  to perform out transduction.

Alternatively, we can use a capacitive transducer to control the frequency of an oscillator. Transduction is by discrimination of the frequency in either a phase detector or a counter circuit.

Various forms of capacitive transducer exist, and their form will depend upon the nature of the job that is to be performed. Some will have the distance between the plates vary, as in a capacitor microphone, while in others the plates rotate relative to each other, so by their geometry either more or less area on each plate is shaded by the other plate.

## **INDUCTIVE TRANSDUCERS**

We may also use inductance to produce transduction in the same manner as capacitance. Inductors can be used as reactance elements in a Wheatstone bridge, or to vary the frequency of an LC oscillator. Some transducers use the bridge method, but few use the oscillator circuit technique. There are also other inductive transducer techniques that are not similar to resistive or capacitive methods.

Most inductors used in transducers use variable cores to change the inductance, so are more properly called variable permeability devices. The applied stimulus will change the position of the coil's magnetic core material, thereby changing the inductance of the coil.

One of the most successful inductive transducers is the linear differential voltage transformer (LDVT), shown in Fig. 1-3. This transformer consists of a primary connected to an AC excitation source and two secondary windings. The secondary windings are cross connected so that the secondary currents generated by induction from the primary cancel each other.

When the core is inside both coils equally, then the two secondary currents cancel each other exactly; the net output voltage across the load is zero. If the core is displaced a little bit, one coil will have greater inductance than the other. This change will unbalance the relationship between secondary currents in the respective windings, making the cancellation less than total. This makes the output voltage greater than zero. Furthermore, the phase of the AC output



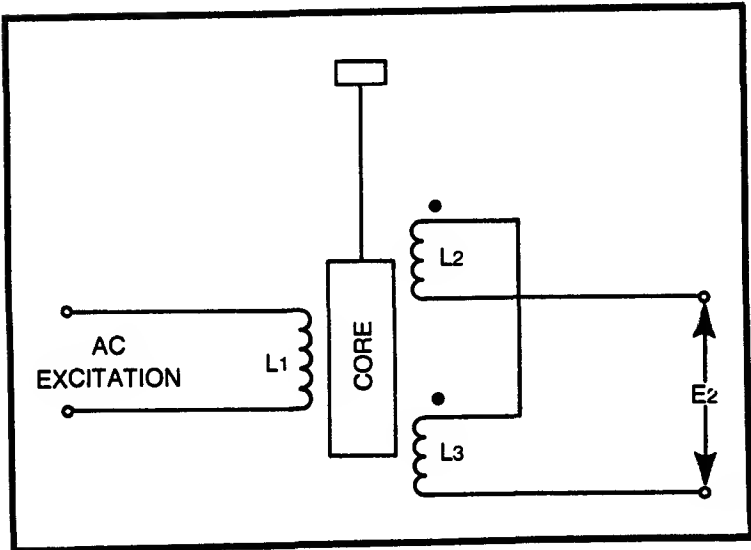


Fig. 1-3. Linear differential voltage transformer (LDVT).

voltage is determined by the direction of the core displacement. This situation means that we have both amplitude and directional displacement information.

### SENSITIVITY

A transducer of the type which we have been discussing thus far will be excited by either an AC or DC voltage, and will produce an output voltage proportional to the value of the applied stimulus. The transfer function of this system is of the form

$$\frac{E_{OUT}}{E_{IN}} = \Psi X \quad (1.29)$$

where  $X$  is the value of the applied stimulus and  $\Psi$  is the sensitivity factor of the particular transducer.

Sensitivity factor  $\Psi$  is a constant property and is specific to the transducer. It is usually given in units of output volts per volt of excitation per unit of applied stimulus. In other words:

$$\Psi = \text{volts/volt/unit stimulus} \quad (1.30)$$

In most transducers the output voltage will be given in millivolts, or even microvolts. A well-known fluid pressure transducer

used to measure arterial blood pressure in medical electronics (see *Servicing Medical and Bioelectronic Equipment*, by Joseph J. Carr, TAB Cat. No. 930), for example, is rated by its manufacturer to have a sensitivity of  $10 \mu\text{V}/\text{V}/\text{torr}$ .

The sensitivity figure and excitation voltage must be known before you can use a transducer to encode data from the real world into a form usable by a computer or other digital electronic instrument. The sensitivity and excitation potential are used to design an amplifier for interfacing the transducer to the A/D converter at the computer.

Consider a system such as Fig. 1-4 where a physical stimulus is applied to a transducer. The transducer produces an output voltage ( $E_2$ ). This potential is then amplified to become  $E_3$ , which is compatible with the input requirements of the A/D converter.

### Example 1-3

Let us assume that it is necessary to interface a fluid pressure transducer to an eight-bit microprocessor. The A/D

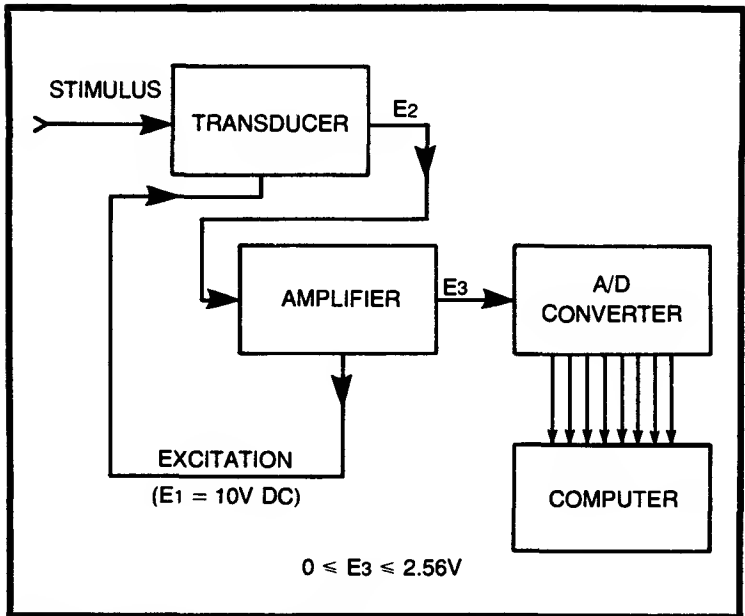


Fig. 1-4. Digital instrumentation system.

converter has an analog input range of 0 to 2.56 volts ( $2^8 = 256$ ), and the instrument is to measure up to 100 torr of pressure. Transducer excitation is 10 volts DC and the sensitivity is known to be  $10 \mu\text{V}/\text{V}/\text{torr}$ . How much amplifier gain is required?

*Solution:*

$$E_2 = \Psi X \quad (1.31)$$

$$E_2 = \frac{(10 \mu\text{V})(10\text{V})(100 \text{ torr})}{(\text{V}) (\text{torr})} \quad (1.32)$$

$$E_2 = 10,000 \mu\text{V} \quad (1.33)$$

$$E_2 = 0.01 \text{ volts} \quad (1.34)$$

The gain required of the amplifier following the transducer is found by taking the quotient of the output voltage desired over the input voltage produced at either full range or some specified intermediate level. In this case:

$$A_v = \frac{2.56\text{V}}{0.01\text{V}} \quad (1.35)$$

$$A_v = 256 \quad (1.36)$$

The sensitivity property is also known by the term *transduction ratio*.

## TRANSDUCER GLOSSARY

**Linearity** is a measure of how well a transducer meets the ideal calibration curve. Ideally, when you plot the transducer output voltage against the applied stimulus, the graph will be a straight line. This line is usually constructed by connecting, with a straight edge, calibration points at both zero and full scale stimulus values, although

in some cases a best-fit curve through these end points and several intermediate points is used.

Real transducers do not have such ideal properties in that their actual calibration curve might lie outside of the ideal curve by a considerable margin. Linearity is the deviation from ideal, expressed (usually) as a percentage of full scale.

**Hysteresis.** Some transducers will produce a different reading if a value is approached from below than if the same value were approached from above. The difference is called the hysteresis of the transducer.

**Precision** of the transducer measures the repeatability of a measurement. If the same identical stimulus is applied time after time, the output voltage should be the same with each trial. The precision is the measure of how well a given transducer meets this ideal condition.

**Frequency response** of a transducer refers to a dynamic property that tells us how fast the transducer will track changes in the applied stimulus.

Any waveform can be defined mathematically as a Fourier series, which is a sum of assorted sine and cosine functions. The amplitude of the specific sine and cosine terms will determine the exact shape of the composite waveform.

The frequency response of a transducer used to measure an odd (nonsinusoidal) waveform stimulus must be high enough to pass the highest significant harmonic in the Fourier series of that particular waveform. Otherwise, the transducer will distort the shape, which could lead to erroneous measurement results. Similarly, if the transducer frequency response is too great, it may pass noise artifacts, which can lead to equally horrendous errors.



## Chapter 2

# Types of Transducers

---

You could probably guess from the material in Chapter 2 that the word transducer covers a wide range of devices, all of which have different properties and characteristics. The job of a transducer is to look at some aspect of the parameter being measured, then deliver an output current or voltage proportional to its value. This output signal can then be processed to become a data signal in an instrumentation or control system.

### **TRANSDUCER EXCITATION**

Most transducers are passive devices and, therefore, cannot create any electrical energy on their own. These transducers will require some type of excitation source in the form of an AC or DC voltage, depending upon the particular transducer. Regardless of the other excitation requirements, however, we find it necessary to have as much stability as possible so as to prevent errors and artifacts from creeping into the data record. We might, for example, have a nominal excitation potential on the order of +7.5 volts DC. It is often the case that there is sufficient latitude in the instrument to tolerate errors in the actual excitation potential, so we really do not care what the exact potential is that exists, provided that it is somewhere between 7.0 volts and 8.0 volts. We care very much, however, if the excitation voltage changes significantly during the

time when the transducer is being used. Even very small changes can be deemed significant if there is a lot of gain in the amplifiers following the transducer, so it is imperative that the stability of the excitation source be assured.

Part of the protocol for using transducers includes adequate warmup time. All transducers, amplifiers, and excitation sources can be expected to drift somewhat for a few minutes following a cold start. The wise user will turn on the electronics and transducer excitation (usually the same act accomplishes both) not less than 15 minutes prior to use. Some systems that are hypercritical in this respect must be allowed to warm up for several hours prior to use.

If the excitation source for any given transducer must produce a constant DC voltage, then we may usually get away with using some sort of ordinary voltage regulator, even the simple zener diode. The exact form of circuit required will depend a great deal on whether we need bipolar or single power supplies, and the exact level of excitation voltage that is required. In the discussion of excitation voltage to follow we will assume that the transducer is in the form of a resistive Wheatstone bridge.

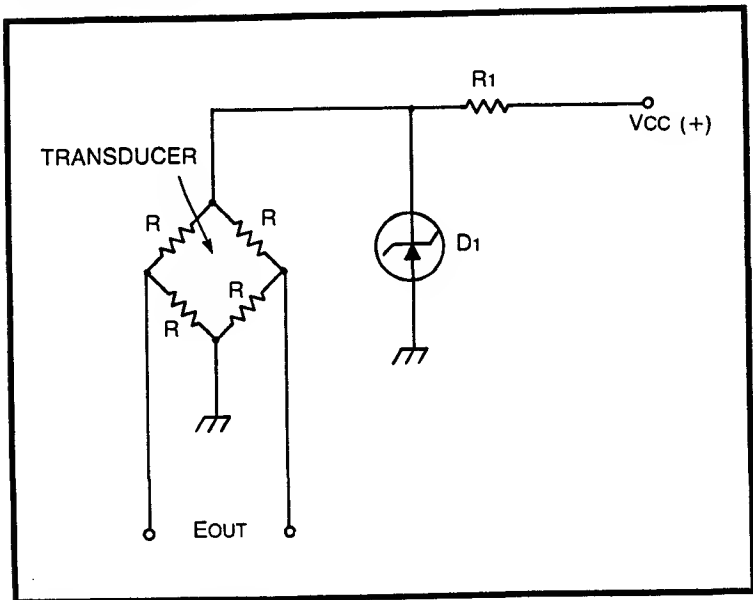


Fig. 2-1. Transducer excitation using a zener diode regulator.

Figure 2-1 shows the most elementary form of excitation voltage source. A zener diode ( $D_1$ ) is used to keep the transducer voltage nearly constant, while  $R_1$  is used to limit the current drawn by the zener diode to a safe level.

This technique suffers from not less than two major problems. The first shortcoming is that zener diodes do not have a stable zener potential in all cases. The voltage can vary with temperature, especially if the looking-back resistance of the transducer (essentially  $R$  in a Wheatstone bridge where all elements are equal) is low. A partial solution is to use a reference-grade zener diode.

The second problem is that the supply is a single positive voltage, so we are limited to situations where the transducer output is positive with respect to its rest position where the bridge is balanced. This may not be a problem in all cases, such as rectilinear position transducers that operate in only one quadrant or Wheatstone bridges where a true differential amplifier follows the transducer, but in other cases it could seriously hamper our efforts.

An example of the second problem might be a pressure transducer that will read positive for gauge pressures, is balanced at atmospheric pressures, and should produce a negative output for vacuums. If we use a positive-going or negative-going excitation source and a single-ended input amplifier in that situation, we will have to make sure that the electronics to follow understand how to interpret the results, or that the results are unimportant (hardly likely).

A superior technique is shown in Fig. 2-2. In this method of transducer excitation we place the zener diode between the  $V_{CC}$  (+) and  $V_{EE}$  (-) power supplies.

A slightly different approach is shown in Fig. 2-3. Here we see the use of a three-terminal integrated circuit voltage regulator, in this case a 7805, LM340-5, or LM309K that produces a 5-volt DC output. This series of IC regulators are offered by most of the major semiconductor manufacturers in three different packages and current ranges. One package, designated by the letter  $H$  in suffix to the type number, is the familiar TO-5 transistor case. Most of those regulators are rated at 100 milliamperes of output current. The



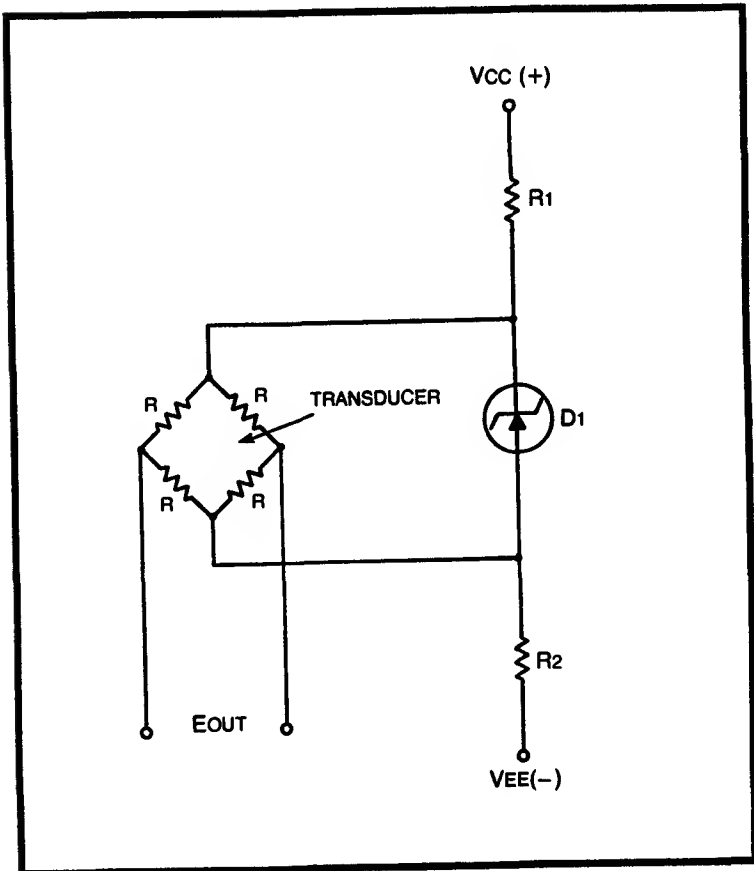


Fig. 2-2. Alternate zener diode regulator.

LM309H, for example, produces a nominal 5-volt DC output potential and will source a current up to 100 milliamperes. This current level can be used to drive transducers with a looking-back resistance of 50 ohms or greater.

The *T* package is the same as the TO-220 transistor package and is made of plastic. Most *T* suffix voltage regulators will deliver up to 750 milliamperes of current in free air and up to 1 ampere if properly heat sunk.

The *K* package is the same as the diamond shaped TO-3 power transistor package. Most *K* suffix regulators will deliver up to 1 ampere in free air and 1.5 amperes if heat sunk. There are some regulators in this package, though, that will handle a lot more

current. An LM323, for example, will source up to 3 amperes while Lambda Electronics markets its LAS-1905 which is capable of delivering up to 5 amperes.

### ELEMENTARY POSITION TRANSDUCERS

The simple potentiometer is the most common form of position transducer. Examples are shown in Fig. 2-4. The potentiometer shown in Fig. 2-4A is useful for indicating position along the  $X$ -axis (in other words, along a line) in the first quadrant of a Cartesian plane. When the potentiometer's wiper is at the origin, it is electrically grounded so the output potential is 0 volts. As the wiper moves along the positive  $X$ -axis the output voltage rises until it is at  $V_{CC}(+)$ , the highest permissible value in the  $X$ -domain.

If the position could be either minus or positive along the  $X$ -axis, then the circuit of Fig. 2-4B must be used. In this circuit one end of the potentiometer is connected to the  $V_{CC}(+)$  supply as before, but the other end is connected to the  $V_{EE}(-)$  instead of ground. When the potentiometer wiper is at the origin it is in the

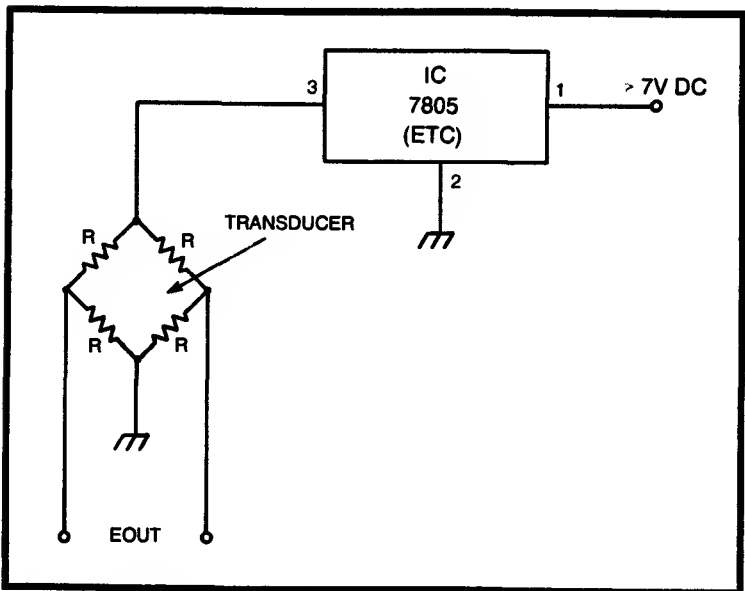


Fig. 2-3. Transducer excitation using a three-terminal IC voltage regulator.

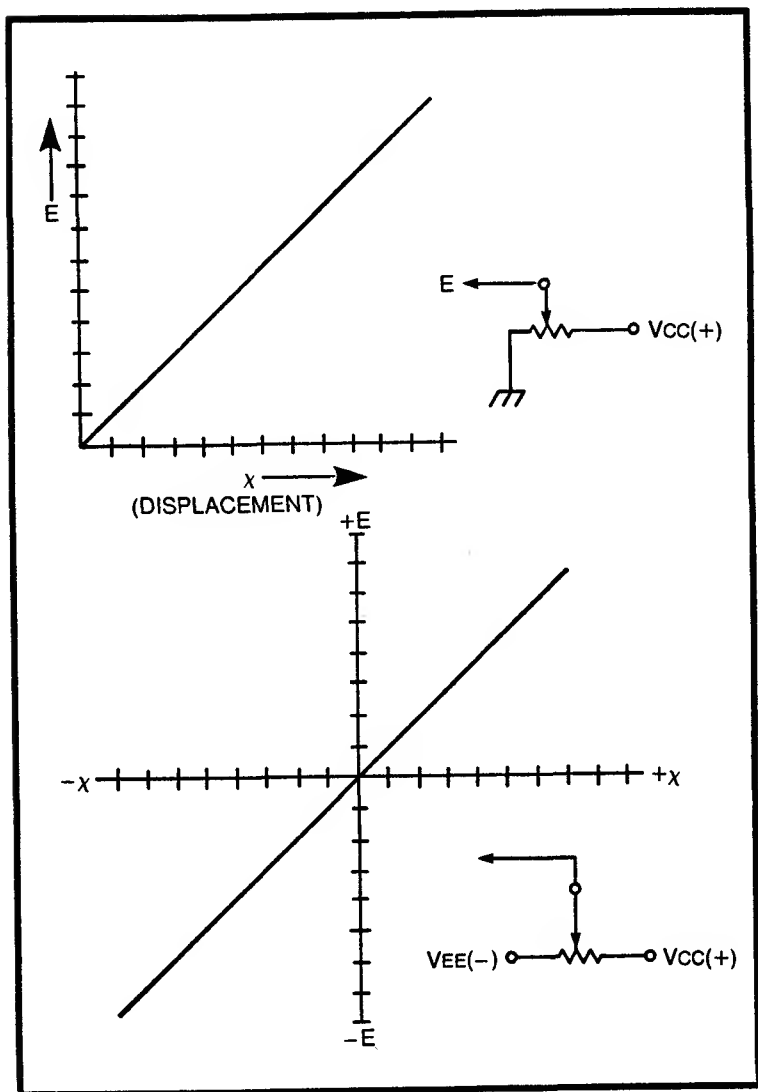


Fig. 2-4. Displacement transducers. (A) single-quadrant type. (B) Two-quadrant type.

center of its resistance range. The respective  $V_{CC}$  and  $V_{EE}$  contributions to the net output voltage will exactly cancel each other so the output voltage is zero. If the wiper displaces to the right along the positive  $X$ -axis, the  $V_{CC}$  will predominate, so the output voltage is

positive. Similarly, if the wiper were displaced to the left along the minus  $X$ -axis the  $V_{EE}$  would predominate producing a negative output voltage.

The form taken by such a potentiometer would depend on the type of motion that was being measured. If the motion was strictly rectilinear, that is to say in a straight line, then a slide type of potentiometer might be needed. If, on the other hand, the motion were angular or circular, then a rotary potentiometer might be the indicated choice. You could, for example, designate  $0^\circ$  of rotation as 0 volts output, and  $359^\circ$  of rotation as  $V_{CC}$ . Some potentiometers are available that will produce output voltages proportional to the sine, cosine, or sine and cosine of the angle of displacement.

The LDVT can also be used as a displacement transducer because the output voltage is zero when the core is equally inside of both secondary windings, yet will assume one polarity when the core is displaced in one direction and the opposite polarity when the displacement is in the opposite direction.

Regardless of the type of position transducer used there might be a requirement for some linkage or other mechanics to reduce the throw of the mechanism to the throw of the potentiometer. Alternatively, you might want to use a gear reduction system for the rotary potentiometer.

## **DIGITAL CODE POSITION SENSORS**

Optoelectronic circuits can be used to create a position sensor, and are particularly common in shaft encoders and other angular motion indicators. Figures 2-5 and 2-6 show an example of such a system.

Three different code wheels are shown in Fig. 2-5. These code wheels are mounted concentric to the axis of the shaft or through a gear train if that is appropriate for the particular application. Position information is given by the outer rim of each wheel, while a synchronization signal is given by the inner rim.

The information is coded onto the disc at Fig. 2-5A using holes drilled in the metal disc, while the disc in Fig. 2-5B uses light and dark shading, a technique amenable to low-cost production because

the disc could be made photographically. The wheel in Fig. 2-5C is the author's salute to the past, in that it is a cam wheel driving a pair of microswitches. This system, though, is anachronistic but may be encountered even in equipment that is not really all that old.

Both of the wheels shown in Figs. 2-5A and 2-5B operate by creating an electrical pulse when light passes through the opening. A suitable read head is shown in Fig. 2-6A. The coded portions of the wheel passes through a light path between a light-emitting diode (LED) sender and a phototransistor (PT) receiver, or alternatively a photoresistor receiver. When the light path is blinded no light reaches the phototransistor, so the output of the photo-transistor (see Fig. 2-6C) is low. When the path is not blinded, however, the base of the transistor is illuminated, so the output voltage is high. The alternating light and dark gives us a pulse train at the emitter of the two phototransistors (see Fig. 2-6B) that can be used to infer position. Let us consider a hypothetical case using a code wheel such as Fig. 2-5B and a decoder such as Fig. 2-6C.

The heart of the decoder is an  $N$ -bit binary counter, where  $N$  is the number of unshaded spots on the outer rim of the code wheel. If we want to be able to resolve angular increments of  $1^\circ$ , then we will need 360 unshaded spots on the outer rim of the wheel. Keep in mind that an eight-bit binary counter can only resolve 256 separate states, so we will need at least a nine-bit binary counter for this job. A nine-bit binary counter will resolve  $2^9$  or 512 different states, so is more than merely adequate for this particular problem.

The unblinded spot on the inner rim of the code wheel is used to indicate a specified reference position, usually defined to be  $0^\circ$ . One pulse will be created in  $PT_2$  for every 360 pulses from  $PT_1$ , so we have a means of recognizing the reference or  $0^\circ/360^\circ$  position.

Pulses will begin arriving from  $PT_1$  to the input of the binary counter just as soon as the wheel begins to turn, so a count will accumulate on the counter's output lines. When the wheel reaches the  $0^\circ$  position on its initial revolution there will be a pulse generated in  $PT_2$  that resets the binary counter to zero. From this point onwards each pulse indicates a change in angular position of  $1^\circ$ . If, for example, the wheel goes through a rotation of one-quarter turn

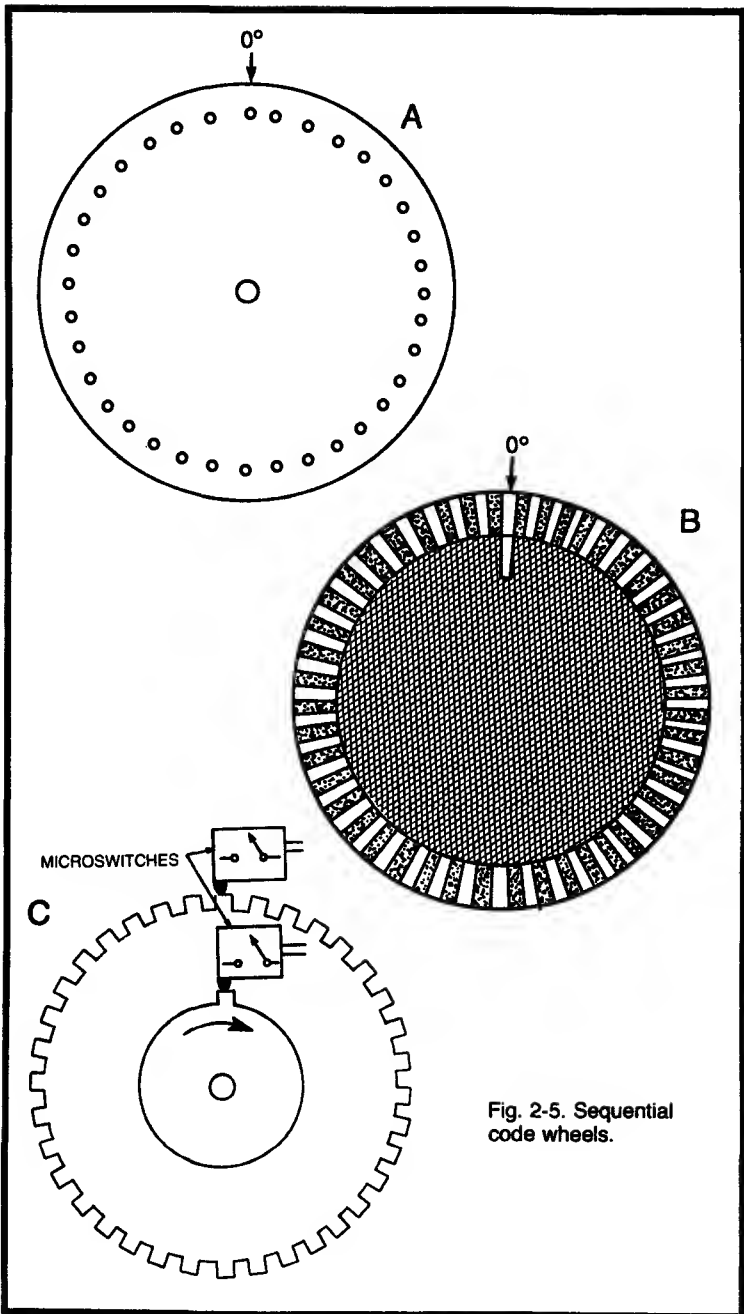


Fig. 2-5. Sequential code wheels.

(i.e.,  $90^\circ$ ), then 90 pulses would have been generated, so the binary word at the output of the counter would be 001011010 in base 2 or 90 in decimal (the binary counter outputs in base 2).

The code wheel can also be used as a tachometer to indicate angular velocity, particularly if the reference pulse on the inner wheel is ignored. If the output of  $PT_1$  were fed to a frequency counter we would find an output frequency of

$$F_{\text{hertz}} = \frac{360 \text{ (revolutions)}}{\text{second}} \quad (2.1)$$

Which, by a little algebra becomes

$$F_{\text{hertz}} = \frac{360 \text{ rev}}{\text{sec}} \times \frac{60 \text{ sec}}{\text{min.}} \quad (2.2)$$

should we want the data in that form.

A more sensible approach for a code wheel that is purely for tachometer use would be to use either 100 or 1000 unshaded spaces on the outer rim rather than 360. This would result in a readout in hertz proportional by a power of ten to the speed in revolutions per second. In that case:

$$F_{\text{hertz}} = \frac{100 \text{ rev}}{\text{sec}} \quad (2.3)$$

or,

$$F_{\text{hertz}} = \frac{1000 \text{ rev}}{\text{sec}} \quad (2.4)$$

Let us assume a case in which a code wheel has 1000 spaces, allowing us to apply Eq. 2.4. The wheel rotates at 40 revolutions per second. This yields an angular frequency of

$$F_{\text{hertz}} = \frac{(40 \text{ rev}) (1000)}{\text{seconds}} \quad (2.5)$$

$$F_{\text{hertz}} = 40,000 \text{ hertz} \quad (2.6)$$

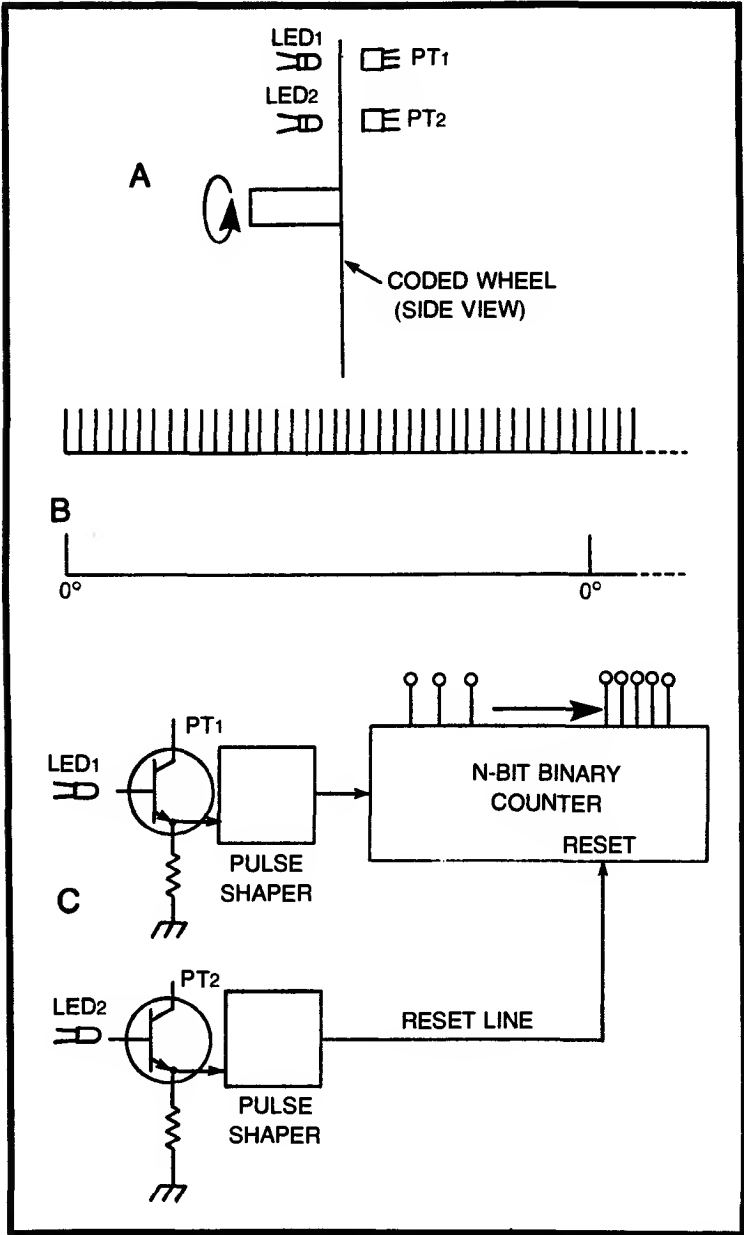


Fig. 2-6. Code wheel circuits. (A) Transducer configuration. (B) Waveforms. (C) Circuit block diagram.



If we wanted to display this on a frequency counter as 40.0 (kHz), we could read it as 40.0 RPS (revolutions per second) because it is numerically the same as our desired data.

But most motor shaft speeds are given in terms of revolutions per minute (RPM), so how do we deduce RPM from frequency? There are actually several methods for doing this job. We could use the computer as a frequency counter, or present the data from a hardware frequency counter to a computer input port, then multiply it in software by a factor of 60. This would take only a very short subroutine.

Another alternative would be to print more lines on the code wheel, such as to make the total 600 or 6000. The frequency counter in the above example would read:

$$F_{\text{hertz}} = \frac{(40 \text{ rev}) (6000)}{\text{second}} \quad (2.7)$$

$$F_{\text{hertz}} = 240,000 \quad (2.8)$$

But we know that 40 RPS is the same as 2400 RPM, so if we display the 240,000 Hz as 2400.00 we would have the tachometer in the form desired.

Still another alternative is to use the original 1000-space code wheel, then modify the frequency counter gate time. A frequency counter consists of a decimal counting assembly (DCA), a main gate and a gate timing circuit. Pulses can only reach the DCA by passing through the gate; the gate's on time is set by the timing circuit. Most frequency, or events-per-unit-of-time (EPUT), counters have gate-open times of 1 second, 0.01 second, or some other power of ten multiple or submultiple of the basic 1-second period. This will give us a readout in hertz or one of the commonly recognized larger divisions of frequency based on the hertz, that is, the kilohertz or megahertz.

But what would happen if the gate were only open for a period of 0.60 second (600 millisecond) instead of the usual 1 second? With 1000 openings on the code wheel there would be, at 40 RPS or 2400 RPM:

$$\frac{(40 \text{ rev}) (1000)}{\text{second}} = 40,000 \text{ hertz} \quad (2.9)$$

generated at the output of the phototransistor, as before. But if the gate were only open for 0.60 seconds at a time the readout would not display 40,000 as before, but instead it would read:

$$(40,000) (0.60) = 24,000 \text{ events} \quad (2.10)$$

This output would be interpreted as 2400.0 RPM by the judicious placement of the decimal point on the counter, a matter that is very easy to affect in hardware.

Code wheels can also be programmed to produce various recognized computer or other digital codes. These can be used to indicate position. An example is shown in Fig. 2-7. Ordinary base-2

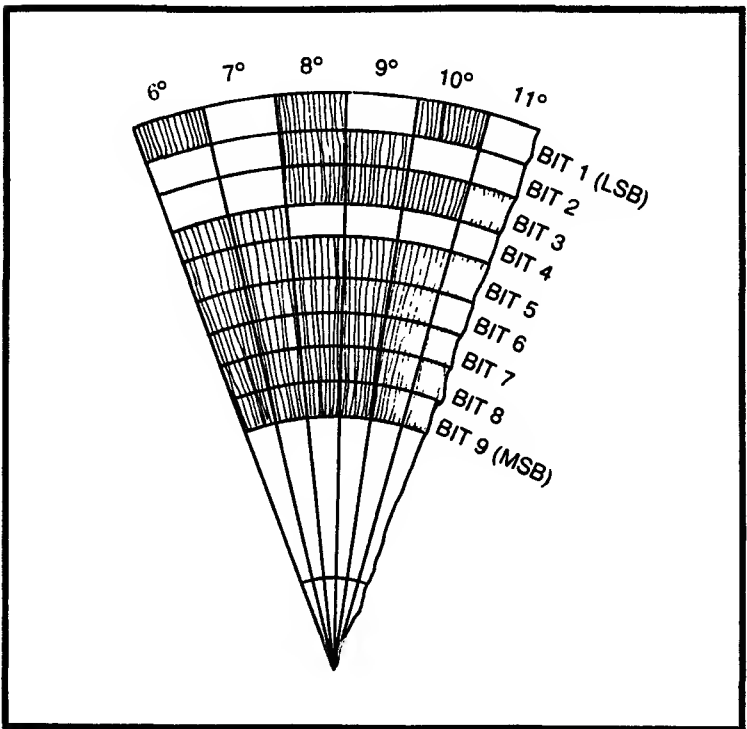


Fig. 2-7. Binary, gray, or BCD code wheel.

binary code is weighted by position into powers of 2 according to the scheme:

|       | Bit No. | Binary Weight | Decimal Weight |
|-------|---------|---------------|----------------|
| (LSB) | 1       | $2^0$         | 1              |
|       | 2       | $2^1$         | 2              |
|       | 3       | $2^2$         | 4              |
|       | 4       | $2^3$         | 8              |
|       | 5       | $2^4$         | 16             |
|       | 6       | $2^5$         | 32             |
|       | 7       | $2^6$         | 64             |
|       | 8       | $2^7$         | 128            |
|       | 9 (MSB) | $2^8$         | 256            |

In the code wheel segment shown in Fig. 2-7 the arrangement is to have bit 1, the least significant bit (LSB), on the outer rim and bit 9, the most significant bit (MSB), on the inner ring. Notice that the  $6^{\circ}$  position is unblinded at bits 2 and 3 making the digital word at the output 000000110. This is deciphered in decimal form as:

$$0 + 0 + 0 + 0 + 0 + 0 + 0 + 2^2 + 2^1 + 0 = 4 + 2 = 6$$

Similarly, the  $7^{\circ}$  position of the wheel is unblinded at bits 1, 2, and 3 making the equivalent digital word 000000111, which is interpreted as:

$$0 + 0 + 0 + 0 + 0 + 0 + 0 + 2^2 + 2^1 + 2^0 = 4 + 2 + 1 = 7$$

Code wheels are also found in drum or cylindrical form. Some of these use the counter type of configuration in which the necessary code is around the circumference of the cylinder. Another form uses the binary code technique of Fig. 2-7 by arranging the blinded and unblinded squares along the length of the cylinder body. At least one high-performance phase-locked loop (PLL) communications receiver uses such a drum ganged to the tuning knob. The binary code is used to drive the PLL local oscillator and the electronic digital frequency indicator used as the frequency readout.

## VELOCITY & ACCELERATION TRANSDUCERS

The analog position transducer can be used to generate both velocity and acceleration information. Recall from elementary physics that *velocity* ( $v$ ) is the first time derivative of position, and that *acceleration* ( $a$ ) is both the first time derivative of velocity and the second time derivative of position. In mathematic notation:

$$v = dx/dt \quad (2.11)$$

$$a = dv/dt \quad (2.12A)$$

$$a = d^2x/dt^2 \quad (2.12B)$$

The most pressing implication of these facts is that we may often find it convenient to generate a position signal, and it is usually almost always cheaper to generate the position signal. We can then pass the position signal through an electronic differentiator to obtain a velocity signal. The velocity signal can then be passed through another differentiator to obtain an acceleration signal.

A popular angular velocity transducer is the AC alternator ganged to the rotating shaft. Most of these devices consist of an armature laden with a number of small pole pairs (see Fig. 2-8) and a

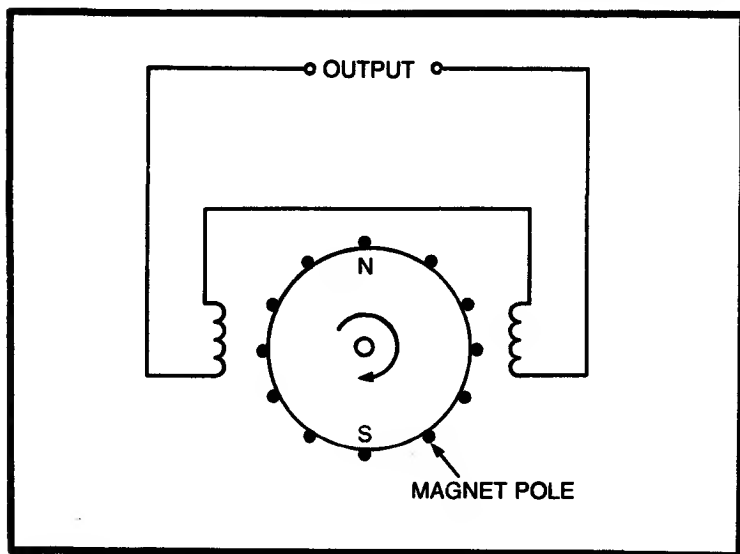


Fig. 2-8. Alternator tachometer.

set of coils. As the shaft is rotated these magnets generate an alternating current in the coils, and this signal is used as the angular velocity signal. Most alternator transducers have a frequency output scalar specification giving the number of hertz per revolution that are produced. Typical specifications are on the order of 10, 60, or 100 hertz per revolution.

There are two ways this can be used to indicate angular velocity. In one method we simply count the output frequency. If the specification is 60 hertz/revolution, what frequency would indicate a rotational speed of 1800 RPM?

$$f_{\text{out}} = \frac{60 \text{ cycles}}{\text{rev}} \times \frac{1800 \text{ rev}}{\text{min.}} \times \frac{1 \text{ min.}}{60 \text{ sec.}} \quad (2.13)$$

$$f_{\text{OUT}} = 1800 \text{ cycles/sec} = 1800 \text{ hertz} \quad (2.14)$$

It doesn't take a genius to figure out that a scale factor of 6, 60, or 600 cycles per revolution will result in a highly readable display on the frequency counter because the frequency of the tachometer output is numerically the same as the shaft speed.

The tachometer signal will be AC, so unless the counter is equipped with a front end that is capable of handling sine waves it will be necessary to provide some signal conditioning. A Schmitt trigger or zero-crossing detector between the tachometer output and the counter input will usually suffice.

Sometimes an analog voltage or current level is preferred or required. The tachometer is still usable in that case by either of two means: frequency-voltage conversion by a counter with a D/A converter or integration. If a frequency counter is employed, then a D/A converter can be used at its output lines to produce the analog signal. But counter circuits tend to be expensive and are often very slow. The cure, our second method, is shown in Fig. 2-9.

The output of the alternator is conditioned in a zero-crossing detector that is designed to produce an output pulse every time the AC input signal crosses the zero-volt baseline. An operational

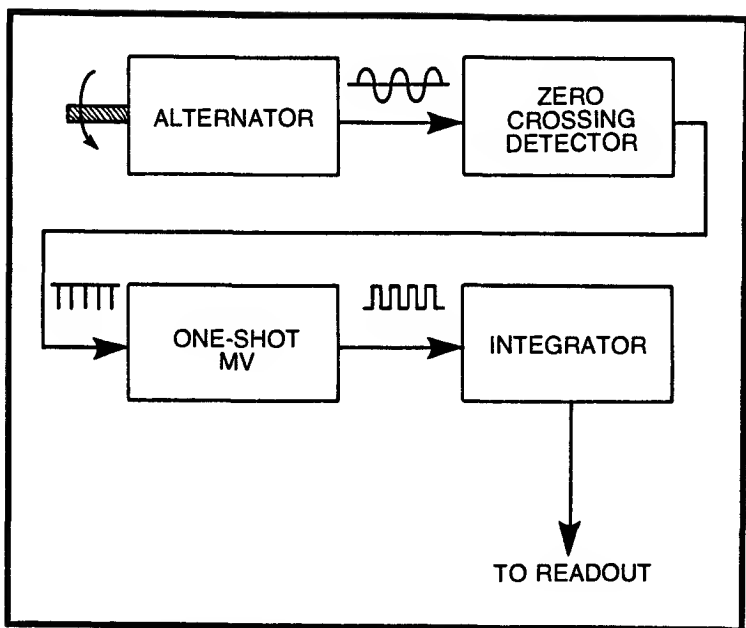


Fig. 2-9. Tachometer block diagram.

amplifier comparator with one input grounded and the AC signal applied to the other input will do this job. The signal is then differentiated and passed to a switching diode to obtain a negative-going spike.

The pulses from the zero-crossing detector are used to trigger a monostable (one-shot) multivibrator stage. The one-shot multivibrator will produce one output pulse every time it is triggered. These pulses will all have the same time duration and amplitude. When they are time averaged in the following integrator stage a DC level is produced that is proportional to the frequency. This signal, then, is the angular velocity signal.

The analog velocity signal can be integrated to form a position signal:

$$x = C_1 \int E(v) dt \quad (2.15)$$

or differentiated to form an acceleration signal:

$$a = \frac{dE(v)}{dt} \quad (2.16)$$

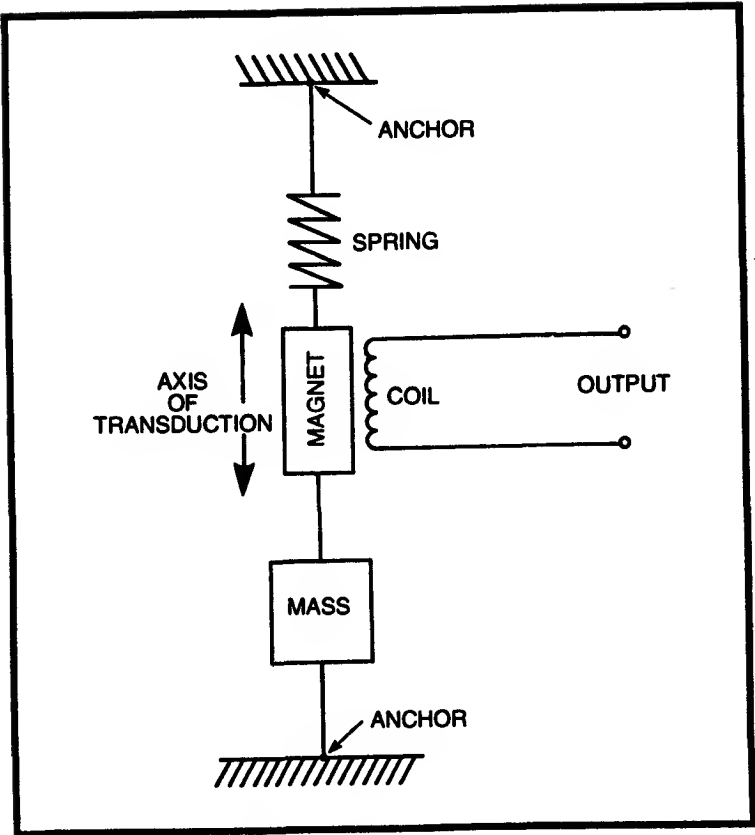


Fig. 2-10. Force-displacement accelerometer.

Neither of these derived signals, incidentally, is as accurate as the velocity signal because a certain distortion of the data occurs due to phase shifts inherent in operational integrator and differentiator circuits.

Accelerometers are sometimes built similar to the device shown in Fig. 2-10. Transduction occurs when a permanent magnet moves relative to a fixed inductor. In actual practice the permanent magnet is cylindrical, and is mounted inside of and coaxially to the cylindrical inductor.

Two springs connected to rigid anchors hold the magnet and a calibrated mass in place. The force equation for a spring (in this case the two springs are taken to be a single unit) is:

$$F = -Kx \quad (2.17)$$

We also know that Newton's second law defines force as

$$F = ma \quad (2.18)$$

We can conclude that

$$ma = -Kx \quad (2.19)$$

$$a = -Kx/m \quad (2.20)$$

But the quantity  $-K/m$  is a constant in any given transducer, so Eq. 2.20 can be written as

$$a = cx \quad (2.21)$$

where  $a$  is the acceleration,  $x$  is the displacement along the axis of transduction, and  $c$  is a unique constant.

Acceleration can only exist when the position and velocity are changing, a fact that is inferred by the fact that acceleration is the first derivative of the latter and the second derivative of the former. Since the output potential of the inductor is proportional to the rate of change of position ( $x$ ) and  $x$  is proportional to acceleration, we can conclude that the output potential is also proportional to the acceleration.

A vibration transducer is made almost exactly like Fig. 2-10, except that the mass is deleted and the  $-K$  term is set for the size vibrations that the transducer is expected to handle. This class of transducers is used both in engineering applications and in seismological studies.

The basic transducer of Fig. 2-10 is also occasionally used in force measurements. Again by Newton's second law, we can infer the force applied from the core displacement. But this type of transducer works only for dynamic force situations, and will not respond at all to static forces and responds only poorly to slowly changing forces. A better solution, perhaps, is the transducer of Fig. 2-11. Here we have a potentiometer ganged to a rod that drives a spring. Again the force is proportional through a constant to the displacement of the spring along the axis of transduction. This type of transducer will yield an output signal regardless of whether the applied force is static or dynamic.



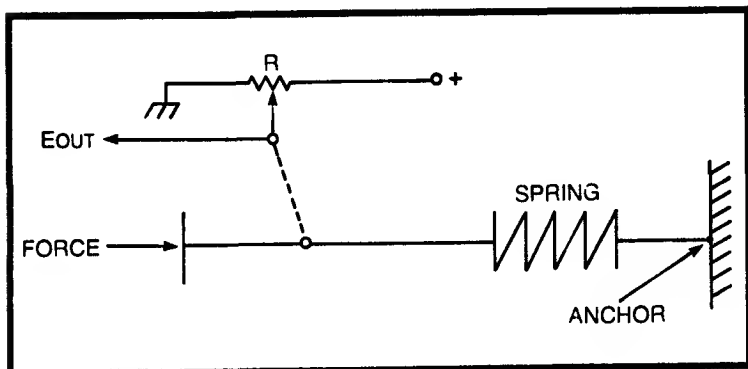


Fig. 2-11. Alternate accelerometer.

### Fluid Pressure Transducers

There are three forms of common fluid-pressure transducer which we will consider: resistive strain gauges, inductive strain gauges, and solid state. These are represented by the products of Statham, Hewlett-Packard, and National Semiconductor, respectively.

The resistive strain gauge type of pressure transducer uses a four-element Wheatstone bridge bonded to a thin metal diaphragm. The fluid under pressure is applied to the other side of the diaphragm, and this distends the diaphragm, thereby changing the resistance of the strain gauge bridge elements.

Figure 2-12 shows the circuit diagram for a popular inductive fluid-pressure transducer, the Hewlett-Packard Model 1280B/C. This is also a form of Wheatstone bridge, but requires an AC excitation source. The variable bridge elements are the reactances of coils  $L_1$  and  $L_2$ , while resistors  $R_1$  and  $R_2$  form the fixed bridge arms. Resistor  $R_3$  and the thermistor are used in some models for temperature compensation.

Under zero pressure (open to atmosphere) conditions the core will be inside of both  $L_1$  and  $L_2$  equally. But under pressure, the diaphragm distends and drives the rod partially out of one coil and into the other, and this unbalances the system.

Few transducers accurately meet their sensitivity specifications (Fig. 2-13), so in the H-P 1280 series a large barrel connector

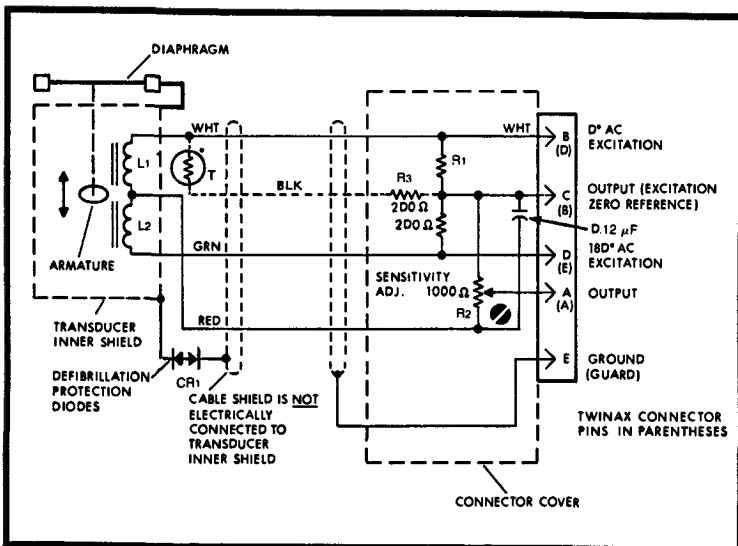


Fig. 2-12. Inductive fluid pressure transducer. (Courtesy of Hewlett-Packard.)

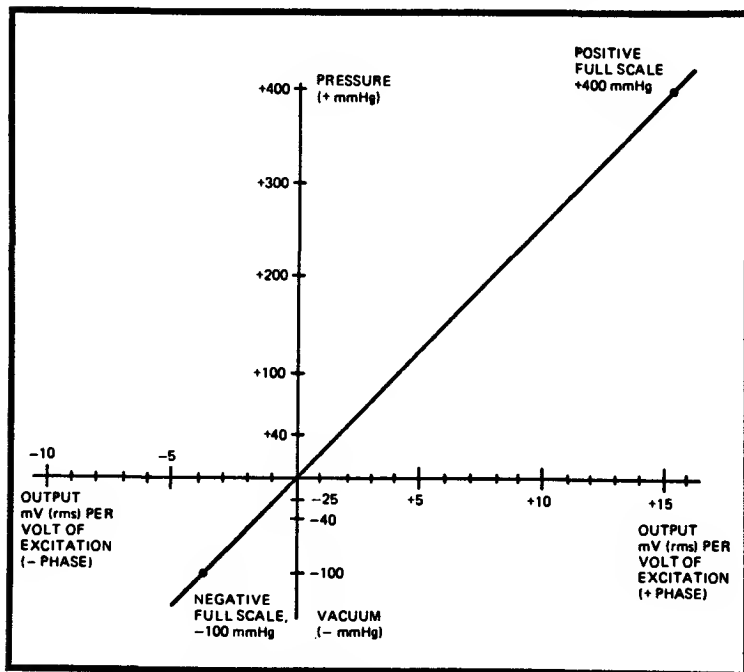


Fig. 2-13. Transfer function for Fig. 2-12. (Courtesy of Hewlett-Packard.)

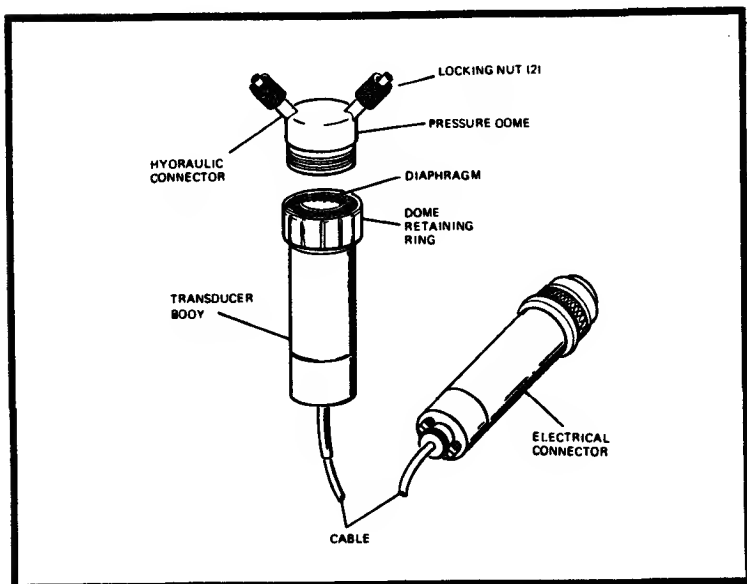


Fig. 2-14. H-P Model 1280 transducer. (Courtesy of Hewlett-Packard.)

(see Fig. 2-14) is used to contain the fixed elements of the bridge, the thermal compensation, and a sensitivity adjustment potentiometer. This feature allows you to apply a standard pressure, then adjust the sensitivity to a standard output level.

Figures 2-14 and 2-15 show the basic form of the pressure transducer. Although this is specifically the H-P 1280, it is applicable to a wider range of products, especially those in the medical arterial and venous blood pressure monitoring business.

The fluid is applied to the diaphragm, and is contained within a plastic pressure dome. There are actually two types of pressure domes. The conventional type of Fig. 2-14 and the disposable type of Fig. 2-15. In the disposable type there is a thin membrane stretched across the opening that is in contact with the diaphragm. A small drop of liquid is placed on the diaphragm to couple the membrane and diaphragm together. According to certain physical principles, the pressure on the diaphragm will be the same as the pressure on the fluid side of the membrane, provided that no air is in the system. The disposable dome finds a warm reception in medical applications

because it is shipped sterile, thereby reducing or even eliminating the sterilization of the transducer between patients.

The medical configuration shown in the figures is also useful in other physical science and engineering applications, but there are numerous other configurations available for special purposes. For these let me recommend that you consult the manufacturer's literature.

National Semiconductor manufactures a clever line of temperature compensated integrated circuit pressure transducers (see Fig. 2-16). These contain the bridge, regulated excitation source, temperature compensation, and operational amplifiers needed to produce a high-level output voltage from a pressure applied to a fitting

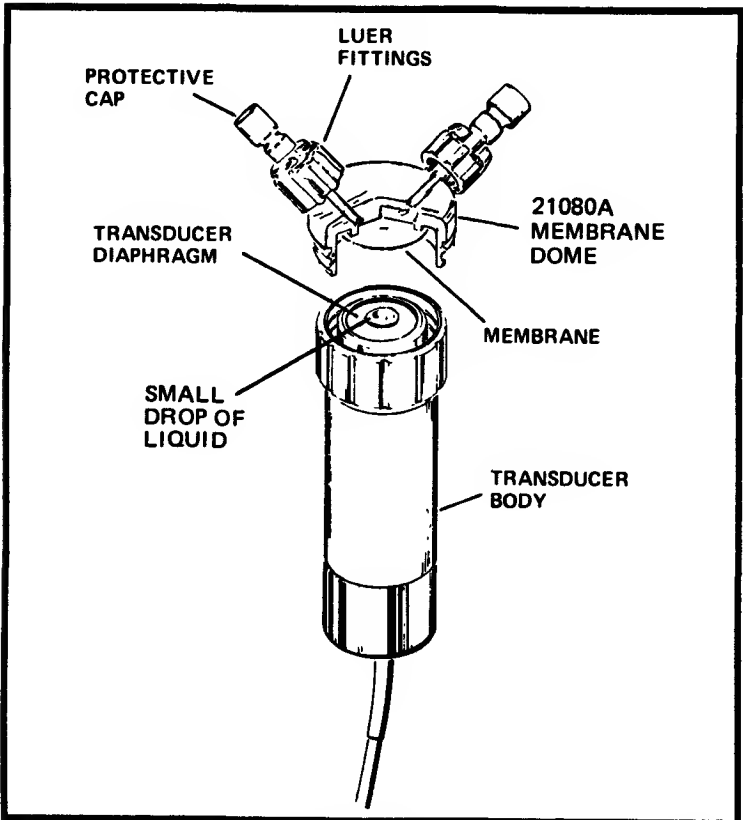


Fig. 2-15. Use of a disposable pressure dome. (Courtesy of Hewlett-Packard.)

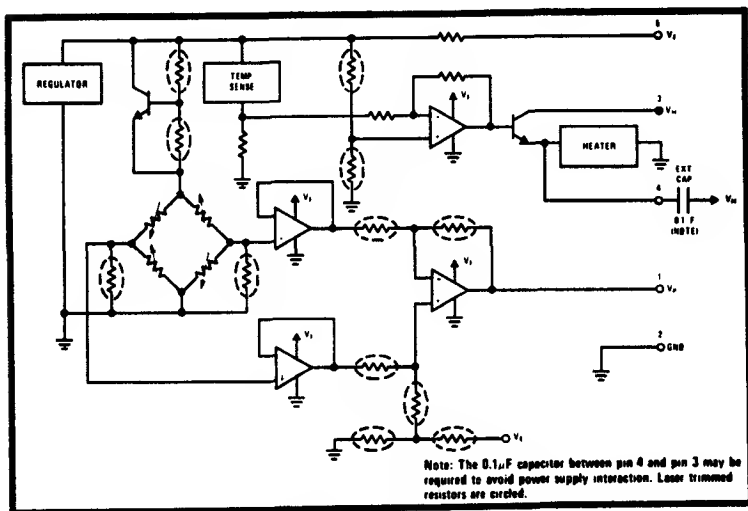


Fig. 2-16. National Semiconductor solid-state pressure transducer. (Courtesy National Semiconductor.)

on the IC body. The transducers, designated by the maker as their LX series, are available in different configurations and ranges for different applications. For specific details consult National Semiconductor's assorted catalogues.

### Temperature Transducers

Three basic forms of temperature transducer are of nominal interest to us in this discussion: thermoresistive (i. e., thermistors), thermocouples, and semiconductor PN junctions.

All electrical conductors will change resistance somewhat with changes in applied temperature. A thermistor is a device in which this property is optimized and predictable.

Figure 2-17 shows the graph of a typical thermistor with a negative temperature coefficient. This is the resistance-versus-temperature plot. The shape is decidedly nonlinear except for the region between temperatures  $T_1$  and  $T_2$ . This region can be used directly for temperature measurement in ordinary bridge or half-bridge circuits. But beyond temperature  $T_2$  we must use one of several possible linearization techniques in order to avoid huge errors.

A *thermocouple* is formed by joining two dissimilar metals, usually wires, into a  $V$  (see Fig. 2-18). Every material has associated with it a natural property known as its work function. Differences in the respective work functions of material  $A$  and material  $B$  gives rise to a millivolt-range potential that is a function of temperature. When the junction is heated, a potential is found across the ends. One problem associated with the thermocouple, incidentally, is that other thermocouples are formed between the wires forming each leg and

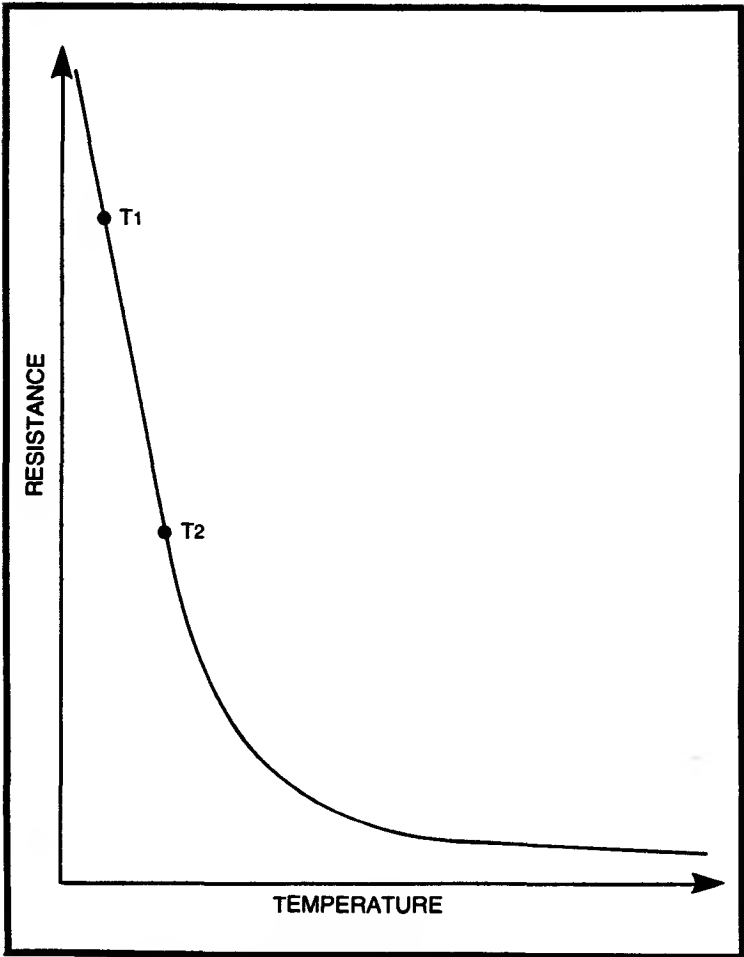


Fig. 2-17. Typical thermistor transfer function.

the copper wires connecting the device to its electronic circuit. This is of little consequence if both wires are of identical material, but it can be a problem otherwise.

Various types of thermocouple and combinations exist; and they have differing properties and applications (see Fig. 2-18B):

### **J-Type**

This thermocouple consists of a positive iron wire and a negative constantan alloy wire. It can be used in chemically reducing atmospheres and at temperatures up to 1600°F if appropriate wire diameters are obtained.

### **T-Type**

This type, copper and constantan, is used in mildly oxidizing and reducing atmospheres at temperatures up to 750°F.

### **K-Type**

This type uses a positive chromel alloy wire and a negative alumel alloy wire. It can be used in some oxidizing atmospheres at temperatures up to 2300° F.

### **E-Type**

This thermocouple, chromel and constantan, is used in mildly reducing or oxidizing atmospheres and in vacuums up to temperatures of 1600°F.

A PN junction of semiconductor material, such as a common diode, consists of N-type and P-type semiconductor material joined together in a bond. This type of junction has some excellent temperature transduction properties, which are of immense use even though limited to lower temperature ranges than the thermocouple.

The temperature transduction properties of an ordinary reverse-biased power supply rectifier can be demonstrated with an ordinary ohmmeter. Connect the terminals of the ohmmeter to the diode such that the ohmmeter battery reverse biases the diode junction. Note the resistance, then apply heat. A match, heat gun (i.e., a hair dryer), or cigarette lighter will give spectacular results, but even the heat in your fingers can cause a noticeable resistance change when you grasp the body of the diode.

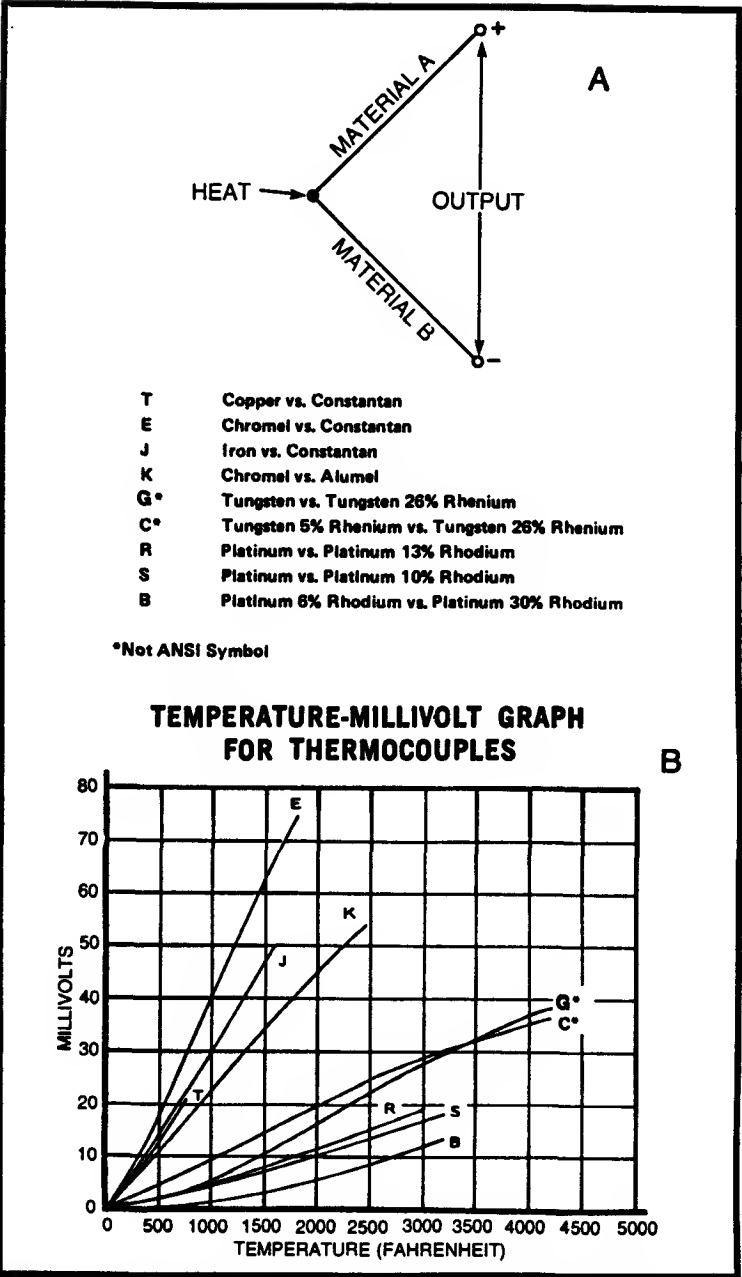


Fig. 2-18. Thermocouples. (A) Physical configuration. (B) Transfer function. (Courtesy of Omega.)



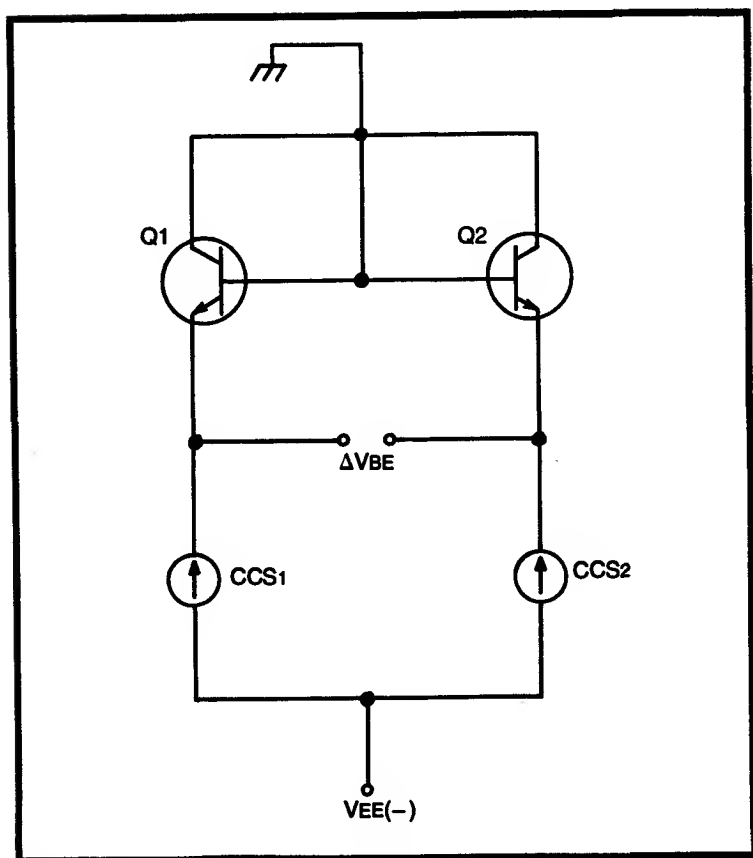


Fig. 2-19. Transistor PN junction temperature transducer.

A matched pair of diode-connected transistors offers the best PN junction temperature transducer (see Fig. 2-19). The base-emitter voltage ( $V_{BE}$ ) in a transistor is given by:

$$V_{BE} = \frac{kT}{q} \ln \left( \frac{I_C}{I_S} \right) \quad I_C/I_S \gg 1 \quad (2.21)$$

where  $k$  is Boltzmann's constant ( $1.38 \times 10^{-23}$  J/°K),  $T$  is the absolute temperature in degrees Kelvin (°K),  $q$  is the elementary electric charge ( $1.6 \times 10^{-19}$  coulombs),  $I_S$  is the reverse saturation

current nominally taken to be  $1.87 \times 10^{-14}$  amperes in one transistor used for this purpose, and  $I_C$  is the collector current expressed in amperes.

If a circuit such as Fig. 2-19 is constructed using a matched-dual transistor (two identical transistors inside one case) we can calculate the *differential* base-emitter voltage ( $\Delta V_{BE}$ ) from the combined expression:

$$\Delta V_{be} = \frac{kT}{q} \ln \left( \frac{I_{C1}}{I_{S1}} \right) - \frac{kT}{q} \ln \left( \frac{I_{C2}}{I_{S2}} \right) \quad (2.22)$$

$$\Delta V_{BE} = \frac{kT}{q} \left[ \ln \left( \frac{I_{C1}}{I_{S1}} \right) - \ln \left( \frac{I_{C2}}{I_{S2}} \right) \right] \quad (2.23)$$

$$\Delta V_{BE} = \frac{kT}{q} \left[ \ln \frac{(I_{C1}/I_{S1})}{(I_{C2}/I_{S2})} \right] \quad (2.24)$$

$$\Delta V_{BE} = \frac{kT}{q} \left[ \ln \left( \frac{I_{C1}}{I_{C2}} \cdot \frac{I_{S2}}{I_{S1}} \right) \right] \quad (2.25)$$

$$\Delta V_{BE} = \frac{kT}{q} \left[ \ln \left( \frac{I_{C1}}{I_{C2}} \right) + \ln \left( \frac{I_{S2}}{I_{S1}} \right) \right] \quad (2.26)$$

But  $I_{S1}$  and  $I_{S2}$  are very nearly equal in a monolithic matched pair, so Eq. 2.26 can be rewritten in the form

$$\Delta V_{BE} = \frac{kT}{q} \left[ \ln \left( \frac{I_{C1}}{I_{C2}} \right) + \ln (1) \right] \quad (2.27)$$

and since the natural logarithm of 1 is 0,

$$\Delta V_{BE} = \frac{kT}{q} \left[ \ln \left( \frac{I_{C1}}{I_{C2}} \right) \right] \quad (2.28)$$

In Eq. 2.28 the terms  $k$  and  $q$  are physical constants, and if the respective collector currents are made constant and nonequal (to prevent their ratio from being 1), we may lump these terms together to form a new constant,  $k'$  (the log of a constant is also a constant). We can then rewrite Eq. 2.28 in the form:

$$\Delta V_{BE} = k' T \quad (2.29)$$

and rearranging to obtain an equation that is a function of temperature:

$$T = \frac{\Delta V_{BE}}{k'} \quad (2.30)$$

We can conclude, therefore, that voltage  $\Delta V_{BE}$  is proportional to the absolute temperature of the junction. In fact, assuming that the ratio  $I_{C1}/I_{C2}$  is set equal to 2:1, and

$$k' = (k/q) \ln (I_{C1}/I_{C2}) \quad (2.31)$$

$$k' = (1.38 \times 10^{-23} / 1.6 \times 10^{-19}) / \ln 2 \quad (2.32)$$

$$k' = 5.978 \times 10^{-5} \quad (2.33)$$

By rearranging Eq. 2.30 we gain a conversion factor relating the output voltage to the temperature:

$$\frac{\Delta V_{BE}}{T} = k' = 5.978 \times 10^{-5} \quad (2.34)$$

$$\frac{\Delta V_{BE}}{T} = 59.78 \mu\text{V}/^\circ\text{K} \quad (2.35)$$

We can amplify this potential to make it both larger and numerically equal to the temperature. The required amplification to give us a scale factor of 10 mV/°K is:

- a. Convert Eq. 2.35 to mV/°K:

$$\frac{\Delta V_{BE}}{T} = 0.05978 \text{ mV/}^\circ\text{K} \quad (2.36)$$

- b. The amplification,

$$A_V = E_{OUT}/E_{IN} \quad (2.37)$$

$$A_V = (10 \text{ mV})/(0.05978 \text{ mV})/^\circ\text{K} \quad (2.38)$$

$$A_V = 167.3 \quad (2.39)$$



## Chapter 3

# Operational Amplifiers

---

Electronic circuit design is sometimes rather arcane, so is usually left to the electrical engineer trained in electronics. If you wanted to design a transistor amplifier to use with the transducer in the previous chapter, which required a gain of 167.3, you would very rapidly find that it is a tough chore. But the introduction of the integrated circuit operational amplifier has changed all of that. In past decades discrete operational amplifiers in self-contained chassis were often used by engineers and physical scientists to perform instrumentation chores because the operational amplifier responds to some simple design equations. The IC operational amplifier brings the application down to the circuit design level, and as one writer termed it “the contriving of contrivances is a game for all.”

The operational amplifier has certain properties which allow us to use simplified design and analysis techniques. Considering first the ideal operational amplifier, we find the following basic properties:

1. Infinite open-loop voltage gain
2. Infinite input impedance
3. Zero output impedance ( $Z_o = 0$ )
4. Infinite bandwidth
5. Infinite common-mode rejection ratio

And since most IC operational amplifiers possess both inverting (–) and noninverting (+) inputs, we can amend property 1 to include an

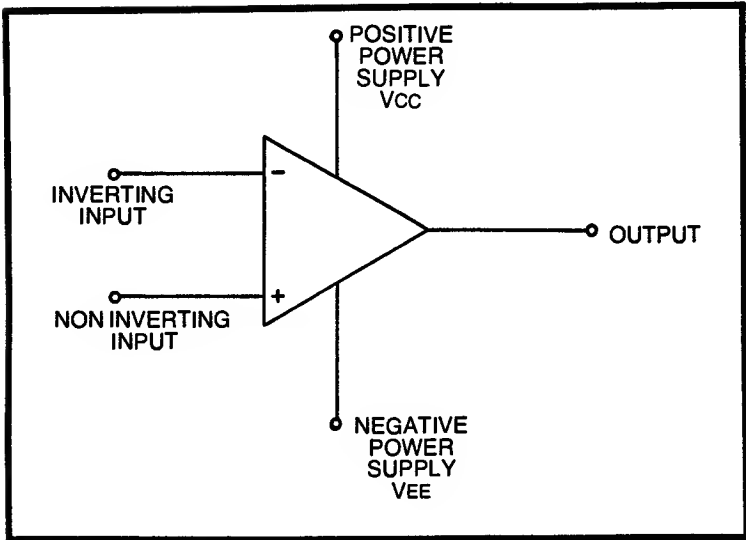


Fig. 3-1. Operational amplifier symbol.

infinite open-loop differential voltage gain, and add one further property to the list:

6. Both inputs stay together, meaning that setting conditions at one input will effectively set the same conditions at the other input.

These properties define the operational amplifier and account for the elegant simplicity of operational amplifier circuit design. The implication of properties 1 through 3 is that the characteristics of an operational amplifier circuit follow directly from the characteristics of the negative-feedback loop. We may, therefore, design a circuit using operational amplifiers as the active element through consideration of the transfer function of the feedback network (sigh, ain't it exciting?).

## INVERTING & NONINVERTING AMPLIFIERS

Figure 3-1 shows the symbol for an IC operational amplifier. The two inputs shown are the inverting (-) and noninverting (+) inputs. The inverting input produces an output signal that is  $180^\circ$  out of phase with the input, while the noninverting input produces an inphase output signal.

Initially, we will consider the inverting amplifier configuration shown in Fig. 3-2. For the sake of simplicity the power connections are deleted in our drawings.

In this circuit there are two resistors, input resistor  $R_{IN}$  and negative-feedback resistor  $R_F$ . The noninverting input is grounded, so by property 6 we can legally treat point A (the junction of  $R_{IN}$ ,  $R_F$ , and the inverting input) as if it were also grounded. This concept is usually called a "virtual ground" because most of us are not clever enough to come up with a word that says it better.

There are two methods for analyzing the operational amplifier circuit in order to obtain the transfer function equation, feedback theory and by consideration of Kirchoff's current law. Unless it is necessary to use a complex feedback network, however, the latter is usually superior for making the circuit analysis and determining the overall circuit transfer function.

### KIRCHOFF'S LAW METHOD

Consider property 2: infinite input impedance. This implies that the input current is zero. The inverting input will neither sink nor source any current. The total current flowing into the summing

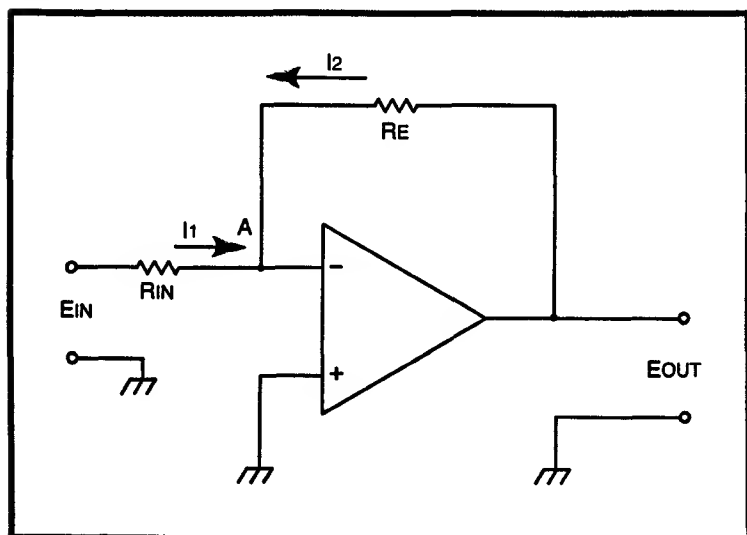


Fig. 3-2. Inverting follower.



junction at point  $A$  is  $(I_1 + I_2)$ , which by Kirchoff's current law must sum to zero. Therefore:

$$-I_1 = I_2 \quad (3.1)$$

But, by Ohm's law,

$$I_1 = \frac{E_{IN}}{R_{IN}} \quad (3.2)$$

and

$$I_2 = \frac{E_{OUT}}{R_F} \quad (3.3)$$

So, by substituting Eq. 3.2 and Eq. 3.3 into Eq. 3.1, we get

$$-\frac{E_{IN}}{R_{IN}} = \frac{E_{OUT}}{R_F} \quad (3.4)$$

Solving Eq. 3.4 for  $E_{OUT}$  gives us the transfer function for an operational amplifier inverting follower:

$$E_{OUT} = \frac{-R_F E_{IN}}{R_{IN}} \quad (3.5A)$$

By letting the voltage gain constant  $R_F/R_{IN}$  be represented by  $A_V$  we rewrite Eq. 3.5A in the form:

$$E_{OUT} = -A_V E_{IN} \quad (3.5B)$$

The circuit for the noninverting follower will yield to a similar analysis. Because of property 6 we can claim that point  $A$  in Fig. 3-3A is at a potential equal to  $E_{IN}$ . In that case current  $I_1$  is

$$I_1 = \frac{E_{IN}}{R_{IN}} \quad (3.6)$$

and  $I_2$

$$I_2 = \frac{E_{OUT} - E_{IN}}{R_F} \quad (3.7)$$

In the noninverting amplifier we must rewrite Eq. 3.1 as

$$I_1 = I_2 \quad (3.8)$$

so, by plugging Eq. 3.6 and 3.7 into 3.8 we get

$$\frac{E_{IN}}{R_{IN}} = \frac{E_{OUT} - E_{IN}}{R_F} \quad (3.9)$$

Solving for  $E_{OUT}$  yields the transfer function for a noninverting follower:

$$\frac{R_F E_{IN}}{R_{IN}} = E_{OUT} - E_{IN} \quad (3.10)$$

$$\frac{R_F E_{IN}}{R_{IN}} + 1 = E_{OUT} \quad (3.11)$$

Rearranging to satisfy a sense of order,

$$E_{OUT} = \left( 1 + \frac{R_F}{R_{IN}} \right) E_{IN} \quad (3.12)$$

Using the feedback theory approach yields precisely the same results in both inverting and noninverting cases.

A special case of the noninverting follower is shown in Fig. 3-3B. This is the *unity-gain follower* configuration. Since the operational amplifier output is connected directly to the (-) input, the ratio  $R_F/R_{IN} = 0$ , so  $A_V = 1$ . This circuit is used mostly for buffering and impedance transformation where no gain is desired.

## THE DC DIFFERENTIAL AMPLIFIER

The two inputs on the typical IC operational amplifier have equal but opposite effects on the amplitude of the output signal. Figure 3-4 shows the differential voltage situation as it appears to the two-input operational amplifier. Since the output voltage is defined in

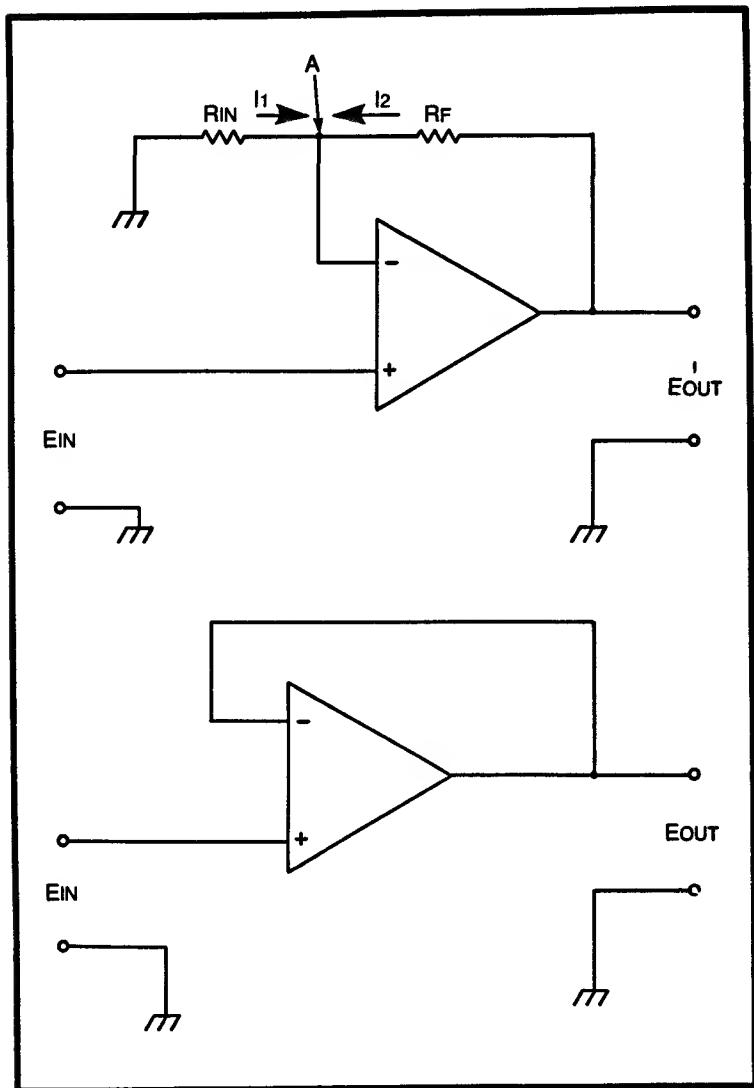


Fig. 3-3. Noninverting followers. (A) With gain. (B) Without gain.

terms of the input voltage and a gain factor, by property 6 we must rewrite Eqs. 3-5 and 3-12 in the form

$$E_{OUT} = \frac{-R_F}{R_{IN}} (E_1 - E_2) \quad (3.13)$$

and,

$$E_{OUT} = \left( 1 + \frac{R_F}{R_{IN}} \right) (E_1 - E_2) \quad (3.14)$$

respectively, whenever  $E_1 = E_2$ . In the case where  $E_1 = E_2$ , of course,  $E_{OUT} = 0$ .

Figure 3-5 shows a basic differential amplifier using a single, low-cost, IC operational amplifier. If we require that  $R_1 = R_2$  and  $R_3 = R_4$ , we can calculate the gain of the stage using Eq. 3.15:

$$A_V = \frac{R_3}{R_2} = \frac{R_4}{R_1} \quad (3.15)$$

The transfer function is

$$E_{OUT} = \frac{R_4 E_{IN}}{R_1} \quad (3.16)$$

or

$$E_{OUT} = \frac{R_3 E_{IN}}{R_2} \quad (3.17)$$

where  $E_{IN}$  is the differential input voltage  $E_1 - E_2$ .

The balance of this type of circuit is critical if property 5 is to be preserved. The common-mode voltage ( $E_3$  in Fig. 3-4) should pro-

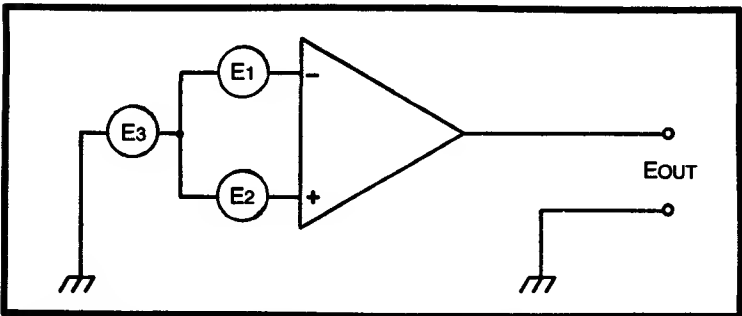


Fig. 3-4. Voltages affecting operational amplifier inputs.

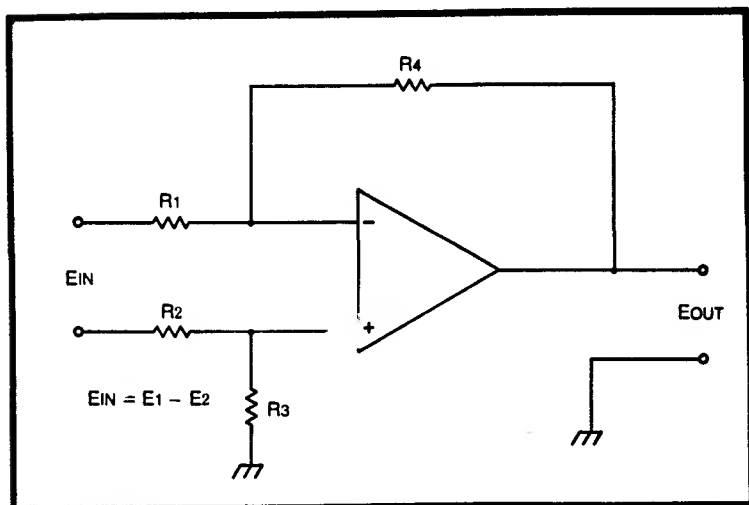


Fig. 3-5. Simple DC differential amplifier.

duce an output voltage of zero. If the resistor equalities  $R_1 = R_2$  and  $R_3 = R_4$  are not maintained, then common-mode rejection deteriorates.

The simple differential amplifier of Fig. 3-5 suffers from several problems, one of which is low input impedance. Because of this problem we often see a modified input circuit. In some cases, particularly on equipment several years old, designers used high input impedance JFETs to buffer each input, but this becomes less attractive now that high-performance operational amplifier devices are available at low cost. The use of the JFET at each input was an open invitation to thermal drift. Another technique is to use a pair of unity-gain, noninverting followers—one at each input. Modern MOSFET input operational amplifiers work well at this job.

A superior alternative seems to be the instrumentation amplifier of Fig. 3-6, a technique that preserves the high impedance of the noninverting follower yet offers gain.

We can treat input amplifiers  $A_1$  and  $A_2$  noninverting gain followers which produce output voltages of:

$$E_{A1} = \left( 1 + \frac{R_2}{R_1} \right) E_1 - \left( \frac{R_2 E_2}{R_1} \right) \quad (3.18)$$

$$E_B = \left( 1 + \frac{R_3}{R_1} \right) E_2 - \left( \frac{R_3 E_1}{R_1} \right) \quad (3.19)$$

If we assume initially that the voltage gain of amplifier  $A_3$  is set to unity and that  $R_2 = R_3$ , then

$$E_{OUT} = E_B - E_A \quad (3.20)$$

and if this operation is actually carried out using Eqs. 3.18 and 3.19 in place of  $E_A$  and  $E_B$ , the result will be

$$E_{OUT} = (E_2 - E_1) \left( 1 + \frac{2R_2}{R_1} \right) \quad (3.21)$$

In the case where the gain of amplifier  $A_3$  is greater than unity we must multiply Eq. 3.21 by the voltage gain of  $A_3$ . If  $R_4 = R_5$  and  $R_6 = R_7$ :

$$A_{V(A3)} = \frac{R_6}{R_5} \quad (3.22)$$

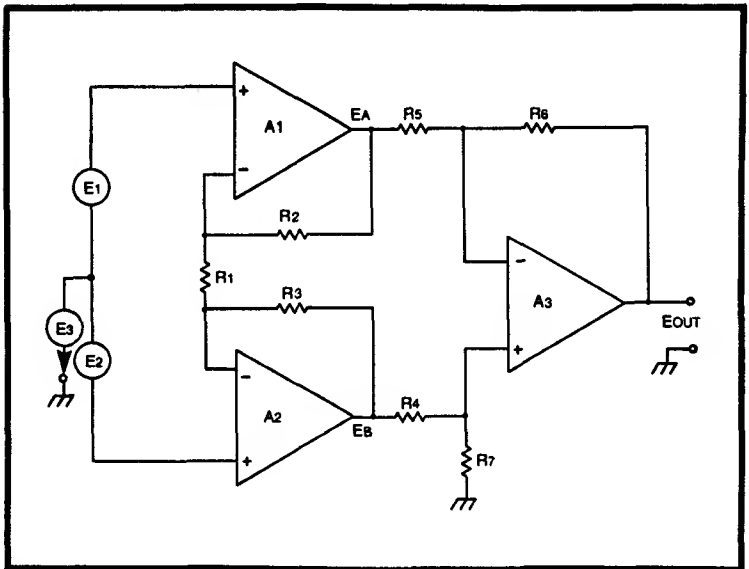


Fig. 3-6. Instrumentation amplifier.

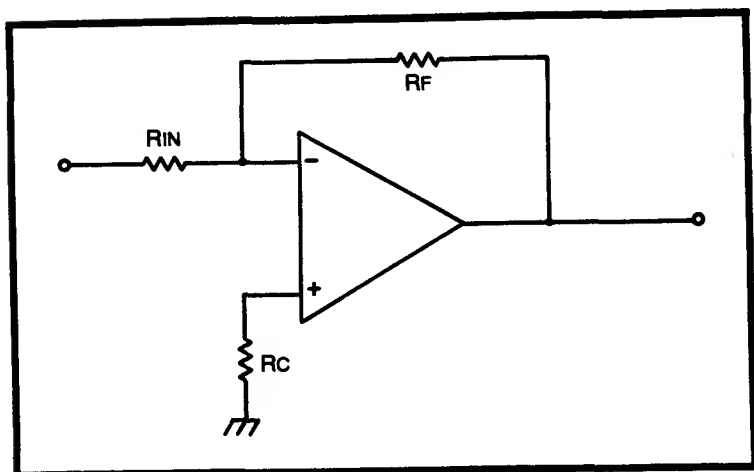


Fig. 3-7. Use of a compensation resistor.

So the transfer function of the instrumentation amplifier as a whole is given by:

$$E_{OUT} = (E_2 - E_1) \left( 1 + \frac{2R_2}{R_1} \right) \left( \frac{R_6}{R_5} \right) \quad (3.23)$$

Oddly enough, mismatching resistors  $R_2$  and  $R_3$  will not create a significant common-mode rejection problem, as would be true if  $(R_6/R_5) = (R_7/R_4)$ , but it does cause an error in the differential voltage gain.

### LIMITATIONS OF REAL OPERATIONAL AMPLIFIERS

Real IC operational amplifiers vary considerably from the ideal case. These limitations conspire to constrict the designer's freedom. For example, we have made the claim that the operational amplifier inputs will neither sink nor source current, but in real devices there is an input offset current. The input stage of the operational amplifier is a two-input transistor differential amplifier of rather ordinary configuration. Both transistors in the differential pair will require bias current, denoted  $I_{B1}$  and  $I_{B2}$ , and the offset current is their difference, namely:

$$I_{OFF} = I_{B1} - I_{B2} \quad (3.24)$$

The offset current produces an output voltage artifact equal to  $R_F \times I_{OFF}$ . In the inverting configuration of Fig. 3-2 we find that bias current  $I_B$  flowing from the inverting input produces a voltage drop across the input and feedback resistors. This will create an output voltage artifact equal to

$$\pm(R_F R_{IN})I_B A_v \quad (3.25)$$

In most cases this artifact will be larger than the  $I_{OFF}$  artifact.

A good design practice to reduce this source of error is the application of an equal magnitude potential at the noninverting input. Such a potential is generated in Fig. 3-7 by resistor  $R_C$ , which has a value equal to the value of the parallel combination of  $R_F$  and  $R_{IN}$ .

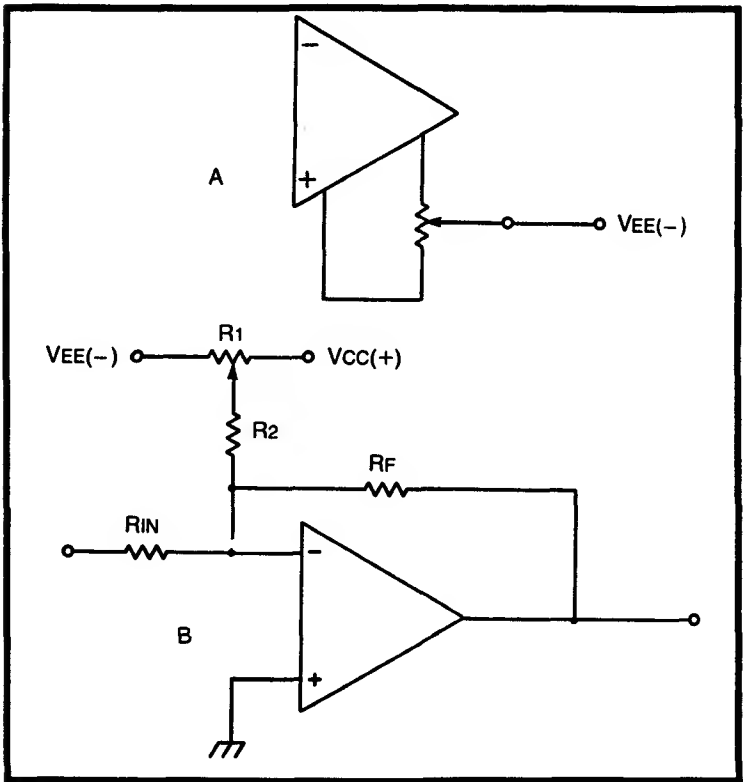


Fig. 3-8. Offset null techniques. (A) Using offset terminals. (B) Summation junction.



One other offset is a voltage term that seems to have no origin when considered solely from the viewpoint of external components—it is internally generated. This potential will be quoted in operational amplifier specification sheets as an input offset voltage, and is defined as the voltage existing at the output when the term  $E_2 - E_1$  is forced to be zero and when there is no resistance to create a voltage drop from bias currents.

Two general techniques are used to suppress all forms of output voltage offset artifact; these are shown in Fig. 3-8. That shown in Fig. 3-8A uses a special pair of null terminals found on some IC operational amplifiers. Take care, though, because not all operational amplifiers have these terminals.

The second technique, shown in Fig. 3-8B, offers applicability to almost all operational amplifier circuits. In this case use a counter-current through resistor  $R_2$  to cancel the offset. The potentiometer is connected to  $V_{CC}$  and  $V_{EE}$ , so offsets of either polarity can be accommodated.

The design of operation circuits for most simple applications is relatively easy, so simple in fact that it removes the design of circuitry down from the exclusive realm of the engineer to the world populated by more ordinary people. Although some additional applications will be offered in this book let me immodestly suggest that those readers who would like to pursue the topic further refer to my other TAB books: *Op Amp Circuit Design and Applications* (TAB Cat. No. 787), and *How To Design and Build Electronic Instrumentation* (TAB Cat No. 1012).

# Chapter 4

## Operational Amplifier Circuit Design

---

In this chapter we cover design of actual operational amplifier circuits from the procedures point of view. Circuits are not usually designed by simply plugging in values to the formulas presented in books. There is some judgement required and a lot of trade-offs.

### INVERTING FOLLOWER CIRCUITS

The inverting follower circuit (an example of which is shown in Fig. 4-1) uses just two resistors, input resistor  $R_1$  and feedback resistor  $R_2$ , to form an amplifier that obeys the transfer equation:

$$\frac{E_{OUT}}{E_{IN}} = \frac{R_F}{R_{IN}} \quad (4.1)$$

The value of resistor  $R_{IN}$  effectively sets the input impedance, and one does not ordinarily want the value of the feedback resistor to exceed 1 megohm unless a premium operational amplifier or one with a JFET or MOSFET input stage is used.

#### Example 4-1

We need an inverting amplifier with a voltage gain of 10. The source impedance is 1000 ohms.

**Solution:** Since  $Z_S = 1000$  ohms, a common rule of thumb is to make  $R_{IN}$  (in this case designated  $R_1$ )  $10 \times 1000$

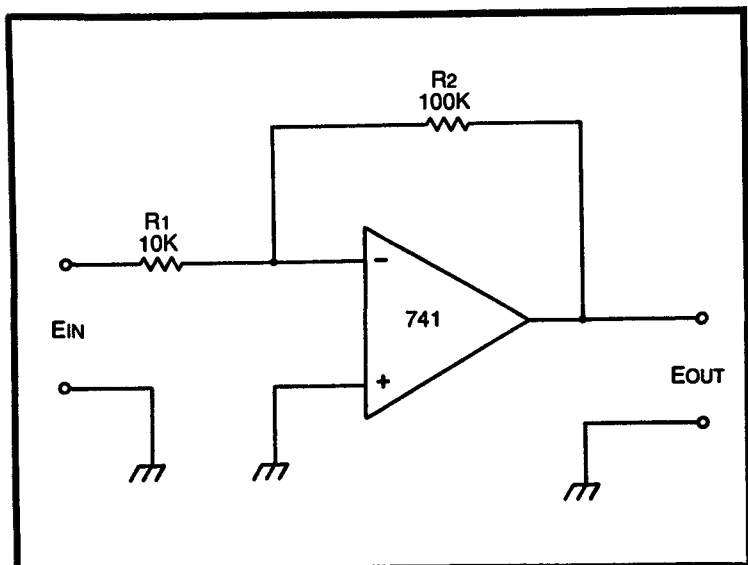


Fig. 4-1. Gain-of-10 inverting follower.

ohms, or 10,000 ohms minimum. Therefore, let  $R_1 = 10K$ . Hence,

$$A_V = R_F/R_{IN} \quad (4.2A)$$

$$A_V = R_2/R_1 = 10 \quad (4.2B)$$

Substitute in the value of  $R_1$  and solve for the value of  $R_2$ .

$$10 = R_2/10K \quad (4.3)$$

$$10 \times 10K = R_2 \quad (4.4)$$

$$100,000 = R_2 \quad (4.5)$$

### Example 4-2

Design an inverting amplifier with a voltage gain of 56 with an input impedance of 100K.

#### Solution:

1. To meet the input impedance specification set  $R_1$  (in Fig. 4-2) to 100K.
2. Compute the value of feedback resistor  $R_2$ .

$$A_V = 56 = -R_F/R_{IN} \quad (4.6A)$$

$$56 = -R_2/R_1 \quad (4.6B)$$

$$56 = -R_2/100K \quad (4.7)$$

$$R_2 = (56)(100K) \quad (4.8)$$

$$R_2 = 5,600,000 \text{ ohms} \quad (4.9)$$

$$R_2 = 5.6M$$

This value is uncomfortably high for use with the 741 and other low-cost operational amplifiers with bipolar input stages because the transistor bias current when dropped across such a high resistance will create a voltage offset of considerable magnitude at the output. It is recommended, then, that an RCA CA3140/CA3160 or some similar device be used for the amplifier element.

### Example 4-3

We want an amplifier stage to produce a gain of 0.20 with an input impedance of 100K. Determine the value of the required resistors.

#### Solution:

1. Let  $R_{IN} = 100K$  (Fig. 4-3).
2. Compute  $R_F$ .

$$R_F/R_{IN} = 0.20 \quad (4-10)$$

$$R_F/100K = 0.20 \quad (4.11)$$

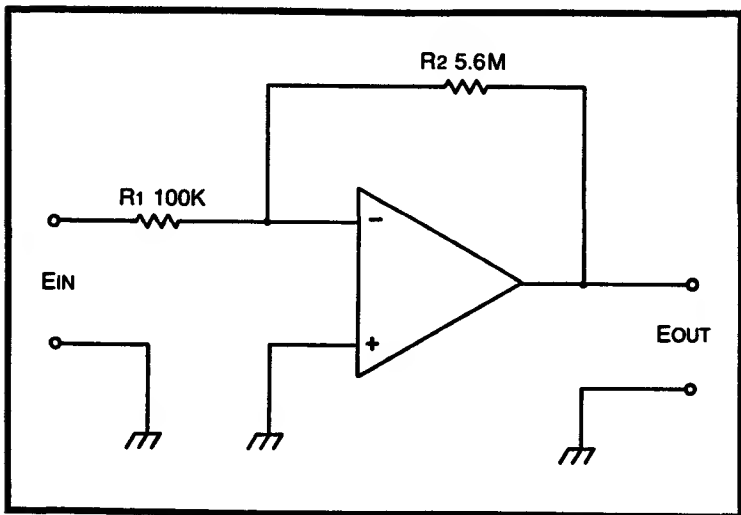


Fig. 4-2. Gain-of-56 inverting follower.

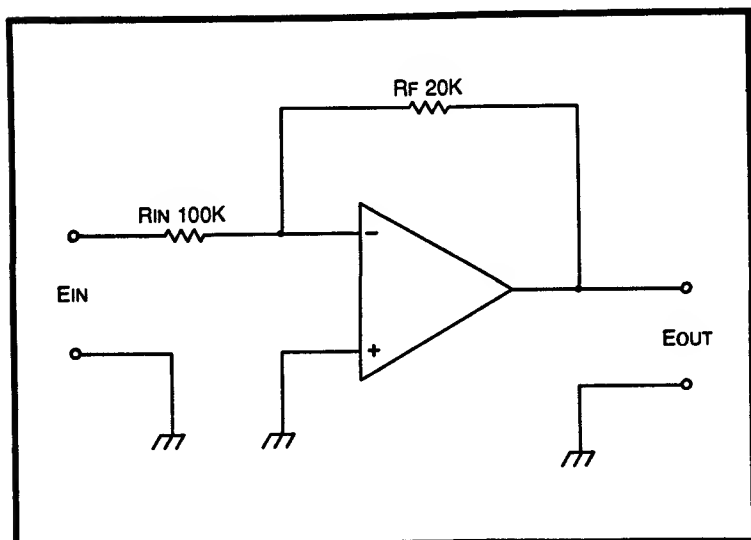


Fig. 4-3. Gain-of-2/10 inverting follower.

$$R_F = 0.2 \times 100K \quad (4.12)$$

$$R_F = 20,000 \text{ ohms} \quad (4.13)$$

#### Example 4-4

Design an amplifier with a gain of 1200. The phase of the output signal is required to be positive with respect to the input, and the input impedance should be at least 10K.

#### Solution:

It is usually considered good practice when using low-cost operational amplifiers to limit the gain required of any one stage to something less than 500, so we will want a two-stage or more amplifier chain to solve this problem. Since the output phase must be noninverted, it will be best to use two inverting amplifier stages.

1. Draw an appropriate circuit diagram (see Fig. 4-4). The gain of this amplifier is given by:

$$A_V = 1200 = (R_2/R_1) (R_4/R_3) \quad (4.14)$$

$$A_V = 1200 = (R_2R_4)/R_1R_3 \quad (4.15)$$

2. Let  $R_1 = 10K$  in order to meet the input impedance specification.

3. The 741 data sheet lists  $Z_0 = 75$  ohms, so  $R_3$  should be greater than  $10 \times 75$  ohms, or 750 ohms. Therefore, let  $R_3 = 1000$  ohms.
4. Rewrite Eq. 4.15 using the values determined in steps 2 and 3.

$$1200 = \frac{R_2 R_4}{(10^4)(10^3)} \quad (4.16)$$

$$1200 = \frac{R_2 R_4}{10^6} \quad (4.17)$$

To get a voltage gain of 1200 we merely factor 1200 to find more reasonable gain figures for  $A_1$  and  $A_2$ . Possible factors:

|                 |   |                           |
|-----------------|---|---------------------------|
| $2 \times 600$  | } | one factor too high       |
| $3 \times 400$  |   |                           |
| $4 \times 300$  |   |                           |
| $30 \times 40$  | } | more reasonable to obtain |
| $24 \times 50$  |   |                           |
| $10 \times 120$ |   |                           |

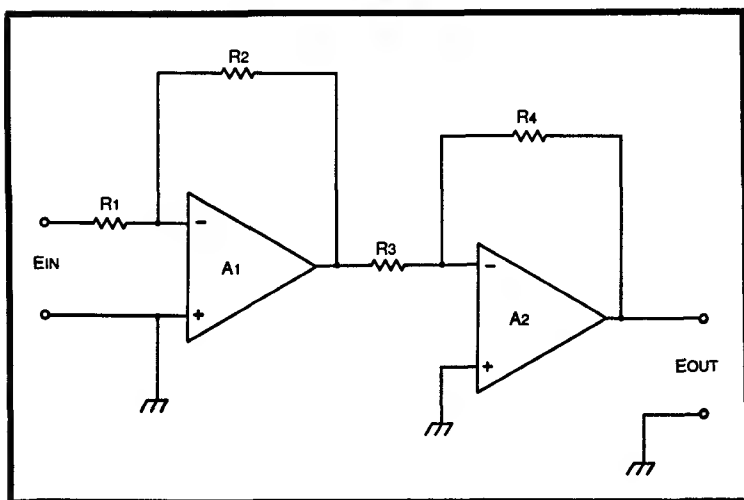


Fig. 4-4. Gain-of-1200 amplifier.

Try all of these combinations of acceptable factors to find values of  $R_2$  and  $R_4$  that are near standard resistor values.

| Trial | $A_{V(A1)}$ | $A_{V(A2)}$ | $R_2$ | $R_4$ | Comments           |
|-------|-------------|-------------|-------|-------|--------------------|
| 1     | 30          | 40          | 300K  | 40K   | nonstandard values |
| 2     | 40          | 30          | 400K  | 30K   | nonstandard values |
| 3     | 24          | 50          | 240K  | 50K   | okay               |
| 4     | 50          | 24          | 500K  | 24K   | okay               |
| 5     | 10          | 120         | 100K  | 120K  | okay               |
| 6     | 120         | 10          | 1.2M  | 10K   | okay               |

Trials 1 and 2 resulted in values for  $R_4$  and  $R_2$  that are not standard resistances, and trials 3 and 4 resulted in resistances that, while technically standard, are usually hard to obtain. It is best, then, to use trial 5 or 6.

**Rule:** Use the lowest values for all resistors in an operational amplifier circuit that will result in achieving the goal. In general, keep the feedback resistor less than 500K, or 1M at the outside, when using low-cost operational amplifiers.

If we follow the above rule we would accept trial 5, which gives us 100K for  $R_2$  and 120K for  $R_4$ . The required values then are:

$$\begin{aligned} R_1: 10K & & R_3: 1K \\ R_2: 100K & & R_4: 120K \end{aligned}$$

Does the total gain check with the specifications of 1200? To find out plug the above values into Eq. 4.15 and see if the equation balances.

$$A_V = (R_2 R_4)/(R_1 R_3) \quad (4.18)$$

$$= (100)(120)/(10)(1) \quad (4.19)$$

$$A_V = 1200$$

The answer checks out.

### Example 4-5

Design an inverting amplifier that will deliver an output signal of exactly 2.56 volts when the input voltage is 100 millivolts. Assume that the input impedance will be 10K or greater. This particular amplifier specification is common for those used with 8-bit microprocessors because they will recognize and resolve up to 256 different voltage levels.

### Solution:

1. First convert the two voltages to the same units so that the required voltage gain can be determined. Volts and millivolts are two different units, so will not mix in the same formula without conversion of one to the other.

$$100 \text{ mV} \times 1\text{V}/1000 \text{ mV} = 0.1\text{V} \quad (4.20)$$

2. Compute the required voltage gain using  $A_V = E_{\text{OUT}}/E_{\text{IN}}$

$$A_V = E_{\text{OUT}}/E_{\text{IN}} = 2.56/0.1 = 25.6 \quad (4.21)$$

3. Set  $R_{\text{IN}}$  to 10K in order to meet the input impedance specification.
4. Compute the value of the feedback resistor.

$$R_F/R_{\text{IN}} = 25.6 \quad (4.22)$$

$$R_F/10\text{K} = 25.6 \quad (4.23)$$

$$R_F = (25.6)(10\text{K}) \quad (4.24)$$

$$R_F = 256\text{K} \quad (4.25)$$

5. There are two tactics one may follow at this juncture. First, you *could* order 10K and 256K precision resistors, but you will find that suppliers of precision resistors are reluctant to sell them in quantities less than 50 each. The alternate solution, assuming that you don't want to live with the error inherent in using the nearest standard value, is to make the feedback resistor variable (see Fig. 4-5) across the 256K value that is required. In this case set  $R_1 = 240\text{K}$  (a standard value) or 220K (also standard but easier to obtain), at a tolerance of 5%. Then make  $R_2$  a potentiometer rated at 100K. This potentiometer should be a ten-turn trimmer pot for precision adjustment of the overall gain. We can then apply a potential of exactly 100 mV to the input and adjust  $R_2$  for precisely 2.56 volts at the output.

### NONINVERTING FOLLOWERS

The noninverting follower (see Fig. 4-6) uses the noninverting input of the operational amplifier, so the output will be in phase with the input. The noninverting follower obeys the relationship:

$$A_V = 1 + \frac{R_f}{R_{\text{IN}}} \quad (4.26)$$



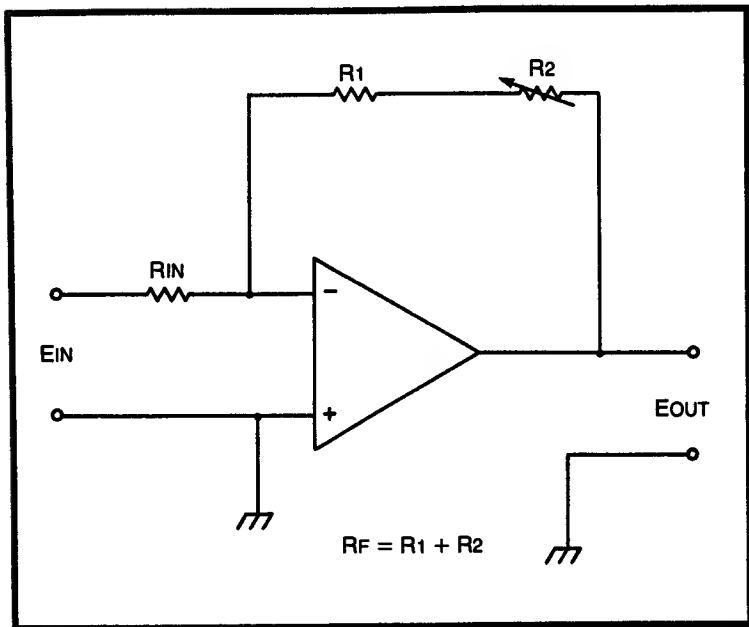


Fig. 4-5. Adjustable gain amplifier.

Note that negative feedback is still used, but the input resistor has one end grounded.

The input impedance of the noninverting follower is extremely high, and that is probably the single most important reason for using this circuit. The input impedance is *theoretically* infinite, but when we go from the ideal to the real we find that *very high* is a little nearer the truth. In low-grade operational amplifiers the input impedance of the typical noninverting follower is on the order of 1 megohm or more, while certain operational amplifiers that have MOSFET input stages boast input impedances on the order of 1.5 teraohms ( $10^{12}$  ohms).

#### Example 4-6

Design a noninverting amplifier with a voltage gain of 11.

#### Solution:

1. Pick a value for the input resistor ( $R_1$ ). A good value is 1000 ohms since it lets us obtain respectable gain figures without using high values of feedback resistor. Let  $R_1 = 1000$  ohms.

2. Solve the general transfer equation for noninverting followers for the value of the feedback resistance assuming  $A_v = 11$  and  $R_1 = 1000$  ohms:

$$A_v = 11 = 1 + R_2/R_1 \quad (4.27)$$

$$11 = 1 + R_2/1000 \quad (4.28)$$

$$10 = R_2/1000 \quad (4.29)$$

$$(1000)(10) = R_2 \quad (4.30)$$

$$10,000 = R_2 \quad (4.31)$$

So  $R_2$  will equal 10K.

### Example 4-7

We want a preamplifier with a gain of 10 to be used as the front end of a voltmeter. The amplifier must, therefore, have a high input impedance so as to not load the circuit.

#### Solution:

1. A noninverting gain-of-ten follower is indicated because of the input impedance requirement. Furthermore, it should be a gate-protected MOSFET-input operational amplifier that is used. An example is the RCA CA3130, CA3140, and CA3160 series of devices.
2. Draw an appropriate circuit diagram (see Fig. 4-6).
3. Calculate trial values by setting  $R_1$  to some standard values, then calculating appropriate values of  $R_2$ . Let  $A_v = 10$ , so

$$R_2 = (A_v - 1)R_1 = 9R_1$$

| Trial | $R_1$ | $R_2$ | Use  | $A_v$ | Error |
|-------|-------|-------|------|-------|-------|
| 1     | 680   | 6120  | 6.8K | 11    | +10%  |
| 2     | 820   | 7380  | 7.5K | 10.1  | +1%   |
| 3     | 1000  | 9000  | 9.1K | 10.1  | +1%   |
| 4     | 1200  | 10.8K | 10K  | 9.3   | -7%   |
| 5     | 1500  | 13.5K | 15K  | 11    | +10%  |
| 6     | 2200  | 19.8K | 20K  | 10.1  | +1%   |
| 7     | 3300  | 29.7K | 27K  | 13    | +30%  |
| 8     | 3900  | 35.1K | 33K  | 9.5   | -5%   |
| 9     | 4700  | 42.3K | 39K  | 9.3   | -7%   |
| 10    | 5600  | 50.4K | 50K  | 9.9   | -1%   |

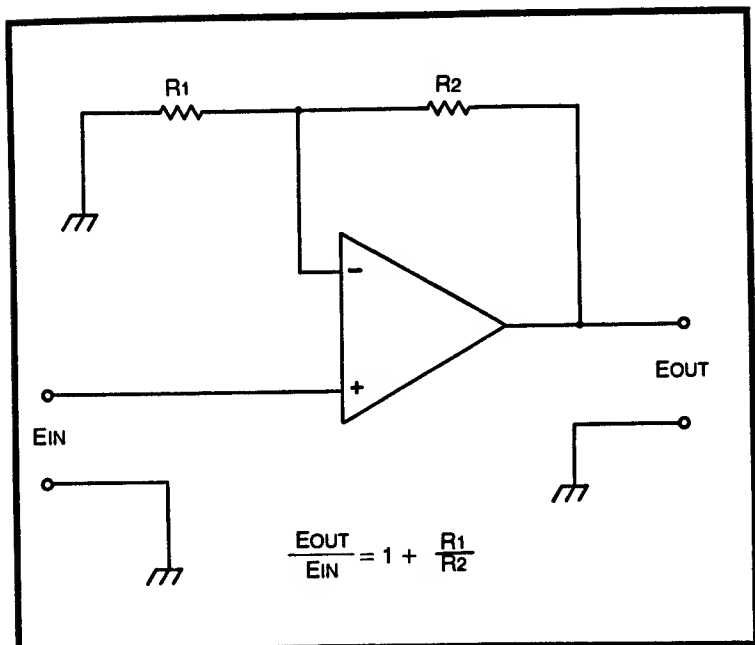


Fig. 4-6. Noninverting follower.

If precision is desired, none of these trials is too good, but making  $R_2$  a series combination of a fixed resistor and a ten-turn pot will give us the accuracy desired. Therefore, use the values given in trials 2, 3, 6, or 10. Let us pick arbitrarily trial 6, and let  $R_1 = 2.2\text{K}$  and  $R_2 = 20\text{K}$ . A good trick for  $R_2$  is to use an 18K fixed resistor and a 5K ten-turn potentiometer.

#### Example 4-8

Design a noninverting follower with a gain of 76.

#### Solution:

1. Let  $R_1 = 1000$  ohms.
2. Solve the transfer equation for  $R_2$ .

$$A_v = 76 = (R_2/R_1) + 1 \quad (4.32)$$

$$76 = (R_2/1000) + 1 \quad (4.33)$$

$$75 = R_2/1000 \quad (4.34)$$

$$75,000 = R_2 \quad (4.35)$$

So  $R_2$  will be equal to 75K.

### Example 4-9

An inverting amplifier is required that has a gain of 550, and a very high input impedance. Draw an appropriate circuit diagram (see Fig. 4-7), and calculate the resistor values.

A noninverting amplifier is used as the input stage so that the input impedance specification is met. An inverting amplifier follows this stage to provide inversion.

#### Solution:

1. Factor the gain specification (550) into possible gains for  $A_1$  and  $A_2$ . Let  $R_1 = R_3 = 1000$  ohms for convenience of calculation. Note that  $R_4 = 1K \times A_{V(A2)}$  and  $R_2 = 1K \times (A_{V(A1)} - 1)$ . Possible gain factors are as follows:

| Trial | $A_{V(A1)}$ | $A_{V(A2)}$ | $R_2$ | $R_4$ |
|-------|-------------|-------------|-------|-------|
| 1     | 110         | 5           | 109K  | 5 K   |
| 2     | 5           | 110         | 4K    | 110 K |
| 3     | 11          | 50          | 10K   | 50 K  |
| 4     | 50          | 11          | 49K   | 11 K  |
| 5     | 20          | 27.5        | 19K   | 27.5K |

There may be, of course, innumerable factors, so select only a few.

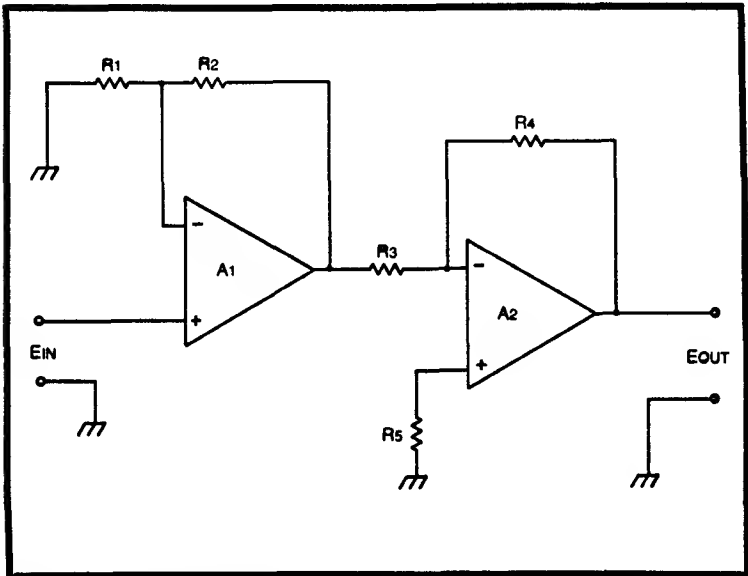


Fig. 4-7. Gain-of-550 amplifier.

Of the factors shown, the third has the best chance unless a potentiometer is used in place of either  $R_2$  or  $R_4$ , or unless a gain error can be tolerated. The gain of this circuit is given by:

$$A_V = A_{VA1} A_{VA2} \quad (4.36)$$

$$A_V = [(R_2/R_1) + 1](R_4/R_3) \quad (4.37)$$

So let's look at each trial value so that we can determine just what kind of gain errors might exist if the nearest standard value resistor is used in each case.

| Trial | $R_2$ | $R_4$ | $A_V$ | Error |
|-------|-------|-------|-------|-------|
| 1     | 110 K | 5K    | 555   | 0.9%  |
| 2     | 3.9K  | 110K  | 539   | 2.0%  |
| 3     | 10 K  | 50K   | 550   | 0 %   |
| 4     | 50 K  | 10K   | 510   | 7.3%  |
| 5     | 20 K  | 27K   | 567   | 3.1%  |

If gain errors are not too important, then we would be quite free to accept any of these trials, although one might think that trial 4 with its 7.3% error is too far off for any practical purpose.

The value of  $R_5$  is found from

$$R_5 = (R_3 R_4)/(R_3 + R_4) \quad (4.38)$$

#### Example 4-10

Design an amplifier to boost the output of a single-ended 20K transducer from 1 millivolt to 1 volt for display on an oscilloscope. Provide offset null, a sensitivity control (zero to full scale), and a position control capable of shirting the baseline of the output stage over the range - 5 volts to +5 volts.

**Solution:**

1. Compute the overall gain that is required.

$$A_V = E_{OUT}/E_{IN} \quad (4.39)$$

$$A_V = 1000 \text{ mV}/1 \text{ mV} \quad (4.40)$$

$$A_V = 1000 \quad (4.41)$$

2. Draw a suitable, if only tentative, circuit diagram (see Fig. 4-8). Of course, we must make some basic assumptions. In this case we will want resistors  $R_3$  and  $R_5$  between 200 ohms

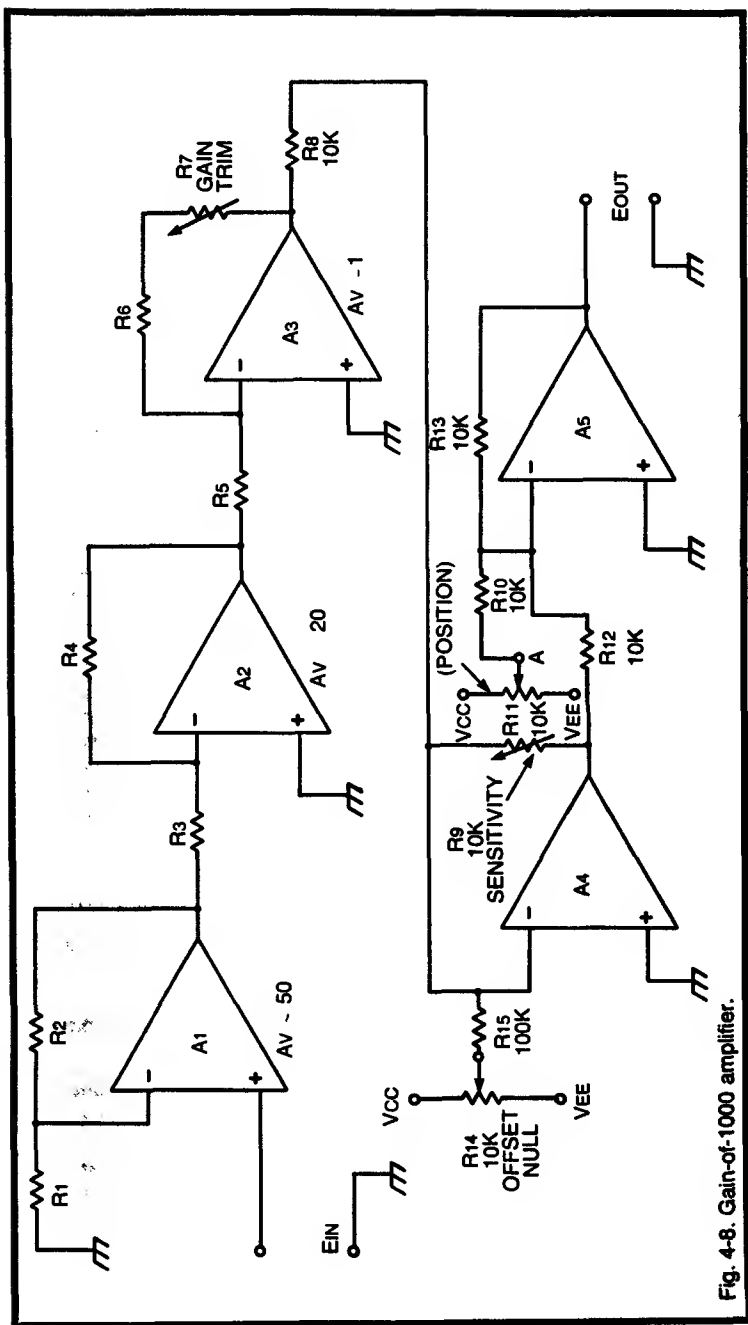


Fig. 4-8. Gain-of-1000 amplifier.

and 15K, and we select gain factors for  $A_1$  and  $A_2$  that seem reasonable. In this case we select 20 and 50 as suitable factors of 1000 for  $A_1$  and  $A_2$ , respectively. These choices, incidentally, are made from trials as before, and are almost arbitrary. Also, to meet the specification of an input impedance high enough for a 20K source impedance it is best to use a noninverting follower as the input amplifier stage.

3. Compute the resistor values for  $A_1$ .

$$A_{V_{A1}} = 50 = (R_2/R_1) + 1 \quad (4.42)$$

$$49 = R_2/R_1 \quad (4.43)$$

We next try setting  $R_1$  to various standard values, then make trial computations for  $R_2$  for each. We will then select the value of  $R_2$  closest to a standard resistor value.

| Trial | $R_1$ | $R_2$ | Use  | $A_v$ | Error |
|-------|-------|-------|------|-------|-------|
| 1     | 220   | 10.8K | 10K  | 46.5  | 7%    |
| 2     | 270   | 13.2K | 15K  | 56.6  | 13%*  |
| 3     | 330   | 16.2K | 15K  | 46.0  | 8%*   |
| 4     | 390   | 19K   | 20K  | 51.3  | 2.6%  |
| 5     | 470   | 23K   | 24K  | 51.0  | 2%    |
| 6     | 560   | 27.4K | 27K  | 48.0  | 4%    |
| 7     | 680   | 33.3K | 33K  | 49.5  | 1%    |
| 8     | 1000  | 49K   | 49K  | 49.0  | 2%    |
| 9     | 1.5K  | 73.5K | 75K  | 51.0  | 2%    |
| 10    | 1.8K  | 88K   | 82K  | 47.0  | 6%*   |
| 11    | 2.2K  | 108K  | 110K | 51.0  | 2%    |

\*Usually considered too much error.

Of these, the values in trial 7 are both easy to obtain and result in a gain of nearly 50. The resultant error is only -1%. So let  $R_1 = 680$  ohms and  $R_2 = 33K$ .

4. To compute the gain for  $A_2$ , we use the same procedure as in step 3.

| Trial | $R_3$ | $R_4$ | Use  | $A_v$ | Error |
|-------|-------|-------|------|-------|-------|
| 1     | 220   | 4.4K  | 4.7K | 21.4  | 7%    |
| 2     | 270   | 5.4K  | 5.6K | 20.7  | 3.5%  |
| 3     | 330   | 6.6K  | 6.8K | 20.6  | 3%    |
| 4     | 390   | 7.8K  | 8.2K | 21.0  | 5%    |
| 5     | 470   | 9.4K  | 9.1K | 19.4  | 2%    |
| 6     | 560   | 11.2K | 12 K | 21.0  | 7%    |
| 7     | 680   | 13.6K | 15 K | 22.0  | 10.5% |
| 8     | 820   | 16.4K | 15 K | 18.0  | 8.5%  |
| 9     | 1000  | 20 K  | 20 K | 20.0  | 0%    |

Clearly, trial 9 in this case is the best from the gain point of view, so let  $R_3 = 1000$  ohms and  $R_4 = 20K$ .

Amplifier  $A_3$  should have a nominal gain of unity, but we want to be able to trim out gain errors in amplifiers  $A_1$  and  $A_2$  caused by the use of standard resistor values. A good selection, considering the low errors of our choices, would be to let the gain of amplifier  $A_3$  vary over the range 0.9 to 1.1. If we let  $R_5 = 10K$  and  $R_6 = 9.1K$  (both are also standard values, but 9.1K can be made by paralleling 10K with 100K), then let  $R_7$  be a 2K ten-turn potentiometer, the gain of  $A_3$  will vary over the following range:

when  $R_7 = 2K$ ,

$$A_V = (R_6 + R_7)/R_5 \quad (4.44)$$

$$A_V = (9.1 + 2)/10 \quad (4.45)$$

$$A_V = 11.1/10 = 1.1 \quad (4.46)$$

when  $R_7 = 0$  ohms,

$$A_V = R_6/R_5 \quad (4.47)$$

$$A_V = 9.1/10 \quad (4.48)$$

$$A_V = 0.91 \quad (4.49)$$

Both of these limits are approximately correct, so we will use them. If the range of  $R_7$  proves insufficient change it to a 5K potentiometer.

The last two stages are both unity gain, with amplifier  $A_5$  providing position control and  $A_4$  the control over sensitivity. We want to be able to shift the output baseline  $\pm 4$  volts; this is accomplished by a potentiometer  $R_{11}$  and resistor  $R_{10}$ .

The output voltage due to  $R_{11}$  must shift between  $\pm 4$  volts, and is equal to

$$E_{OUT} = E_A (R_{13}/R_{10}) \quad (4.50)$$

$E_A$  will vary between  $V_{CC}$  (+12 volts) and  $V_{EE}$  (-12 volts), and  $R_{13}$  will be set to 10K. Find the value of  $R_{10}$ .

$$E_{OUT} = E_A (10K/R_{10}) \quad (4.51)$$

$$R_{10} = E_A (10K)/E_{OUT} \quad (4.52)$$



$$R_{10} = (12)(10K)/4 \quad (4.53)$$

$$R_{10} = 30K \quad (4.54)$$

This is a standard value, but is sometimes a little hard to find (not all standard values are stocked). If a 27K resistor is used instead:

$$E_{OUT} = (12V)(10K)/(27K) \quad (4.55)$$

$$E_{OUT} = \pm 4.4V$$

which should present no problems in this application.

Provision for offset nulling and sensitivity control are made in amplifier  $A_4$ . It is always good practice to null the cumulative effects of the offsets prior to the sensitivity control. Otherwise, the baseline will shift an amount approximately equal to the offset as the sensitivity control is varied through its range. The gain of  $A_4$  is:

when  $R_9 = 10K$ ,

$$A_V = R_9/R_8 = 10K/10K = 1 \quad (4.56)$$

when  $R_9 = 0$  ohms,

$$A_V = R_9/R_8 = 0/10K = 0 \quad (4.57)$$

Adjust  $R_{14}$  incrementally until  $R_9$  can be run from zero to full value with no DC shift in the output voltage. This is essentially a DC balance control.

## DIFFERENTIAL AMPLIFIERS

A differential amplifier is a circuit that will deliver an amplified output voltage that is proportional to the difference between two ground-referenced input potentials,  $(E_1 - E_2)$ , known collectively as  $E_{IN}$ . The true differential amplifier will issue a zero output if the two input voltages are equal ( $E_1 = E_2$ ). Such voltages are known as common-mode potentials.

### Example 4-11

Design a differential amplifier with a gain of 100. The amplifier should be suitable for amplifying the output of a source that has a looking-back resistance of 200 ohms.

**Solution:**

1. Resistors  $R_1$  and  $R_2$  (in Fig. 4-9) must be equal, and should have a value that is not less than five or ten times the looking-back resistance of the source. In other words:

$$(5 \times 200) \quad (R_1 = R_2) \quad (10 \times 200) \quad (4.58)$$

$$1K \quad R_1, R_2 \quad 2K \quad (4.59)$$

Personally, I prefer the ten times rule, so let  $R_1 = R_2 = 2K$ . Note that this is a minimum resistance.

2. Calculate  $R_3$

$$R_3 = R_4 \quad (4.60)$$

$$100 = R_3/R_1 = R_4 \quad (4.61)$$

$$100 = R_3/2K = R_4 \quad (4.62)$$

$$200K = R_3 = R_4 \quad (4.63)$$

The values, then, for a gain of 100 are:

$$R_1 = 2K$$

$$R_2 = 2K$$

$$R_3 = 200K$$

$$R_4 = 200K$$

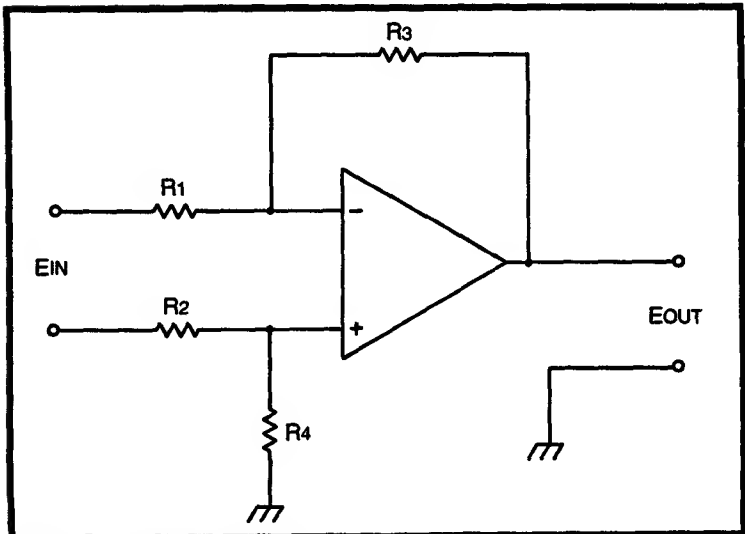


Fig. 4-9. DC differential amplifier.

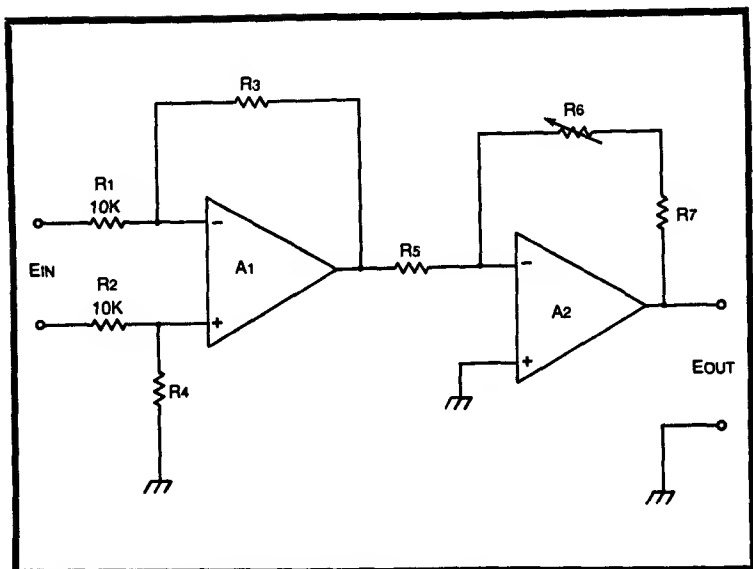


Fig. 4-10. Gain-of-256 differential amplifier.

### Example 4-12

Design a differential amplifier with an input impedance of 10K and a gain of 256.

#### Solution:

1. Since the gain is greater than 100, it is good practice to use at least two operational amplifier stages, or a single stage with a premium operational amplifier as the active element. See Fig. 4-10 for an example of a suitable two-stage circuit.
2. Find several reasonable factors of 256.

1.  $2 \times 128 = 256$
2.  $4 \times 64 = 256$
3.  $8 \times 32 = 256$
4.  $16 \times 16 = 256$

None of these factors are particularly exciting because they will not result in easy to obtain standard values of resistor, especially in amplifier  $A_1$ , where all of the values are fixed. Let us compromise, then, and modify factor 4 to  $15 \times 17$ . Furthermore, let us assign  $A_1$  a gain of 15 and  $A_2$  a gain of 17. Amplifier  $A_2$  is variable so gain errors can be easily trimmed out.

3. Let  $R_1 = 10\text{K}$ , and solve for  $R_3$  assuming that  $A_V = 15$  for  $A_1$ .

$$A_{V(A1)} = 15 = R_3/R_1 \quad (4.64)$$

$$15 = R_3/10\text{K} \quad (4.65)$$

$$(15)(10\text{K}) = R_3 \quad (4.66)$$

$$150\text{K} = R_3 \quad (4.67)$$

4. Pick a standard value for  $R_5$  and compute  $R_6 + R_7$  assuming that  $A_V$  is 17 for  $A_2$ . Arbitrarily set  $R_5 = 2.2\text{K}$ .

$$A_{V(A2)} = 17 = (R_6 + R_7)/R_5 \quad (4.68)$$

$$17 = (R_6 + R_7)/2.2\text{K} \quad (4.69)$$

$$(17)(2.2\text{K}) = R_6 + R_7 \quad (4.70)$$

$$37.4\text{K} = R_6 + R_7 \quad (4.71)$$

A good move at this point would be to specify that  $R_7$  be set to 33K, a common standard value, and that  $R_6$  be made a 10K ten-turn potentiometer. This would allow the series combination  $R_6 + R_7$  to vary over the range 33K to 43K. The values, then are:

$$R_1 = 10\text{K}$$

$$R_2 = 10\text{K}$$

$$R_3 = 150\text{K}$$

$$R_4 = 150\text{K}$$

$$R_5 = 2.2\text{K}$$

$$R_6 = 10\text{K ten-turn pot}$$

$$R_7 = 33\text{K}$$

### Example 4-13

Find the correct resistor values for an instrumentation amplifier with a gain of 500.

#### Solution:

1. Make some assumptions using Fig. 4-11.
  - a. Let  $R_1 = 1\text{K}$
  - b. Resistances  $R_2 = R_3$ ,  $R_4 = R_5$  and  $R_6 = R_7$ .
  - c. Resistances  $R_4$  and  $R_5$  will be between 1K and 10K.
  - d. The voltage gain of  $A_3$  will be approximately 10, while that of  $A_1$  and  $A_2$  will be 50.

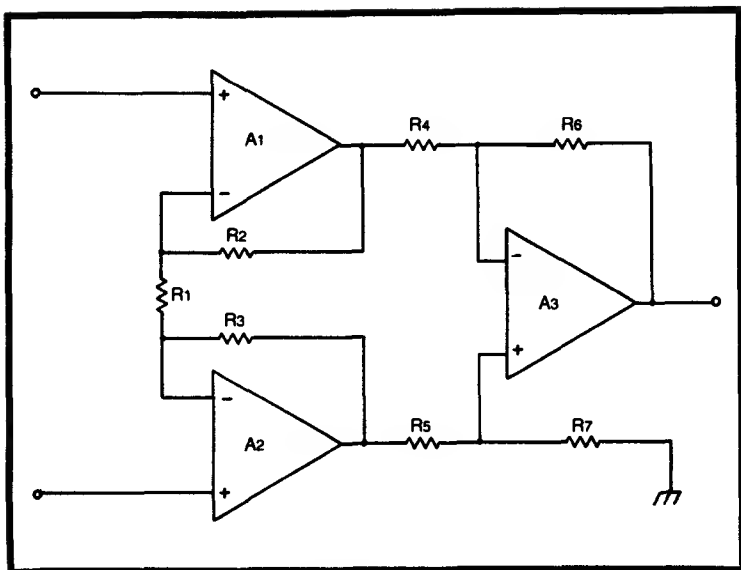


Fig. 4-11. Instrumentation amplifier.

2. Compute  $R_2$  and  $R_3$

$$A_{V(A1 + A2)} = 50 = (2R_2/R_1) + 1 \quad (4.72)$$

$$50 = (2R_2/1000) + 1 \quad (4.73)$$

$$49 = 2R_2/1000 \quad (4.74)$$

$$(49)(1000)/2 = R_2 \quad (4.75)$$

$$24.5\text{K (use 24K)} = R_2 \quad (4.76)$$

This results in a stage gain of:

$$A_{V(A1 + A2)} = (2R_2/R_1) + 1 \quad (4.77)$$

$$= [(2)(24)/(1)] + 1 \quad (4.78)$$

$$= 49 \quad (4.79)$$

We will want to try various combinations of resistors for amplifier  $A_3$  to find if any will yield a precise gain of  $500/49$ , or  $10.2$ , for  $A_3$ . Let  $R_7 = 10\text{K}$  (an arbitrarily selected starting point). Find the value for  $R_4$ .

$$10.2 = R_7/R_4 \quad (4.80)$$

$$R_4 = 10\text{K}/10.2 \quad (4.81)$$

$$R_4 = 980 \text{ ohms} \quad (4.82)$$

Since a 980-ohm resistor might be a little hard to obtain, let's try again let  $R_7 = 12\text{K}$ :

$$10.2 = R_7/R_4 \quad (4.83)$$

$$R_4 = 12\text{K}/10.2 \quad (4.84)$$

$$R_4 = 1.18\text{K} \quad (4.85)$$

This result comes pretty close to what is available, actually, since a 1.2K resistor is a standard value. If this value were used, then the gain of the overall instrumentation amplifier would be:

$$A_V = \left[ \frac{(2)(24)}{1} + 1 \right] \left( \frac{12}{1.2} \right) \quad (4.86)$$

$$A_V = 490 \quad (4.87)$$

For many applications this gain will suffice, being only 2% error. If precision is required, then make resistor  $R_1$  a series network consisting of an 860-ohm resistor and a 200-ohm ten-turn potentiometer. This network will work as a gain control.

#### Example 4-14

Consider the circuit in Fig. 4-12. What will it do?

#### Solution:

1. With switch  $S_1$  closed  $R_2$  forms a load for  $E_{\text{IN}}$  and  $R_4$  forms a load for  $E_{\text{OUT}}$ . They do not, therefore, affect the gain of the stage. We can conclude, then:

$$-I_1 = I_2 \quad (4.88)$$

$$\frac{-E_{\text{IN}}}{R_1} = \frac{E_{\text{OUT}}}{R_3} \quad (4.89)$$

Since  $A_V = E_{\text{OUT}}/E_{\text{IN}}$  for any stage,

$$A_V = -R_3/R_1 \quad (4.90)$$

But  $R_1 = R_3$ , so

$$A_V = -1 \quad (4.91)$$

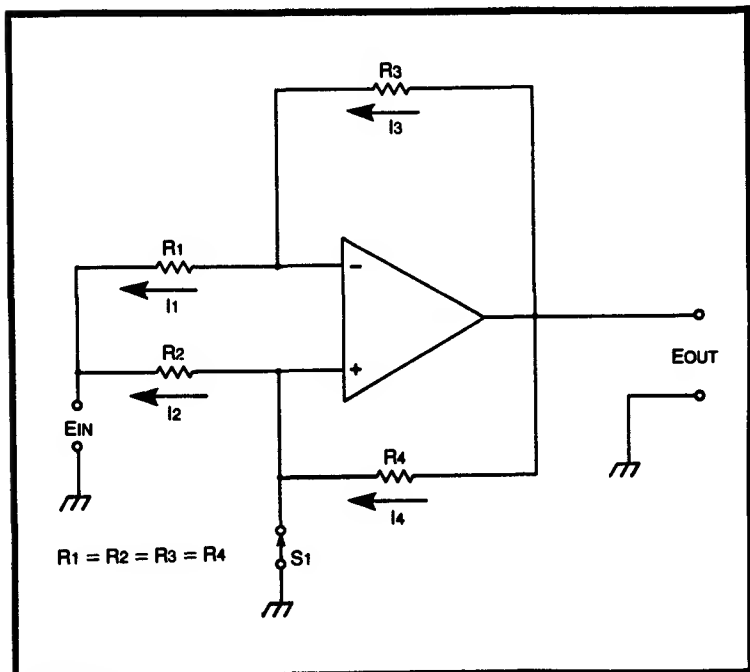


Fig. 4-12.  $\pm$  unity gain amplifier.

2. When switch  $S_1$  is open, on the other hand, we may conclude:

$$I_1 = I_2 \quad (4.92)$$

$$-I_1 = I_3 \quad (4.93)$$

$$I_2 = I_4 \quad (4.94)$$

Therefore,

$$I_1 = I_4 \quad (4.95)$$

$$I_1 = E_{IN}/R_1 \quad (4.96)$$

$$I_4 = E_{OUT}/R_4 \quad (4.97)$$

By substitution of Eq. 4.97 and 4.96 into Eq. 4.95:

$$E_{IN}/R_1 = E_{OUT}/R_4 \quad (4.98)$$

$$E_{OUT} = (E_{IN})(R_4)/R_1 \quad (4.99)$$

Solve for the voltage gain,

$$A_V = R_4/R_1 \quad (4.100)$$

But  $R_1 = R_4$ , so

$$A_V = +1 \quad (4.101)$$

The circuit in Fig. 4-12 is then a  $\pm$  unity follower. This type of circuit is very handy for inverting signals from their current polarity under switch control. If  $S_1$  is actually a solid-state switch that is driven by a TTL-type signal, this can be done automatically under control of a computer or other instrument.

### Example 4-15

Design a high-impedance voltmeter using a milliammeter with a range of 0 to 1 mA as the readout. The full-scale potential to be displayed will be 10 volts when the input voltage is 100 millivolts. Specify appropriate  $V_{CC}$  and  $V_{EE}$  minimums.

**Solution:**

1. Use an RCA CA3160 operational amplifier, or some equivalent, to meet the input impedance requirement of a voltmeter. This device has an input resistance of 1.5 teraohms ( $10^{12}$ ).
2. We require a 10-volt output. Note in the CA3160 spec sheet that the maximum output voltage can swing to +12 volts in the  $V_{CC}$  director and -15 volts in the  $V_{EE}$  director, at power supply potentials of  $\pm 15$  volts DC. This means that a 3-volt difference exists between the maximum allowable output and  $V_{CC}$ , and essentially no difference for  $V_{EE}$  and the maximum negative output. We can conclude, then, that the minimum  $V_{CC}$  potential is 13 volts and the minimum  $V_{EE}$  is -10.5 volts. For convenience, though, both are set to 15 volts.
3. Draw an appropriate circuit (see Fig. 4-13).
4. Find the ratio  $R_2/R_1$ .

$$E_{OUT}/E_{IN} = A_V = (R_2/R_1) + 1 \quad (4.102)$$

$$10/0.1 = (R_2/R_1) + 1 \quad (4.103)$$



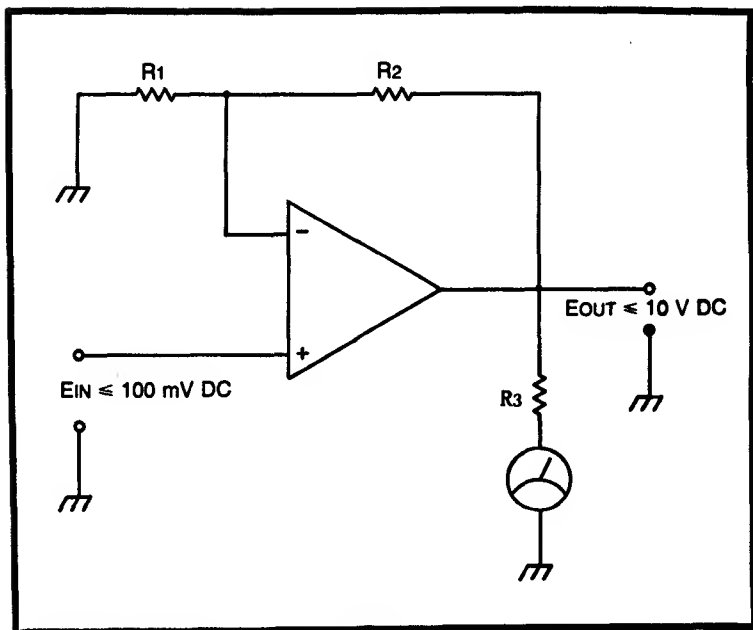


Fig. 4-13. High-impedance voltmeter.

$$100 = (R_2/R_1) + 1 \quad (4.104)$$

$$99 = R_2/R_1 \quad (4.105)$$

5. Test standard values to find a combination in which this ratio holds nearly true.

- a. Let  $R_2 = 100\text{K}$ .

$$R_1 = 100\text{K}/99 = 1.01\text{K} \quad (4.106)$$

- b. Let  $R_2 = 110\text{K}$ .

$$R_1 = 110\text{K}/99 = 1.11\text{K} \quad (4.107)$$

- c. Let  $R_2 = 120\text{K}$ .

$$R_1 = 120\text{K}/99 = 1.21\text{K} \quad (4.108)$$

Trial *c* is very nearly a standard value for  $R_1$ , so it is used.

## EXERCISES

### Problem 1

Compute the gain in each of the following cases. Assume that the amplifier is an inverting follower stage.

- a.  $R_F = 470K, R_{IN} = 56K$
- b.  $R_F = 1M, R_{IN} = 120K$
- c.  $R_F = 10K, R_{IN} = 2.2K$
- d.  $R_F = 5.6K, R_{IN} = 560 \text{ ohms}$
- e.  $R_F = 10K, R_{IN} = 10K$
- f.  $R_F = 10K, R_{IN} = 56K$

**Problem 2**

Find  $R_F$  and  $E_{IN}$  in Fig. 4-14.

**Problem 3**

In a noninverting follower we have the following values:  $R_F = 100K, R_{IN} = 2.2K$ , and  $E_{OUT} = +3.5$  volts DC. Assuming that there are no offset problems, what is the voltage applied to the input?

**Problem 4**

A noninverting follower has  $E_{IN} = 0.02$  volts,  $E_{OUT} = 1.25$  volts, and  $R_F = 68K$ . Find the actual value of  $R_{IN}$ .

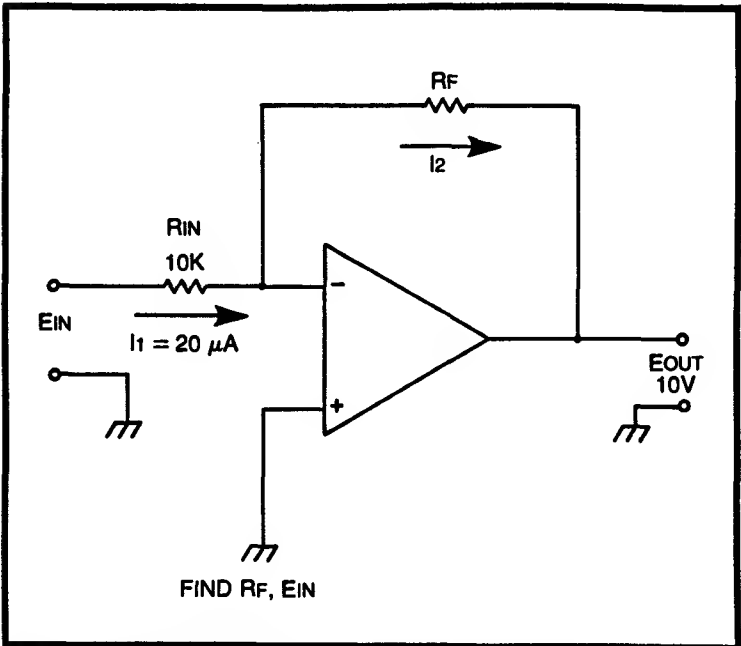


Fig. 4-14. Inverting follower. Find  $R_F$  and  $E_{IN}$  (see Problem 2).

## ANSWERS TO PROBLEMS

1.
  - a. 8.4
  - b. 8.3
  - c. 4.6
  - d. 10.0
  - e. 1.0
  - f. 0.2
2.  $R_F = 500\text{K}$ ,  $E_{IN} = 0.2$  volts or 200 mV.
3.  $E_{IN} = 75$  mV, or 0.075 volts
4.  $R_{IN} = 1,106$  ohms

## Chapter 5

# Signal-Processing Circuits

---

Rarely are signals obtained from transducers and electrodes suitable for direct processing in a computer or any other electronic instruments. Quite apart from the necessity of converting the signal to a digital form, we find that some amount of predigitizing processing is often both advisable and desirable. It is usually necessary in many cases to “launder” the signal in some sort of intermediate processing to bring it to a state where it is more useful. In the simplest, almost trivial, case this intermediate processing will consist only of amplification or scaling. In other cases, though, the intermediate processing will be a lot more involved.

There are two approaches to almost every signal-processing job, and these can be denoted as the hardware and software concepts. Proponents of the hardware approach often contend that it is best to build electronic circuitry to do these jobs external to the computer or other digital instrument. The software buffs, on the other hand, contend that suitable computer programs can do the job in a superior manner.

The truth actually falls somewhere between these two views in most cases, there being good reasons to support *both* broad concepts under different circumstances. Ordinarily, one would go for the hardware approach, be it digital or analog circuitry, where the computer’s memory is limited to a small amount, where time con-

straints exist, or in those cases where adding a modest hardware package is a lot easier than doing the job in software. In short, the word is trade-off; engineering jargon for compromise, albeit rational compromise.

Under the general rubric of signal-processing circuitry we will cover a number of predominantly operational amplifier circuits such as integrators, differentiators, logarithmic and antilog amplifiers, analog multipliers, and active filters.

## INTEGRATORS

A basic passive integrator circuit (see Fig. 5-1) consists of a resistor in series with the signal path, and a capacitor shunting the signal path on the output side of the resistor. You will see this circuit later in the chapter when the low-pass filter is discussed, so keep it in mind.

The active integrator circuit is shown in Fig. 5-1B. For the moment discount resistors  $R_2$  through  $R_6$ ; pretend for the moment that they do not exist. They are used to make the circuit actually work with real operational amplifiers. In the present discussion we will make the presumptuous condition that the operational amplifier is ideal.

Considering the ideal case, the integrator consists of the operational amplifier  $A_1$ , resistor  $R_1$ , and feedback capacitor  $C_1$ . From elementary capacitor theory we know that:

$$I_2 = C_1 \times \frac{d(E_{OUT})}{dt} \quad (5.1)$$

Rearranging Eq. 5.1 gives us:

$$\frac{d(E_{OUT})}{dt} = \frac{I_2}{C_1} \quad (5.2)$$

$$\int \frac{d(E_{OUT})}{dt} dt = \int \frac{I_2}{C_1} dt \quad (5.3)$$

$$E_{OUT} = \int \frac{I_2}{C_1} dt \quad (5.4)$$

$$E_{OUT} = \frac{1}{C_1} \int I_2 dt \quad (5.5)$$

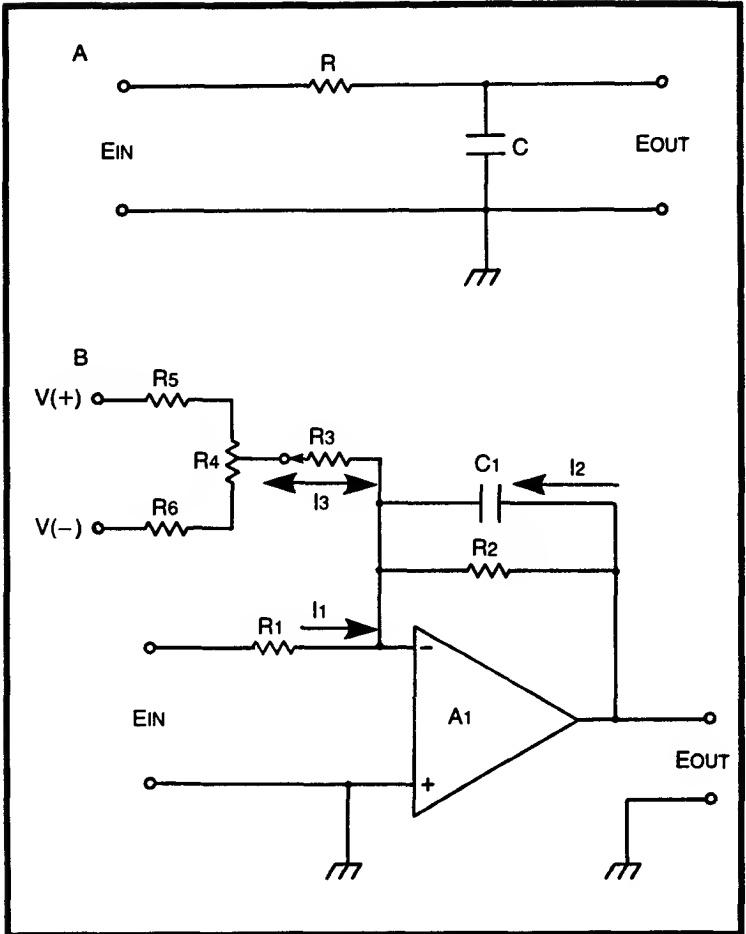


Fig. 5-1. Integrator circuits. (A) RC integrator. (B) Operational amplifier integrator.

But from the basic properties of the operational amplifier we know that

$$I_1 = -I_2 \quad (5.6)$$

and,

$$I_1 = E_{IN}/R_1 \quad (5.7)$$

So, substituting Eq. 5.7 into Eq. 5.6 gives us:

$$I_2 = E_{IN}/R_1 \quad (5.8)$$

And substituting Eq. 5.8 into Eq. 5.5 gives us the transfer equation for operational amplifier integrators:

$$E_{OUT} = \frac{1}{C_1} \int \frac{-E_{IN}}{R_1} dt + C \quad (5.9)$$

$$E_{OUT} = \frac{-1}{R_1 C_1} \int E_{IN} dt + C \quad (5.10)$$

Voltage  $E_{OUT}$  will change by the factor

$$\Delta E_{OUT} = \frac{-1 \text{ volt}}{R_1 C_1 \text{ sec}} \quad (5.11)$$

for each volt applied to the input.

Before going on to other topics, let us first examine Eq. 5.11 to see what type of performance is expected from ordinary operational amplifiers. Let us assume a case in which  $R_1 = 100\text{K}$ ,  $C_1 = 0.1 \mu\text{F}$ , and  $E_{IN} = 1$  volt. Further, assume that the maximum value of  $E_{OUT}$  allowed for the particular operational amplifier selected for  $A_1$  is  $\pm 12$  volts DC.

$$E_{OUT} = \frac{-E_{IN} \times \text{time(sec)}}{(10^5)(10^{-7})} \quad (5.12)$$

$$12 \text{ volts} = \frac{-1 \text{ volt} + \text{time (sec)}}{10^{-2}} \quad (5.13)$$

$$12 \text{ volts} = -100 \text{ volts} \times \text{time (sec)} \quad (5.14)$$

$$(12 \text{ volts})/(-100 \text{ volts}) \times \text{time (sec)} \quad (5.15)$$

$$0.12 \text{ seconds} = \text{time for } A_1 \text{ to saturate} \quad (5.16)$$

Next, let us see what happens if  $C_1$  is changed to  $0.001 \mu\text{F}$ .

$$E_{\text{OUT}} = \frac{-E_{\text{IN}} \times \text{time (sec)}}{(10^5)(10^{-9})} \quad (5.17)$$

$$(12 \text{ volts})/(10^4) = \text{time (sec)} \quad (5.18)$$

$$1.2 \text{ milliseconds} = \text{time to saturate } A_1 \quad (5.19)$$

The lesson in this comparison is to mind carefully the values of  $R_1$  and  $C_1$ , relative to the expected integration time. Consider integrating a signal with a frequency of 1 kHz. The period of this signal is of the same order as the time to saturate the operational amplifier in our second example. The general rule to follow is that integrator time constant should be long compared with the period of the applied signal.

Figure 5-2 shows the effect of the integrator on different types of input waveform. In each case the top waveform is the input to a circuit such as Fig. 5-1A, and the bottom trace is the output. Figure 5-2A shows the effect on a sine wave, namely phase shift. Recall from elementary calculus that this is the proper behavior when the waveform is a sine or, alternatively, a cosine. Each integrator stage produces a quadrature phase change in the applied signal.

Before leaving the subject of active integrators let us explain the purpose of resistors  $R_2$  through  $R_6$ , which had been deleted from our basic-theory-of-operation discussion. These components are required to overcome some defects found in real, as opposed to ideal, circuits. There is inevitably an offset associated with all operational amplifiers. Even premium-grade devices suffer from these problems. The output artifact created by these errors tends to charge the feedback capacitor. In experiments performed on several operational amplifiers, varying in quality from the 741 to a \$10 premium type, it was found that the output would rise at a constant rate until the amplifier was saturated—hardly useful in real circuits.



An offset null circuit (resistors  $R_3$ ,  $R_4$ ,  $R_5$ , and  $R_6$ ) is used to eliminate these problems. A counter current is created to discharge the capacitor at precisely the same rate as it is charged by the error current, thereby creating a null or equilibrium condition.

In most cases the use of an operational amplifier with a MOS-FET input stage, and the high resolution null circuit shown will completely eliminate the problem.

Resistor  $R_2$  shunted across the integration capacitor is used to drain any accumulated charge due to unregenerate DC offsets appearing on a dynamic input waveform. Resistor  $R_2$  will typically have a value over 1 megohm, and a good rule of thumb is to use as high a value as will do the job in any particular case. The symptom created, should this resistor be actually needed, can be easily seen on an oscilloscope or strip-chart recorder connected to the output. If the baseline remains stable when the input voltage is zero, yet climbs off the screen when a dynamic (i.e., nonconstant) waveform such as sine, triangle, or square wave is applied, then resistor  $R_2$  is needed, or has too high a value. Note that this assumes that the DC offset in the applied waveform is an artifact; if it is part of the information contained in the waveform, then we want it to be integrated.

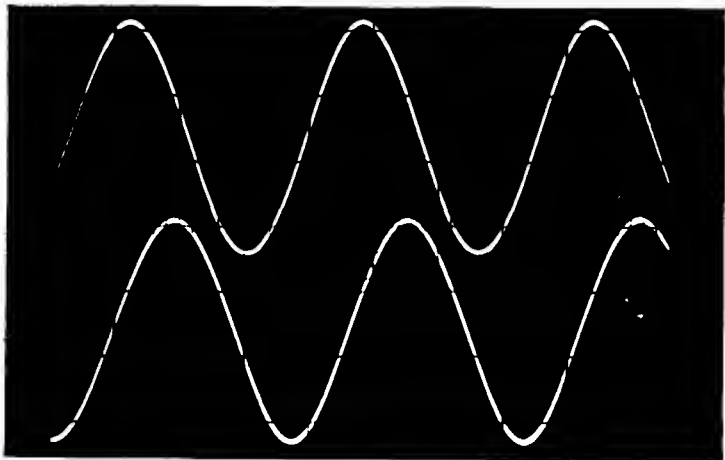
## DIFFERENTIATORS

An electronic differentiator can be made by rearranging the components of the integrator, a fact that one might suspect from the respective similar natures between the mathematical processes alluded to in their namesakes from the paper world. Figure 5-3A shows a simple  $RC$  differentiator, while Fig. 5-3B is an active operational amplifier differentiator.

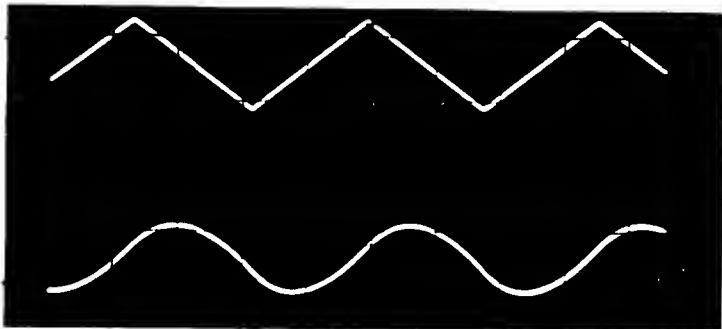
Again, we will initially discount the components needed to bring the differentiator from the ideal world to the real. For the present let us consider only  $R_1$ ,  $C_1$ , and the operational amplifier. In the circuit of Fig. 5-3B we know that:

$$I_2 = -I_1 \quad (5.19)$$

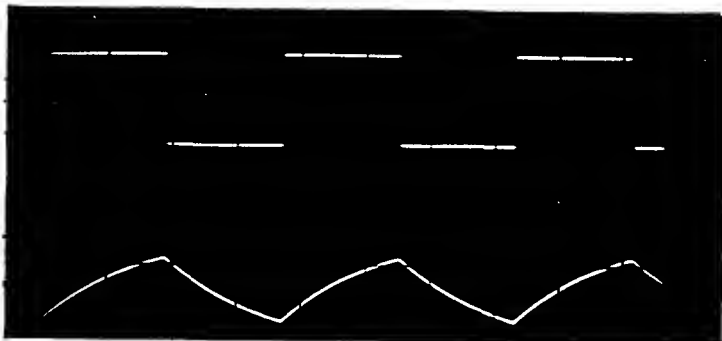
$$I_1 = \frac{d(E_{IN})}{dt} \times C_1 \quad (5.20)$$



A



B



C

Fig. 5-2. Effect of integration. (A) On a sine-wave. (B) On a triangular wave. (C) On a square wave.

$$I_2 = \frac{d(E_{OUT})}{dt} \quad (5.21)$$

We can obtain the transfer equation for the circuit by substituting Eqs. 5.20 and 5.21 into Eq. 5.19:

$$\frac{E_{OUT}}{R_1} = \frac{-C d(E_{IN})}{dt} \quad (5.22)$$

$$E_{OUT} = \frac{-C_1 R_1 d(E_{IN})}{dt} \quad (5.23)$$

Equation 5.23 is the transfer equation for Fig. 5-3B.

Let us consider now the effects of the  $RC$  time constant ( $R_1 C_1$ ) on the gain of the circuit. Using the same parameter as for the integrator case presented earlier, set  $R_1 = 100K$  and  $C_1 = 0.1 \mu F$ :

$$A_V = R_1 C_1 \quad (5.24)$$

$$A_V = (10^5)(10^{-7}) \quad (5.25)$$

$$A_V = 10^{-2} \quad (5.26)$$

$$A_V = 0.01 \quad (5.27)$$

Next set  $R_1 = 100K$  and  $C_1 = 0.001 \mu F$ .

$$A_V = R_1 C_1 \quad (5.28)$$

$$A_V = (10^5)(10^{-9}) \quad (5.29)$$

$$A_V = (1)(10^{-4}) \quad (5.30)$$

$$A_V = 0.0001 \quad (5.31)$$

The rule for applying differentiators is to set the time constant to approximately 10% of the period of the applied signal, or less. Figure 5-4 shows the effects of electronic differentiation on various types of input waveform. It sometimes happens that the period used to set the differentiator time constants is not the actual waveform period, but that of the leading or trailing edges, or some other significant portion of the waveform. Consider Fig. 5-4B, for example. If the duration of a waveform is very long compared with the rise and fall times of its edges, and we want to differentiate the edges of the square wave, then it is necessary to set the time constant of the circuit relative to the rise time. This was done to make Fig. 5-4B.

A square wave applied to the input produces sharp spikes at the leading and trailing edges. Notice that these are the only times when the amplitude of the input signal was not a constant. A constant amplitude applied to the input of any differentiator will produce zero output. A positive spike is created on the leading edge, and a

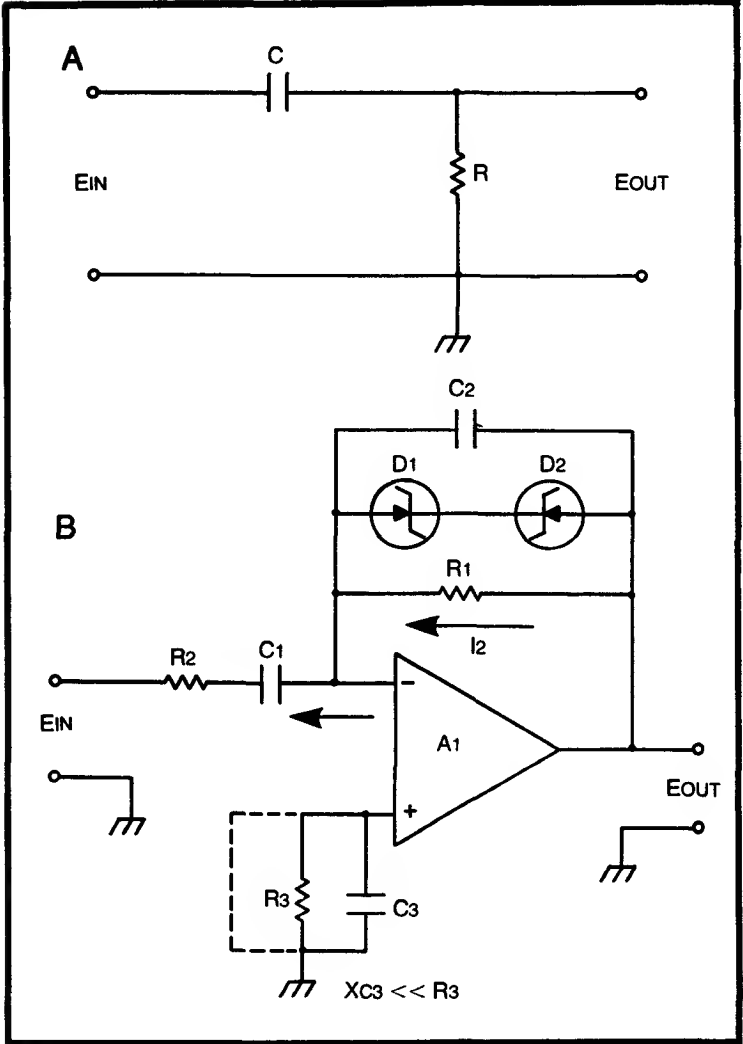


Fig. 5-3. Differentiation circuits. (A) RC differentiator. (B) Operational amplifier differentiator.

negative spike on the trailing edge, as befits the fact that one has a positive derivative and the other a negative derivative. Note that, if Fig. 5-3B had been used to make the oscilloscope photos, the spikes would have been inverted by the operational amplifier.

Figure 5-4C shows the effect of a properly selected time constant of differentiation on a triangle wave. The leading and trailing edges of a triangle waveform have constant but opposite slopes, that is to say that the rate of change (derivative) is constant. This shows up in Fig. 5-4C as a square wave at the output of the differentiator. Notice that the square wave is positive on the rising (leading) edge, and negative on the falling (trailing) edge.

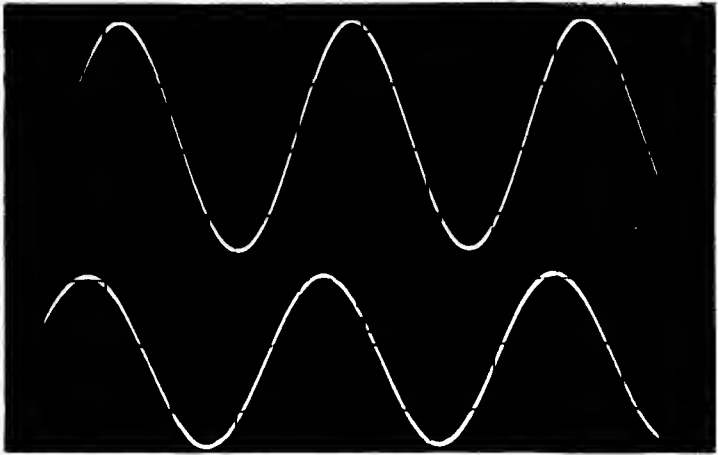
A differentiator can be calibrated using a ramp or triangle if you know the slope in volts/second; something that can be determined from an examination of the waveform on a calibrated oscilloscope. If, for example, the upper waveform in Fig. 5-4C was a 500-hertz triangle it has a period of 2 milliseconds. It will reach the 1-volt peak amplitude in 1 millisecond. The slope, then, is:

$$\frac{1 \text{ volt}}{1 \text{ msec}} \times \frac{1000 \text{ msec}}{1 \text{ sec}} = 1000 \text{ volts/sec} \quad (5.32)$$

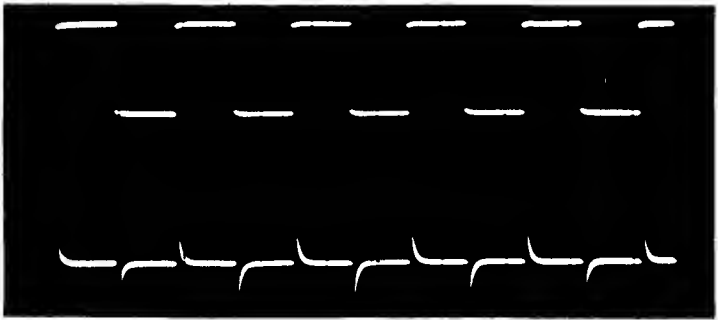
We now know that the amplitude of the square wave in the lower trace of Fig. 5-4C represents a derivative of 1000 volts/second. Of course, this calibration is only useful if we are able to infer significance from the numbers. Suppose, for example, a fluid pressure instrument equipped with a differentiator was calibrated so that the  $dP/dt$  was 100 torr/second. We could then find the rate of change of the applied pressure by examining the amplitude of the differentiator output signal.

The differentiator that contains only  $R_1$ ,  $C_1$ , and the operational amplifier is a problem waiting to occur. Keep in mind that this is a high-frequency feedback circuit, so several anomalies are likely to exist, and they will cause problems.

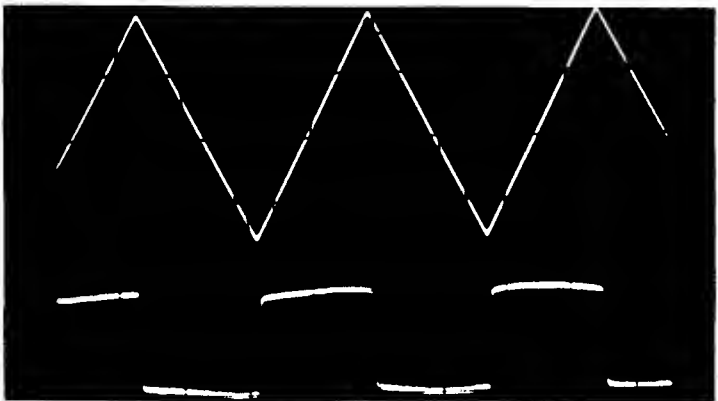
Figure 5-5 shows the frequency response plot for the operational amplifier differentiator of Fig. 5-3B. A feedback amplifier is usually regarded as unstable if the feedback transfer plot intersects



A



B



C

Fig. 5-4. Effect of differentiator. (A) On a sine wave. (B) On a square wave. (C) On a triangular wave.

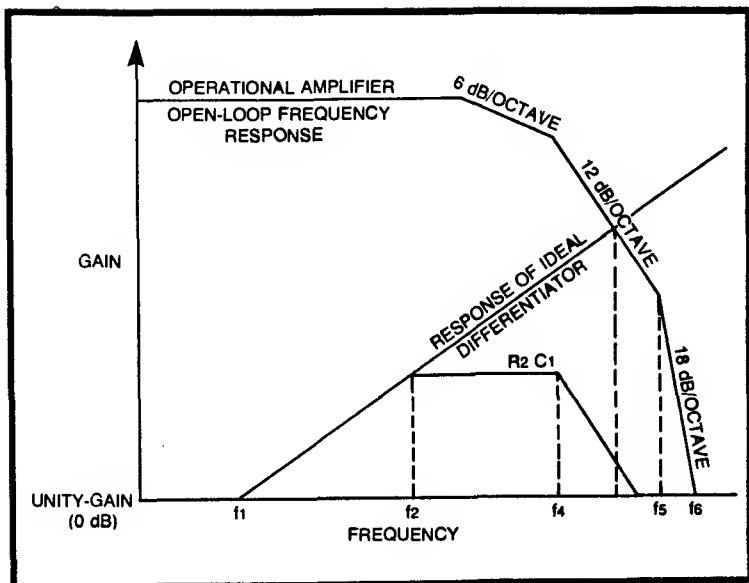


Fig. 5-5. Differentiator response plot.

the open-loop response plot in the wrong region. Ordinarily, we want the plot of the feedback curve to intersect the open-loop gain curve in the 6 dB/octave segment. In the case of the differentiator, the plot of the  $RC$  network has a rising characteristic with frequency and intersects the open-loop response curve in the 12 dB/octave region, making it potentially unstable. By adding resistor  $R_2$ , however, we produce a falling response characteristic to counter the curve of the feedback network. This resistor should have a value such that

$$R_2 = 0.503/f_3 C_1 \quad (5.33)$$

although in many practical cases a nominal value between 33 ohms and 150 ohms is used. This forces the plot of the  $RC$  network to effectively intersect with the open-loop response curve below the unity-gain crossover point.

Capacitor  $C_2$  forces the gain plot of the circuit to have a steeper slope. This capacitor usually has a value in the 10 pF to 560 pF range, and the rule of thumb for its selection is:

$$C_2 = 1/2\pi f_4 R_1 \quad (5.34)$$

Resistor  $R_3$  is used just like the compensation resistor from the inverting follower circuit; it reduces the effect of the operational amplifier's input bias current on capacitor  $C_1$ . If used, the resistor may require a parallel bypass capacitor. Normally, if  $R_3$  is less than about 10K, no bypassing is required. The reactance of  $C_3$  at frequency  $f_1$  should be about one-tenth of the value of  $R_3$ . The purpose of  $C_3$  is to bypass the normal thermal noise potentials generated in  $R_3$ .

A pair of back-to-back zener diodes ( $D_1$  and  $D_2$ ) are shunted across resistor  $R_1$  to limit the output excursions, and to prevent latchup of the operational amplifier.

## COMPARATORS

A comparator (see Fig. 5-6A) is an operational amplifier that snaps to maximum output voltage when the differential input voltage ( $E_1 + E_2$ ) exceeds a very small amount. The gain of the comparator is essentially the open-loop gain of the operational amplifier used, and that can be considerable. If this gain is 100,000 and the maximum allowable output voltage is 10 volts, the amplifier will saturate with an input voltage of

$$E_{IN} = E_{OUT}/A_V \quad (5.35)$$

$$E_{IN} = 10^1/10^5 \quad (5.36)$$

$$E_{IN} = 10^{-4} \text{ volts} = 0.1 \text{ mV} \quad (5.37)$$

The purpose of the comparator is to examine the input voltages (or if  $R_1$  and  $R_2$  are deleted, two currents) and issue an output logic level that indicates whether  $E_1 = E_2$ ,  $E_1$  is greater than  $E_2$ , or  $E_1$  is less than  $E_2$ . The transfer function for a comparator is shown in graphical form at Fig. 5-6B.

## LOGARITHMIC AMPLIFIERS

We very often find a need for converting an analog voltage function from a linear to logarithmic voltage. The base-emitter voltage ( $V_{BE}$ ) characteristic of an ordinary transistor follows the relationship:

$$V_{BE} = (kT/q)\ln(I_C/I_S) \quad (5.38)$$



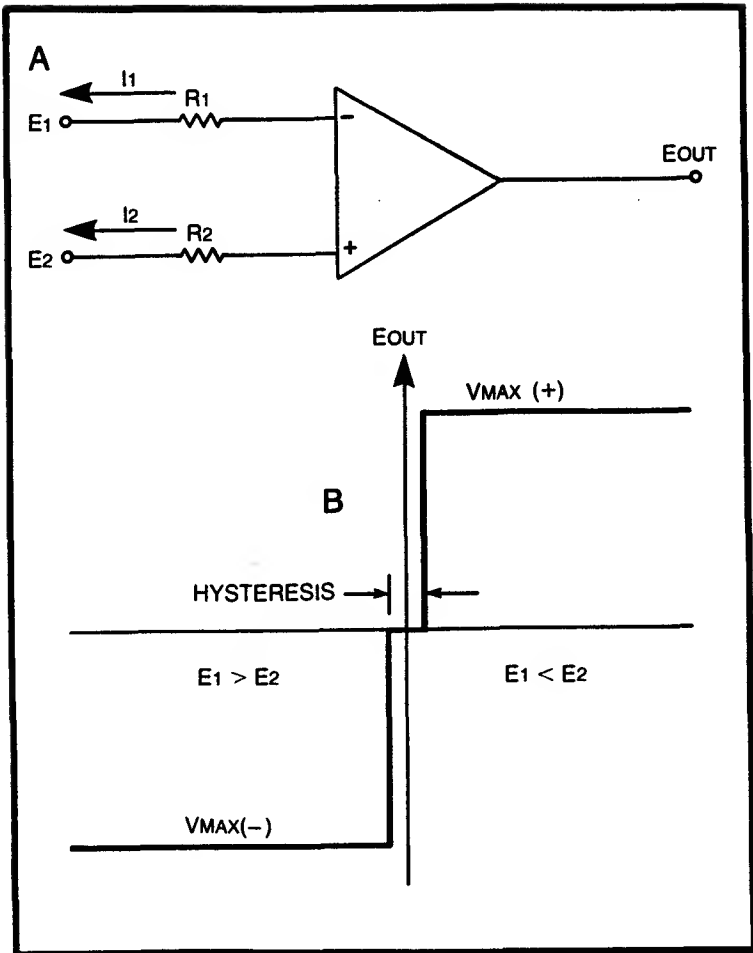


Fig. 5-6. Comparator. (A) Circuit diagram. (B) Transfer function.

where  $k$  is Boltzmann's constant ( $1.38 \times 10^{-23}$  J/°K),  $T$  is the absolute temperature in degrees kelvin (°K),  $q$  is the elementary electronic charge ( $1.6 \times 10^{-19}$  coulombs),  $I_s$  is the theoretical reverse saturation current of  $10^{-13}$  amperes, and  $I_c$  is the collector current.

At room temperature, normally taken to be about 300°K, Eq. 5.38 reduces to:

$$V_{BE} \approx (26 \text{ mV}) \ln (I_c/10^{13}) \quad (5.39)$$

But note that this term is strongly dependent upon temperature. In fact, this same relationship is used as a temperature transducer in an earlier chapter. It is necessary to either hold the temperature constant, or temperature compensate the circuit. An example is shown in Fig. 5-7.

The inverse circuit is shown in Fig. 5-8, and this circuit will deliver an output that is the antilog of the input voltage. We very often see the logarithmic/antilog circuits used in a signal compression/expansion system to increase the dynamic range of an instrument. The linear input voltage is compressed by the logarithmic amplifier, is processed by additional circuitry, and is then expanded back to the linear realm by the antilog amplifier.

### MULTIPLIERS & DIVIDERS

There are certain analog electronic circuits that will produce an output that is proportional to the product or quotient of two input voltages. Although some designers use discrete component circuits to perform these functions, and some use operational amplifier

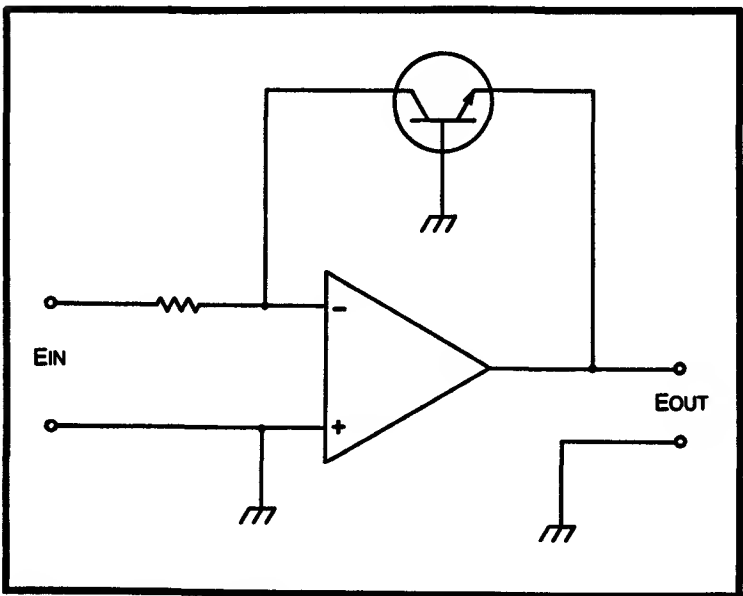


Fig. 5-7. Logarithmic amplifier.

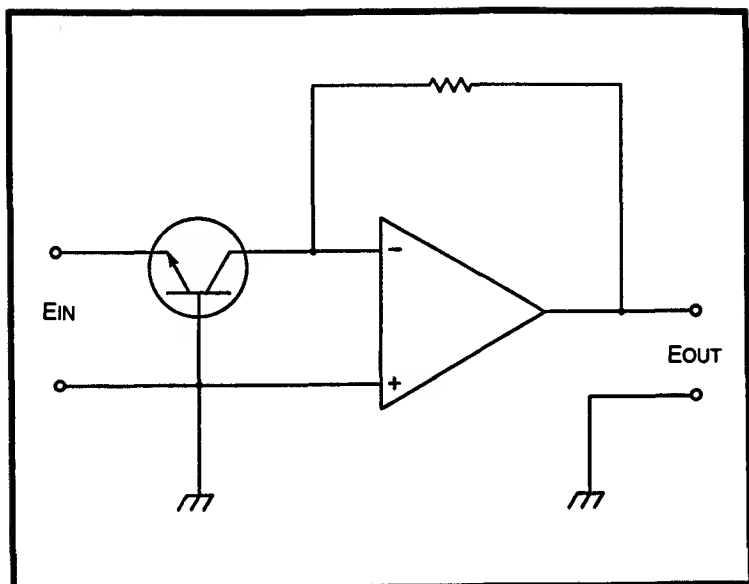


Fig. 5-8. Antilog amplifier.

circuits, it is usually cheaper and more accurate to use a monolithic integrated circuit multiplier, or a multiplier made into the form of an analog function module. Analog Devices, RCA, Motorola, Burr-Brown, and others manufacture products that obey the transfer function

$$E_{OUT} = kV_1(V_2/V_3)^m \quad (5.40)$$

where  $m$  can be any number between 0.2 and 5.

Although somewhat more expensive than integrated circuit multipliers, these modules are extremely flexible in that an external resistor network, or strapping certain pins, allows the various specific transfer functions. In Chapter 7 we will discuss the Burr-Brown version of this product class in more detail.

## ACTIVE FILTERS

A filter is a circuit that passes frequencies within its bandpass and rejects all others. Although the topic of filters is among the most complicated in the field, we will distill the subject down to a few basic fundamentals.

Figure 5-9 shows the frequency response characteristics of five types which we will consider: low-pass, high-pass, bandpass, sharp-bandpass or peaking, and band-reject or notch filters.

A low-pass filter, whose trace is shown in Fig. 5-9A, passes signals from DC to some cutoff frequency  $f_{co}$ . At frequencies greater than the cutoff frequency the response falls off at a given rate until it is essentially zero. The low-pass filter is eminently useful for removing high-frequency noise and other artifacts from an analog signal, or for the prevention of aliasing in A/D converters, and to smooth out the quantization ripple in the output of D/A converters.

The high-pass filter response is shown in Fig. 5-9B, and it has exactly the opposite shape as the low-pass filter of the previous example. This type of filter will pass frequencies *above* the cutoff frequency, and reject those from DC to the cutoff frequency. The response below the cutoff frequency falls off at a given rate until it is essentially zero.

Operational amplifier integrators will perform the function of low-pass filtering, and an operational amplifier differentiator can serve as a high-pass filter. The rolloff above the cutoff frequency, though, is only 6 dB/octave (20 dB/decade), so the filter action is not optimum.

A bandpass filter (see Fig. 5-9C) is designed to pass only a certain range of frequencies between upper and lower limits. A special case of the bandpass filter circuit is the peaking amplifier which has a response such as shown in Fig. 5-9D. The principal difference between two filters with these respective properties is expressed by their  $Q$  figures—figure of merit—which is given by:

$$Q = f_0 / (f_H - f_L) \quad (5.41)$$

where  $f_0$  is the center bandpass frequency,  $f_H$  is the upper cutoff frequency, and  $f_L$  is the lower cutoff frequency.

A more rigorous definition of  $Q$  depends upon the ratio of stored energy to the cyclically dissipated energy. Equation 5.41 and its attendant definitions assume the bandpass to be symmetrical, and that the rolloff slopes of the upper and lower cutoff frequencies be equal. For our present purposes, though, Eq. 5.41 is entirely suffi-

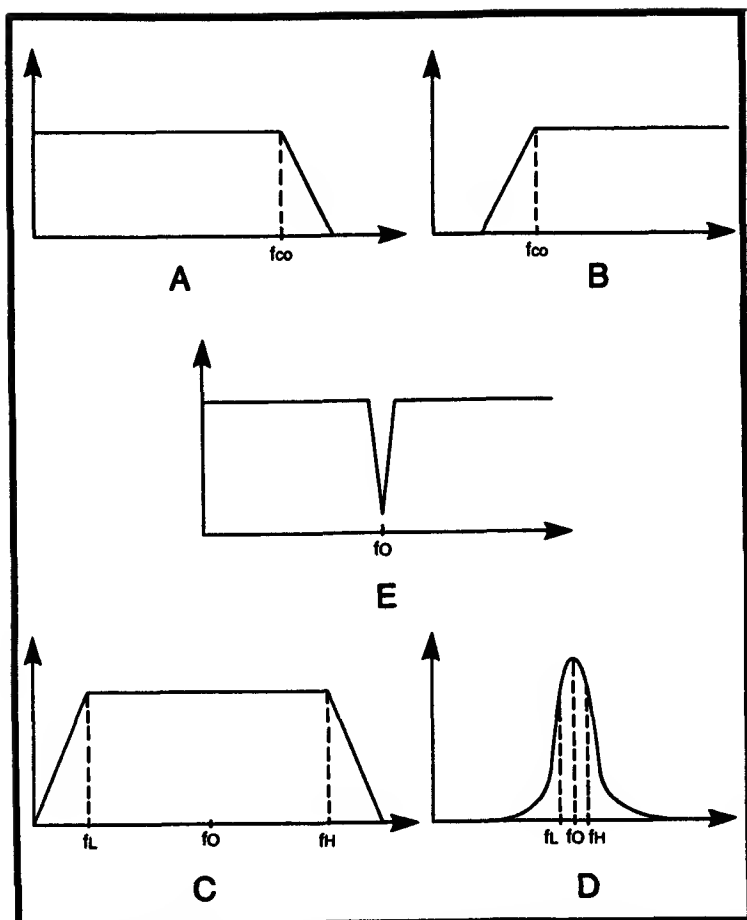


Fig. 5-9. Filter response curves. (A) Low-pass response. (B) Highpass response. (C) Bandpass response. (D) Narrow or sharp bandpass response. (E) Notch response.

cient and adequate. The curve in Fig. 5-9C shows a low- $Q$  characteristic, while that in Fig. 5-9D indicates a high- $Q$  characteristic.

The notch filter, also known as the band-reject filter if the notch is broad enough, passes all frequencies *except* those in the immediate neighborhood of a specific center frequency. The response curve of this type of filter is shown in Fig. 5-9E. This class of filter is used to null out or reject unwanted single-frequency artifacts, such as 60-hertz power mains interference, from a circuit.

Before proceeding further let us decide upon a convention so that our equations have at least some chance of working. Note that we are not being rigorous here, and it is suggested that those desiring rigor sign up for an engineering mathematical analysis course, then follow up with a few electrical engineering courses so that a few of the professional journal papers on active filters can be read.

Figure 5-10 shows a bandpass amplifier response that is perfectly symmetrical about center frequency  $f_0$ . The cutoff frequencies occur at the half-power points, signified by point  $E_1$  on the graph. Although referred to as a power point, this is usually specified in terms of easier to measure voltage units. The derivation of this notion depends upon the fact that power is expressed by  $E^2/R$ . At center frequency  $f_0$  power is given by:

$$P = E_0^2/R \quad (5.42)$$

At  $f_H$  or  $f_L$ (again assuming symmetry) the power is given by:

$$P = \frac{1}{2}(E_0)^2/R = E_1^2/R \quad (5.43)$$

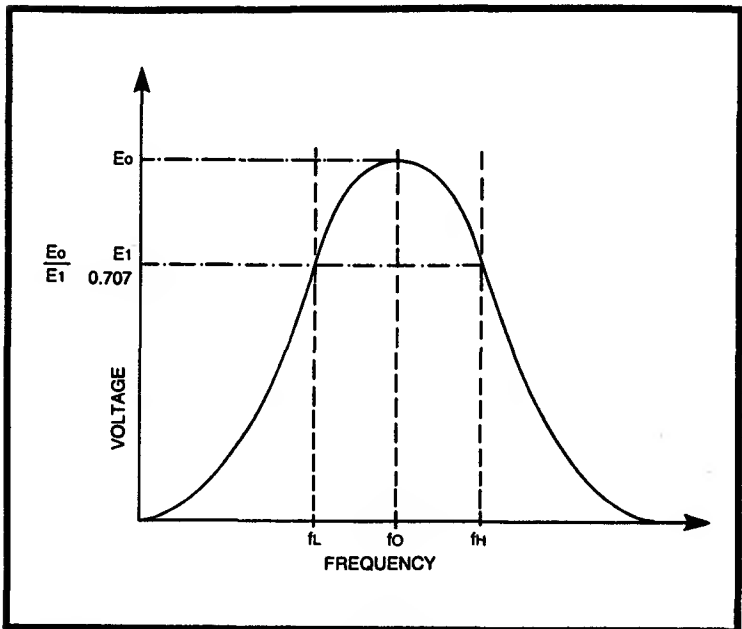


Fig. 5-10. Perfectly symmetrical bandpass response curve.

so,

$$\frac{E_o^2}{2R} = \frac{E_i^2}{R} \quad (5.44)$$

From which we can deduce:

$$E_o^2 / 2 = E_i^2 \quad (5.45)$$

$$E_o^2 / E_i^2 = 2 \quad (5.46)$$

$$E_o / E_i = 2^{1/2} = 1.414 \quad (5.47)$$

By Eq. 5.47, then, we see that

$$E_i = 0.707E_o \quad (5.48)$$

## PASSIVE FILTERS

Simple *RC* integrators and differentiators can be used to make simple filters of modest performance. I have used these circuits on innumerable occasions to eliminate interference in electronic instrumentation circuits. Although the example chosen (Fig. 5-11) uses the low-pass case for the sake of explanation, the presentation also applies for the high-pass case if you hold the book up to a mirror. The cutoff frequency of this filter is given by:

$$f_{co} = 1/2\pi R_1 C_1 \quad (5.49)$$

The circuit can be viewed as a voltage divider with the output taken across the reactance of capacitor  $C_1$ . We can claim, then, that the output voltage will reflect the inverse dependence upon frequency normally exhibited by a capacitive reactance. The percentage of the input signal voltage that is delivered to the output decreases as the frequency increases. The rolloff curve for a single section *RC* filter such as Fig. 5-11 is 6 dB/octave or 20 dB/decade.

Greater rolloff factors can be obtained by cascading filter sections, but one is warned that this will greatly attenuate the bandpass signal also unless certain steps are taken. Each section adds 6 dB/octave to the rolloff slope. A two-section filter, then, rolls off at 12 dB/octave, and a three-section filter rolls off at 18 dB/octave.

Passive *RC* filter sections are affected a great deal by the load resistance across their output terminals, and this is the reason why

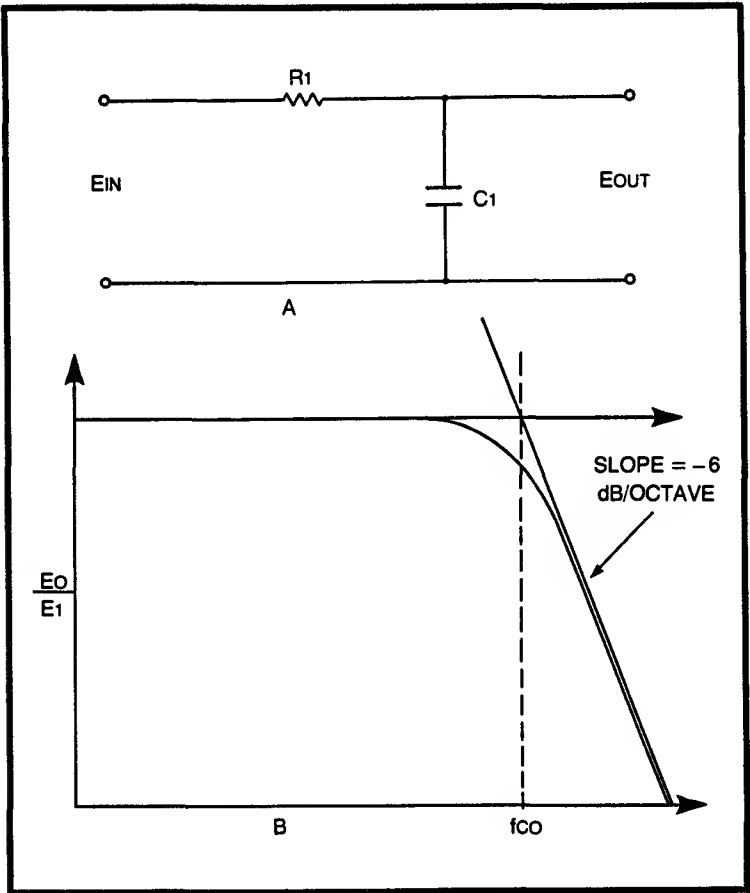


Fig. 5-11. Passive low-pass filter. (A) Circuit. (B) Response Curve.

cascaded sections attenuate the bandpass signal (too much) as well as the stop band signal.

One solution is to buffer each  $RC$  section with a unity-gain, noninverting operational amplifier follower. The source impedance seen by each filter section input terminal will be low (i.e., an operational amplifier output impedance), and the load impedance across the capacitor is very high (i.e., the input impedance of a noninverting follower). Any attenuation in the circuit that falls within the bandpass can be made up using a gain follower at the output of the cascade chain or prior to the input.



## A BETTER SOLUTION

The method outlined above is a sloppy way to obtain high-order filtering, and there exist certain techniques for obtaining the required rolloff properties without all of those extra stages: the so-called active filter.

In order to avoid becoming too rigorous we will first evade the issue of defining the term "order" except that we will say order denotes the slope of the response rolloff beyond the  $f_{co}$  point and that, in general, a first-order rolloff is 6 dB/octave, second-order rolloff is 12 dB/octave, and third-order rolloff is 18 dB/octave.

Also avoided are the various *types* of active filter response curve. For our discussion we will limit the filter category initially to unity-gain, maximally flat bandpass, second-order types.

An assumption made in this treatment is that  $Q = 2^{1/2}/2$ , and that certain resistance and capacitor ratios are maintained. These will be specified for each case as it arises.

The general form for these circuits is shown in Fig. 5-12A. It consists of an operational amplifier connected in a unity-gain configuration and an input network consisting of several impedances.

The amplifier selected for  $A_1$  should be a premium-grade device if an attempt at high performance is made, but an ordinary 741-type operational amplifier will often suffice for most lower performance applications. Good choices are the LF156 series, and the RCA CA3130, CA3140, and CA3160 devices. The idea is to obtain a wide frequency response, and as high an input impedance as possible.

The impedances shown in Fig. 5-12A will be either resistances or capacitive reactances depending upon whether low-pass, high-pass, or bandpass configurations are selected. The values of these components will be critical to proper performance, so either precision types or hand-selected components are required. These filters have a rolloff slope of 12 dB/octave.

The low-pass active filter configuration is shown in Fig. 5-12B. In this case  $Z_1$  and  $Z_2$  are resistances, while  $Z_3$  and  $Z_4$  are capacitances. It is specified that:

$$C_2 = 2C_1 \quad (5.50)$$

$$R_1 = R_2 \quad (5.51)$$

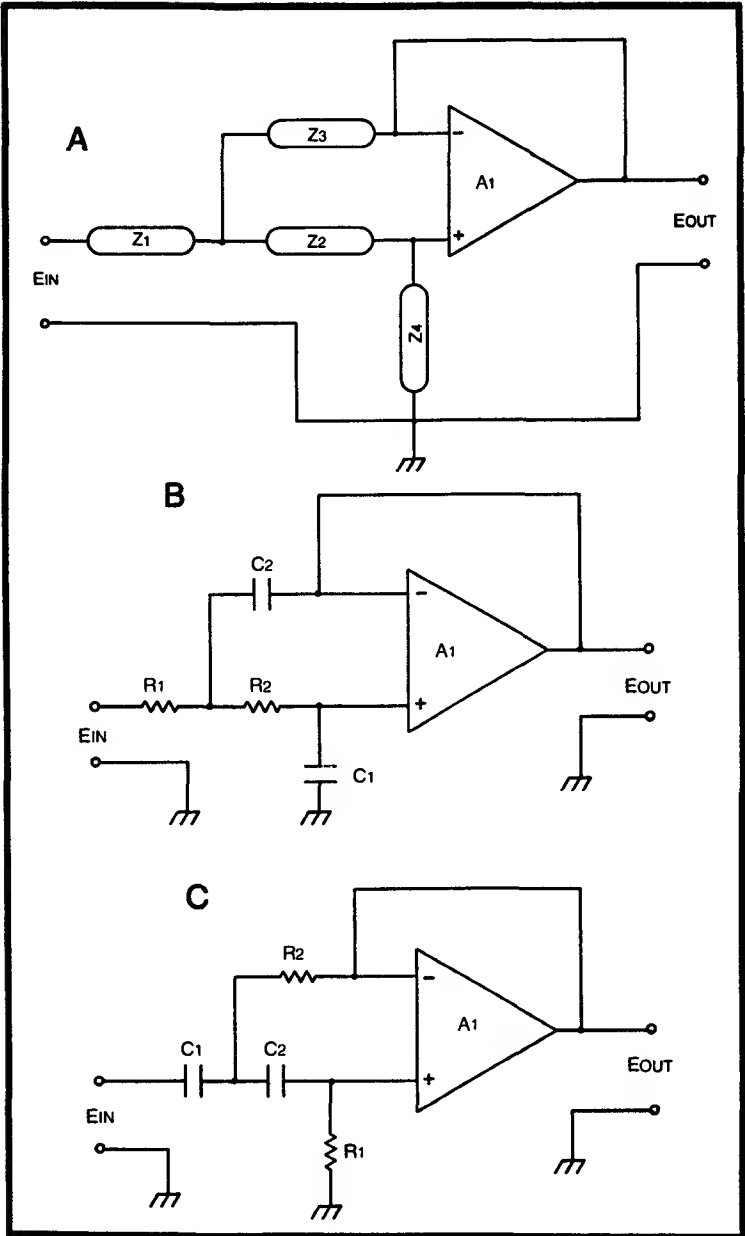


Fig. 5-12. Active filter. (A) General circuit. (B) Low-pass circuit. (C) High-pass circuit.

If these specifications are met, then the cutoff frequency is given by

$$f_{co} = \frac{1}{2\pi R_2 (C_1 C_2)^{1/2}} \quad (5.52)$$

where  $C_1$  and  $C_2$  are expressed in farads,  $R_2$  is in ohms, and  $f_{co}$  is in hertz.

### Example 5-1

Find the component values required of a 1 kHz low-pass filter in which  $C_1 = 0.001 \mu\text{F}$ .

**Solution:**

1. Since  $C_2 = 2C_1$ , capacitor  $C_2$  will be  $0.002 \mu\text{F}$ .
2. Solve Eq. 5-52 for  $R_2$  assuming that  $C_1 = 0.001 \mu\text{F}$ ,  $C_2 = 0.002 \mu\text{F}$ , and  $f_{co} = 1000$  hertz.

$$R_2 = \frac{1}{2\pi f_{co} (C_1 C_2)^{1/2}} \quad (5.53)$$

$$R_2 = \frac{1}{(2) (3.14) [(10^{-9}) (2 \times 10^{-9})]^{1/2}} \quad (5.54)$$

$$R_2 = 112.5\text{K} \quad (5.55)$$

3. Since  $R_1 = R_2$ , let  $R_1 = 112.5\text{K}$  also.

In the high-pass configuration we merely reverse the roles of impedances  $Z_1$  through  $Z_4$  making  $Z_1$  and  $Z_2$  capacitances, while  $Z_3$  and  $Z_4$  become resistances. The cutoff frequency is given by:

$$f_{co} = \frac{1}{2\pi C_1 (R_1 R_2)^{1/2}} \quad (5.56)$$

Assuming that

$$C_1 = C_2 \quad (5.57)$$

$$R_2 = R_1/2 \quad (5.58)$$

### Example 5-2

Find the component values required for a 1 kHz high-pass filter if  $R_1 = 220\text{K}$ .

**Solution:**

1.  $R_2 = R_1/2 = 220K/2 = 110K$ .
2. Solve Eq. 5.56 for  $C_1$ .

$$C_1 = \frac{1}{2\pi f c_0 (R_1 R_2)^{1/2}} \quad (5.59)$$

$$C_1 = \frac{1}{(2) (3.14) (10^3) [(1.1 \times 10^5) (2.2 \times 10^5)]} \quad (5.60)$$

$$C_1 = 1.02 \times 10^{-9} \text{ farads} \quad (5.61)$$

$$C_1 = 0.00102 \mu\text{F} = 1020 \text{ pF} \quad (5.62)$$

A bandpass filter can be made by cascading a low-pass stage with a high-pass stage. The cutoff frequency of the high-pass stage is set to the desired lower cutoff of the bandpass response, while the cutoff frequency of the low-pass section is set to the high-frequency cutoff point of the desired response. Once again, though, a superior solution exists in that we can use the bandpass version of the multiple feedback path filter circuit.

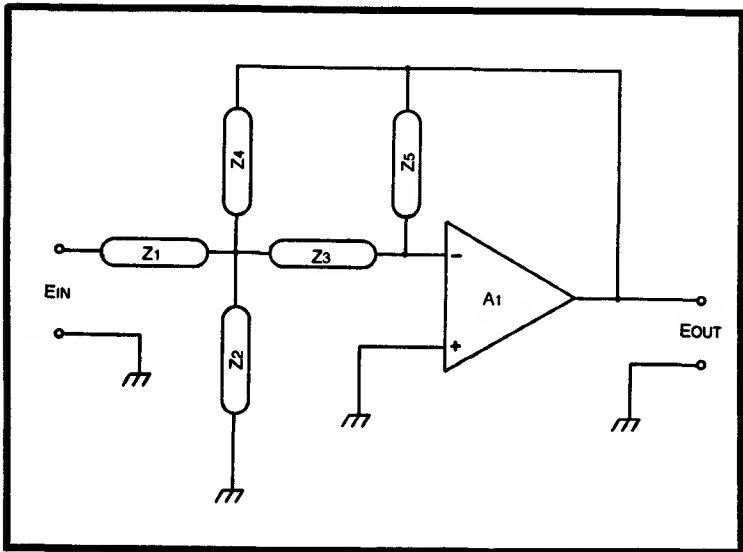


Fig. 5-13. General circuit for a multiple feedback path active filter.

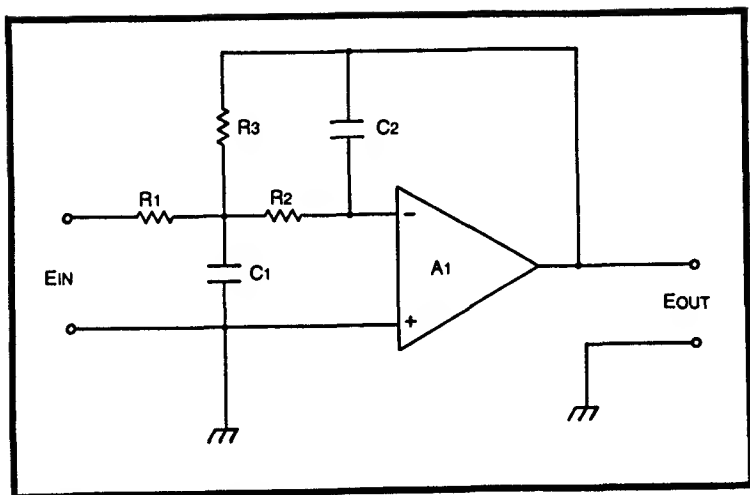


Fig. 5-14. Low-pass version of Fig. 5-13.

### MULTIPLE FEEDBACK PATH FILTERS

Figure 5-13 shows the general form for the multiple feedback path active filter circuit. This particular circuit is a little more difficult to tame than the simpler circuit of the preceding examples, but generally yields better results. The general transfer equation for the circuit of Fig. 5-13 is:

$$\frac{E_{OUT}}{E_{IN}} = \frac{1/(-Z_3 Z_5)}{(1/Z_5)(1/Z_1 + 1/Z_2 + 1/Z_3 + 1/Z_4) + (1/Z_3)(1/Z_4)} \quad (5.63)$$

provided that the open-loop gain of the operational amplifier is extremely high so that several  $1/A_{VB}$  (gain at bandpass frequencies) terms approach zero.

The low-pass version of this filter is shown in Fig. 5-14. Note that the impedances at  $Z_1$ ,  $Z_3$ , and  $Z_4$  have become resistances, while the impedances at  $Z_2$  and  $Z_5$  are capacitances. In this case:

$$\omega_0 = 2\pi f_{co} = (1/R_2 R_3 C_1 C_2)^{1/2} \quad (5.64)$$

Solving Eq. 5.64 for  $f_{co}$  gives us the cutoff frequency:

$$f_{co} = \frac{1}{2\pi} \left( \frac{1}{R_2 R_3 C_1 C_2} \right)^{1/2} \quad (5.65)$$

or, in the more commonly encountered form

$$f_{co} = \frac{1}{2\pi\sqrt{R_2R_3C_1C_2}} \quad (5.66)$$

We can simplify the design of this type of circuit by assuming that  $Q = 2^{\frac{1}{2}}/2$ , which is approximately 0.707. The gain inside of bandpass is approximated by

$$A_{VB} = R_3/R_1 \quad (5.67)$$

If we permit the ratio  $C_1/C_2$  to be a constant, denoted by  $k$ , and let

$$k = 4Q^2(A_{VB} + 1) \quad (5.68)$$

we can claim that

$$C_1 = kC_2 \quad (5.69A)$$

$$C_1 = C_2[4Q^2(A_{VB} + 1)] \quad (5.69B)$$

Substituting our given assumption concerning  $Q$ ,

$$C_1 = C_2(4)(\sqrt{2}/2)^2(A_{VB} + 1) \quad (5.70)$$

$$C_1 = 2C_2(A_{VB} + 1) \quad (5.71)$$

The value of  $R_2$  is given by:

$$R_2 = \frac{1}{\omega_0^2 C_1^2 R_3 [4Q^2(A_{VB} + 1)]} \quad (5.72)$$

$$R_2 = \frac{1}{8\pi^2 f_{co}^2 C_1^2 R_3 (A_{VB} + 1)} \quad (5.73)$$

And, finally, the values of the other resistors are given by:

$$R_1 = R_3/A_{VB} \quad (5.74)$$

$$R_3 = 1/4\pi f_{co} Q C_2 \quad (5.75)$$

$$R_3 = 1/2\sqrt{2} f_{co} C_2 \quad (5.76)$$

The protocol for component selection sequence is:

1. Set  $C_1$  to a convenient value.
2. Compute  $C_2$ .

3. Compute  $R_3$ .
4. Compute  $R_1$ .
5. Compute  $R_2$ .

### Example 5-3

Design a 1 kHz second-order filter of the multiple feedback path type. Assume the following:  $Q = 0.707$ ,  $A_{VB} = 1$ .

#### Solution:

1. Set  $C_1$  to  $0.004 \mu\text{F}$ .
2. From Eq. 5.71:

$$C_1 = 2C_2(A_{VB} + 1) \quad (5.77)$$

so,

$$C_1 C_2 = 2(1 + 1) \quad (5.78)$$

$$C_1/C_2 = 4 \quad (5.79)$$

Therefore,

$$C_2 = C_1/4 \quad (5.80)$$

$$C_2 = 0.004/4 \quad (5.81)$$

$$C_2 = 0.001 \mu\text{F} \quad (5.82)$$

This last computation can be performed several times until a pair of standard-value capacitors are obtained.

3. Compute  $R_3$  using Eq. 5.76.

$$R_3 = 1/2\sqrt{2}f_{co}C_2 \quad (5.83)$$

$$R_3 = 1/(2)(\sqrt{2})(1000)(10^{-9}) \quad (5.84)$$

$$R_3 = 354\text{K} \quad (5.85)$$

4. Compute  $R_1$  from Eq. 5.67.

$$A_{VB} = R_3/R_1 \quad (5.86A)$$

$$1 = R_3/R_1 \quad (5.86B)$$

$$R_1 = R_3 \quad (5.87)$$

$$R_1 = 354\text{K} \quad (5.88)$$

5. Compute  $R_2$  from Eq. 5.72.

$$R_2 = \frac{1}{8\pi^2 f_{co}^2 C_1^2 R_3 (A_{VB} + 1)} \quad (5.89)$$

$$R_2 = \frac{1}{(8)(3.14)^2(1000)^2(4 \times 10^{-9})^2(3.54 \times 10^5)(1 + 1)} \quad (5.90A)$$

$$R_2 = 1.119K \quad (5.90B)$$

The high-pass multiple feedback path filter is shown in Fig. 5-15. Notice that, once again, the principal difference between the high-pass and low-pass designs is that the resistors and capacitors exchange places.

In the high-pass circuit the gain is set by the capacitor ratio

$$A_{VB} = C_1/C_3 \quad (5.91)$$

and if a flat bandpass response is desired,

$$C_1 = C_2 \quad (5.92)$$

By an argument similar to the low-pass case, the cutoff frequency is given by

$$f_{CO} = 1/2\pi\sqrt{R_1R_2C_2C_3} \quad (5.93)$$

the resistors are selected from

$$R_1 = 1/2\pi f_{CO}QC_1(2A_{VB} + 1) \quad (5.94)$$

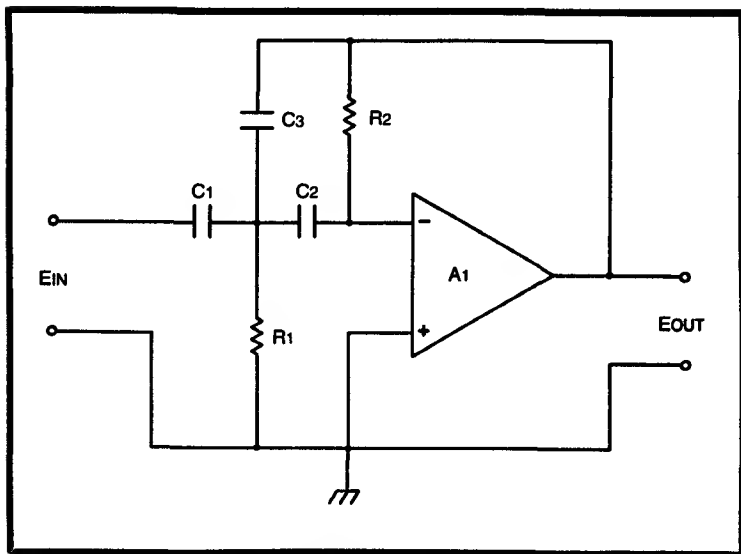


Fig. 5-15. High-pass version of Fig. 5-13.



and,

$$R_2 = Q(2A_{VB} + 1)/(2\pi f_c C_1) \quad (5.95)$$

The design sequence is:

1. Select  $C_1$  arbitrarily.
2. Find  $C_2$  and  $C_3$ .
3. Compute  $R_1$ .
4. Compute  $R_2$ .

#### Example 5-4

Design a maximally flat, second-order high-pass filter with a cutoff frequency of 1 kHz. Assume that bandpass gain  $A_{VB}$  is unity.

#### Solution:

1. Set  $C_1 = 0.001 \mu\text{F}$ .
2.  $C_1 = C_2 = 0.001 \mu\text{F}$ .
3. Compute the value of  $R_1$  from Eq. 5.94.

$$R_1 = 1/2\pi f_c Q C_1 (2A_{VB} + 1) \quad (5.96)$$

$$R_1 = 1/2(3.14)(10^3)(0.707)(10^{-9})(2 + 1) \quad (5.97)$$

$$R_1 = 75\text{K} \quad (5.98)$$

4. Compute the value of  $R_2$  from Eq. 5.95.

$$R_2 = Q(2A_{VB} + 1)/2\pi f_c C_1 \quad (5.99)$$

$$R_2 = (0.707)(3)/(2)(3.14)(10^{-9}) \quad (5.100)$$

$$R_2 = 338\text{M} \quad (5.101)$$

An example of the bandpass multiple feedback path filter circuit is shown in Fig. 5-16. The bandpass gain is given by

$$A_{VB} = 1/(R_1/R_3)(1 + C_2/C_1) \quad (5.102)$$

But in the maximally flat bandpass version of the circuit we let  $C_1 = C_2$ , so Eq. 5.102 becomes

$$A_{VB} = 1/(2R_1/R_3) \quad (5.103)$$

$$A_{VB} = R_3/2R_1 \quad (5.104)$$

The circuit  $Q$  is found in the manner given earlier  $[f_o/(f_H - f_L)]$ , and the center frequency from:

$$f_o = \frac{1}{2\pi C_1} \sqrt{\frac{(R_1 + R_2)}{R_1 R_2 R_3}} \quad (5.105)$$

The resistor values are found from

$$R_1 = Q/A_{VB} 2\pi f_o C_2 \quad (5.106)$$

$$R_2 = Q/(2Q^2 - A_{VB}) 2\pi f_o C_2 \quad (5.107)$$

$$R_3 = 2Q/\omega_o C_2 \quad (5.108)$$

$$R_3 = Q/\pi f_o C_2 \quad (5.109)$$

The component selection sequence is:

1. Determine  $Q$ ,  $f_o$ ,  $f_L$ , and  $f_H$ .
2. Set  $C_1$  and  $C_2$  ( $C_1 = C_2$ ) to a convenient value.
3. Compute  $R_1$ .
4. Compute  $R_2$ .
5. Compute  $R_3$ .

### Example 5-5

Design a band-pass filter with a  $Q$  of 20, centered about 1 kHz. Assume a bandpass gain of unity.

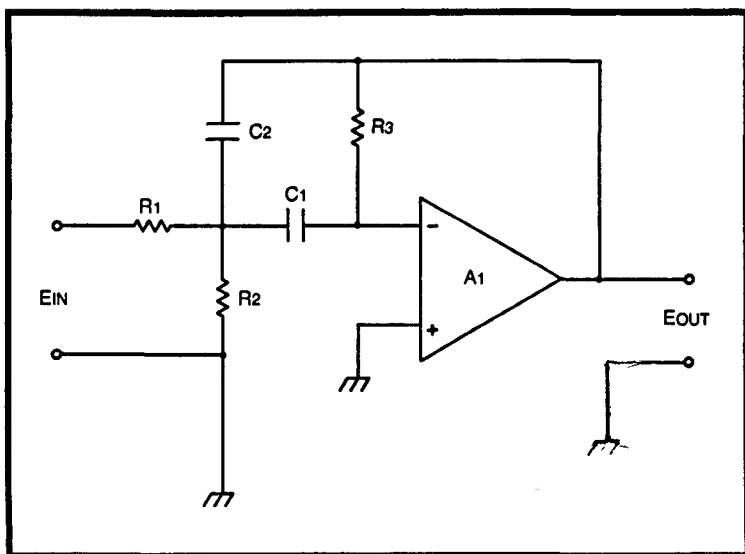


Fig. 5-16. Bandpass version of Fig. 5-13.

**Solution:**

1. If  $Q = 20$  and  $f_o = 1000$  hertz, then

$$f_H - f_L = f_o/Q \quad (5.110)$$

$$f_H - f_L = 1000/20 \quad (5.111)$$

$$f_H - f_L = 50 \text{ hertz} \quad (5.112)$$

If the bandpass is symmetrical  $f_H$  is  $f_o + 25$  Hz, or 1025 hertz, and  $f_L = f_o - 25$  hertz or 975 hertz.

2. Set  $C_1 = C_2 = 0.001 \mu\text{F}$

3. Compute the value of  $R_1$  from Eq. 5.106.

$$R_1 = Q/A_{VB}2\pi f_o C_2 \quad (5.113)$$

$$R_1 = (20)/(1)(2)(3.14)(10^3)(10^{-9}) \quad (5.114)$$

$$R_1 = 3.18\text{M} \quad (5.115)$$

4. Compute the value of  $R_2$  from Eq. 5.107

$$R_2 = Q/(2Q^2 - A_{VB})2\pi f_o C_2 \quad (5.116)$$

$$R_2 = (20)/[(2)(20)^2 - 1](2)(3.14)(10^3)(10^{-9}) \quad (5.117)$$

$$R_2 = (20)/(799)(2)(3.14)(10^{-6}) \quad (5.118)$$

$$R_2 = 3.98\text{K} \quad (5.119)$$

5. Compute the value of  $R_3$  from Eq. 5.109.

$$R_3 = Q/\pi f_o C_2 \quad (5.120)$$

$$R_3 = (20)/(3.14)(10^3)(10^{-9}) \quad (5.121)$$

$$R_3 = 6.37\text{M} \quad (5.122)$$

In all of these examples one might have to try various capacitor values in order to see which will allow the use of standard components. Keep in mind when making your choices that filter performance is best when precision resistors and low-drift (i.e., silver mica, poly-carbonate, polyethylene, etc.) capacitors are used. It is also part of the standard wisdom to opt for standard capacitors and nonstandard value resistors if such a question arises because it is easier to use a potentiometer to trim a value than it is to use a variable capacitance.

## Chapter 6

# Some Useful Digital Circuits

---

Although it has been a basic assumption in writing this book that you are familiar with basic electronic circuitry, it is felt that it will be useful to include a section on certain types of useful digital circuitry.

### ONE-SHOT MULTIVIBRATORS

Monostable multivibrators, or one shots, are circuits that will deliver a single output pulse of constant amplitude and duration every time a trigger pulse is received at the input terminals.

One shots are used extensively in electronic instrumentation, as well as in computer and other digital circuits. They are used, for example, to clean up noisy waveforms, debounce switch contacts, form digital delay lines, and insure the proper initial conditions in some instrument circuits.

In circuits where the signal information is contained in the repetition rate of irregularly shaped pulses, then a one-shot circuit can be used to recover the data. Similarly, when decoding a tape-recorded audio-FM data signal, a pulse-counting detector can be used; this requires the same type of circuit as the case of the irregularly shaped pulses.

In both situations a one shot is used to produce pulses of constant amplitude and constant duration, only the repetition rate varies with the input signal. Since all individual one-shot output

pulses have constant area (i.e., duration  $\times$  amplitude), then integrating the pulse train will yield a DC voltage that is proportional to the repetition rate. This technique is used in many different types of scientific instruments.

The TTL chips in the 74121 through 74123 series are high-speed one-shot circuits, and that fact alone makes them a little nasty to tame. Many different problems result from improper layout, and those chips are difficult enough to use that one should try to use a slower device such as the 555 timer if the pulse duration is between 1 microsecond and 10 seconds. The 555 is a bipolar-technology device, although *not* TTL, and will operate at supply voltages between +4.5 volts DC and +15 volts DC. This wide power supply range makes it easy to interface the 555 with TTL, CMOS, or discrete circuits.

The 555 output terminal (pin 3) will *sink* or *source* up to 200 milliamperes of current, making it easy to use with lamps, relay coils, and a variety of loads that are difficult to drive with either TTL or CMOS devices.

Figure 6-1 shows the basic monostable circuit using the 555 timer chip. The stages inside of the block are the 555 internal circuitry, while the rest is external.

The 555 uses two comparators. Comparator 1 is biased to a potential of  $\frac{2}{3} V_{CC}$ , while comparator 2 is biased to a potential of  $\frac{1}{3} V_C$ .

The circuit in Fig. 6-1 is triggered by bringing the voltage on the trigger terminal from a positive value down to less than  $\frac{1}{3} V_{CC}$ . This condition is met by applying a negative-going pulse to pin 2.

The trigger pulse causes the output of comparator 2 to set the control flip-flop, which in turn causes output terminal (pin 3) to snap high.

Prior to the trigger pulse, the discrete transistor inside of the 555 has been turned on, which kept capacitor  $C_1$  discharged. But now the transistor is turned off, so  $C_1$  can begin charging.

When the charge voltage across  $C_1$  reaches  $\frac{2}{3} V_{CC}$  the output of the comparator snaps high, resetting the control flip-flop. This turns the transistor on, discharging  $C_1$  rapidly, which causes the output

terminal to drop low again. The duration of the output-high condition is given by:

$$T = 1.1 R_1 C_1 \quad (6.1)$$

where  $T$  is the time in seconds,  $R_1$  is in ohms, and  $C_1$  is in farads.

### Example 6-1

What is the period of a 555 one-shot circuit (Fig. 6-1) if  $R_1 = 470\text{K}$ , and  $C_1 = 0.05 \mu\text{F}$ ?

#### Solution:

From Eq. 6.1,

$$\begin{aligned} T &= (1.1) (4.7 \times 10^5) (5 \times 10^{-8}) \text{ seconds} \\ &= (1.1) (23.5 \times 10^{-3}) \text{ seconds} \\ &= 2.59 \times 10^{-2} \text{ seconds} = 26 \text{ ms} \end{aligned}$$

The value of  $R_1$  can be almost anything between 10K and 12M, while  $C_1$  can be 100 pF to 10  $\mu\text{F}$ .

The unique advantage of the 555 over some other one-shot circuits is that the output period is almost independent of supply voltage variations, because the period is set by the trip points of the comparators relative to the  $C_1$  potential. These trip points are  $\frac{2}{3}V_{cc}$  and  $\frac{1}{3}V_{cc}$ , respectively, so if  $V_{cc}$  drifts, the one-shot will track the change.

Figure 6-2 shows two methods for triggering the 555. Remember that the trick is to drop pin 2 from a positive potential close to  $V_{cc}$ , down to a potential that is *less than*  $\frac{1}{3} V_{cc}$ . In Fig. 6-2A external transistor  $Q_1$  is normally turned off, so its collector (pin 2 of the 555) is at  $V_{cc}$ . When a trigger pulse is applied to the base of  $Q_1$ , the collector will drop to ground potential, thereby triggering the 555.

Figure 6-2B shows a manual method for triggering the 555. Under rest conditions capacitor  $C_1$  will see the same voltage at both ends,  $V_{cc}$ . But when switch  $S_1$  is closed, one side of the capacitor begins to charge through  $R_2$ . For a brief instant, until the capacitor is partially charged, the voltage on pin 2 drops very nearly to ground, triggering the 555.

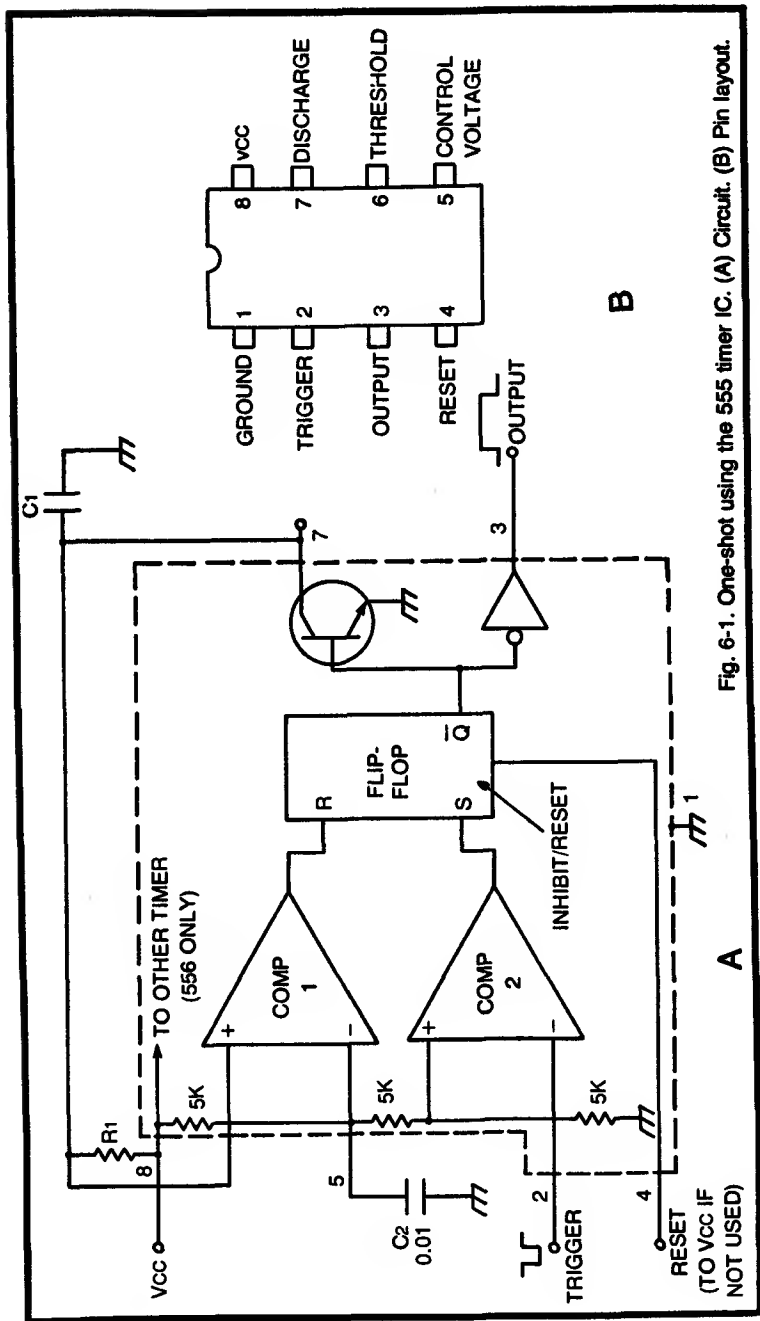


Fig. 6-1. One-shot using the 555 timer IC. (A) Circuit. (B) Pin layout.

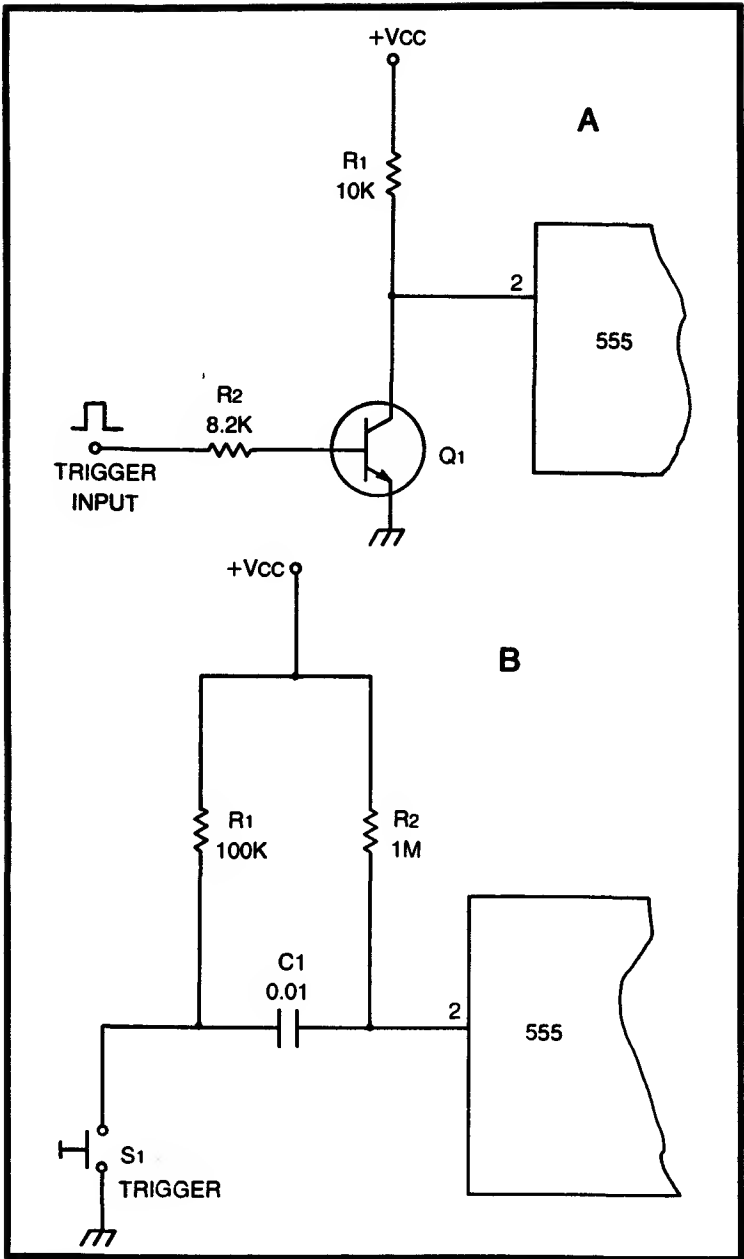


Fig. 6-2. Type 555 triggering circuits (A) Using an external transistor. (B) Manual method.



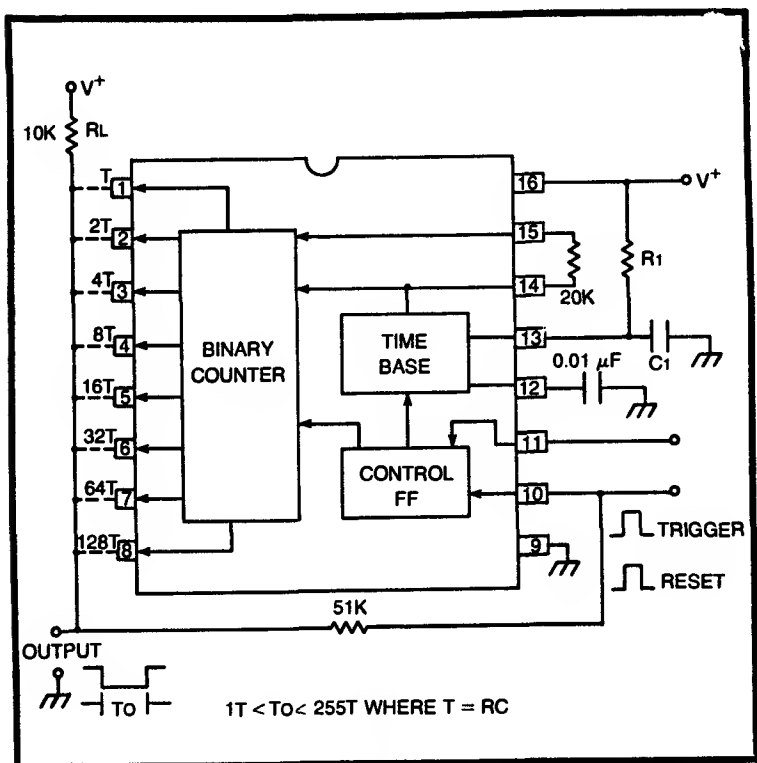


Fig. 6-3. One-shot multivibrator using the XR-2240 timer IC produces times up to  $255R_1C_1$ . (Courtesy of Exar Integrated Systems.)

The 555 is only usable to periods of approximately 10 seconds. For greater time durations a device such as the Exar 2240, 2250, or 2260 (also Intersil 8240, 8250, and 8260, respectively) is a better selection.

The block diagram to the XR-2240 is shown in Fig. 6-3. The time base is a stage built similar to the 555, although different voltage divider resistor values are used, allowing the period to be found using the  $RC$  time constant, namely  $R_1 \times C_1$ . The significant difference between the XR-2240 and the 555 is the internal binary counter. This eight-bit stage uses open-collector outputs that can be connected in a wired-OR configuration through a single 10K pull-up resistor to  $V_{CC}$ . As long as any OR-connected output is low, then the output from the entire stage is low.

The total time that the output is low following a trigger pulse is a function of the  $R_1C_1$  time constant and the sum of the binary weights of the counter outputs that are ORed together. This period can be anything between  $1R_1C_1$  and  $255R_1C_1$  (the counter is an eight-bit device).

For example, if  $R_1C_1$  is 1 second, and we want a 200-second time delay, we would OR-connect pin 8 ( $128T$ ), pin 7 ( $64T$ ), and pin 4 ( $8T$ ), which totals  $(128 + 64 + 8)T$ , or  $200T$ , where  $T$  is the 1-second time constant  $R_1C_1$ .

Extremely long durations can be programmed by cascading two or more XR-2240 units. The output of one becomes the time base of the next. If two units are used, the total period is  $(256)(256)R_1C_1$ , or  $65,536R_1C_1$ . If  $T = 1$  second, incidentally, then two XR-2240 timers in cascade yield a duration of 65,536 seconds, or over 18 hours.

In Fig. 6-3, the feedback switch determines whether or not the timer operates in astable or monostable modes. When the switch is closed, the device becomes self-retriggering at the end of each period; behavior that results in astable operation.

An external timer can be used in those cases where the computer inputs data only after a long process has taken place, or where the sample rate is measured in *events per minute* or *hour*. It would be wasteful to have the computer loop meaninglessly while awaiting the end of the period, so an external timer would allow it to perform other jobs in the meantime.

## 74100 LATCH

Data typically appears on a microprocessor/microcomputer data bus for less than a millisecond. A means must be provided to grab and hold that data; that is, to *latch* the data.

There are a number of data latches available as auxiliary or peripheral chips from microprocessor chip companies, but these tend to be relatively costly.

The 74100 is a TTL chip, and it cost \$1.50 when some of the special purpose data latch chips cost over \$12. The 74100 is defined as a *dual quad-latch* type, and essentially contains eight D-type flip-flops arranged in two banks of four each. The data and output

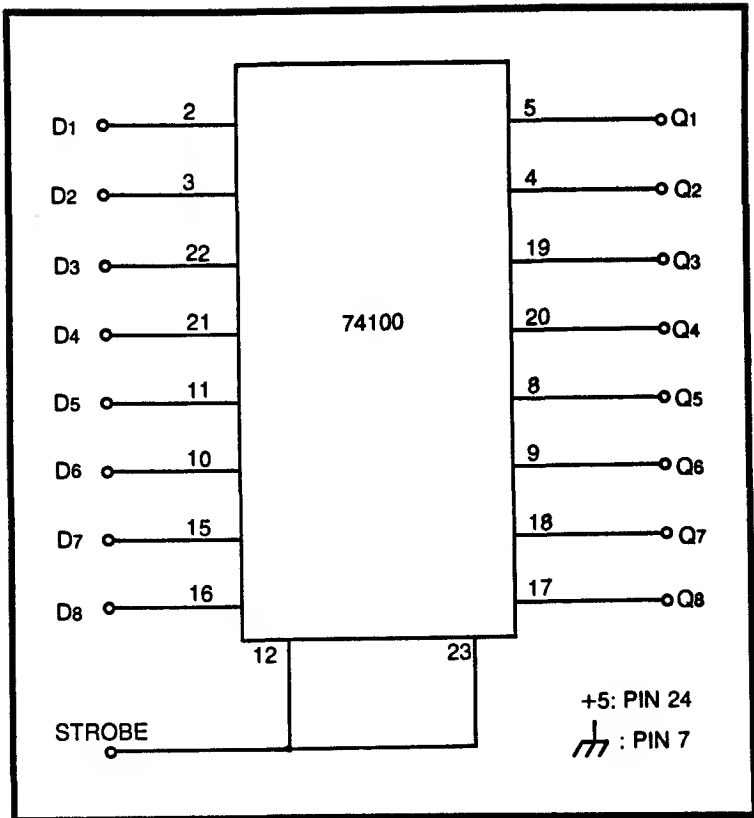


Fig. 6-4. Type 74100 quad-latch

terminals  $D$ ,  $Q$ , and  $\bar{Q}$  (*not Q*) on each flip-flop are independent, but all of the *clock* terminals in each bank are tied together.

In Fig. 6-4 the clock terminals from the two banks are connected together forming what can be called a *strobe* or *chip enable* terminal.

Data applied to the input pins will be transferred to the output only when the strobe terminal is brought high. When the strobe is low, the output terminals hold the data that existed at the last time the strobe was high.

The 74100 is a low-cost TTL device, so is a cheaper device to use in data latch applications. It will operate at speeds up to several megahertz, so is compatible with most microprocessors.

## FLIP-FLOPS

There are several different types of flip-flops: RS, D-type, and JK. All of these flip-flops have different properties, so are useful under differing circumstances. All flip-flops can be made from various combinations of NAND, NOR, AND, OR, and exclusive-OR gates, but very few designers bother doing that anymore because all but the RS flip-flop are readily available in several forms of TTL and CMOS devices.

The RS flip-flop, also called the *set-reset* flip-flop, comes in two varieties that have inverse truth tables. The example shown in Fig.

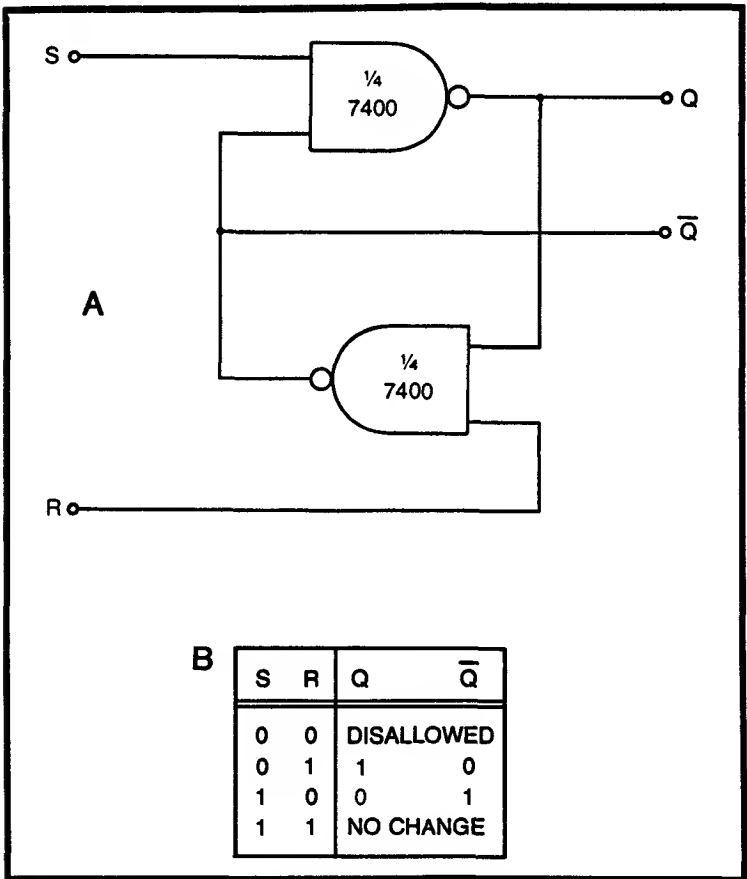


Fig. 6-5. NAND gate RS flip-flop. (A) Circuit. (B) Truth table.

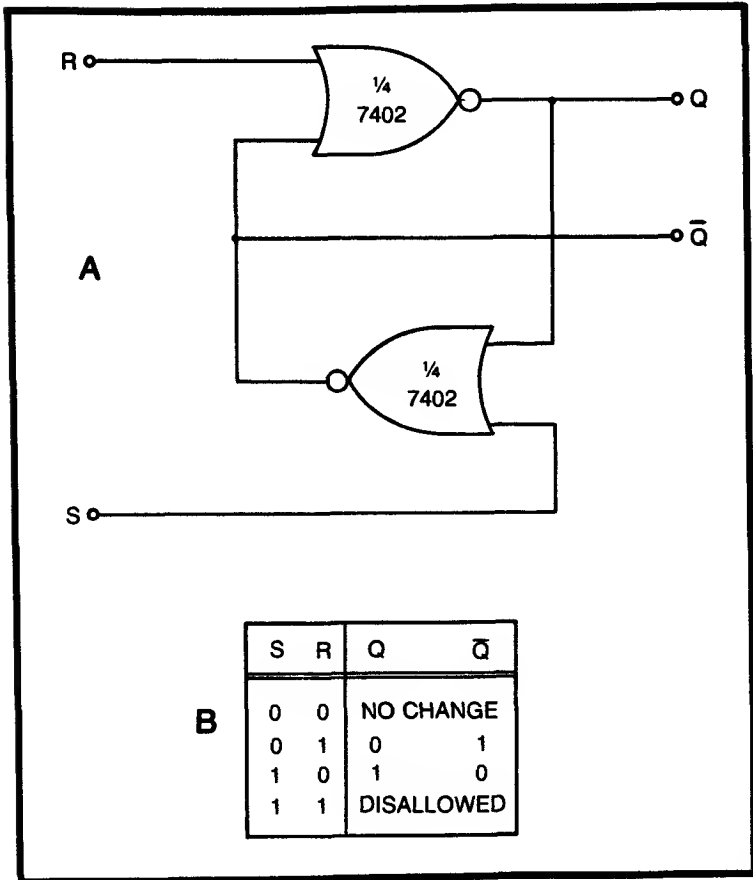


Fig. 6-6. NOR gate RS flip-flop. (A) Circuit. (B) Truth table.

6-5A uses NAND gates (i.e., 7400). The rules for operation of this flip-flop (see also the truth table) are summarized below.

1. If both  $R$  and  $S$  are high, then there is *no change* in output state.
2. If  $S$  is momentarily made low, then the output state goes to the condition where  $Q$  is high and  $\bar{Q}$  is low.
3. If the  $R$  terminal is momentarily made low, then the output state goes to the condition where  $Q$  is low and  $\bar{Q}$  is high.
4. If both  $R$  and  $S$  are low, then this is a disallowed state and should be avoided.

The related circuit of Fig. 6-6A uses NOR gates (i.e., 7402), and obeys the rules below:

1. Both  $R$  and  $S$  HIGH: disallowed state.
2. If  $S$  is brought high momentarily the output state goes to the condition where  $Q$  is high and  $\bar{Q}$  is low.
3. If  $R$  is brought high momentarily, the output state goes to the condition where  $Q$  is low and  $\bar{Q}$  is high.
4. Both inputs low: no change.

The D-type flip-flop is an example of a synchronous or clocked flip-flop: it will change state only when the clock terminal is high.

The circuit symbol for a D-type flip-flop is shown in Fig. 6-7. The data applied to the  $D$  input (i.e., a 1 or 0) will be transferred to the output only when CLK is high. Between clock pulses the  $Q$  output holds the last data present at the input before the clock pulse drops low again.

The 7474 is a TTL dual D-type flip-flop. The 7475 device is a quad D-type flip-flop, but is in the form of a latch which has two banks of two flip-flops each. The CLK terminals of the flip-flops in a bank are tied together. As previously noted, the 74100 is a dual quad-latch type containing eight D-type flip-flops in two banks of four each.

The JK flip-flop (e.g., 7473, 7476) is probably the most complex of the flip-flops. There are actually two sets of rules for the JK; one

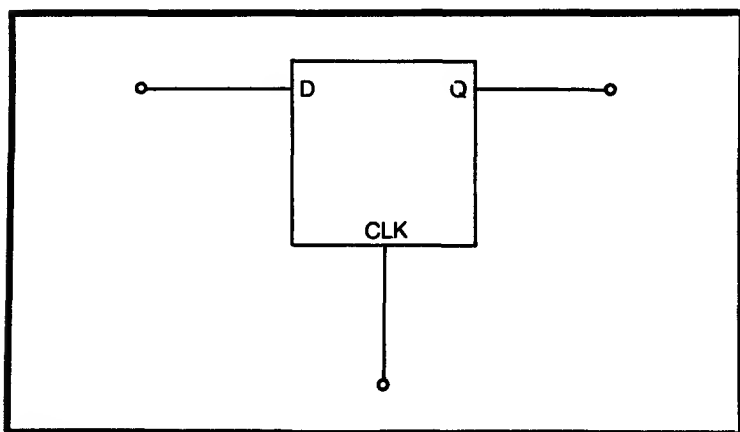


Fig. 6-7. D-type flip-flop.

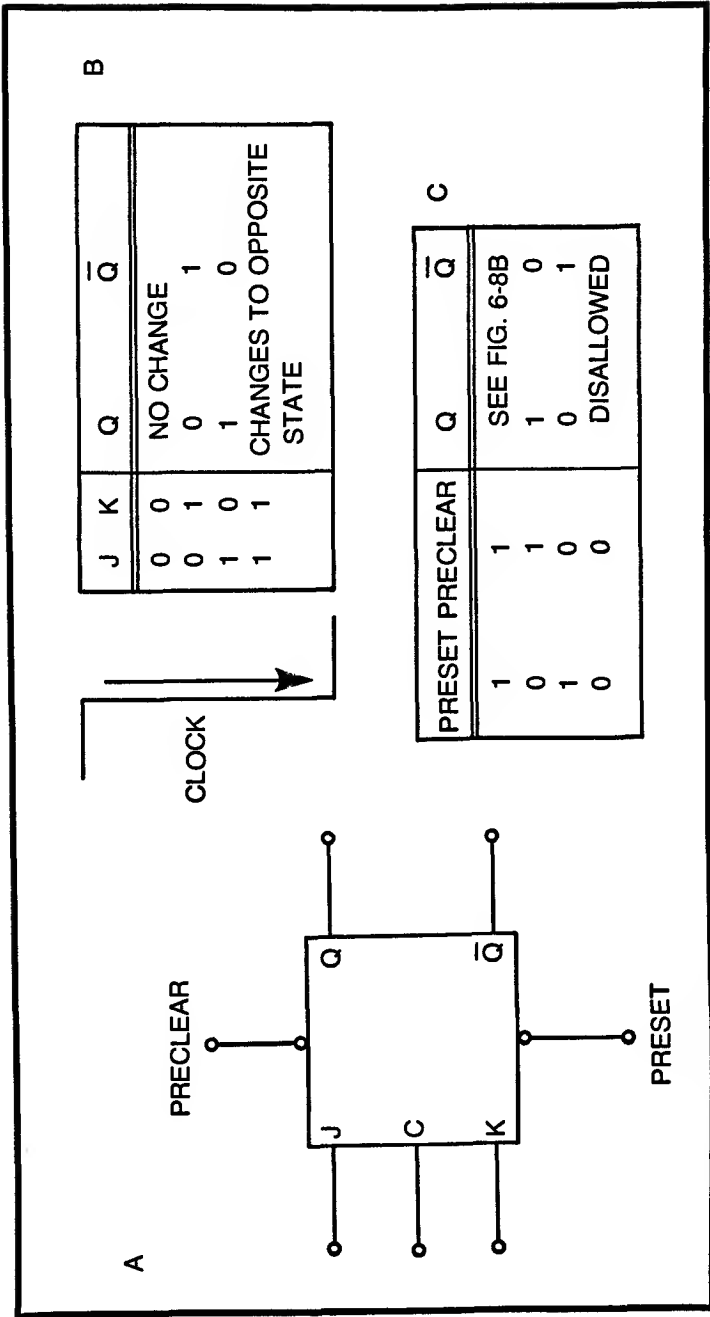


Fig. 6-8. JK flip-flop. (A) Circuit diagram. (B) Clocked operation truth table. (C) Direct operation truth table.

for clocked operation and another for direct (i.e., unclocked) operation.

In clocked operation (Fig. 6-8) the *preset* and *preclear* inputs are tied high, and the output responds to the states of *J* and *K* inputs, but only during negative-going transitions of the clock pulse.

If *J* is low, and *K* is high during the clock transition, then the output goes to the condition where *Q* is low and  $\bar{Q}$  is high.

Exactly the opposite happens when *J* is high and *K* is low: the output condition following the clock pulse will be *Q* high and  $\bar{Q}$  low.

In direct operation (Fig. 6-8C) the *preset* and *preclear* inputs control operation and are independent of the clock pulse. The rules of operation are summarized in the truth tables.





## Chapter 7

# Analog Function Modules

---

A function module is a prepackaged electronic circuit block that is designed to perform a special function, or a limited range of related functions, with a minimum of external circuit connections. This category of devices does not formally include special-purpose monolithic integrated circuits, but I think that a case for their inclusion can certainly be made.

But what is a function module? In most cases the circuit required to do the job may be composed of operational amplifiers, other linear or digital integrated circuits, resistors, capacitors, diodes, and individual transistors much like a regular electronic circuit. The integrated circuits used are usually obtained in chip form from the semiconductor manufacturers rather than in the familiar packaged versions of ordinary electronic applications. These are mounted on a master ceramic substrate along with the other components to form a hybrid circuit. The substrate can be multilayered, and can contain printed circuit tracks in addition to angel-hair wires from the "outside world" pins to the tracks or from the tracks to the integrated circuit chips. A cutaway view of a function module is shown in Fig. 7-1.

Several different common packages are used for housing analog function modules. The two types shown in Fig. 7-2 are probably the most evident. The package in Fig. 7-2B is a hermetically sealed

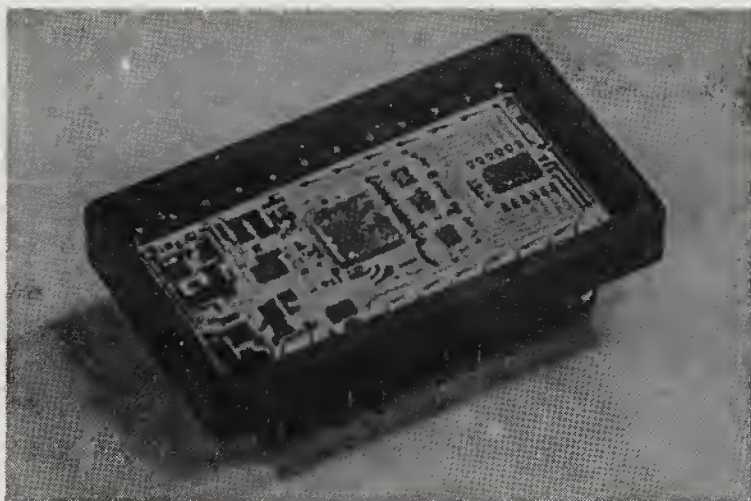


Fig. 7-1. An analog function module.

metal package, while that in Fig. 7-2A is an epoxy-fiberglass "potted" version. The pin layouts and actual physical dimensions tend to vary not only from one manufacturer to another, but between modules of the same manufacturer, so nothing meaningful can be said about them.

Most analog function modules are designed to be mounted and soldered directly to a printed circuit board. A few manufacturers, however, offer sockets at nominal cost, and these are especially useful in wire-wrapped applications.

The range of actual functions performed by the various modules is broad, and includes both exotic data acquisition systems and individual data converters (covered separately in Chapters 10 through 15 of this book) down to ordinary power supplies and isolated DC-to-DC converters.

Other common monolithic and hybrid function modules include active filters, voltage-to-frequency converters, frequency-to-voltage converters (and at least one module that will do both), logarithmic and antilog amplifiers, A/D converters, D/A converters, sample-and-hold circuits, high-performance operational amplifiers, and at least one multifunction converter module (the Burr-Brown 4301).

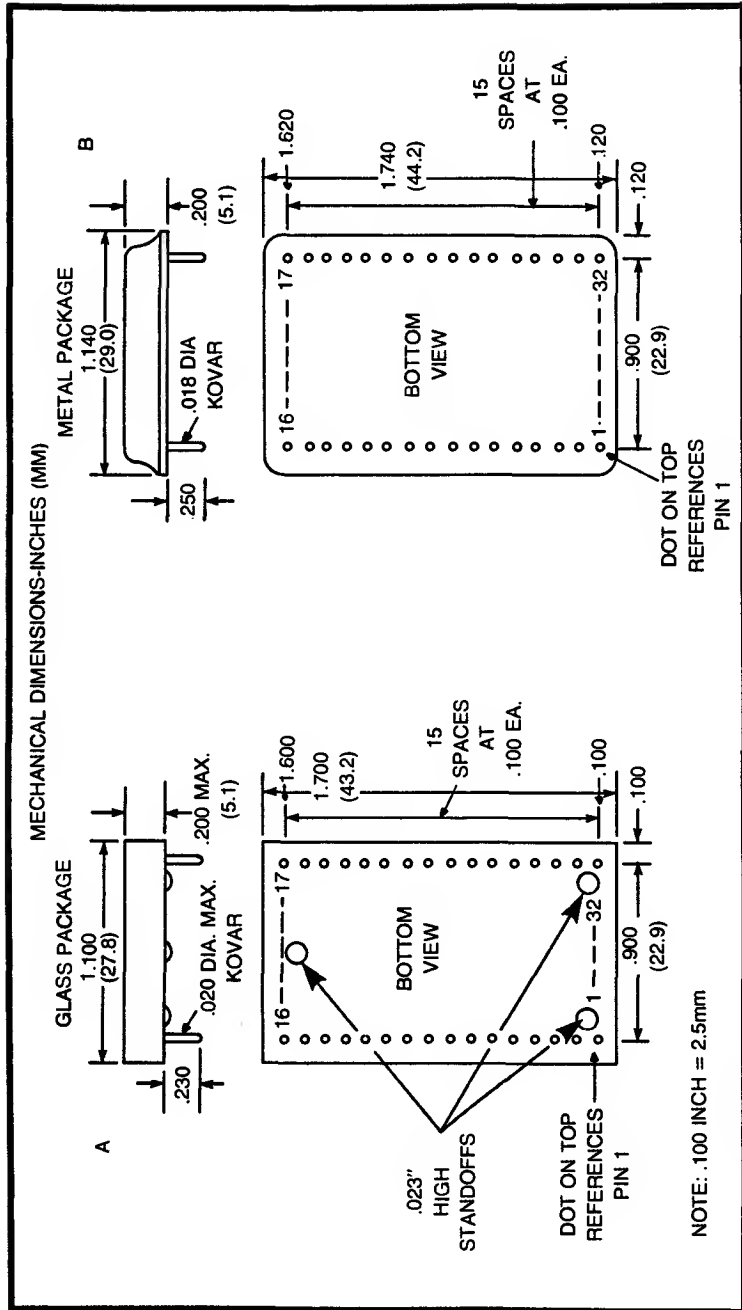


Fig. 7-2: Function modules packages. (A) Metal. (B) Glass. (Courtesy of Datel.)

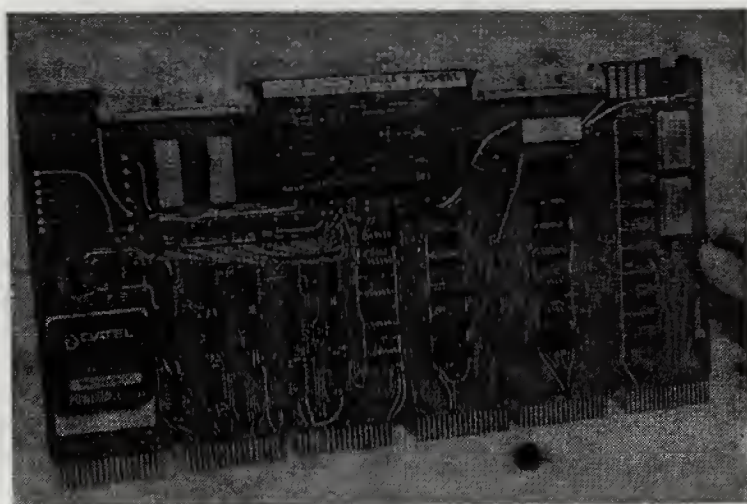


Fig. 7-3. Several Datel function modules used on a printed circuit. (Courtesy of Datel.)

Figure 7-3 shows a printed circuit board manufactured by Datel using several Datel function modules along with a number of monolithic integrated circuits. This data acquisition product is shown here to emphasize to you what a function module is not. It is not a printed circuit (PC) board filled with components. The PC board is more properly called a special-purpose subassembly, built with function modules and other discrete or monolithic components as needed.

I am not going to describe how they make an analog function module, even though the topic is potentially very interesting, but will describe several commercially available products and give their applications.

Figure 7-4 shows the block diagram for a Datel universal active filter function module, model FLT-U2. The internal circuit diagram is shown in Fig. 7-4A, and the external connections in Fig. 7-4B.

Operational amplifiers  $A_1$  through  $A_3$  form a "state variable" active filter. Although this class of filter is more complex than some of those given in Chapter 5, it offers the advantage of providing high-pass, low-pass, and bandpass properties *simultaneously* from different terminals. The FLT-U2 also includes an uncommitted op-

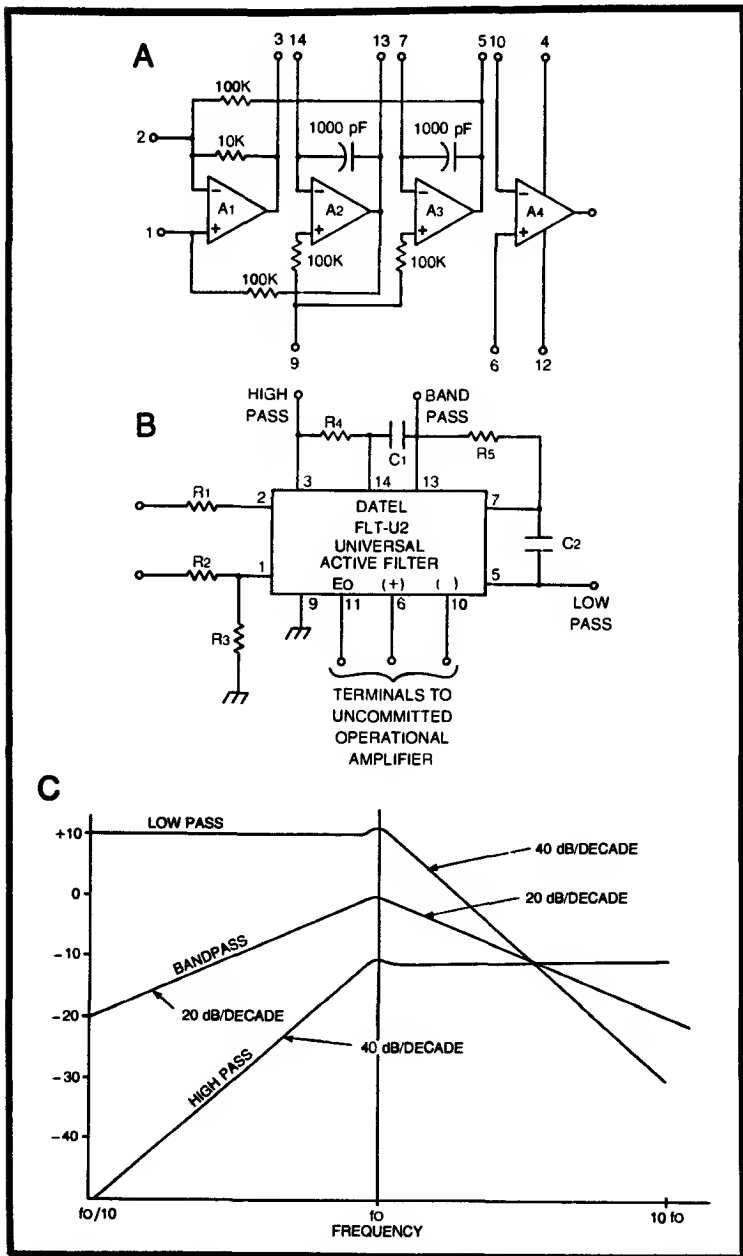


Fig. 7-4. Function module state-variable filter. (A) Block diagram. (B) Circuit. (C) Response plot. (Figs. 7-4A and B, Courtesy of Datel.)

erational amplifier ( $A_4$ ) that can be configured by the user to meet specific needs. The transfer functions for the state variable filter are:

### Low-Pass Function

$$H(s) = \frac{k_1}{s^2 + (\omega/Q)s + \omega^2} \quad (7.1)$$

### Bandpass Function

$$H(s) = \frac{k_2 s}{s^2 + (\omega/Q)s + \omega^2} \quad (7.2)$$

### High-Pass Function

$$H(s) = \frac{k_3 s^2}{s^2 + (\omega/Q)s + \omega^2} \quad (7.3)$$

where  $\omega$  is the natural frequency of the circuit  $2\pi f_0$  and  $k_1$ ,  $k_2$ , and  $k_3$  are constants.

The external circuitry for the filter is shown in Fig. 7-4B. This module sees two different inputs, inverting and noninverting, but Table 7-1 shows which to use in order to give inverting or noninverting characteristics to the overall circuit.

### Design Procedure

1. Determine desired  $f_0$ ,  $Q$ , and configuration (Table 7-1).
2. Compute the quantity  $f_0 Q$ . (At  $f_0 Q$  less than  $10^4$  the  $Q$  of the finished circuit will closely approximate the calculated

Table 7-1. Datel FLT-U2 Active Filter Input/Output Phases.

| Input Used   | Output Phase |             |             |
|--------------|--------------|-------------|-------------|
|              | BP           | HP          | LP          |
| Noninverting | Inverted     | Noninverted | Noninverted |
| Inverting    | Noninverted  | Inverted    | Inverted    |

**Table 7-2. Datal FLT-02 Inverting Configuration Resistor Values.**

| Form | R <sub>1</sub> | R <sub>2</sub> | R <sub>3</sub>  |
|------|----------------|----------------|-----------------|
| LP   | 100K           | —              | 100K/(3.8Q - 1) |
| HP   | 10K            | —              | 10K/(6.64Q - 1) |
| BP   | Q × 31.6K      | —              | 10K/(3.48Q)     |

Q, at  $f_0Q = 10^4$  there will be a Q error of approximately 1%, and at  $f_0Q$  greater than  $10^4$  there will be about 20% Q error.)

- Find  $R_1$ ,  $R_2$  and  $R_3$  from the appropriate table. Use Table 7-2A for inverting configurations, and Table 7-3 for noninverting configurations.
- Set  $R_4 = R_5$  and compute:

$$R_4 = R_5 = 5.03 \times 10^7 / f_0$$

(Note:  $R_4$  and  $R_5$  need not actually be equal so long as  $(R_4R_5)^{1/2}$  remains constant. If  $R_4$  is made fixed, then  $R_5$  can be made variable to trim the resonant frequency  $f_0$  to an exact value.)

Capacitors  $C_1$  and  $C_2$  are used if the filter is operated at  $f_0$  below 50 hertz, in which case,

$$R_4 = R_5 = 5.03 \times 10^7 / f_0 C$$

assuming that the  $C$  term, given in picofarads, is the sum of the 1000 pF internal capacitors and  $C_1$  or  $C_2$ , also expressed in picofarads. If unequal external capacitors are used, then

$$R_4 = R_5 = 5.03 \times 10^7 / f_0 (C_A C_B)^{1/2}$$

where  $C_A = C_1 + 1000$  pF and  $C_B = C_2 + 1000$  pF.

**Table 7-3 Datal FLT-02 Noninverting Configuration Resistor Values.**

| Form | R <sub>1</sub> | R <sub>2</sub> | R <sub>3</sub>    |
|------|----------------|----------------|-------------------|
| LP   | —              | 316K/Q         | 100K/(3.16Q - 1)  |
| HP   | —              | 31.6K/Q        | 100K/(0.316Q - 1) |
| BP   | —              | 100K           | 100K/(3.48Q - 1)  |



The procedure given above results in a unity-gain universal filter. If additional gain is required, then use the uncommitted operational amplifier ( $A_4$  is Fig. 7-4A) to provide the amplification desired. This stage obeys the standard rules for operational amplifiers.

### **UNIVERSAL V/F-F/V CONVERTER**

The Datel VFV-10K and VFV-100K function modules are capable of operating as either voltage-to-frequency (V/F) or frequency-to-voltage (F/V) converters. The block diagram to this useful function module is shown in Fig. 7-5. The VFV-series modules will operate in V/F or F/V modes depending only on external connections.

The internal circuit is of the capacitor-charge integrator variety, but in this particular implementation the inverting input of the operational amplifier used as the integrator can be accessed either directly or through a resistor to make current or voltage inputs, respectively. The name for this device, then, is a little bit of a misnomer because it will also function as a current-to-frequency converter.

Another feature of this module set is the uncommitted inverting amplifier preset with unity gain. This stage is used to accommodate negative inputs. The main V/F section, the integrator, always wants to see a positive voltage, so to accommodate negative voltages we must first invert them in this amplifier and connect the operational amplifier to the regular input.

The analog input ranges are 0 to +10 volts if connected in the direct configuration and 0 to -10 volts if the inverting amplifier is used. The full-scale range of the current input is 0 to 1 milliamperes in direct and 0 to -1 milliamperes if through the inverting amplifier.

The principal difference between the two Datel modules in this series is in the output frequency range. A full-scale input current or voltage will produce a 10 kHz output in the VFV-10K and 100 kHz in the VFV-100K. For voltage inputs the scale factors, then, are 1 hertz/millivolt and 10 hertz/millivolt, respectively.

These modules can be used to produce an output frequency from an analog voltage or current input, or conversely an output voltage from an input frequency. Such a converter may be used in

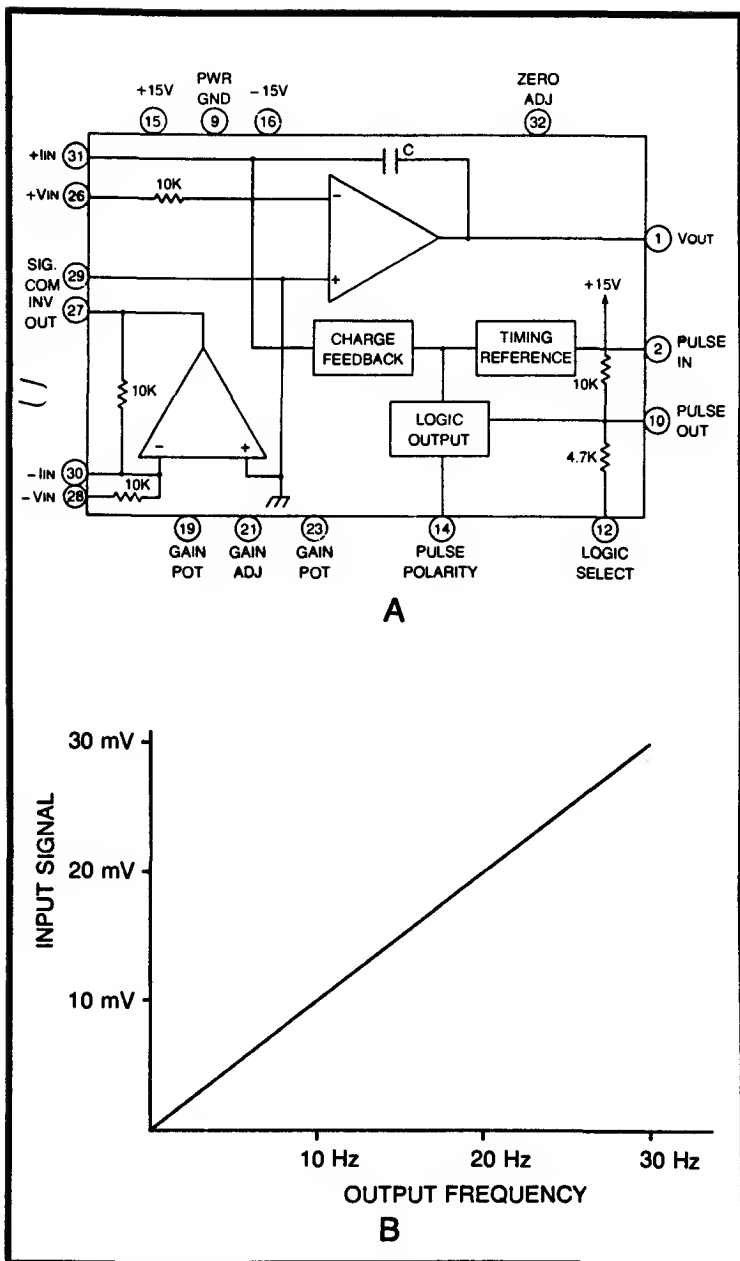


Fig. 7-5. Voltage-to-frequency converter. (A) Block diagram. (B) Transfer function. (Fig. 7-5A Courtesy of Datel.)

computerized instruments either as part of intermediate processing, or in either digital-to-analog (i.e., F/V) or analog-to-digital (i.e., V/F) capacities. In the latter case either an auxiliary frequency counter is used to measure the frequency, or a software frequency counter can be used. In general, the hardware counter is more accurate, but the software approach is more desirable if the error is tolerable.

When using the V/F converter in A/D service one will have to give some thought to the coding of the counter's output. An off-the-shelf frequency counter will most likely produce a binary-coded decimal (BCD) output, as will most of the decade counter integrated circuits you might choose to implement a hardware counter of your own design. Similarly, the LSI CMOS counters now available that offer five or six decades on a single chip usually have a multiplexed BCD output.  $N$ -bit binary counters, of which several exist in both TTL and CMOS lines, output a binary word. These might be used directly (especially if an eight-bit computer input port is used), or you might use a set of cascaded four-bit binary counters (i.e., 7493) organized in hexadecimal form. Regardless of which coding scheme is selected, however, unless it is of a format that is already recognized by the computer, some sort of software code conversion is required.

Two V/F converters can be used to make *ratiometric* voltage measurements. These are especially useful where the ratio between two measured parameters is more accurately determined than absolute values, often the case in scientific and engineering instruments.

One converter is used to feed the input of a frequency counter, while the other converter is frequency divided by a divide-by- $n$  counter chip, and is then used to control the frequency counter's main gate flip-flop. This results in an output count of

$$\text{Count} = 2nV_1/V_2 \quad (7.4)$$

where  $V_1$  is the voltage applied to the V/F converter.  $V_2$  is the voltage applied to the divide-by- $n$  stage, and  $n$  is the frequency division ratio set by the divide-by- $n$  chips programming pins.

We are able to produce a pulse output equal to the difference between two input frequencies by using two F/V converters and one V/F converter in a suitable configuration.

If frequency  $f_1$  drives the input of one F/V module, and frequency  $f_2$  drives the input of the other F/V module, their respective outputs are directed to the  $V_+$  and  $V_-$  inputs of the V/F module. The output of the V/F module's internal inverting amplifier is connected to the current input of the integrator circuit. This connection scheme yields an output of

$$f_0 = f_1 - f_2 \quad (7.5)$$

The pulse output of this circuit can then be used as an analog-to-digital converter in the same manner as the frequency counter technique discussed earlier.

A primary class of applications for the V/F converter is in data transmission. An analog signal can be converted to a frequency, then transmitted over ordinary telephone or radio channels to or from a remote location to the computer or other processing instrument.

The data received from the telephone or radio receiver can be displayed in digital form, reconverted to analog form (in an F/V converter), or applied directly to the computer. In most cases, however, at least a Schmitt trigger or comparator will be required because the digital instrument receiving the data wants to see TTL or CMOS compatible input pulses and the frequency response restrictions (plus other factors) will have converted the pulses from the V/F converter into near sine waves.

A related application for this function module is in the isolation of a signal source from the instrument. This is often done in medical electronic applications because of the relatively severe electrical safety standards enforced for patients who are somewhat more susceptible than healthy people. In industrial and scientific applications isolation might be required because the transducer and preamplifiers (if any) must be located in an environment potentially hazardous to humans, or that is inaccessible most of the time.

### **A MULTIFUNCTION MODULE**

The Burr-Brown 4301 and 4302 function modules obey the following transfer function:

$$E_{\text{OUT}} = V_Y(V_Z/V_X)^m \quad (7.6)$$

where  $E_{\text{OUT}}$  is the output voltage,  $V_X$ ,  $V_Y$ , and  $V_Z$  are input voltages, and  $m$  is a constant such that  $0.2 \leq m \leq 5.0$ .

This analog function module is capable of, either singly or in combination with certain other components, the following output transfer functions: analog multiplication, analog division, squaring, squarerooting, exponentiation, rooting, sine and cosine, arctangent ( $V_X/V_Y$ ), and vector summation/subtraction.

Figure 7-6 shows the general circuit for using the multifunction converter. In the case where  $m$  is greater than unity (1), the constant  $m$  is given by:

$$m = (R_1 + R_2)/R_2 \quad (7.7)$$

In the case where  $m$  is less than unity,

$$m = R_2/(R_1 + R_2) \quad (7.8)$$

where  $m = 1$ , all three converter programming pins are connected together. In both Eqs. 7.7 and 7.8 the sum ( $R_1 + R_2$ ) must be equal to or less than 200 ohms.

The 4301 and 4302 modules can be used as a logarithmic amplifier by using pin 11 as the output, and connecting the circuit for  $m$  between unity and five. In that case only,

$$m = R_2/(R_1 + R_2) \quad (7.9)$$

for  $m$  greater than unity. In all other applications use the equations given earlier for setting  $m$ . The transfer function for the logarithmic amplifier is

$$E_{\text{OUT}} = (kT/qm)[\ln(V_X/V_Z)] \quad (7.10)$$

## OTHER FUNCTION MODULES

The range of possible function modules seems nearly limitless, and one is cautioned to check the catalogues of the function module manufacturers before undertaking a complex design project. The use of analog function modules is a little more costly than other approaches if you only consider the cost of the components, but

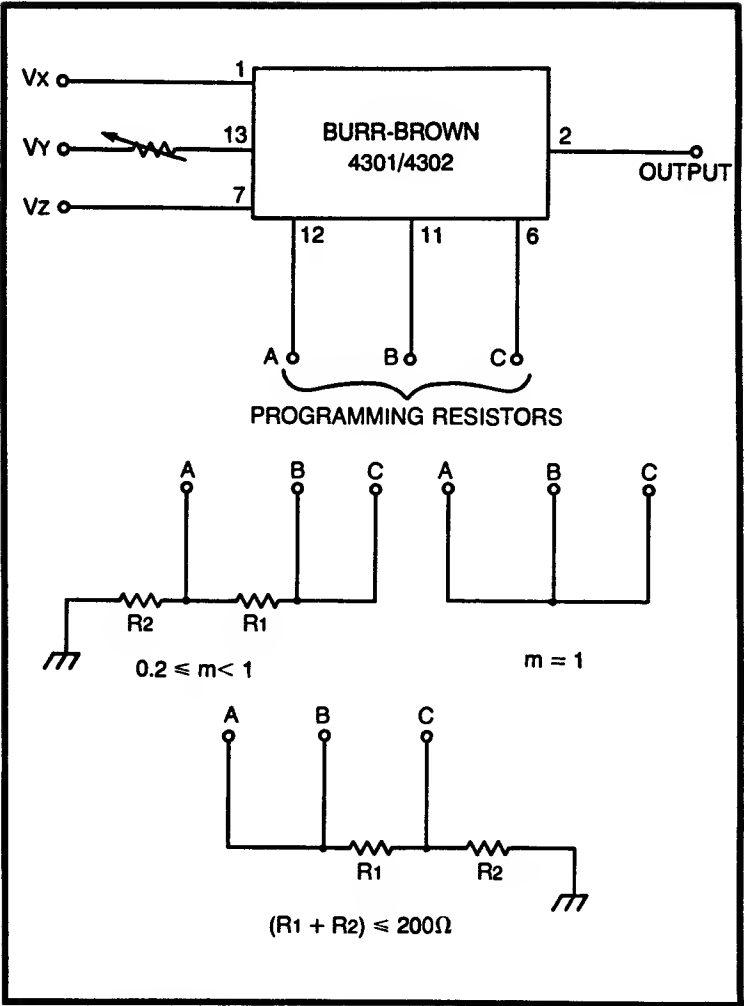


Fig. 7-6. Versatile signal-processing module by Burr-Brown.

becomes a lot more economic if the total design/construction time must also be considered. Low-cost sample-and-hold circuits, for example, can be constructed from three integrated circuits (two operational amplifiers and an analog switch with TTL drive terminal), or one may be purchased from any of several function module sources for less than \$10 as of this writing. Superfast sample-and-hold circuits are tricky to design and actually build (layout becomes

critical and circuits become a lot fussier), so very often the seemingly high cost of the equivalent analog function module is a justifiable expense.

Another often encountered function module is the RMS-to-DC converter. Some converters are merely time averagers, while other purport to perform a calculation such as  $E_{\text{RMS}} = 0.707E_{\text{PEAK}}$ , but these methods are of use only if you can assure that only sinusoidal input waveforms will be processed. Otherwise, the accuracy suffers a tremendous amount.

Most of your better circuits that do the RMS-to-DC conversion, and that includes most function modules, operate from the definition of RMS voltage, namely,

$$E_{\text{RMS}} = \sqrt{\int_0^t (E_{\text{IN}})^2 dt} \quad (7.11)$$

Most RMS-to-DC converter function modules are designed to be little dedicated analog computers, and are programmed to solve Eq. 7.11. They will generally operate to frequencies in excess of 1 megahertz, something that cannot always be said of the thermal and optical transducer types of RMS-to-DC converter (see *Op Amp Circuit Design & Application*, by Joseph J. Carr, TAB Cat. No. 787).

## Chapter 8

# Controlling the World

---

While many ambitious politicians have attempted to control the world, only to fail, we can control at least a small part of it using our microcomputer I/O ports and some external circuitry. The approach taken in this chapter will be by example.

### Example 8-1

Use one bit of a computer output port to turn on a 120-volt AC lamp.

#### Solution:

One possible solution to this problem is shown in Fig. 8-1. Here we use a magnetic relay to control the high AC potential from the power mains to the lamp.

Transistor  $Q_1$  is a relay driver and can be almost any NPN silicon type that will do the job (i.e., handle the voltage and current levels present). Types 2N3906 and 2N2907 are often suggested for this service.

In this example we are assuming that TTL compatible output ports are available in which logic 0 is 0 volts, and logic 1 is +5 volts. Resistor  $R_1$  is selected for those levels. If a higher output voltage is used, then scale the value of  $R_1$  upwards proportionally.



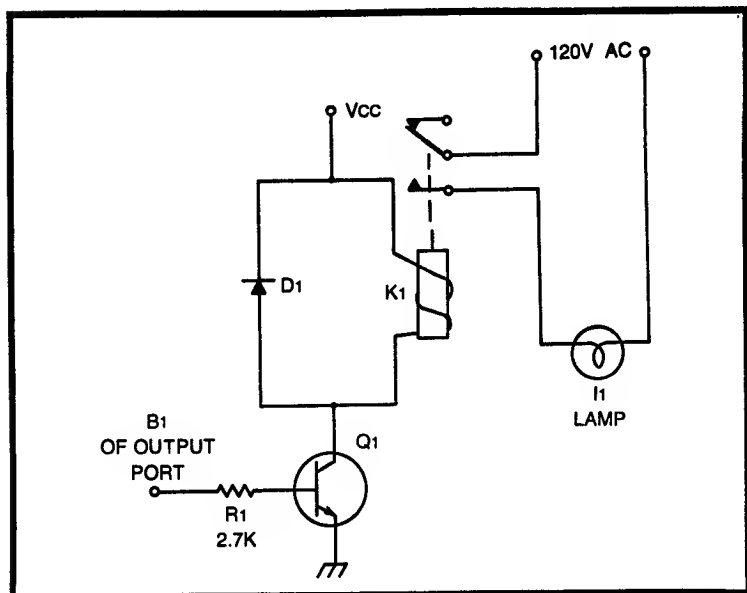


Fig. 8-1. Driving a relay-controlled 120V AC lamp circuit.

When bit 1 is low, then transistor  $Q_1$  is cut off and no current flows in the coil of relay  $K_1$ . Since  $K_1$  is deenergized, the circuit to the lamp is open and the bulb is turned off.

When bit 1 goes high, on the other hand, transistor  $Q_1$  is forward biased, so will conduct collector current. The collector of  $Q_1$ , then, goes to ground, turning on  $K_1$ .

In the energized position of  $K_1$  the contacts controlling the lamp are closed, so the lamp turns on.

Diode  $D_1$  is used to suppress voltage spikes generated by the inductive kick produced by the coil of  $K_1$ . Diode  $D_1$  can be almost any rectifier diode in the 1N4000 series. Since the spike that is generated can be quite high, only 1N4004 through 1N4007 are recommended; 1N4001 through 1N4003 have too low a peak reverse voltage (PRV) or peak inverse voltage (PIV) rating.

If you doubt the need for diode  $D_1$ , then examine the waveforms shown in Fig. 8-2. The waveform of Fig. 8-2A shows the situation when a step-function (i.e., switch turn-on)

potential is applied to  $K_1$  with  $D_1$  present and doing its job. Notice that the waveform is essentially clean.

In Fig. 8-2B, however, diode  $D_1$  has been disconnected, and that has caused a high-amplitude negative-going voltage spike at turnoff. This spike, which had been suppressed by  $D_1$ , is actually larger than shown here because the camera used to make the photograph could not write the record onto film fast enough to show the true height. Such spikes can, and frequently do, damage electronic circuitry (i. e.,  $Q_1$  is vulnerable),

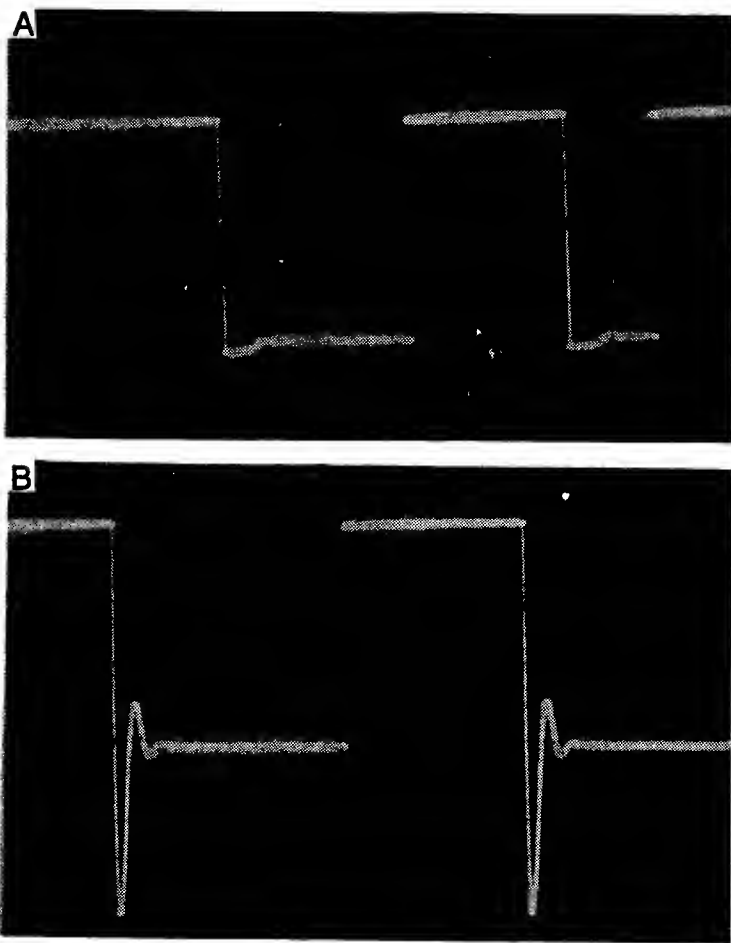


Fig. 8-2. Waveforms of circuit in Fig. 8-1. (A) Relay with diode  $D_1$ . (B) Without  $D_1$ .

and can also cause spurious pulses in digital circuitry. Even where the circuitry can absorb the pulse, there is the possibility that such a pulse will reset counters and flip-flops, or be propagated through gates, at exactly the wrong time. Experienced troubleshooters will recognize that as one of the most unnerving situations that can occur.

### **Example 8-2**

Turn on a relay, as in Example 8-1, using a logic IC instead of a driver transistor.

#### **Solution:**

Certain TTL and CMOS logic devices are designed with an open-collector bipolar output transistor, and in normal operation require a pull-up resistor between each output terminal and the +5-volt DC supply. This resistor will have a value in the 1K to 2K range. An example from the popular TTL series of devices is the 7406/7416 hex inverter. These devices are essentially the same type of IC, both being designed as relay or lamp drivers, and can connect to supplies of +15 volts and +30 volts, respectively.

To use either the 7406 or 7416, connect an appropriate relay coil between the output of one inverter section and a positive supply voltage. Otherwise, the circuit is as in Fig. 8-1.

### **Example 8-3**

Do the same job as in the two previous examples, except eliminate  $K_1$ .

#### **Solution:**

There are two approaches to this problem shown in Fig. 8-3; both use optoisolators and an SCR to control the lamp.

An optoisolator is a special IC that contains a light-emitting diode (LED) and a phototransistor configured such that the transistor is on if the LED is lighted.

An SCR (i.e., silicon-controlled rectifier) is a rectifier diode that remains turned off unless a current is injected into the gate terminal.

In the circuit of Fig. 8-3A, two 7406 inverters keep the LED in the optoisolator turned on (i.e., if the input to inverter

1 is low, then the output of inverter 2 is also low; a condition that grounds the cold side of the LED, thereby turning it on).

The LED, then, remains turned on, and that keeps the photo-transistor conducting. The collector of  $Q_1$ , therefore, remains at, or near, ground potential, and that keeps the SCR turned off.

Applying a high to the input of inverter 1 places a high on the output of inverter 2, turning off the LED; thereby turning off  $Q_1$  and turning on the SCR. When the collector voltage of  $Q_1$  goes high, a current is set up in the gate of the SCR that is sufficient to cause it to turn on.

Once gated on, an SCR will remain on until the anode-cathode current drops below a certain critical threshold, or holding, current. In the circuit of Fig. 8-3A, commutation of the SCR is done manually, by opening switch  $S_1$ . This arrangement allows a single pulse to start and hold the lamp in operation.

The circuit of Fig. 8-3B, on the other hand, must be continuously pulsed in order to keep the lamp turned on. As long as a pulse train is applied to the circuit, then the SCR remains in the on condition.

Diode  $D_1$  rectifies the 120-volt AC, so once every half-cycle the SCR anode-cathode current drops to zero. If the SCR gate is not excited when the next half-cycle begins, then the SCR remains turned off.

In some cases the SCR gate can be pulsed directly by the computer output port, but since 120 volts AC is involved, the isolation provided by the optoisolator is very necessary.

The SCR gate circuit in Fig. 8-3B is controlled by RC network  $R_4C_2C_3$  and diode  $D_1$ . If the LED is pulsed through the inverter, then the phototransistor is also pulsed, and these pulses appear across emitter resistor  $R_3$ .

Pulses across  $R_3$  are coupled through  $C_3$  and  $D_2$ , which charge capacitor  $C_2$ . As long as the pulses continue,  $C_2$  remains charged, which keeps the SCR gate excited. But if the pulse train ceases, then  $C_2$  discharges. The SCR will remain

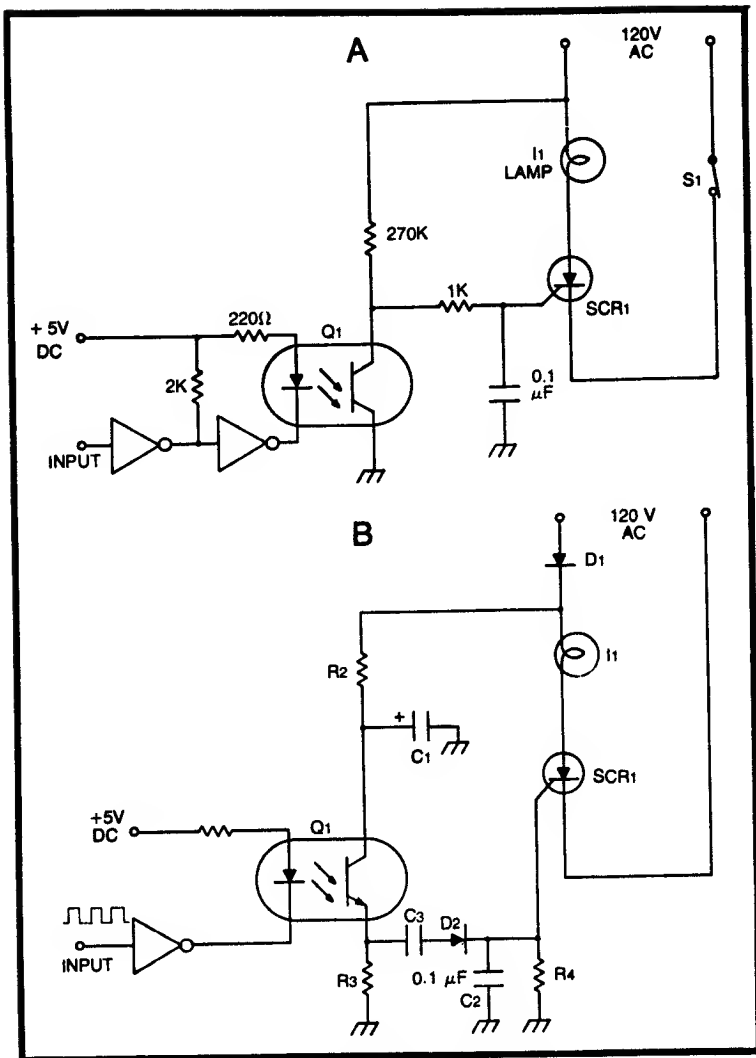


Fig. 8-3. SCR circuits. (A) Single pulse turn-on SCR circuit using optoisolator. (B) Circuit that is input "turn-offable."

turned off after the first zero-current half-wave cycle that the gate voltage is below the turn-on threshold.

#### Example 8-4

Turn on a motor if, and only if, the binary code on an output port is 01100111.

**Solution:**

All of the circuits discussed thus far can be used to turn on a motor, although be careful of SCR circuits (use a full-wave SCR, or *triac*); only selective decoding from the computer output port is needed.

Previously, a single bit was used to turn on the circuit, but in this example an entire output port is needed. Selective decoding can be done using an eight-input NAND gate and any needed inverters. Figure 8-4 shows how an eight-bit address decoder can be built from a 7430 eight-input NAND gate and an inverter.

A TTL NAND gate output will remain high if any of the eight input lines are low. To make a 7430 output high requires a code of 11111111.

But the desired code is 01100111, so we must invert bits 4, 5, and 8 (see Fig. 8-4). If this is done as shown, then the 7430 output will drop low when the code 01100111 appears on the input.

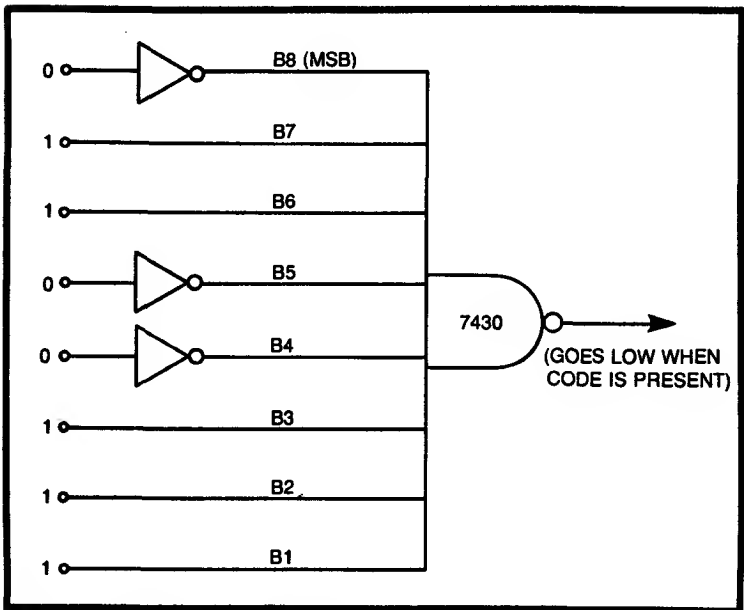


Fig. 8-4. Selective address decoder.

This technique is used whenever you want to use a single output port to control several devices, each of which is assigned its own unique code. The eight-bit parallel lines can be bussed together, and only the device addressed will respond.

### **Example 8-5**

Perform the same job as in Example 8-4, except that now we require a means for the computer to verify that the desired action has taken place.

### **Solution:**

A computer can verify the action using only one bit of an input port, provided that an appropriate transducer or other indicator is used.

The verification can be provided, with varying degrees of reliability, by any of the following: relay contact closures; detection of the output state of a gate, driver, or inverter; a tachometer ganged to the shaft of the motor (see Chapters 1 and 2).

The relay used to turn on a motor can be specified to have one more contact pair than is otherwise necessary. These can be connected to a +5-volt DC source through a pull-up resistor and ground, such that a high is applied to an input port when the relay is energized. This scheme does not give an absolute indication of motor operation, but only that the relay has been energized and is telling the motor to operate. A defective motor would not be detected by this method. It is, however, very low cost.

Detection of the output state of one of the inverters or drivers can also yield the data but, again, it is possible for the command to be given, yet the motor be defective. This condition is not detected by this method.

The use of a tachometer on the motor shaft is the most reliable method for detection of motor operation. This device will produce a DC or AC (most common) output that can be detected by an appropriate electronic circuit and used to tell the computer that the motor has indeed started. Since the frequency of the AC tachometer, and amplitude of the DC

type, is proportional to motor speed, then it is also possible to use these devices in a feedback control circuit.

Other related problems can be similarly solved, with the constraint that a suitable transducer be provided.

A furnace controller, for example, ignites the flame in a burner. A photoresistor or phototransistor looking into the spy-flame hole will detect whether or not the flame is actually turned on. The output of the detector could then be fed to a TTL output comparator such as the LM311 or the Precision Monolithics, Inc., CMP-01 and CMP-02. The comparator output will then serve to tell the computer that the flame is on.

Other transducers that provide a voltage output can be similarly applied to a comparator to supply verification.

Thus far, all of our applications have involved step-function control; that is, a device is either on or off. A continuously variable control circuit is possible if a digital-to-analog converter is used. For information on those circuits the reader is referred to Chapters 10, 11, and 13.

## CONTROLLING SMALL DC MOTORS

Many control system projects require the use of a small, fractional horsepower DC motor as the prime mover. These can be used in several ways: on-off or continuously variable, in either closed-loop or open-loop configurations.

Turning a motor on and off is the most trivial problem and is an example of a simple open-loop system. The definition of an open-loop system is that there is no controlling negative feedback; the output causes no effects at the input.

Any of the methods used for AC loads earlier in this chapter will also work for DC motors, but we can also use a regular power transistor to control the motor (see Fig. 8-5).

Transistor  $Q_1$  in Fig. 8-5 serves as a driver for  $Q_2$ . If  $Q_1$  is a 2N3053, and  $Q_2$  is a 2N3055, then motors drawing up to 8 or 10 amperes can be accommodated by this circuit. We do not want to drive the 2N3055 directly from the output port of a computer because the transistor may not have sufficient *beta* to drive the



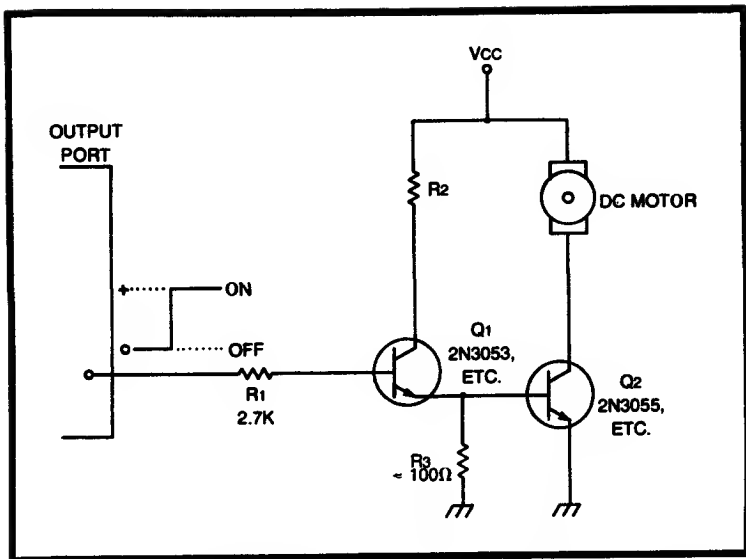


Fig. 8-5. Controlling DC motors through the use of power transistors in an open-loop system.

motor to full output with the current levels typically available from TTL output ports.

For the TTL compatible output port, i.e., those with +5 volts, the value of  $R_1$  shown will suffice. Scale  $R_2$  is proportional to the level of  $V_{cc}$ . The operation of this circuit is as follows:

1. A low on the output port turns off both  $Q_1$  and  $Q_2$ , so nothing happens.
2. A high on the output port bit used to control this circuit forward biases  $Q_1$  to saturation, making the voltage at its emitter high. This condition turns on  $Q_2$ .
3.  $Q_2$  is now forward biased to saturation, so turns on the motor. (Note: Resistor  $R_3$  must have a value that limits the current flow in the base of  $Q_2$  to a safe value.)

In an open-loop control system the motor would simply turn on and off by command from the input, i.e. the computer. In a closed-loop system, on the other hand, the motor control commands can be modified by data received from the action of the motor. Consider the example of Fig. 8-6. Here we are using a DC motor to lift a load

suspended from a rope from height  $Y_0$  to  $Y_1$ . A precision multiturn potentiometer is ganged to the motor shaft, possibly through a gear train, so that it is, in effect, a position transducer (see Chapter 2).

Voltage  $E$  at the output of the potentiometer represents the height of the load ( $Y$ ), and is a fraction of  $E_{REF}$  proportional to that height:

$$E = 0 \text{ at } Y_0 \quad (8-1)$$

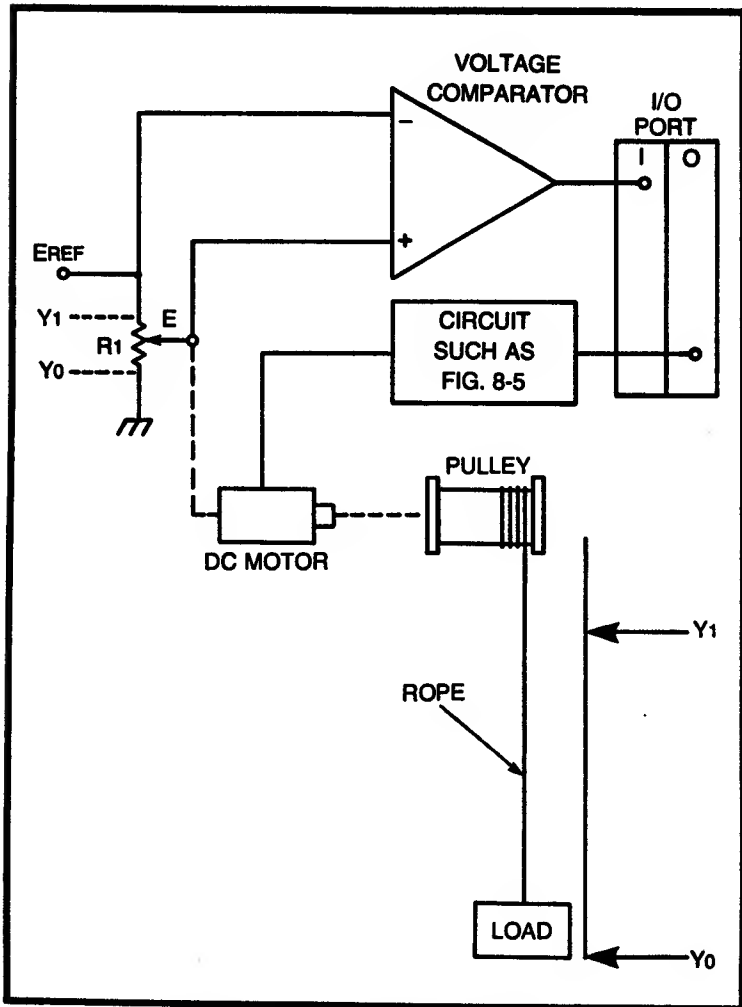


Fig. 8-6. A closed-loop system of controlling a DC motor.

$$E = E_{REF} \text{ at } Y_1 \quad (8-2)$$

$$E = E_{REF} (Y - Y_0)/(Y_1 - Y_0) \quad (8-3)$$

Both  $E$  and  $E_{REF}$  are connected to an operational amplifier voltage comparator that will produce an output level according to the following rules:

| <b>Condition</b> | <b>Comparator Output</b> |       |
|------------------|--------------------------|-------|
| $E = E_{REF}$    | Low                      | (8-4) |
| $E > E_{REF}$    | High                     | (8-5) |

The comparator output is connected to a single bit of the computer input port, while the motor is connected through a circuit such as Fig. 8-5 to a single bit of the computer output port.

The idea here is to write a program into the computer that will turn on the motor by setting the control bit of the output port high, then periodically test the  $Y_1$  position-indicating bit of the input port for a high condition. As long as that bit of the input port remains low, then the program keeps the motor running. But when a high is detected, indicating that the load is at position  $Y_1$ , then the program resets the output port bit to low, thereby turning off the motor. This circuit is considered trivial for several reasons, not the least of which is the fact that the load cannot be lowered once it has reached the high position. Of course, another bit may be wired to a relay driver. If the relay is connected in the classic DPDT double-cross or  $X$  circuit, then the computer will be able to reverse the motor. In that case the reverse from the above protocol will indicate when the load has returned to  $Y_0$ . The relay method is, however, too inelegant—tacky even. In a section that follows we will discuss an electronic motor reversal circuit that does not need archaic devices such as electromechanical relays.

The circuit in Fig. 8-6 could be used for such applications as automatic flag pole or window raiser. It suffers from the inability to recognize more than two states, i.e.,  $Y_0$  and  $Y_1$ . But what if you do not want your window open all of the way, or you want to mourn the passing of a national hero by running the flag to half-mast? In that case you will need a circuit that can be trained to recognize positions between the extremes.

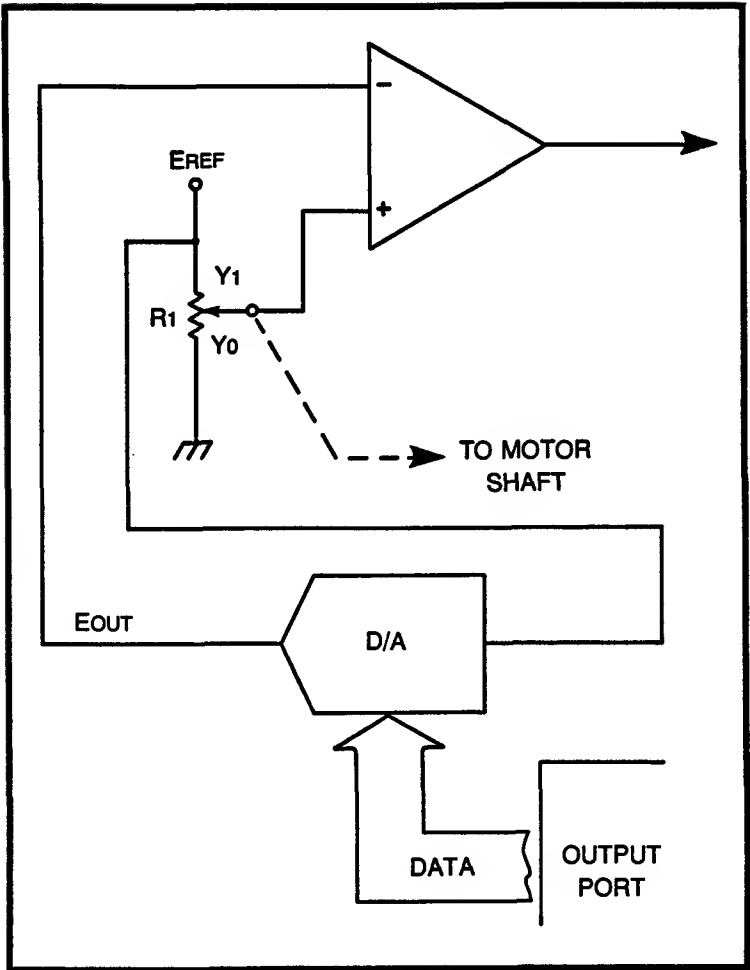


Fig. 8-7. A modified version of the circuit in Fig. 8-6 that recognizes more than two conditions.

Figure 8-7 shows a modification of the original circuit that will allow the computer to dictate height  $Y$  at which the motor stops turning. Voltage  $E_{REF}$  is still applied to the position potentiometer as before, but only a fraction of  $E_{REF}$  is applied to the comparator. You will learn in Chapter 10 that the output voltage from a D/A converter is

$$E_{OUT} = \frac{A}{2^n} \times E_{REF} \quad (8-6)$$

where  $E_{OUT}$  is the D/A converter output potential,  $E_{REF}$  is the reference voltage,  $n$  is the number of bits at the D/A converter's digital inputs (usually eight in microcomputer systems), and  $A$  is the value of the digital word applied to the D/A converter input.

### Example 8-6

Find the output voltage from an 8-bit D/A converter if  $E_{REF}$  is 10.00 volts and  $A$  is  $10000000_2$ . (Note:  $10000000_2 = 128_{10}$ ).

**Solution:**

$$E_{OUT} = \frac{(128)(10.00V)}{2^8} \quad (\text{from Eq. 8-6})$$

$$E_{OUT} = \frac{(128)(10.00V)}{(256)} = 5.00V$$

Since  $Y$  is proportional to  $E$  and a fraction of  $E_{REF}$ , and  $E_{OUT}$  is also a fraction of  $E_{REF}$ , we can set the height at which the comparator output goes low (telling the computer to halt the motor), by setting  $A$  in Eq. 8-6.

$$Y_1 = 255/256 \quad (8-7)$$

$$Y = A/256 \quad (8-8)$$

$$Y_0 = 0/256 \quad (8-9)$$

Note that some D/A converters can give bipolar output voltages. They will produce a negative or positive output potential depending upon the digital code applied to the inputs. This feature opens up both the possibility of the controlling motor direction and speed.

Figure 8-8 shows the type of motor drive amplifier required to electronically reverse the motor. This circuit is based on the complementary symmetry circuit used in high-fidelity amplifiers. Note that bipolar,  $V_{CC}(+)$  and  $V_{CC}(-)$ , power supplies are required for this circuit to operate properly.

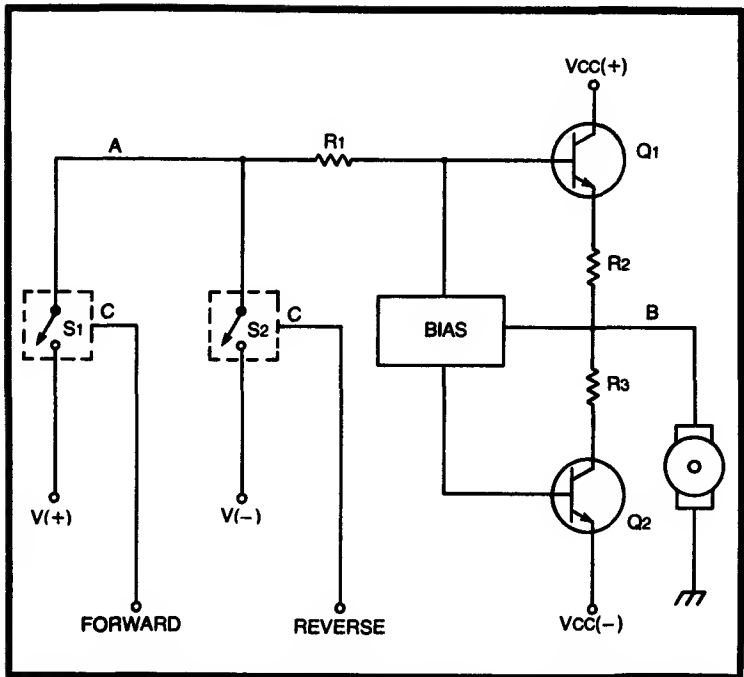


Fig. 8-8. Continuously variable motor control through the use of CMOS electronic switches.

A positive potential applied to the input, i.e., point *A* in Fig. 8-8, will reverse bias transistor  $Q_2$  and forward bias transistor  $Q_1$ , making the potential applied to the motor (i.e., point *B*) positive.

To reverse the motor's direction of rotation it is necessary to reverse the polarity at point *B*. This is done by applying a negative potential to point *A*. In that case,  $Q_1$  is reverse biased and  $Q_2$  is forward biased.

In the example of Fig. 8-8 we have used CMOS electronic switches such as the 4016 and 4066 to supply positive and negative inputs on command. The positive input is connected when the control line from  $S_1$  is high, while the negative potential is applied if the control input of  $S_2$  is made high.

Continuously variable motor speed control is available if the output of a D/A converter is applied to point *A* in Fig. 8-8 instead of a  $V(+)$  or  $V(-)$  source. If the D/A converter is a bipolar type, then

both speed and direction of rotation can be dictated by the digital command from a computer output port.

Figure 8-9 shows analog and digital versions of a continuously controlled servomechanism using a DC motor. This circuit uses negative-feedback control techniques. Any such system can be described by the equation

$$\frac{E_{\text{OUT}}}{E_{\text{IN}}} = \frac{H}{1 + HB} \quad (8-10)$$

where  $E_{\text{OUT}}$  is the output voltage,  $E_{\text{IN}}$  is the input in voltage,  $H$  is the gain of the forward path, and  $B$  is the gain of the feedback loop.

In the examples of Fig. 8-9 the value of  $H$  is the gain of the servo amplifier, while  $B$  is unity (there is neither gain nor attenuation in the feedback loop).

The analog version of the circuit is constructed of operational amplifiers and power transistors. The summer is merely a multiple input operational amplifier stage such as an inverting follower with more than one input source. If only two inputs are needed to produce a difference signal, as in Fig. 8-9A, then a simple DC differential amplifier (Fig. 3-5) will suffice.

The motor is driven by the output of the servo amplifier  $E_M$ . This voltage,  $E_M$ , is the product of the servo amplifier gain  $A_V$  and error voltage  $E_E$ ,

$$E_M = A_V E_E \quad (8-11)$$

and  $E_E$  is the difference between the position signal  $E_P$  from the transducer and the control signal  $E_C$  that indicates what the position should be.  $E_C$  can be supplied from a computer-controlled D/A converter.

$$E_E = E_C - E_P \quad (8-12)$$

so,

$$E_M = A_V (E_C - E_P) \quad (8-13)$$

If the position is correct, then  $E_C = E_P$ , so, by Eq. 8-13,  $E_M$  is zero—the motor is turned off. But if  $E_C \neq E_P$ , then the motor is turned on. Since the motor is a DC type, its operating speed is a

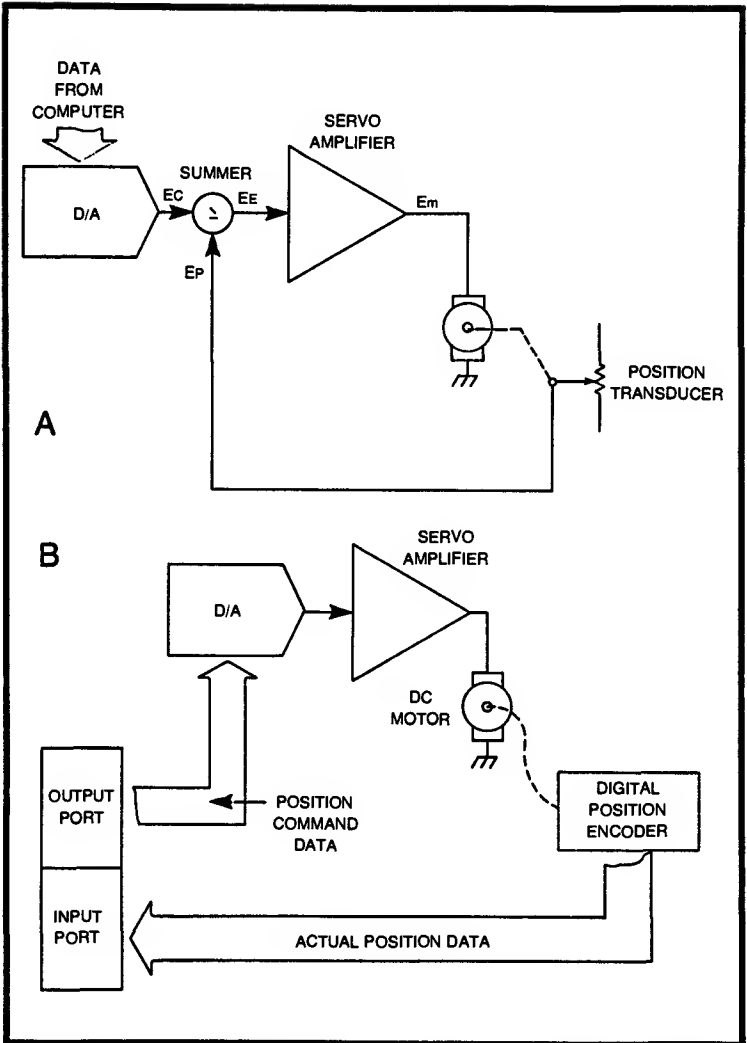


Fig. 8-9. Continuously controlled servomechanism. (A) Analog method. (B) Digital method.

function of  $E_m$ . Clearly, then, the greater the difference between the actual and correct positions, the greater the value of  $E_m$ , so the faster the motor speed.

The speed of response is set by the amplification or gain of the system, and by the frequency response. If the signal tends to be



overcritically damped, i.e., too sluggish, increase the frequency response of the system. But if it is undercritically damped, i.e., it overshoots, then reduce the frequency response of the system.

A digital version is shown in Fig. 8-9B. In this case the position transducer is shown as a block because it may be a potentiometer and A/D converter, or it can be one of the digitally encoded transducers of Chapter 2.

In the digital version the comparison between the actual and correct position data is made in software. In an eight-bit system there are 256 different states to represent position points. The computer compares the eight-bit word indicating actual position with the eight-bit word indicating correct position by performing a binary subtraction that is analogous to Eq. 8-12. Both of these systems are essentially self-regulating.

# Chapter 9

## Digital Codes

---

Digital electronic circuits, and that includes the digital computer as well as less complex circuits, only recognize two different voltage levels, designated in most treatments as logic 1 and logic 0. But before the machine can be used to process intelligence, a code must be arranged that will represent numbers, characters, and other symbols.

### STRAIGHT BINARY CODE

The two voltage levels recognized by computers can be called bits (short for binary digits), and can assume values of only 1 and 0. A two-state system can only represent two different things, which in the case of numbers are the quantities *one* and *zero*. To represent higher numbers we must resort to a weighted number system of binary numbers.

A weighted system is one in which a digit's position in a string of digits gives it added value. We are already familiar with the concept of weighted number systems in the form of our ordinary decimal (base-10) number system from everyday life. For example, the number 234 is actually a shorthand method of writing a quantity in a weighted form. In this type of notation each decimal digit can assume any of ten different values, 0 through 9, and its position gives it additional value. In any weighted system the digit is multiplied by the

radix raised to an integer power. The radix of the decimal system is ten, so the positional weighting scheme is:

$$10^n + 10^{n-1} + \dots + 10^3 + 10^2 + 10^1 + 10^0$$

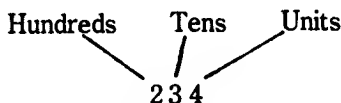
So our example of the number 234 is actually a representation of

$$= (2 \times 10^2) + (3 \times 10^1) + (4 \times 10^0)$$

$$= 200 + 30 + 4$$

$$= 234_{10}$$

Elementary school arithmetic teachers tell us that the weighting system is:



In the binary number system we are dealing with base 2, which is just like base 10 if you are missing eight fingers. The radix of the binary system is, then, two, so the weighting scheme is of the form:

$$2^n + 2^{n-1} + \dots + 2^3 + 2^2 + 2^1 + 2^0$$

and each digit can only be 1 or 0. As an example consider the binary number 11001:

$$= (1 \times 2^4) + (1 \times 2^3) + (0 \times 2^2) + (0 \times 2^1) + (1 \times 2^0)$$

$$= 16 + 8 + 0 + 0 + 1$$

$$= 25_{10}$$

(Note: When dealing with different number systems in the same text it is good practice to denote which is meant by a subscripted radix. This means that  $25_{10}$  indicates that we are dealing with the decimal number twenty-five. This is  $11001_2$  in binary. The difference between binary and decimal is usually such that few errors would be made, but at a few critical junctures problems arise. For example, does  $11_{10} = 11_2$ ? No, in base-10  $11$  means eleven, while in base-2  $11$  means three.)

In any positional numbers system with  $n$  digits, the maximum number of different things that can be represented is  $r^n$ , where  $r$  is the radix. The highest quantity that can be represented is  $r^{n-1}$  because zero is a thing. In eight-digit decimal, for example, there are  $10^8$  different combinations (100,000,000), but the highest quantity that can be represented is the number obtained when all eight digits are 9s, in other words 99,999,999. In the binary system, again using eight digits, the number of different things that can be represented (including zero) is  $2^8$ , or 256. The highest number, though, exists when all eight digits are 1s, which is  $11111111_2$  or  $255_{10}$ .

## TWOS COMPLEMENT

A number system related to the binary system is the complement number system. The complement, also called ones complement, of any binary number is a number made up to have exactly the opposite binary digits. In other words, all the 1s are made 0s, and all 0s are made 1s.

The complement of binary 1 is 0, and the complement of binary 0 is 1.

| Number | Complement |
|--------|------------|
| 1      | 0          |
| 0      | 1          |

The ones complement of a binary number is formed by complementing each bit of the binary number. To form this, change all of the ones to zeros, and all of the zeros to ones.

### Example 9-1

Form the ones complement of  $11001_2$ .

**Solution:**

Binary number      1 1 0 0 1

Ones complement    0 0 1 1 0

To find the twos complement of a number it is necessary to first find the ones complement, then add 1 to the least significant digit.

**Example 9-2**Find the twos complement of  $11001_2$ .**Solution:**

|                 |   |
|-----------------|---|
| Binary number   | 1 1 0 0 1   |
|                 | $\downarrow \downarrow \downarrow \downarrow \downarrow$  |
| Ones complement | 0 0 1 1 0   |
| Add 1           | $\begin{array}{r} \phantom{00110} \\ \phantom{00110} + 1 \\ \hline \phantom{00110} \end{array}$ |
| Twos complement | 0 0 1 1 1   |

Many people believe that binary addition is easier than decimal addition even though the decimal version is known by rote to most adults, and is exactly the same process conceptually. The rules for binary addition are:

$$0 + 0 = 0$$

$$1 + 0 = 1$$

$$0 + 1 = 1$$

$$1 + 1 = 0 \text{ plus carry } 1$$

**Example 9-3**Add  $01001_2$  to  $01110_2$ .**Solution:**

$$\begin{array}{r}
 \phantom{+} 0 \overset{1}{\uparrow} 1 0 0 1 \\
 + 0 1 1 1 0 \\
 \hline
 1 0 1 1 1
 \end{array}$$

**Example 9-4**Add  $00001_2$  to  $01001_2$ .**Solution:**

$$\begin{array}{r}
 \phantom{+} 0 \ 1 \ 0 \ 0 \overset{1}{0} \ 1 \\
 + 0 \ 0 \ 0 \ 0 \ 0 \ 1 \\
 \hline
 0 \ 1 \ 0 \ 1 \ 0 \ 0
 \end{array}$$

It is possible to subtract in binary in the same manner as for decimal numbers, namely instead of carrying a 1 to the next higher order digit, we borrow 1 from the next higher order position. The rules for binary subtraction are:

$$0 - 0 = 0$$

$$0 - 1 = 1 \text{ borrow } 1$$

$$1 - 0 = 0$$

$$1 - 1 = 0$$

Digital circuits that add are very easy to build, but subtractors are a little harder to achieve. To overcome this problem computers often perform subtraction in twos complement. If we add the twos complement of a number it is the same as if we had subtracted the number itself.

**Example 9-5**Subtract  $000110_2$  from  $001110_2$ . ( $6_{10}$  from  $14_{10}$ ).**Solution:**

This problem is expressed by:

$$\begin{array}{r}
 0 \ 0 \ 1 \ 1 \ 1 \ 0_2 \\
 - 0 \ 0 \ 0 \ 1 \ 1 \ 0_2 \\
 \hline
 ?
 \end{array}
 \qquad \text{and} \qquad
 \begin{array}{r}
 14_{10} \\
 -6_{10} \\
 \hline
 8_{10}
 \end{array}$$

The procedure is to form the twos complement of the subtrahend and add it to the minuend.

1. Form the twos complement of the subtrahend.

|                 |       |   |   |   |     |   |
|-----------------|-------|---|---|---|-----|---|
| Subtrahend      | 0     | 0 | 0 | 1 | 1   | 0 |
|                 | ↓     | ↓ | ↓ | ↓ | ↓   | ↓ |
| Ones complement | 1     | 1 | 1 | 0 | 0   | 1 |
| Add 1           |       |   |   |   | + 1 |   |
|                 | ————— |   |   |   |     |   |
| Twos complement | 1     | 1 | 1 | 0 | 1   | 0 |

2. Add the twos complement of the subtrahend to the minuend.

|                               |       |   |   |   |   |   |
|-------------------------------|-------|---|---|---|---|---|
| Minuend                       | 0     | 0 | 1 | 1 | 1 | 0 |
|                               | ↑     | ↑ | ↑ | ↑ |   |   |
| Twos complement of subtrahend | + 1   | 1 | 1 | 0 | 1 | 0 |
|                               | ————— |   |   |   |   |   |
| Carry                         | 1 ←   | 0 | 0 | 1 | 0 | 0 |

Note that  $001000_2$  is the same as  $8_{10}$ , so is the correct answer.

The circuitry required to form the twos complement consists of an inverter for each bit and a full adder to add the 1 to the complemented (i.e., inverted) binary number representing the subtrahend.

## DIVISION & MULTIPLICATION

The rules for binary division are:

$$1/1 = 1$$

$$0/1 = 0$$

$$1/0 = (\text{illegal operation})$$

The rules for binary multiplication are:

$$0 \times 0 = 0$$

$$1 \times 0 = 0$$

$$0 \times 1 = 0$$

$$1 \times 1 = 1$$

and the procedure is the same as for decimal multiplication.

**Example 9-6**

Multiply  $0101_2(5_{10})$  by  $011_2(3_{10})$ .

**Solution:**

$$\begin{array}{r} 0101 \\ \times 011 \\ \hline 0101 \\ 0101 \\ 0000 \\ \hline 001111_2 \end{array}$$

Note that  $1111_2 = 15_{10}$ .

**Example 9-7**

Divide  $011110_2(30_{10})$  by  $0110_2(6_{10})$ .

**Solution:**

$$\begin{array}{r} 000101 \\ 0110 \overline{)011110} \\ \underline{0110} \\ 000110 \\ \underline{000110} \\ 000000 \end{array}$$

## NUMBER SYSTEM CONVERSION

Numbers from any system can be converted to any other system if a suitable method is provided. The method that follows will convert numbers from any number to decimal form:

1. Write down the number being converted.
2. Multiply the most significant digit (left most) by the radix of the number.



3. Add the result of step 2 to the next most significant digit.
4. Repeat this process until no further digits are left. The result is the final answer.

### Example 9-8

Convert  $1101101_2$  to decimal form.

#### Solution:

|         |                          |                     |
|---------|--------------------------|---------------------|
| 1101101 | Multiply MSD by radix    | $1 \times 2 = 2$    |
| 1101101 | Add result to next digit | $2 + 1 = 3$         |
|         | Multiply result by radix | $3 \times 2 = 6$    |
| 1101101 | Add result to next digit | $6 + 0 = 6$         |
|         | Multiply result by radix | $6 \times 2 = 12$   |
| 1101101 | Add result to next digit | $12 + 1 = 13$       |
|         | Multiply result by radix | $13 \times 2 = 26$  |
| 1101101 | Add result to next digit | $26 + 1 = 27$       |
|         | Multiply result by radix | $27 \times 2 = 54$  |
| 1101101 | Add result to next digit | $54 + 0 = 54$       |
|         | Multiply result by radix | $54 \times 2 = 108$ |
| 1101101 | Add result to next digit | $108 + 1 = 109$     |
|         | Final result             | 109                 |

## OCTAL & HEXADECIMAL NUMBERS

The octal number system has a radix of 8, and is a weighted system of the form:

$$8^n + 8^{n+1} + \dots + 8^3 + 8^2 + 8^1 + 8^0$$

There are only eight permissible digits, namely 0, 1, 2, 3, 4, 5, 6, and 7. Formation of octal numbers greater than seven is through use of weighted notation in a manner much like decimal. In fact, a noted comedian once said, "base 8 is like base 10...if you are missing two fingers."

### Example 9-9

What is the decimal equivalent of  $247_8$ ?

**Solution:**

$$\begin{aligned}
247_8 &= (2 \times 8^2) + (4 \times 8^1) + (7 \times 8^0) \\
&= (2 \times 64) + (4 \times 8) + (7 \times 1) \\
&\quad \times 128_{10} + 32_{10} + 7_{10} \\
&= 167_{10}
\end{aligned}$$

The same technique used in the binary conversion will also work to convert octal to decimal. In the example given:

$$\begin{aligned}
&2\ 4\ 7_8 \\
&2 \times 8 = 16 \\
&16 + 4 = 20 \\
&20 \times 8 = 160 \\
&160 + 7 = 167_{10}
\end{aligned}$$

The hexadecimal (hex) number system has a radix of sixteen, and there are sixteen permissible digits. The first ten are the 0 through 9 of the decimal system, while the latter six are letters of the alphabet.

| Decimal | Hex | Decimal | Hex |
|---------|-----|---------|-----|
| 0       | 0   | 8       | 8   |
| 1       | 1   | 9       | 9   |
| 2       | 2   | 10      | A   |
| 3       | 3   | 11      | B   |
| 4       | 4   | 12      | C   |
| 5       | 5   | 13      | D   |
| 6       | 6   | 14      | E   |
| 7       | 7   | 15      | F   |

**Example 9-10**

Find the decimal equivalent value of  $8F4_{16}$

**Solution:**

$$\begin{aligned}
8F4_{16} &= (8 \times 16^2) + (F \times 16^1) + (4 \times 16^0) \\
&= (8 \times 256) + (15 \times 16) + (4 \times 1) \\
&= 2048_{10} + 240_{10} + 4_{10} \\
&= 2292_{10}
\end{aligned}$$

And by the technique given earlier:

$8F4$

$$\begin{array}{ll}
8 \times 16 = 128 & 143 \times 16 = 2288 \\
128 + F = 143 & 2288 + 4 = 2292_{10}
\end{array}$$

Most machine language microcomputer programs are written in either hex or octal. Most of these machines have an eight-bit data format. Hexadecimal digits can be represented by four-bit binary words, namely:

| Hex | 4-Bit Binary | Hex | 4-Bit Binary |
|-----|--------------|-----|--------------|
| 0   | 0000         | 8   | 1000         |
| 1   | 0001         | 9   | 1001         |
| 2   | 0010         | A   | 1010         |
| 3   | 0011         | B   | 1011         |
| 4   | 0100         | C   | 1100         |
| 5   | 0101         | D   | 1101         |
| 6   | 0110         | E   | 1110         |
| 7   | 0111         | F   | 1111         |

The eight-bit binary word used by the computer is often represented by two hexadecimal digits. For example:

| Binary Code | Hex Representation |
|-------------|--------------------|
| 11010001    | D1                 |
| 10011101    | 9D                 |
| 11001001    | C9                 |

In the case of the first example, 11010001, the binary word is broken into two portions, 1101 and 0001. From the table above, 1101<sub>2</sub> is the same as D<sub>16</sub>, and 0001<sub>2</sub> is the same as 1<sub>16</sub>, so by combining terms, D1 represents 11010001.

## BINARY-CODED DECIMAL

Binary-coded decimal (BCD) is a method for representing the ten decimal digits (0, 1, 2, 3, 4, 5, 6, 7, 8, and 9) in a four-bit binary format:

| Decimal | BCD  | Decimal | BCD  |
|---------|------|---------|------|
| 0       | 0000 | 5       | 0101 |
| 1       | 0001 | 6       | 0110 |
| 2       | 0010 | 7       | 0111 |
| 3       | 0011 | 8       | 1000 |
| 4       | 0100 | 9       | 1001 |

BCD words are grouped in the same manner as regular decimal digits, so a word's actual value is determined by its position in a power-of-ten system. For example:

| Decimal | BCD            |
|---------|----------------|
| 3       | 0011           |
| 32      | 0011 0010      |
| 324     | 0011 0010 0100 |

The BCD system is used most often in circuits requiring a numerical output display, such as in frequency counters, digital panel meters, clocks, and scientific instruments.

Several integrated circuits exist which convert BCD to a code used by certain display devices such as Nixie tubes and seven-segment readouts.

### EXCESS-3 CODE

Excess-3 code is formed by adding binary  $3_{10}$  ( $011_2$ ) to BCD numbers. Namely;

| Decimal | BCD  | Excess-3 Code |
|---------|------|---------------|
| 0       | 0000 | 0011          |
| 1       | 0001 | 0100          |
| 2       | 0010 | 0101          |
| 3       | 0011 | 0110          |
| 4       | 0100 | 0111          |
| 5       | 0101 | 1000          |
| 6       | 0110 | 1001          |
| 7       | 0111 | 1010          |
| 8       | 1000 | 1011          |
| 9       | 1001 | 1100          |

Excess-3 code is used to make digital subtraction in BCD a little easier. Recall that we often use complement arithmetic with binary digits. But when the binary word is a BCD character this would result in a disallowed bit pattern on occasion that is not recognizable as a BCD character.

### GRAY CODE

Shaft encoders and certain applications work best if the binary code generated changes only one bit at a time, for each change of state. An example of such a code is the Gray code.

| Decimal | Binary | Gray Code |
|---------|--------|-----------|
| 0       | 0000   | 0000      |
| 1       | 0001   | 0001      |
| 2       | 0010   | 0011      |
| 3       | 0011   | 0010      |
| 4       | 0100   | 0110      |
| 5       | 0101   | 0111      |
| 6       | 0110   | 0101      |
| 7       | 0111   | 0100      |
| 8       | 1000   | 1100      |
| 9       | 1001   | 1101      |
| 10      | 1010   | 1111      |

## ALPHANUMERIC CODES

There are several different standard codes used to represent alphabetic or numeric characters. It is important to distinguish between representations of a numeric *quantity* and a coded expression of the *character* representing that quantity. Consider, for example, the number  $8_{10}$  ( $1000_2$ ). In one standard alphanumeric code the character 8 is represented by seven-bit binary word 0111000. The seven-bit binary word representing the quantity eight is 0001000. Clearly, if you were to attempt to use the *character* representation in an arithmetic operation, or the *quantity* representation in an attempt at creating a display output, the outcome would not be anything like what was expected. In this particular situation the character representation (0111000) mistakenly used to perform arithmetic would mean not  $8_{10}$  but  $56_{10}$ . Similarly, in the alphanumeric code being used in this example the quantity representation (0001000) is used as a machine control function (i.e., on a teletypewriter or CRT terminal) known as *horizontal tab*.

Now that we have hopefully cleared up the difference between binary numbers and the binary representation of characters let us proceed to describe some of the more common codes.

## BAUDOT CODE

One of the earliest machine codes was the Baudot. It was used on most earlier teletype machines, although it has now been largely

supplanted by another, more modern code. One will still find Baudot machines used, however, even in commercial service. Amateur radio operators who favor RTTY communications, and computer hobbyists looking for a low-cost hard-copy printer have kept them popular on the surplus market. (*Note:* This code is used with teletypewriters, so will have a regular keyboard and a keyboard with the shift key pressed in the same manner as a typewriter has lower-case letters in the regular keyboard and CAPITALS ON THE SHIFTED KEYBOARD.)

#### Baudot Code

| B5 | B4 | B3 | B2 | B1 | Regular   | Shifted   |
|----|----|----|----|----|-----------|-----------|
| 0  | 0  | 0  | 0  | 0  | Blank     | Blank     |
| 0  | 0  | 0  | 0  | 1  | E         | 3         |
| 0  | 0  | 0  | 1  | 0  | linefeed  | linefeed  |
| 0  | 0  | 0  | 1  | 1  | A         | -         |
| 0  | 0  | 1  | 0  | 0  | space     | space     |
| 0  | 0  | 1  | 0  | 1  | S         | Bell      |
| 0  | 0  | 1  | 1  | 0  | I         | 8         |
| 0  | 0  | 1  | 1  | 1  | U         | 7         |
| 0  | 1  | 0  | 0  | 0  | Car. Ret. | Car. Ret. |
| 0  | 1  | 0  | 0  | 1  | D         | \$        |
| 0  | 1  | 0  | 1  | 0  | R         | 4         |
| 0  | 1  | 0  | 1  | 1  | J         | '         |
| 0  | 1  | 1  | 0  | 0  | N         | ,         |
| 0  | 1  | 1  | 0  | 1  | F         | !         |
| 0  | 1  | 1  | 1  | 0  | C         | :         |
| 0  | 1  | 1  | 1  | 1  | K         | (         |
| 1  | 0  | 0  | 0  | 0  | T         | 5         |
| 1  | 0  | 0  | 0  | 1  | Z         | "         |
| 1  | 0  | 0  | 1  | 0  | L         | )         |
| 1  | 0  | 0  | 1  | 1  | W         | 2         |
| 1  | 0  | 1  | 0  | 0  | H         | #         |
| 1  | 0  | 1  | 0  | 1  | Y         | 6         |

### Baudot Code

| B5 | B4 | B3 | B2 | B1 | Regular   | Shifted   |
|----|----|----|----|----|-----------|-----------|
| 1  | 0  | 1  | 1  | 0  | P         | 0         |
| 1  | 0  | 1  | 1  | 1  | Q         | 1         |
| 1  | 1  | 0  | 0  | 0  | O         | 9         |
| 1  | 1  | 0  | 0  | 1  | B         | ?         |
| 1  | 1  | 0  | 1  | 0  | G         | &         |
| 1  | 1  | 0  | 1  | 1  | (figures) | (figures) |
| 1  | 1  | 1  | 0  | 0  | M         | .         |
| 1  | 1  | 1  | 0  | 1  | X         | /         |
| 1  | 1  | 1  | 1  | 0  | V         | ;         |
| 1  | 1  | 1  | 1  | 1  | (letters) | (letters) |

The Baudot codes uses five bits, so is only capable of 32 (i.e., 2<sup>5</sup>) different characters. A shift control, much like that on the typewriter, allows another 32 different characters, although not all are used on any given machine. In fact, one of the jobs facing the person who wishes to decode an unfamiliar teletypewriter is to find out which of numerous variations on the fundamental code are used in the particular machine.

### ASCII

The American Standard Code for Information Interchange (ASCII) is the code most often used on computer keyboards, especially those intended for hobbyist uses. It is a seven-bit code, plus an eight bit that is sometimes used as a parity indicator, but most often as a strobe to tell the computer that the data is stable and ready for use.

Since ASCII is a seven-bit code it is possible to represent a total of 128 (i.e., 2<sup>7</sup>) different characters. In the ASCII listings to follow we use hexadecimal notation. The bit pattern for that character can be realized by converting from hex to binary. An & is given in hex as 26 so in binary would be 0010 0110, or simply 00100110.

## ASCII

| Hex Code | Meaning   | Comments                  |
|----------|-----------|---------------------------|
| 00       | NUL       | null                      |
| 01       | SOH       | start of heading          |
| 02       | STX       | start text                |
| 03       | ETX       | end text                  |
| 04       | EOT       | end of transmission       |
| 05       | ENQ       | enquiry                   |
| 06       | ACK       | acknowledgement           |
| 07       | BEL       | bell                      |
| 08       | BS        | back space                |
| 09       | HT        | horizontal tab            |
| 0A       | LF        | line feed                 |
| 0B       | VT        | vertical tab              |
| 0C       | FF        | form feed                 |
| 0D       | CR        | carriage return           |
| 0E       | SO        | shift out                 |
| 0F       | SI        | shift in                  |
| 10       | DLE       | data link escape          |
| 11       | DC1       | direct control 1          |
| 12       | DC2       | direct control 2          |
| 13       | DC3       | direct control 3          |
| 14       | DC4       | direct control 4          |
| 15       | NAK       | negative acknowledgement  |
| 16       | SYN       | synchronous idle          |
| 17       | ETB       | end of transmission block |
| 18       | CAN       | cancel                    |
| 19       | EM        | end of medium             |
| 1A       | SUB       | substitute                |
| 1B       | ESC       | escape                    |
| 1C       | FS        | form separator            |
| 1D       | GS        | group separator           |
| 1E       | RS        | record separator          |
| 1F       | US        | unit separator            |
| 20       | (special) | -                         |
| 21       | !         | -                         |
| 22       | "         | -                         |
| 23       | #         | -                         |
| 24       | \$        | -                         |
| 25       | %         | -                         |
| 26       | &         | -                         |
| 27       | '         | -                         |
| 28       | (         | -                         |
| 29       | )         | -                         |
| 2A       | *         | -                         |
| 2B       | +         | -                         |
| 2C       | ,         | -                         |
| 2D       | .         | -                         |
| 2E       | :         | -                         |
| 2F       | /         | -                         |
| 30       | 0         | -                         |
| 31       | 1         | -                         |
| 32       | 2         | -                         |
| 33       | 3         | -                         |
| 34       | 4         | -                         |
| 35       | 5         | -                         |
| 36       | 6         | -                         |
| 37       | 7         | -                         |
| 38       | 8         | -                         |
| 39       | 9         | -                         |



## ASCII

| Hex Code | Meaning | Comments |
|----------|---------|----------|
| 3A       | :       | -        |
| 3B       | :       | -        |
| 3C       | >       | -        |
| 3D       | =       | -        |
| 3E       | <       | -        |
| 3F       | ?       | -        |
| 40       | @       | -        |
| 41       | A       | -        |
| 42       | B       | -        |
| 43       | C       | -        |
| 44       | D       | -        |
| 45       | E       | -        |
| 46       | F       | -        |
| 47       | G       | -        |
| 48       | H       | -        |
| 49       | I       | -        |
| 4A       | J       | -        |
| 4B       | K       | -        |
| 4C       | L       | -        |
| 4D       | M       | -        |
| 4E       | N       | -        |
| 4F       | O       | -        |
| 50       | P       | -        |
| 51       | Q       | -        |
| 52       | R       | -        |
| 53       | S       | -        |
| 54       | T       | -        |
| 55       | U       | -        |
| 56       | V       | -        |
| 57       | W       | -        |
| 58       | X       | -        |
| 59       | Y       | -        |
| 5A       | Z       | -        |
| 5B       | [       | -        |
| 5C       | [       | -        |
| 5D       | ]       | -        |
| 5E       | ]       | -        |
| 5F       |         | -        |
| 60       | ^       | -        |
| 61       | a       | -        |
| 62       | b       | -        |
| 63       | c       | -        |
| 64       | d       | -        |
| 65       | e       | -        |
| 66       | f       | -        |
| 67       | g       | -        |
| 68       | h       | -        |
| 69       | i       | -        |
| 6A       | j       | -        |
| 6B       | k       | -        |
| 6C       | l       | -        |
| 6D       | m       | -        |
| 6E       | n       | -        |
| 6F       | o       | -        |
| 70       | p       | -        |
| 71       | q       | -        |
| 72       | r       | -        |

## ASCII

| Hex Code | Meaning | Comments |
|----------|---------|----------|
| 73       | s       | -        |
| 74       | t       | -        |
| 75       | u       | -        |
| 76       | v       | -        |
| 77       | w       | -        |
| 78       | x       | -        |
| 79       | y       | -        |
| 7A       | z       | -        |
| 7B       | {       | -        |
| 7C       |         | -        |
| 7D       | }       | -        |
| 7E       | ~       | -        |
| 7F       | DEL     | -        |

## EBCDIC

The code most often associated with IBM equipment is the Extended Binary Coded Decimal Interchange Code (EBCDIC). This code can possibly be explained best by referring to the standard Hollerith card shown in Fig. 9-1. This card was originally designed to automate the tabulation of the 1890 United States national census, but remains immensely popular even today, and is in fact one of the mainstays of the data-processing industry.

The card is divided into rows and columns. There are twelve horizontal rows and eighty vertical columns. There are also two areas on the card. The rows numbered 0 through 9 form one area, while rows 11 and 12 form the other. Punches made in rows 11 and 12 are called "zone punches."

Characters are represented by one-byte (eight-bit) binary words. For convenience in discussion we can divide the byte into two "nybbles" of four bits each. This allows us to use hexadecimal notation. The code for digits is:

| Digit | Hex Code | Digit | Hex Code |
|-------|----------|-------|----------|
| 0     | F0       | 5     | F5       |
| 1     | F1       | 6     | F6       |
| 2     | F2       | 7     | F7       |
| 3     | F3       | 8     | F8       |
| 4     | F4       | 9     | F9       |

Conversion to binary merely requires the substitution of the binary equivalents of the hexadecimal numbers. For example:

| Decimal | EBCDIC | Binary    |
|---------|--------|-----------|
| 6       | F6     | 1111 0110 |

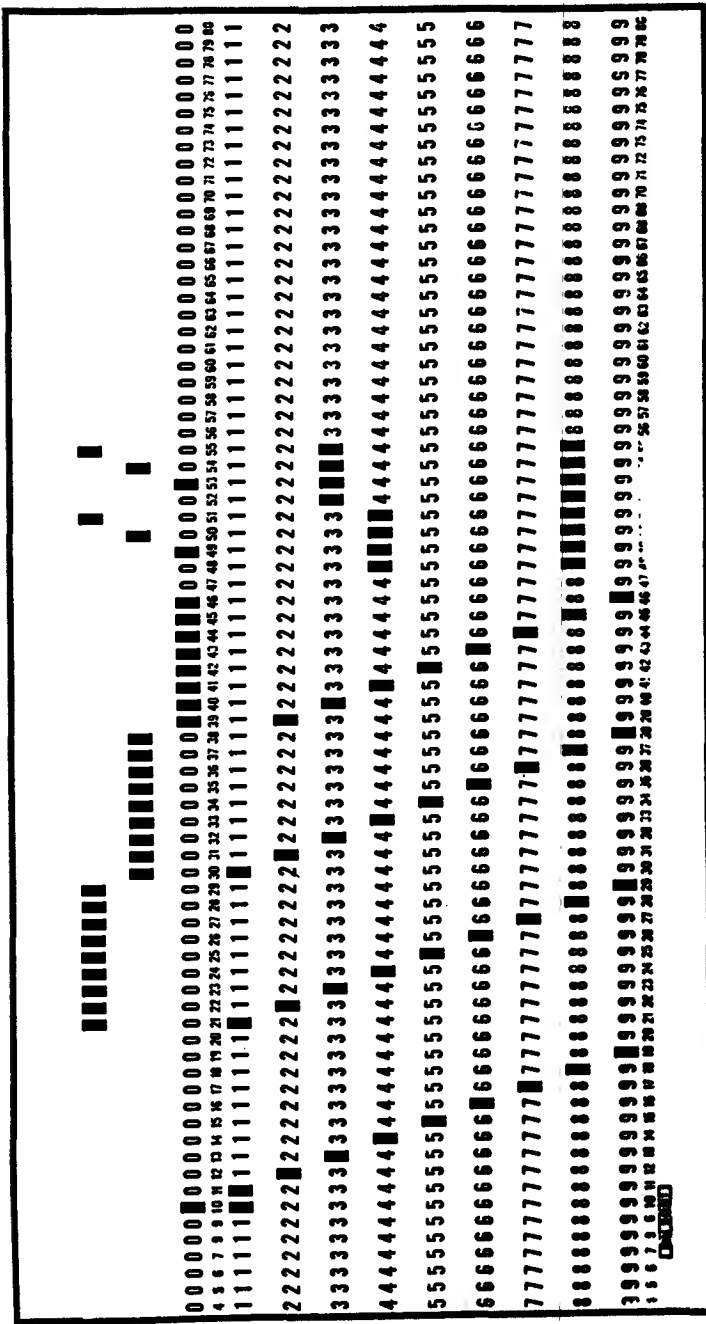


Fig. 9-1. Hollerith card character codes.

EBCDIC representation of numbers places a hexadecimal  $F_{16}$  in the most significant position, so the four most significant binary digits would be  $1111_2$ . Those positions are used when representing alphabetic characters, and indicate which third of the alphabet the letter falls in. There are twenty-six letters in our alphabet, so we can divide the alphabet roughly into thirds.

| Letter No. | 1st Third | 2nd Third | 3rd Third |
|------------|-----------|-----------|-----------|
| 1          | A         | J         | -         |
| 2          | B         | K         | S         |
| 3          | C         | L         | T         |
| 4          | D         | M         | U         |
| 5          | E         | N         | V         |
| 6          | F         | O         | W         |
| 7          | G         | P         | X         |
| 8          | H         | Q         | Y         |
| 9          | I         | R         | Z         |

Two punches are used to represent a letter on an IBM card. A zone punch indicates the third of the alphabet in which that letter appears, and the numeric punch tells us the letter number. Letters in the first third of the alphabet have a row-12 zone punch, those in the second third of the alphabet use a row-11 zone punch, while those in the last third of the alphabet have a row-0 zone punch.

The letter *D* is the fourth letter in the first third of the alphabet, so it will be represented by a row-12 zone punch and a row-4 numeric punch, *both in the same column*. The letter *N*, on the other hand, is the fifth letter in the second third of the alphabet. It is represented by a row-11 zone punch and a row-5 numeric punch.

A slight departure from the rigor of the system is noted in the last third of the alphabet. There is no row-1 punch. The first letter in this group is *S* and it is represented by a row 0 zone punch and a row-2 numeric punch. The alphanumeric portion of the EBCDIC system follows.

#### EBCDIC

| Character | Hex Code | Character | Hex Code |
|-----------|----------|-----------|----------|
| A         | C1       | K         | D2       |
| B         | C2       | L         | D3       |
| C         | C3       | M         | D4       |
| D         | C4       | N         | D5       |
| E         | C5       | O         | D6       |
| F         | C6       | P         | D7       |
| G         | C7       | Q         | D8       |
| H         | C8       | R         | D9       |
| I         | C9       | S         | E2       |
| J         | D1       | T         | E3       |

## EBCDIC

| Character | Hex Code | Character | Hex Code |
|-----------|----------|-----------|----------|
| U         | E4       | 4         | 4        |
| V         | E5       | 5         | 5        |
| W         | E6       | 6         | 6        |
| X         | E7       | 7         | 7        |
| Y         | E8       | 8         | 8        |
| Z         | E9       | 9         | 9        |
| 0         | 0        |           |          |
| 1         | 1        |           |          |
| 2         | 2        |           |          |
| 3         | 3        |           |          |

## CODE CONVERSION

There is, unfortunately, almost nothing resembling a universal standard in the microcomputer field, even in the limited application of the hobbyist field. So when you try to interface various devices, some of which are government or commercial surplus or even of dubious parentage, it may be necessary to build some sort of code conversion system or write a code conversion program. This is one of those areas in which hardware and software buffs are often at odds with each other, and both camps can offer arguments that support their particular pet solutions. Both, however, may use a table lookup procedure. In software, for example, the bit pattern for the desired code is stored in memory. When an input is received it is examined, and the location for the correct code is determined.

Electronic circuits can be constructed that do substantially the same thing. A read only memory (ROM) is programmed so that the desired code is stored in locations addressed by the input code. An example is an ASCII-to-Baudot converter, of which several dozen designs seemed to have been published in the hobby computer press. The binary representation for an input character is used to form an address in which the ROM stores the bit pattern in the other code for the same character.

Several manufacturers offer preprogrammed ROMs that convert from one code to another. National Semiconductor seems to have a particularly good selection of code converter chips.

A typical ASCII keyboard encoder is shown in Fig. 9-2. There are two basic methods for generating ASCII characters from key closures. One uses a special ROM, as shown in the figure, while the other is a timing method.

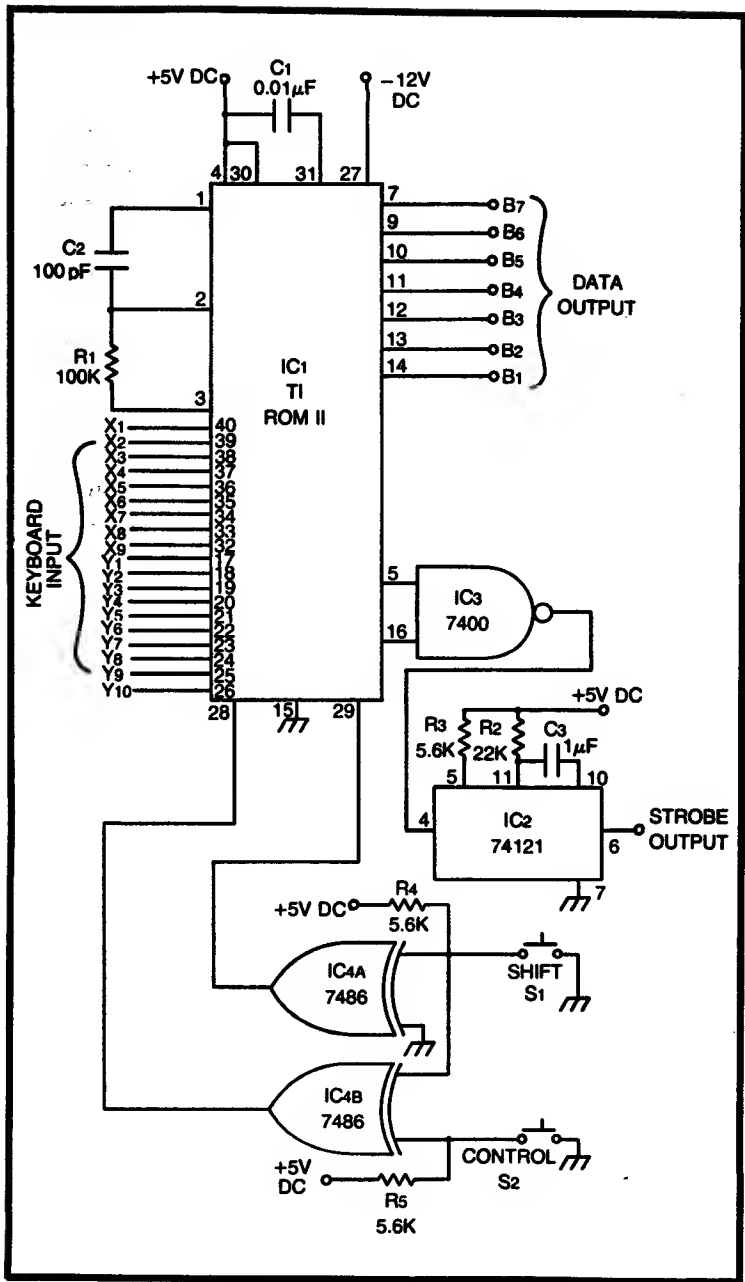


Fig. 9-2. Keyboard encoder circuit (ASCII).

The ROM is entirely self-contained and can be used without the other chips shown (several low-cost keyboards do just that), but this design is a little more elegant.

The pushbuttons are arranged in a crosspoint  $X$ - $Y$  matrix consisting of nine  $Y$  input lines and ten  $X$  lines. When a pushbutton is pressed it shorts out two lines, one from the  $X$  bank and one from the  $Y$  bank.

When the output data has settled and is ready for use, the two inputs of the NAND gate ( $IC_3$ ) will go high, making the output drop low. This triggers the monostable multivibrator ( $IC_2$ , a type 74121) to generate a 10-millisecond strobe pulse.

The computer will have a keyboard program that loops until it sees the strobe go high. At that time it will input the data on the keyboard output lines. It is standard practice to use the strobe pulse as bit 8 since ASCII requires only seven bits and most microcomputers have eight-bit input/output ports.

One must be forewarned to look closely at deals offering low-cost new or surplus keyboards in order to ascertain just what is being offered. Some cheapies are only a pushbutton matrix, and contain no electronics. Others, often offered as kits to the hobbyist market, are thrown together under the auspices of little or no decent engineering. Several are known that not only fail to deliver the proper character when a key is depressed, but will deliver one character on the downstroke of the key and another on the upstroke. The result is a double entry, and there is no assurance that either will be the correct character (sigh).

The ROM type using a keyboard encoder IC is, in my view, superior, but here again there are pitfalls when buying on the surplus market. A large number of keyboards are available at seductively low cost, but are missing the ROM. Some suppliers offer the ROM at a nominal extra charge (thereby deteriorating the rosiness of the deal), but others leave you on your own.

Wringing out an undocumented keyboard can be quite a chore, especially, after you unwrap your new acquisition, when it is noticed that the printed-circuit edge connector is unlabeled. Don't panic yet. First, if you know who made it, or which company used it in their

equipment, then apply to them for a circuit diagram. Failing that, do it the hard way.

Hopefully, the PC board will have the markings to indicate +5V DC, -5V DC, -12V DC, B1 through B7, and so forth. But failing this, look at the IC devices being used. If they bear standard 74-series TTL markings, or are the standard pin-out keyboard encoder, then the power terminals can be deciphered by looking for the corresponding pins on the IC then backtracking to the card edge connector. Similarly, if the encoder is standard, the -12-volt pin can be located and backtracked. The outputs are best found by connecting an oscilloscope, but the LED circuit of Fig. 9-3 can be used if no oscilloscope is available (it should be). Note that the output lines will have a clock pulse, or some pulse trash on it until a key is pressed. When the key is closed, the correct code will appear stable in the  $B_1$  through  $B_7$  lines. Note that a device such as Fig. 9-3 will glow dimly until the key is pressed, but when the data is stable those bits that

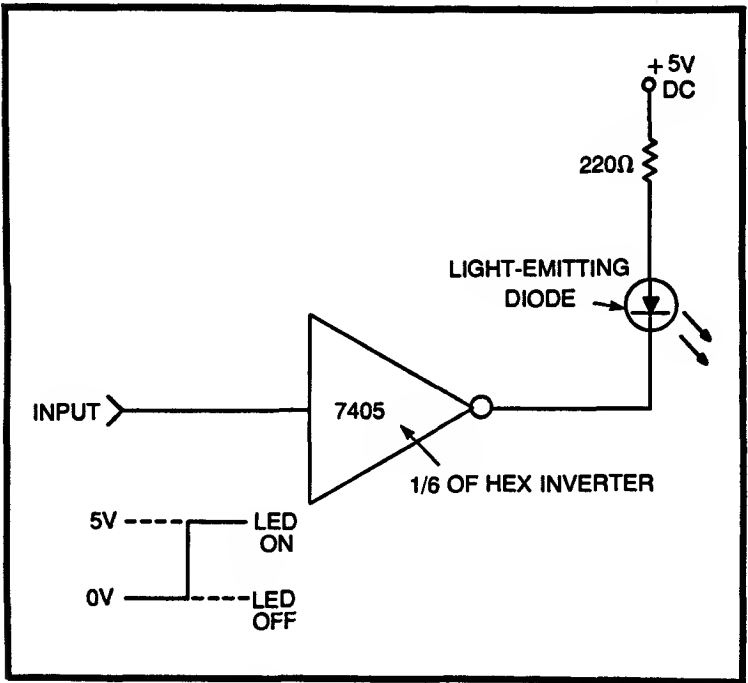


Fig. 9-3. Circuit for a simple logic probe.



**Table 9-1. Common Number Systems.**

| Decimal | Binary | BCD       | Octal | Excess-3 BCD | Hexadecimal |
|---------|--------|-----------|-------|--------------|-------------|
| 0       | 00000  | 0000      | 0     | 0011         | 0           |
| 1       | 00001  | 0001      | 1     | 0100         | 1           |
| 2       | 00010  | 0010      | 2     | 0101         | 2           |
| 3       | 00011  | 0011      | 3     | 0110         | 3           |
| 4       | 00100  | 0100      | 4     | 0111         | 4           |
| 5       | 00101  | 0101      | 5     | 1000         | 5           |
| 6       | 00110  | 0110      | 6     | 1001         | 6           |
| 7       | 00111  | 0111      | 7     | 1010         | 7           |
| 8       | 01000  | 1000      | 10    | 1011         | 8           |
| 9       | 01001  | 1001      | 11    | 1100         | 9           |
| 10      | 01010  | 0001 0000 | 12    | 0001 0011    | A           |
| 11      | 01011  | 0001 0001 | 13    | 0001 0100    | B           |
| 12      | 01100  | 0001 0010 | 14    | 0001 0101    | C           |
| 13      | 01101  | 0001 0011 | 15    | 0001 0110    | D           |
| 14      | 01110  | 0001 0100 | 16    | 0001 0111    | E           |
| 15      | 01111  | 0001 0101 | 17    | 0001 1000    | F           |
| 16      | 10000  | 0001 0110 | 20    | 0001 1100    | 10          |

should be *zero* go out, and those that should be *one* go to full brilliance.

Refer to Table 9-1 for a comparison of some of the more common number systems.

## Chapter 10

# Basics of Data Conversion

---

Digital computers cannot directly deal with analog input signals, nor can they directly drive analog output devices. Some sort of interface must be provided that converts the analog input to a digital word that can be handled by the computer; another type of circuit is required to convert a digital word at a computer output port to an analog current or voltage required to turn on a relay or drive a motor, or that represents some quantity to be displayed on a chart recorder or oscilloscope.

The job of converting analog signals to digital words is performed by an analog-to-digital (A/D) converter, while the inverse job is performed by another circuit called a digital-to-analog (D/A) converter.

Some people believe that the use of a computer, or any of several other digital circuits, is *de facto* evidence of higher accuracy and great precision. This belief is not necessarily justified. One is, perhaps, reminded of the person who will use a battered old wooden yardstick to measure the dimensions of a rectangle, then multiply the results together on a ten-digit calculator to find the area. This procedure results in a multidigit answer, but the wise person will know that only a very few digits out of the ten will be accurate. The remaining digits are not significant at all. Only the fool will use and possibly act on information out to the last decimal point (sigh).

In digital computers the maximum resolution is dependent upon the length of the basic computer word. A typical eight-bit microcomputer can only recognize  $2^8$  or 256 different states, of which one is zero (00000000). One implication of this is that an analog input signal can only be resolved to levels of  $E/256$ . If better resolution is needed in any given application, then a longer word length (i.e., ten, twelve, or sixteen bits) will be needed. One alternative is to use double-length computer words to increase precision. Two successive bytes of eight bits each can be used to represent the output of a sixteen-bit A/D converter.

## SAMPLED DATA

Analog signals can be plotted as in Fig. 10-1A to have continuous range and continuous domain. This is the type of signal ordinarily available from analog electronic circuits and many scientific instruments.

The same signal can also be represented in *sampled* form as in Fig. 10-1B. In this case the range (i.e., volts) is continuous but the domain is discrete. That is to say only specific values of time are allowed.

There is an error inherent in the representation of Fig. 10-1B, but this error can be reduced to a negligible point by taking a sufficiently large number of samples (about which, more later).

Figure 10-2 shows an example of a *digitized* analog data signal. In this case we are dealing with a three-bit digital word, so there are  $2^3$  discrete output levels, or eight levels. The range values (vertical axis) are only allowed to assume certain specific, discrete, levels; namely, the binary digits representing decimal numbers 0 through 7. These are used to represent input voltage from 0 to 7 volts.

The steps between discrete levels are all equal, and are symbolized in Fig. 10-2 by the letter  $Q$ . Midway between each analog level is a decision point above which the next higher code is used, and below which the next lower code is appropriate. This means, for example, that all analog voltages between 3.5 volts and 4.5 volts are represented by the digital word 100, the code for 4.0 volts. We have an error that varies between limits of  $-\frac{1}{2}Q$  and  $+\frac{1}{2}Q$ , with the error being zero only where the code is absolutely correct. This situation

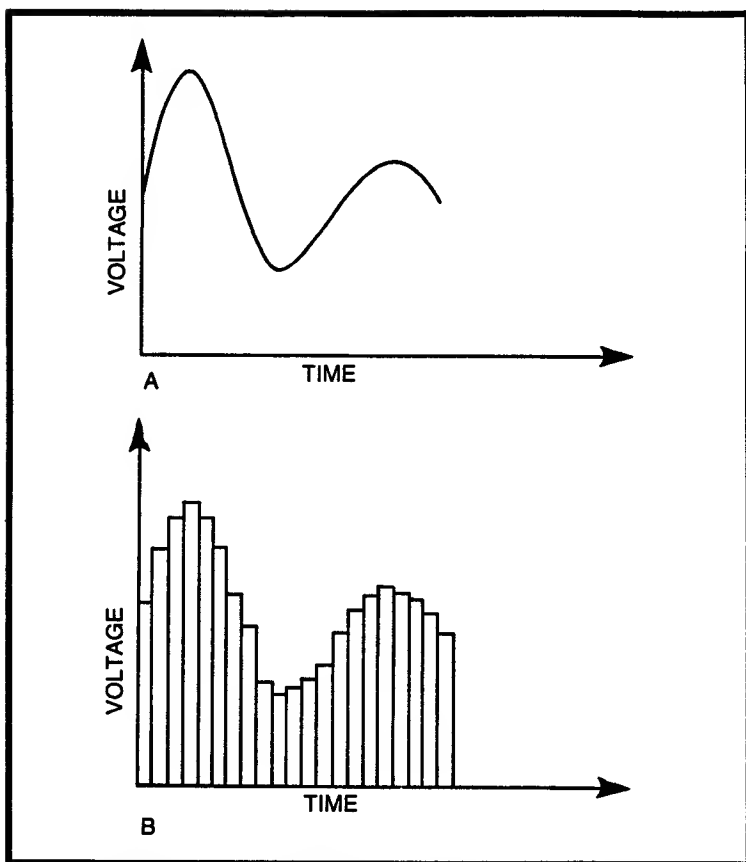


Fig. 10-1. Data conversion. (A) Continuous analog function (continuous range and domain). (B) Sampled analog signal (continuous range, discrete domain).

is obtained only when the analog input voltage is exactly the same as the coded representation.

Again we have a situation where the encoding error can be quite large unless an adequate number of samples are taken. For the scheme of Fig. 10-2 we have only three data bits, so by the  $2^n - 1$  rule we have only seven decision levels. Since the full-scale analog voltage ( $E_{FS}$ ) is 7.0 volts, we have a resolution of

$$\text{res} = E_{FS}/(2^n - 1) \quad (10.1)$$

$$\text{res} = 7 \text{ volts}/7 \quad (10.2)$$

$$\text{res} = 1 \text{ volt} \quad (10.3)$$

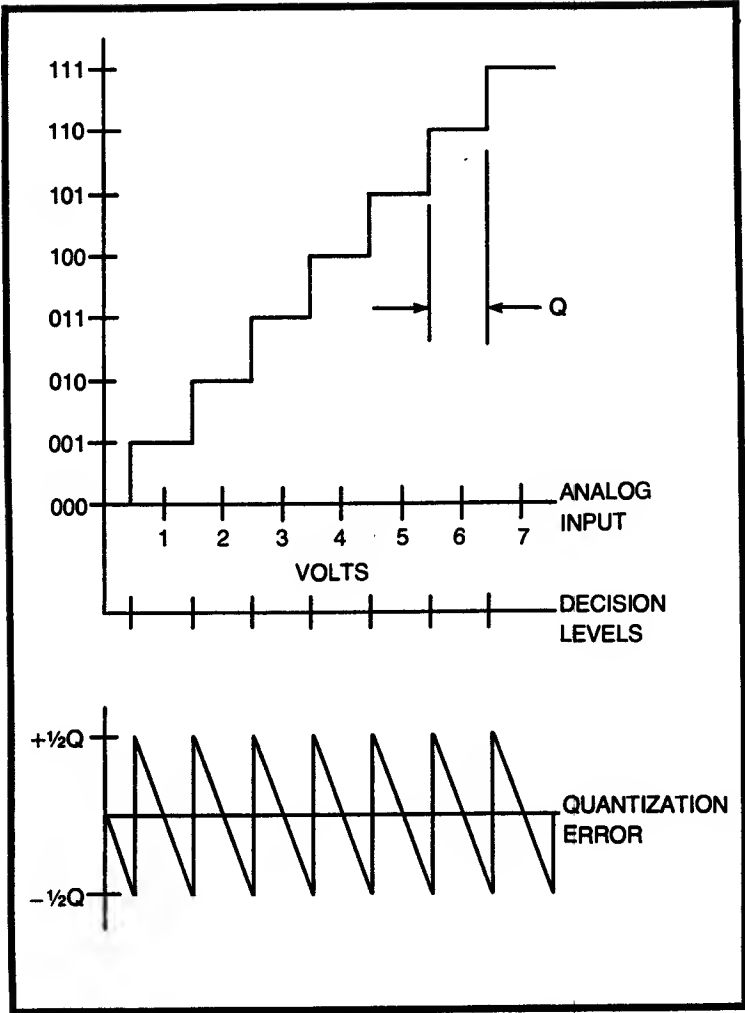


Fig. 10-2. Digitized analog signal (discrete range and domain).

If an eight-bit word, common in microcomputers, were used to represent 0 volts, then the resolution would be:

$$\text{res} = E_{FS}/(2^n - 1) \tag{10.4}$$

$$\text{res} = 7 \text{ volts}/(2^8 - 1) \tag{10.5}$$

$$\text{res} = 7 \text{ volts}/255 \tag{10.6}$$

$$\text{res} = 0.027 \text{ volts} \tag{10.7}$$

Clearly, the more bits used in any given situation, the better the resolution that is possible. There is, of course, a limit to the practical resolution, but in general the more the better.

When we digitize an analog signal so that it can be processed in a computer it is quantized in both range and domain. The range of permissible digital values, as shown in Fig. 10-2, is quantized, but so is time. We only sample the signal at specific times. Accurate representation of the input waveform is dependent upon the number of bits making up the digital word and the sampling rate (how many times per second a sample is taken).

Nyquist's theorem requires the sampling rate to be not less than *twice* the highest frequency component of the input waveform. Recall that all nonsinusoidal waveforms can be represented by a Fourier series of sines, cosines, and their respective coefficients that give information as to phase and amplitude. The frequency used to set the sampling rate of a given waveform is the frequency of the highest significant Fourier component. A waveform might have a fundamental frequency of, say, 10 hertz. But if there are steep leading and trailing edges there might easily be Fourier components out to some frequency in the 200- to 1000-hertz range. The sampling rate must be *twice* the frequency of the highest significant Fourier frequency component.

Every reading from an A/D converter is subject to another type of error resulting from the time required to make the conversion. Although different A/D converters require different conversion times, none will do the job in zero time. If the input signal changes any significant amount during this period an error will result (see Fig. 10-3). If  $dT$  represents the conversion time of the A/D converter, then there is an uncertainty in the final measurement of

$$\Delta E = dE \Delta t/dt \quad (10.8)$$

## D/A BASICS

A digital-to-analog (D/A) converter is a device that converts a digital word at its input to an analog voltage or current at its output that is proportional to that word. The D/A converter is actually a

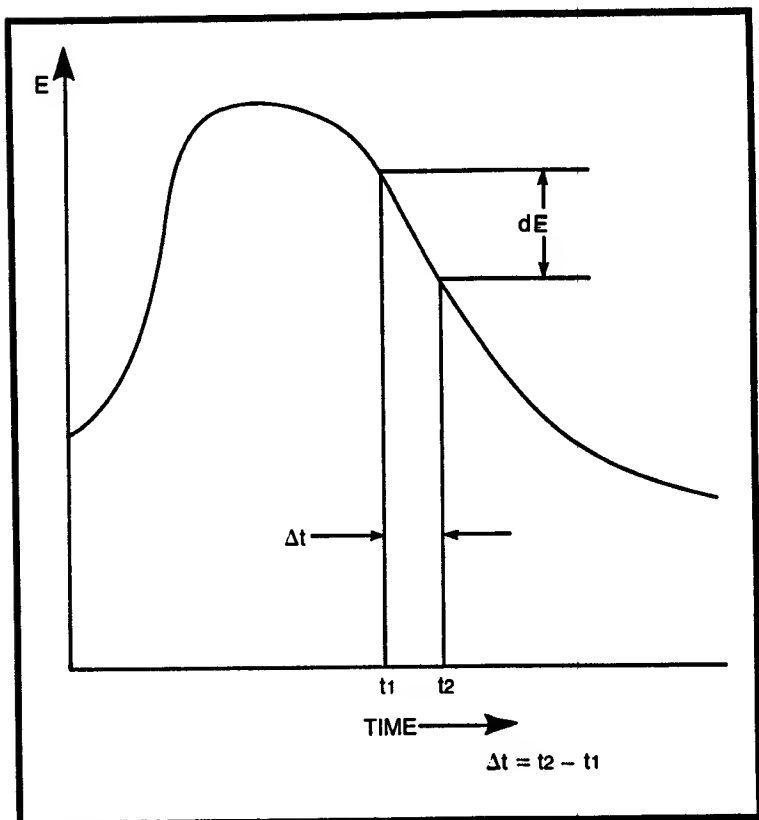


Fig. 10-3. One form of conversion error.

form of multiplier circuit, so has the following transfer function:

$$F = A \times B \quad (10.9)$$

where  $F$  is the output voltage or current function,  $A$  is the digital input value, and  $B$  is the analog reference value. In most cases the output function,  $F$ , is proportional to a fractional part of the reference because digital function  $A$  is itself fractional.

Let us take as an example the Precision Monolithics, Inc., type DAC-08. It is an eight-bit device that has an external reference current, and produces an analog output current. The transfer function is:

$$I_{OUT} = (A/256) \times I_{REF} \quad (10.10)$$

where  $I_{OUT}$  is the output current,  $I_{REF}$  is the reference current in the same units as  $I_{OUT}$ , and  $A$  is the value of the digital eight-bit word applied to the input. Notice that in this case the digital word function is a fraction equal to  $A/2^n$ , or  $A/256$ . A half-scale word (10000000) would, then, produce an output current of  $128/256$  times the reference.

### Example 10-1

Find the output current at full-scale output when  $I_{REF}$  is 2 milliamperes. (Note: full-scale output is  $2^n - 1$ .)

**Solution:**

$$I_{OUT} = (2^n - 1)/256 \times 2 \text{ mA} \quad (10.11)$$

$$I_{OUT} = (255/256) \times 2 \text{ mA} \quad (10.12)$$

$$I_{OUT} = 1.992 \text{ mA} \quad (10.13)$$

Most D/A converters use a current summation technique to perform the conversion. The two most common methods are the binary resistor ladder and the  $R$ - $2R$  resistor ladder.

Figure 10-4 shows an example of a binary resistor ladder type of D/A converter. Since amplifier  $A_1$  is an operational amplifier, we know that

$$-I_F = I_0 \quad (10.14)$$

and that,

$$E_{OUT} = -I_0 R_F \quad (10.15)$$

but,

$$I_0 = I_1 + I_2 + I_3 + \dots + I_n \quad (10.16)$$

$$I_0 = \sum_{i=1}^n \frac{E_{REF}}{R_i} \quad (10.17)$$

We make the circuit of Fig. 10-4 into a genuine D/A converter by giving the resistors  $R_1$  through  $R_n$  binary weights, namely, (letting  $R_F = R_1 = R$ )

$$\begin{aligned} R_1 &= R \\ R_2 &= 2R \\ R_3 &= 4R \end{aligned}$$



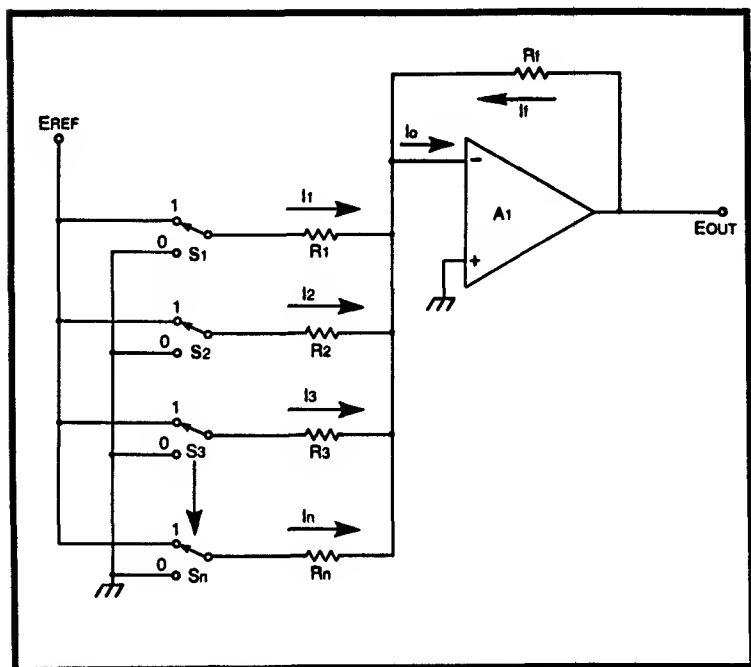


Fig. 10-4. Resistor ladder D/A converter (binary weighted resistor values).

⋮

$$R_n = 2^{n-1}R$$

In the converter of Fig. 10-4, SPDT switches  $S_1$  through  $S_n$  are connected to the reference voltage, and represent the bits of the input word. A logic level 1 exists when a switch is connected to  $E_{REF}$ , and a logic level 0 exists when the switch is connected to ground. Let us assume a four-bit circuit at full-scale output:

$$E_{OUT} = RE_{REF} (1/R_1 + 1/R_2 + 1/R_3 + 1/R_4) \quad (10.18)$$

$$E_{OUT} = RE_{REF}(1/R + 1/2R + 1/4R + 1/8R) \quad (10.19)$$

$$E_{OUT} = E_{REF}(1 + 1/2 + 1/4 + 1/8) \quad (10.20)$$

$$E_{OUT} = 1.875E_{REF} \quad (10.21)$$

If  $n$  is greater than about five we can claim that

$$R_{IN} = 1/2R \quad (10.22)$$

From the basic operational amplifier inverting follower transfer function we know that

$$E_{OUT}/E_{REF} = -R_F/R_{IN} \quad (10.23)$$

$$E_{OUT}/E_{REF} = -R_F/(R/2) \quad (10.24A)$$

$$E_{OUT}/E_{REF} = -2R_F/R \quad (10.24B)$$

To find practical values for  $R_F$  we set  $E_{OUT}$  to its full-scale (FS) value, and solve Eq. 10.24B for  $R_F$ , which results in:

$$R_F = (E_{OUT(FS)}/E_{REF}) \times R/2 \quad (10.25)$$

### Example 10-2

Assume that the reference voltage is precisely 10.00 volts, and that we want a full-scale output of 2.56 volts. Find the value of  $R_F$  if  $R = 10K$ .

**Solution:**

By Eq. 10.25:

$$R_F = (2.56 \text{ volts}/10 \text{ volts}) \times (1/2 \times 10^4 \text{ ohms}) \quad (10.26)$$

$$R_F = 1.28 \times 10^3 \text{ ohms} \quad (10.27)$$

$$R_F = 1280 \text{ ohms} \quad (10.28)$$

### Example 10-3

An eight-bit D/A converter has the word 11010011 at its input lines. If the reference is 10 volts, and the full-scale output voltage is 2.56 volts, what is the actual output voltage? Assume that  $R_F$  is 1.28K and that  $R$  is 10K (as in the previous example).

**Solution:**

The output is given by the transfer equation:

$$E_{OUT} = \frac{R_F E_{REF}}{R} \times \left( \frac{B_1}{1} + \frac{B_2}{2} + \frac{B_3}{4} + \frac{B_4}{8} + \frac{B_5}{16} + \frac{B_6}{32} + \frac{B_7}{64} + \frac{B_8}{128} \right) \quad (10.29)$$

where  $B_1$  through  $B_8$  are either 1 or 0 depending upon the bit value. In this particular example the binary word is 11010011, so

|       |       |       |       |       |       |       |       |
|-------|-------|-------|-------|-------|-------|-------|-------|
| $B_1$ | $B_2$ | $B_3$ | $B_4$ | $B_5$ | $B_6$ | $B_7$ | $B_8$ |
| 1     | 1     | 0     | 1     | 0     | 0     | 1     | 1     |

Eq. 10.29 then, will become:

$$E_{OUT} = \frac{(1.28 \times 10^3)(10)}{10^4} \times$$

$$(1 + 1/2 + 0 + 1/8 + 0 + 0 + 1/64 + 1/128)$$

$$E_{OUT} = 1.28(1.648) \quad (10.31)$$

$$E_{OUT} = 2.11 \text{ volts} \quad (10.32)$$

Another way to write Eq. 10.29 is

$$E_{OUT} = \frac{R_F E_{REF}}{2^{n-1} R} \sum_{i=1}^n 2^{n-i} B_i \quad (10.33)$$

or for the eight-bit case,

$$E_{OUT} = \frac{R_F E_{REF}}{128R} \sum_{i=1}^8 2^{8-i} B_i \quad (10.34)$$

and if  $R_F = R/2$ ,

$$E_{OUT} = \frac{R_F E_{REF}}{256R} \sum_{i=1}^8 2^{8-i} B_i \quad (10.35)$$

$$E_{OUT} = \frac{E_{REF}}{256} \sum_{i=1}^8 2^{8-i} B_i \quad (10.36)$$

Two problems present themselves when actually trying to build a binary resistor ladder D/A converter. First, it is difficult to obtain resistors in precise power of two multiples of the basic  $R$  value. Second, when more than eight or ten bits are used the currents in the summing network for the low-order bits become very low. For example, if the reference voltage is 10 volts DC and  $r = 10K$ , then  $I_1$  will be 0.001 ampere, or 1 milliamper. The current produced by  $B_8$  is then only 7.8 microamperes,  $B_9$  is 3.9 microamperes,  $B_{10}$  is 1.9 microamperes, and so forth. These low-level currents cannot be handled in a low-to-moderate .cost operational amplifier. The need for premium-grade devices make the cost higher.

Figure 10-5 shows a better method for implementing a D/A converter using an  $R$ - $2R$  resistor ladder method. The output voltage is given by

$$E_{OUT} = \frac{R_L}{2^n(R_L + R)} \sum_{i=1}^n E_{B_i} \cdot 2^{i-1} \quad (10.37)$$

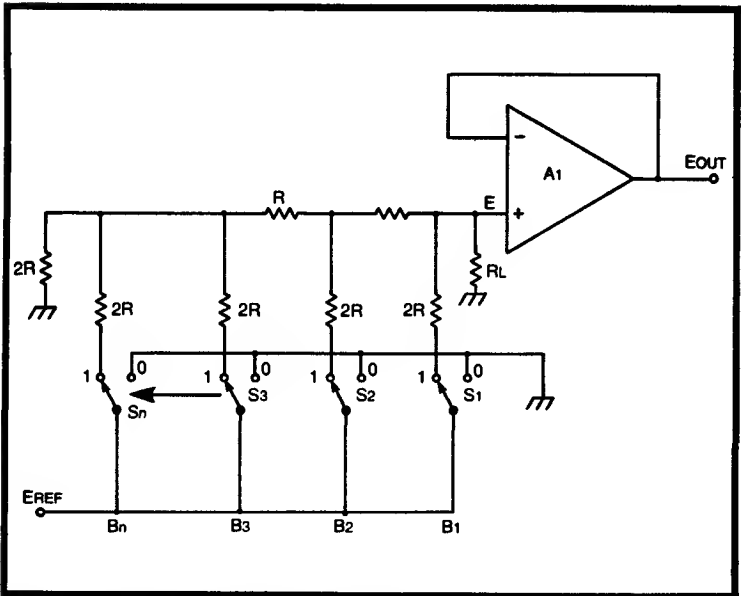


Fig. 10-5.  $R$ - $2R$  resistor ladder D/A converter.

The term  $R_L/[2^n(R_L + R)]$  represents a scale factor determined by the number of bits and the load resistance. The summation term represents the value of the digital word applied to the D/A converter input lines.

If amplifier  $A_1$  is a high-grade operational amplifier with a very high input resistance relative to the value of  $R$ , we can rewrite in the form:

$$E_{OUT} = \frac{1}{2^n} \sum_{i=1}^n E_{B(n-i)} 2^{i-1} \quad (10.38)$$

#### Example 10-4

Find  $E_{OUT}$  if a four-bit converter has the word 0110 at the input, and  $E_{REF}$  is 10.00 volts DC.

**Solution:**

$$E_{OUT} = \frac{1}{2^4} \sum_{i=1}^4 E_{B(4-i)} 2^{i-1} \quad (10.39)$$

$$(1/16)[E_{B3}(2^0) + E_{B2}(2^1) + E_{B1}(2^2) + E_{B0}(2^3)] \quad (10.40)$$

$E_{Bi}$  will be  $E_{REF}$  when the bit is *one* and 0 volts when the bit value is *zero*, so  $B_3 = 0$ ,  $B_2 = 1$ ,  $B_1 = 1$ , and  $B_0 = 0$ .

$$E_{OUT} = (1/16)(0 + 2^1 E_{REF} + 2^2 E_{REF} + 0) \quad (10.41)$$

$$E_{OUT} = (1/16)(2E_{REF} + 4E_{REF}) \quad (10.42)$$

$$E_{OUT} = (6/16)E_{REF} \quad (10.43)$$

$$E_{OUT} = (6/16)(10.00 \text{ volts}) \quad (10.44)$$

$$E_{OUT} = 3.75 \text{ volts} \quad (10.45)$$

Equation 10.46 gives the equation ordinarily given as a D/A converter transfer function, assuming that amplifier  $A_1$  has unity gain. If an inverting follower operational amplifier circuit is used, then assume that  $R_{IN} = R_F = R$ .

$$E_{OUT} = E_{REF} \left( \frac{C_1}{2^1} + \frac{C_2}{2^2} + \frac{C_3}{2^3} + \dots + \frac{C_n}{2^n} \right) \quad (10.46)$$

where  $C_1$  through  $C_n$  will be 0 when the corresponding bit is *zero* and 1 when the corresponding bit is *one*.

### Example 10-5

$E_{REF}$  is 10.0 volts, and the eight-bit input word is 01101010. Find  $E_{OUT}$ .

**Solution:**

$$E_{OUT} = (10)$$

$$\left( \frac{0}{2^1} + \frac{1}{2^2} + \frac{1}{2^3} + \frac{0}{2^4} + \frac{1}{2^5} + \frac{0}{2^6} + \frac{1}{2^7} + \frac{0}{2^8} \right) \quad (10.47)$$

$$E_{OUT} = (10) \left( \frac{1}{4} + \frac{1}{8} + \frac{1}{32} + \frac{1}{128} + \frac{1}{256} \right) \quad (10.48)$$

$$E_{OUT} = 10/4 + 10/8 + 10/32 + 10/128 + 10/256 \quad (10.49)$$

$$E_{OUT} = 4.18 \text{ volts} \quad (10.50)$$

## A/D BASICS

There are a number of methods for performing an analog-to-digital conversion, but most of them actually fall into only a few different classes. We will consider integration, voltage-to-frequency, parallel, binary counter (also called servo or ramp), and the successive-approximation methods.

### Integration Methods

A block diagram to a dual-slope integrator A/D converter is shown in Fig. 10-6A. It consists of an input control switch, a refer-

ence source, an operational amplifier integrator, a comparator, a clock driven binary counter, and a control logic section that ties the whole thing together.

Switch  $S_1$  is shown here as an ordinary switch, but in actual dual slope integrators it would be a CMOS electronic switch.

A pulse applied to the START line will clear the binary counter, reduce the charge on the integrator capacitor to zero (it closes  $S_2$  briefly), and insures that switch  $S_1$  is connected to the analog input.

The voltage at the output of the integrator will begin to rise as soon as the analog input is connected. Since the comparator is ground referenced its output will snap high as soon as the integrator output is greater than a few millivolts, the normal comparator uncertainty (i.e., hysteresis).

When the comparator output is high the control section will gate clock pulses into the cleared binary counter. These are allowed to increment the counter until overflow occurs. All the while the integrator output ( $E_A$ ) is rising to some final value. When the counter overflows a pulse is sent back to the control logic section and this switches  $S_1$  to the reference voltage input. The reference voltage is constant, and is of a polarity opposite that of the analog input voltage, so it will *discharge* the accumulated integrator output voltage at a constant rate.

The counter outputs will all be zero (0000) when overflow occurs. This means that the counter will be incrementing from zero, once each time a clock pulse is received, while the reference voltage is discharging the integrator capacitor.

When the integrator output has discharged all the way back to zero the comparator output will snap low. This condition causes the control section to stop the counter, but does not reset the counter (its final value is held). Also at this time an end of conversion pulse is generated. The output data word will be proportional to the analog input voltage applied to the input.

Conversion time for the dual-slope integrator form of A/D converter is on the order of  $2^{n+1}$  clock cycles, so for an eight-bit converter a total of 512 pulses are required to make a full-scale conversion.

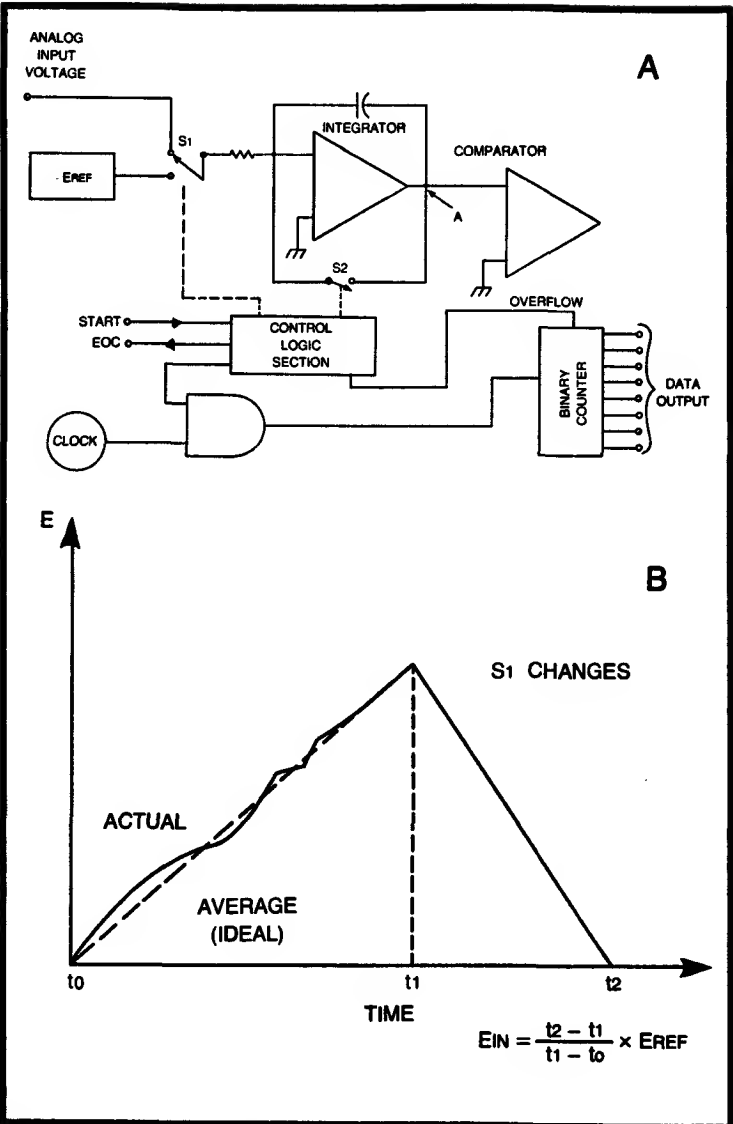


Fig. 10-6. Dual-slope integrator A/D converter. (A) Circuit. (B) Waveform.

The integrating type of converter is too slow to follow fast-changing signals, but is considered very good where long conversion times can be tolerated. One reason for the popularity of the integrating A/D converter is the inherently good noise rejection of the



circuit. Recall, if you please, that an integrator is also a form of low-pass filter, so noise artifacts are reduced considerably in amplitude. Most digital voltmeters take advantage of this facet of the converter, so several IC devices are made that will perform such conversions cheaply.

### **Voltage-to-Frequency Converter**

The voltage-to-frequency (V/F) converter such as those discussed in Chapter 7 can be used to make an analog-to-digital conversion. The V/F converter will generate an output pulse train of a frequency that is proportional to a voltage applied to the input. A frequency counter circuit, or a software program that makes the computer think that it's a frequency counter, is then used to derive binary words that represent the frequency. In the counter approach a binary counter (or BCD output decade counter if binary code conversion is also provided) is gated to receive pulses for a specified length of time. The accumulated count at the end of this time period is a measure of events per unit of time, or pulses per second—frequency.

The V/F converter is capable of respectable dynamic range, and moderate-to-slow conversion times. Its main use is where data may have to be transmitted over a distance, in which case the frequency components can be transmitted over a telephone line, or through a radio-telemetry channel.

### **Parallel Converters**

The fastest type of A/D converter is the parallel circuit of Fig. 10-7. This circuit uses  $2^n - 1$  voltage comparators ( $A_1$  through  $A_n$ ) to make the conversion. One input on each comparator is tied to the analog voltage input, while the alternate inputs are tied to specific reference voltage sources. The bias levels applied to these comparators differ from stage to stage by the amount of the least significant bit.

When an analog input signal is applied to this converter all of those comparators biased above its value will be off (i.e., output low), while those biased below the level of the analog signal are turned on (output high).

The outputs of the comparators *do not* represent a binary word, so the output states must be decoded in logic to follow the parallel output lines. Such logic will have to be set up to find the highest order bit that is high. The output states for a hypothetical A/D converter are shown in Fig. 10-7B.

A more elegant approach to logic conversion of the output data might be software decoding. Connect the parallel output lines to an input port of a computer. Note in Fig. 10-7C we have the possible bit patterns that will represent 0 to 7 volts. A program could be written to examine the input and create the proper binary code for the word appearing at the input. Either a table lookup or a method for testing successively higher order bits should work. Incidentally, this will slow down the conversion process, so one must be willing to tolerate the slower speed, or provide a buffer memory to hold words until conversion in software is completed.

### **Binary Counter A/D Converters**

The binary counter type of A/D converter, also called the servo or ramp type in some texts, is shown in Fig. 10-8A. The conversion sequence is shown in Fig. 10-8B. The components of this type of converter are a reference voltage source, comparator, D/A converter, binary counter, clock, and control logic section.

You may have wondered why we covered the D/A converter first, since to many it seems almost contradictory to do so. The reason is that this type of A/D converter, as well as several others, use a D/A converter in a feedback method to perform an A/D conversion. They are part of a larger class of A/D converters known generically as feedback converters.

When a start pulse is received in the control logic section it clears the binary counter and gates clock pulses into the counter input. The binary counter is incremented by each successive clock pulse.

The output lines from the binary counter are connected to the digital input terminals of the D/A converter. So when the binary counter output changes we note that the D/A converter output also changes. The D/A converter output voltage is applied to one input of

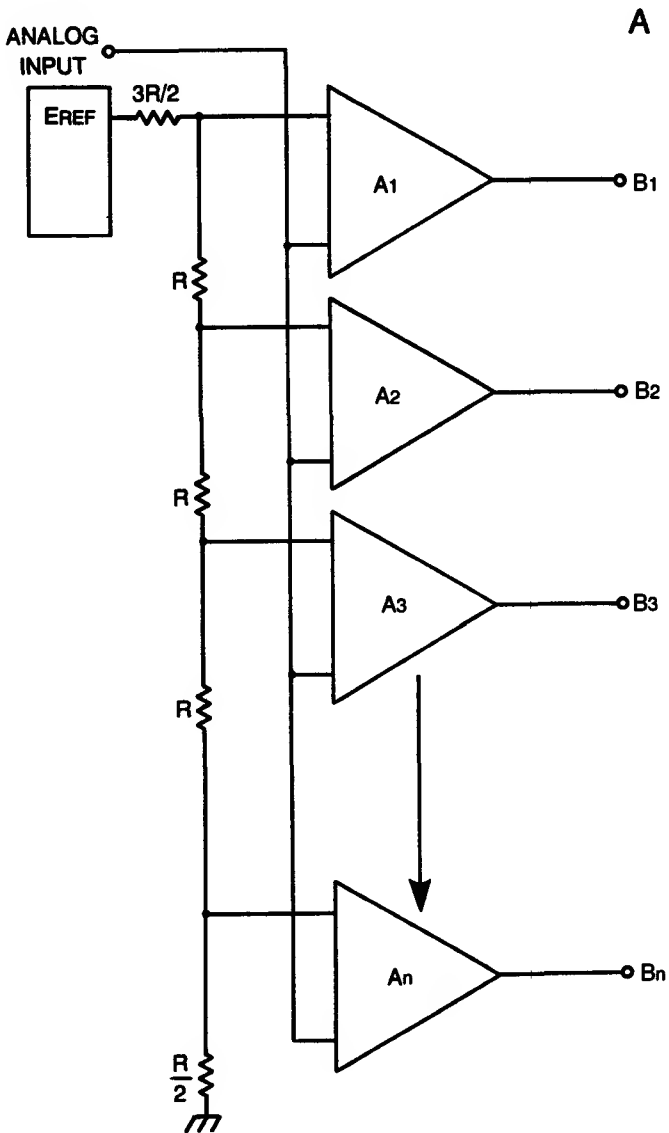
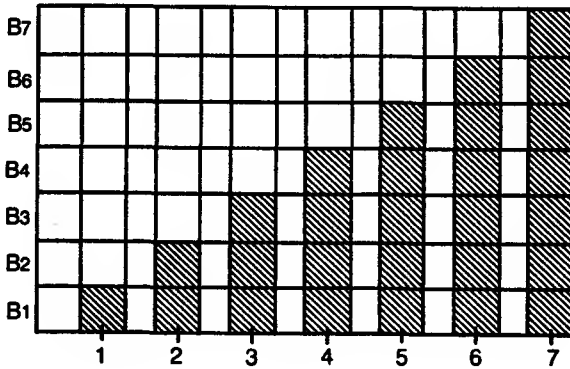


Fig. 10-7. Parallel converter. (A) Circuit. (B) Output state graph. (C) Output state table.

**B****C**

| VOLTS | B1 | B2 | B3 | B4 | B5 | B6 | B7 |
|-------|----|----|----|----|----|----|----|
| 0     | 0  | 0  | 0  | 0  | 0  | 0  | 0  |
| 1     | 0  | 0  | 0  | 0  | 0  | 0  | 1  |
| 2     | 0  | 0  | 0  | 0  | 0  | 1  | 1  |
| 3     | 0  | 0  | 0  | 0  | 1  | 1  | 1  |
| 4     | 0  | 0  | 0  | 1  | 1  | 1  | 1  |
| 5     | 0  | 0  | 1  | 1  | 1  | 1  | 1  |
| 6     | 0  | 1  | 1  | 1  | 1  | 1  | 1  |
| 7     | 1  | 1  | 1  | 1  | 1  | 1  | 1  |

a comparator. The other input to the comparator is connected to the analog input voltage. If the analog input voltage is greater than the D/A converter output voltage, then the comparator output will be high. This is the condition existing immediately after the start pulse is received.

When the D/A converter output has been incremented to a point where it is equal to the analog input voltage the comparator output will snap low, stopping the conversion action. The binary counter output will remain latched, holding the data word, and an end-of-conversion pulse is generated.

The binary counter type of A/D converter is relatively easy to build using low-cost components. The output of the D/A converter,

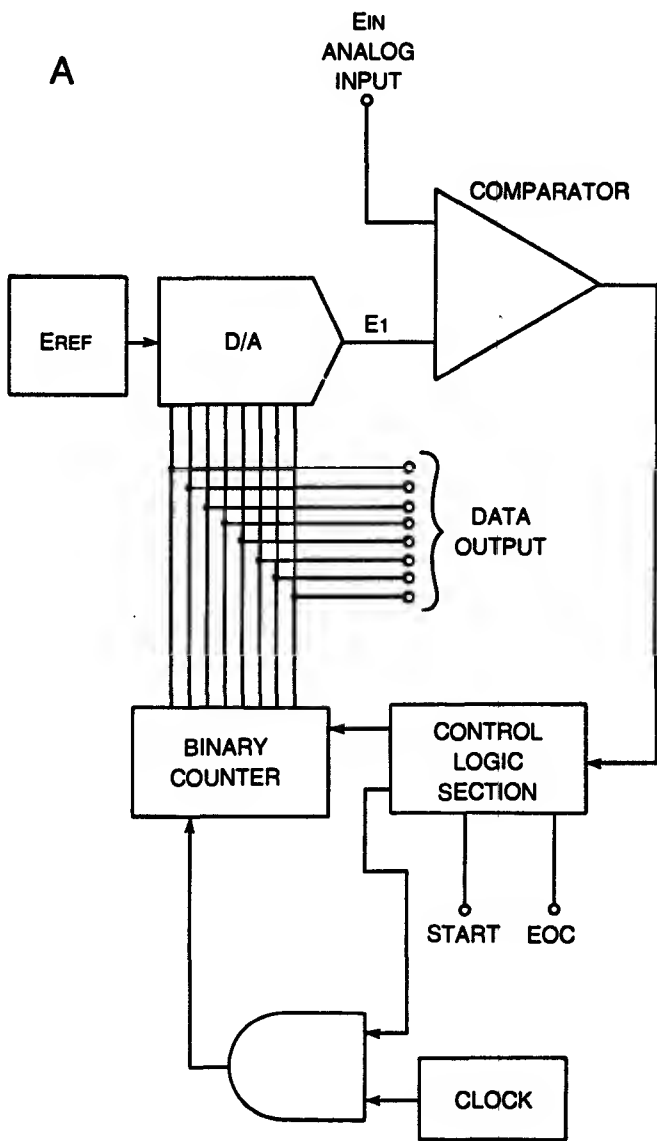
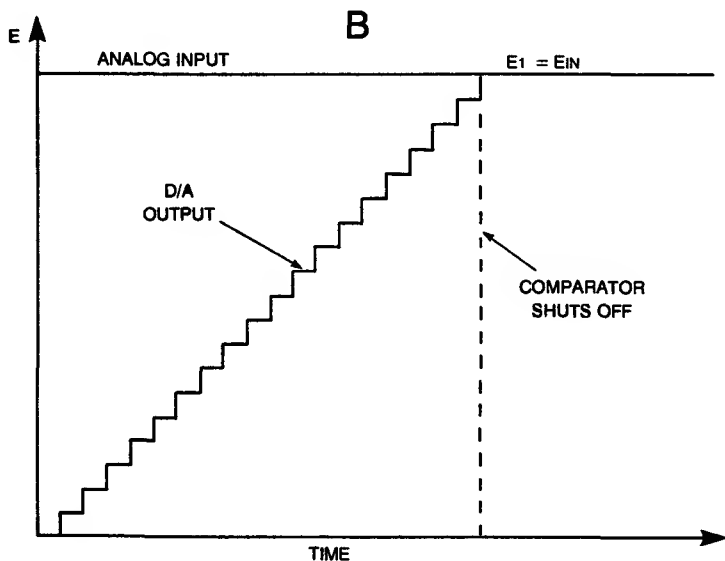


Fig. 10-8. Binary counter A/D converter. (A) Circuit. (B) Waveform.



hence the maximum analog input, is equal to the product of the reference voltage and a fraction representing the digital word. The full-scale output is:

$$E_{IN(FS)} = (E_{REF})[(2^n - 1)/2^n] \quad (10.51)$$

which, in the case of the eight-bit A/D converter, will be

$$E_{IN(FS)} = (E_{REF})(255/256) \quad (10.52)$$

The conversion time will be on the order of  $2^n$  clock pulses for a full-scale conversion. For our ubiquitous eight-bit A/D converter this works out to 256 clock pulses. If a D/A converter capable of tracking a 2.5 MHz clock (most binary counters will track a 2.5 MHz rate, the limiting factor in most cases is the D/A converter) we will receive a clock pulse every 400 nanoseconds ( $4 \times 10^{-7}$  seconds). A full-scale conversion is possible, therefore, every 102 microseconds.

### Successive-Approximation Converters

One of the fastest A/D conversion techniques, although slower than the parallel method, is the successive-approximation circuit of

Fig. 10-9A. Although not as fast as the parallel conversion it is considered superior because its output is a readable binary code that requires no additional processing before being sent to the computer input port.

The constituent parts of a successive-approximation A/D converter include a D/A converter (again a feedback-class converter), a comparator, a shift register, register output latches, a clock, and a control logic section.

The digital input lines of the D/A converter are connected to the parallel output lines from the shift register. The analog output of the D/A converter is connected to one input of the comparator, while the remaining comparator input is connected to the analog input voltage. The comparator output will remain high whenever the analog input voltage is greater than the D/A converter output voltage.

The actual operation of the successive-approximation A/D converter is slightly different for two cases:  $E_{IN}$  less than half-scale and  $E_{IN}$  greater than half-scale. We will consider both cases separately even though they are similar.

Let us consider first a conversion in which the analog voltage is between one-half scale and three-quarter scale, say 6.6 volts. An eight-bit converter is used, and  $B_1$  is the most significant bit.

When a start pulse is applied to the control section the shift register is cleared and the clock is gated on. This type of converter operates in a synchronous mode, which means all action is keyed by the clock pulses. On the first clock pulse  $B_1$  is set to *one* and all other bits are *zero*. The binary word applied to the D/A converter, then, is 10000000. This word places the D/A converter output at half-scale, or (for this case) 5 volts.

In this instance the analog input voltage is still greater than the D/A converter output, so the comparator output remains high. Bit  $B_1$  is latched to a *one* and is held.

On the next clock pulse bit  $B_2$  is set high making the word applied to the D/A converter inputs 11000000, and this sets the D/A converter output voltage to three-quarter scale ( $E_1 = 7.5$  volts). Here we find that  $E_1$  is greater than the analog input voltage, so  $B_2$  is

reset to *zero*. The  $B_2$  register is then latched with a *zero*, so the output word goes back to 10000000.

On the third clock pulse bit  $B_3$  is set high, making the D/A converter see an input word of 10100000. Under this input  $E_1$  is equal to 6.25 volts, which is below the analog input voltage, so the comparator output is high. This condition tells the control logic section to latch  $B_3$  to *one* leaving the output word at 10100000.

Bit  $B_4$  is set high on the fourth clock pulse. The D/A converter sees an input word of 10110000, making  $E_1$  equal to 6.875 volts. This potential is greater than the input voltage, so the comparator output goes low, signaling the control logic to reset  $B_4$  to *zero*. The register contents at the conclusion of the fourth clock period will remain at 10100000.

At the beginning of the fifth clock pulse bit  $B_5$  will be set to *one*, so the D/A converter will see an input word of 10101000, and  $E_1$  is equal to 6.563 volts. Again  $E_1$  is less than the analog input voltage so  $B_5$  is latched at *one*.

On the next trial bit  $B_6$  is set high, making the D/A converter input 10101100. The value of  $E_1$  that is produced in this case is 6.72 volts, so  $B_6$  is reset to *zero*. Trial 6 generates a code of 10101000. On trial 7 the D/A converter sees 10101010 at its input, so  $E_1$  is 6.64 volts. Again  $E_1$  is too high, so  $B_7$  is reset to *zero*. The register output is 10101000.

Bit  $B_8$  is set high on the last trial. This lets the D/A converter see an input code of 10101001, so  $E_1$  is 6.6 volts. The comparator output drops low, latching  $B_8$  at a *one*. On the next clock pulse (9) the register will overflow, and this becomes our end-of-conversion (EOC) pulse. The successive-approximation method requires only  $n + 1$  clock pulses, so is faster than other methods.

The conversion shown in Fig. 10-9C is the sequence of events that will occur when the analog signal voltage is less than half-scale. Again, each trial is synchronized by clock pulses. In this example the analog input voltage is +3.4 volts.

When the first clock pulses after the start command arrives, the shift register is cleared and  $B_1$  (the MSB) is set to *one*. The digital word applied to the D/A converter input is 10000000, and the D/A



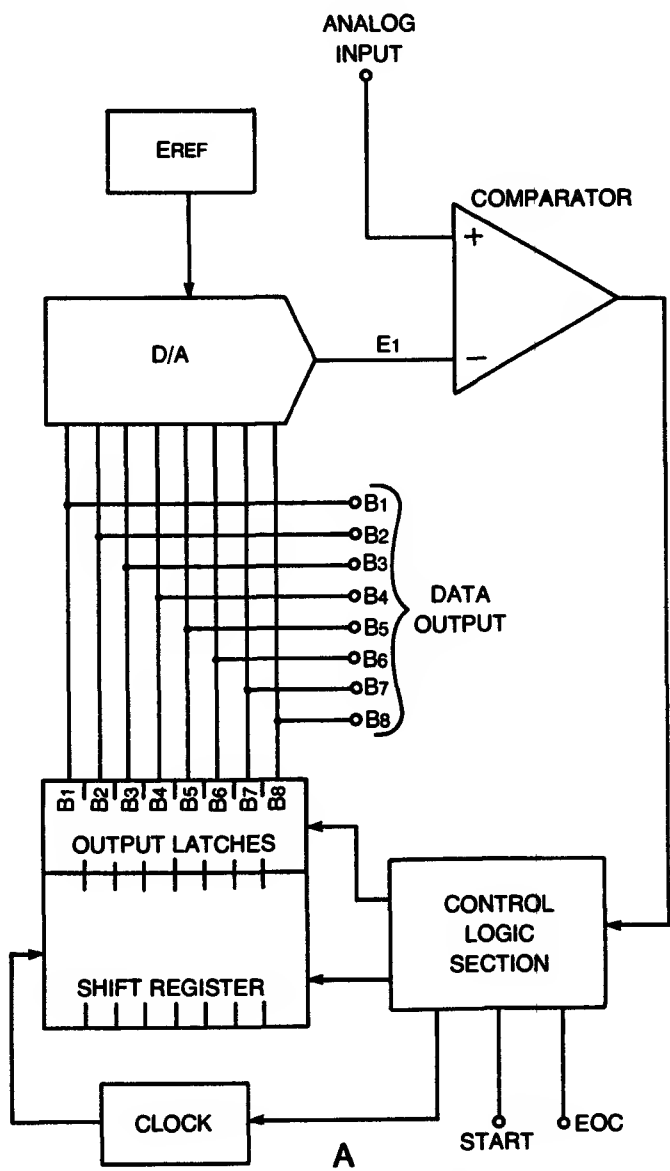
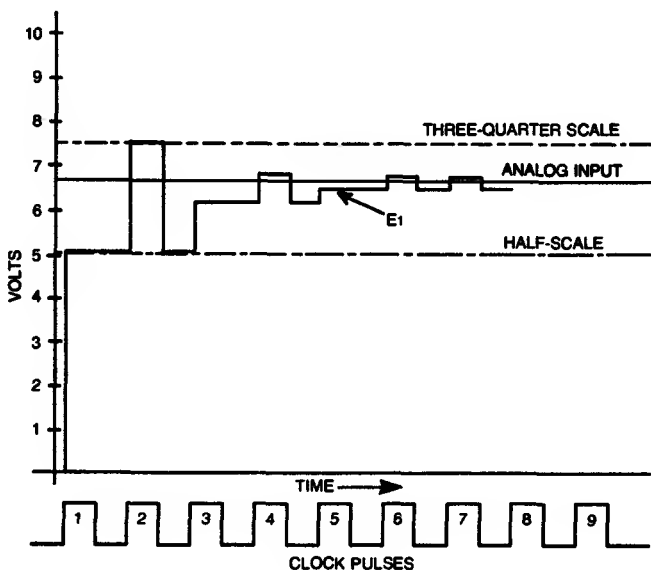
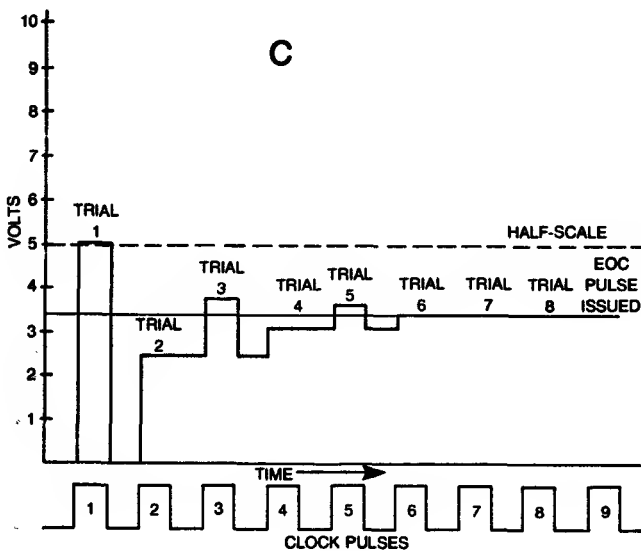


Fig. 10-9. Successive-approximation A/D converter. (A) Circuit. (B) Waveforms for  $E_{IN}$  above half-scale. (C) For  $E_{IN}$  below half-scale.



**B**

**C**



converter output voltage ( $E_1$ ) is +5 volts.  $E_1$  is greater than the input voltage, so  $B_1$  is reset to *zero*.

When the second clock pulse arrives bit  $B_2$  is set high, making the digital word at the D/A converter input 01000000. The value of  $E_1$  is quarter-scale, or +2.5 volts. The comparator tells the control section that this voltage is less than the input voltage, so bit  $B_2$  is latched high. The D/A converter output remains at 01000000.

On the third trial bit  $B_3$  is set high making the digital word at the input of the D/A converter 01100000, and voltage  $E_1$  is +3.75 volts. This voltage is greater than the input voltage, so  $B_3$  is reset to *zero*. The D/A converter output remains 01000000.

The fourth trial sees bit  $B_4$  set high to create a D/A converter input code of 01010000. The D/A converter output voltage ( $E_1$ ) is +3.13 volts.  $E_1$  is lower than the input voltage, so  $B_4$  is latched high. The DAC code remains 01010000.

On the fifth trial bit  $B_5$  is set high, making the D/A converter input code 01011000. Voltage  $E_1$  is +3.44 volts. Again too high, so  $B_5$  is reset to *zero*. This process continues through  $B_6$ ,  $B_7$ , and  $B_8$  until the final code existing is 01010111, and  $E_1$  is +3.4 volts. The ninth clock pulse overflows the register, and is used as the EOC pulse. One must take care that the analog input voltage is within the range of the converter, or an overflow condition will tell the computer that EOC has occurred, but the code will be erroneous (11111111).

## SOFTWARE A/D CONVERTERS

A minimum hardware A/D converter can be built along the lines of either binary counter or successive-approximation methods by connecting an eight-bit D/A converter directly to the microprocessor. In one approach actual I/O ports are used, while in another the address lines are used. In both cases a comparator examines the output of the D/A converter and the analog input voltage.

In the counter method a program in the microcomputer generates a ramp at the input of the D/A converter. Figure 10-10 shows a case where the circuit uses computer I/O ports. One complete output port is used to drive the digital inputs of the D/A converter,

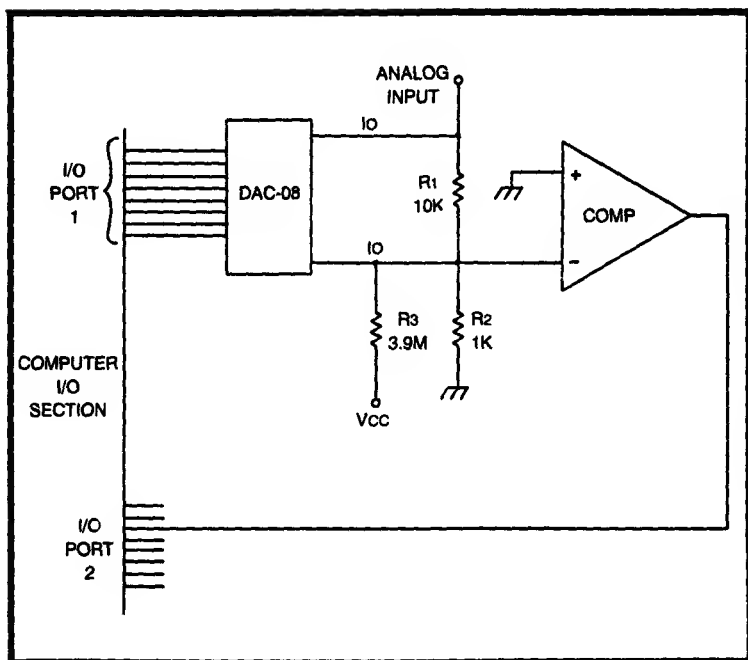
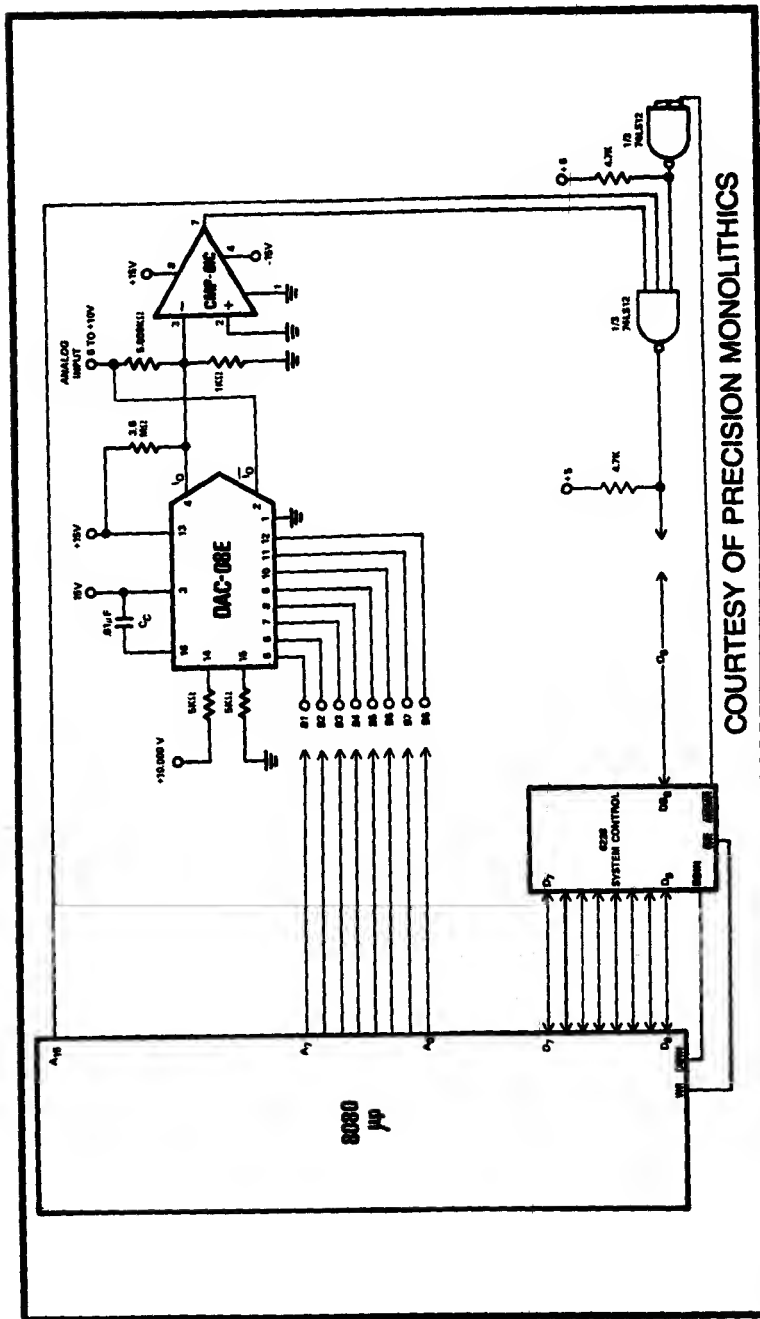


Fig. 10-10. Hardware for a software A/D converter using I/O ports.

while one bit of another is used to monitor the status of the comparator output. This is not quite as wasteful as it may seem because many microcomputers have a portion of one port already dedicated to some function such as serial data transmission or peripheral control, etc.

A program must be written that will generate a ramp at I/O port 1. This can be done by creating a loop in which the accumulator is incremented and outputted once during each pass through the loop. The elements required in the program will be (1) clear the accumulator, (2) increment the accumulator by one, (3) output accumulator, (4) test the appropriate bit of input port 2 to find out the status of the comparator output, and (5) if the comparator output is high, then loop back to (2) and continue, but if the comparator output is low, then break out of the loop and use the word in the accumulator as your input data.

Figure 10-11 shows the use of a microprocessor's address lines in a successive-approximation A/D converter operated under



COURTESY OF PRECISION MONOLITHICS

Fig. 10-11. Circuit for a software A/D converter using memory mapping. The DAC-08 is treated as memory with an address above 32K. (Courtesy of Precision Monolithics, Inc.)

Table 10-1. DAC-08 A/D Conversion Routine.

|        |               |                           |
|--------|---------------|---------------------------|
| Start: | LXI B, 08000H | ;LOAD MSB IN B, CLEAR C   |
|        | MOV A,B       | ;MSB TO ACC               |
| TEST:  | MOV H,A       | ;SET MEM/MAP I/O          |
|        | ORA C         | ;ADD LAST TEST VALUE      |
|        | MOV L,A       | ;MOVE PRESENT TEST TO L   |
|        | MOV A,M       | ;GET COMP OUTPUT          |
|        | ANA A         | ;SET FLAGS                |
|        | JPO T00HI     | ;DISCARD PRESENT TEST BIT |
|        | MOV A,B       | ;GET PRESENT TEST BIT     |
|        | ORA C         | ;ADD TOTAL SO FAR         |
|        | MOV C,A       | ;SAVE TOTAL               |
| T00HI: | MOV A,B       | ;GET LAST TEST BIT        |
|        | RAR           | ;ROTATE TOWARD LSB        |
|        | MOV A,B       | ;SAVE NEW TEST BIT        |
|        | JNC TEST      | ;JUMP IF NOT FINISH       |
|        | END           | ;FINAL VALUE IS IN C      |

software control. This particular circuit is based on the Intel 8080A microprocessor and the Precision Monolithics, Inc. DAC-08 (of which more is given in Chapter 11).

This circuit uses a technique called memory-mapped I/O. Most microcomputers and microprocessor instrumentation applications

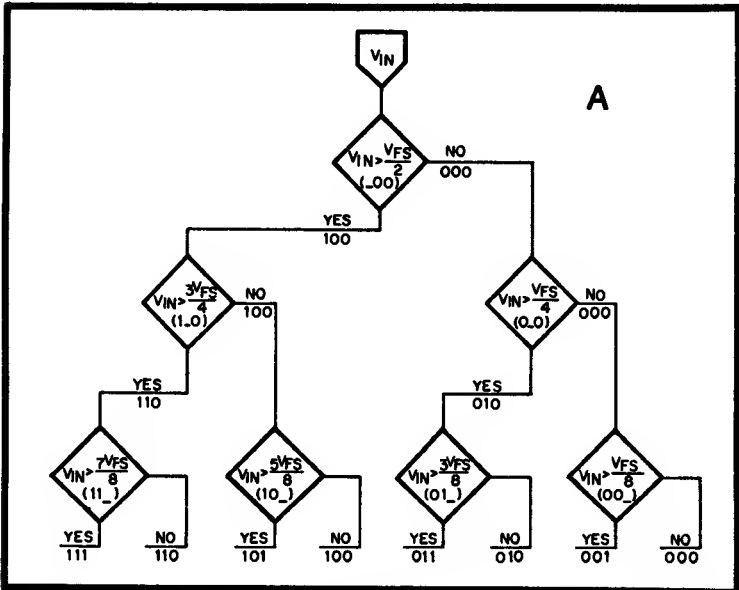


Fig. 10-12. Successive-approximation algorithm. (A) Concept. (B) Program flow chart. (Courtesy of Precision Monolithics, Inc.) (Continued on next page.)

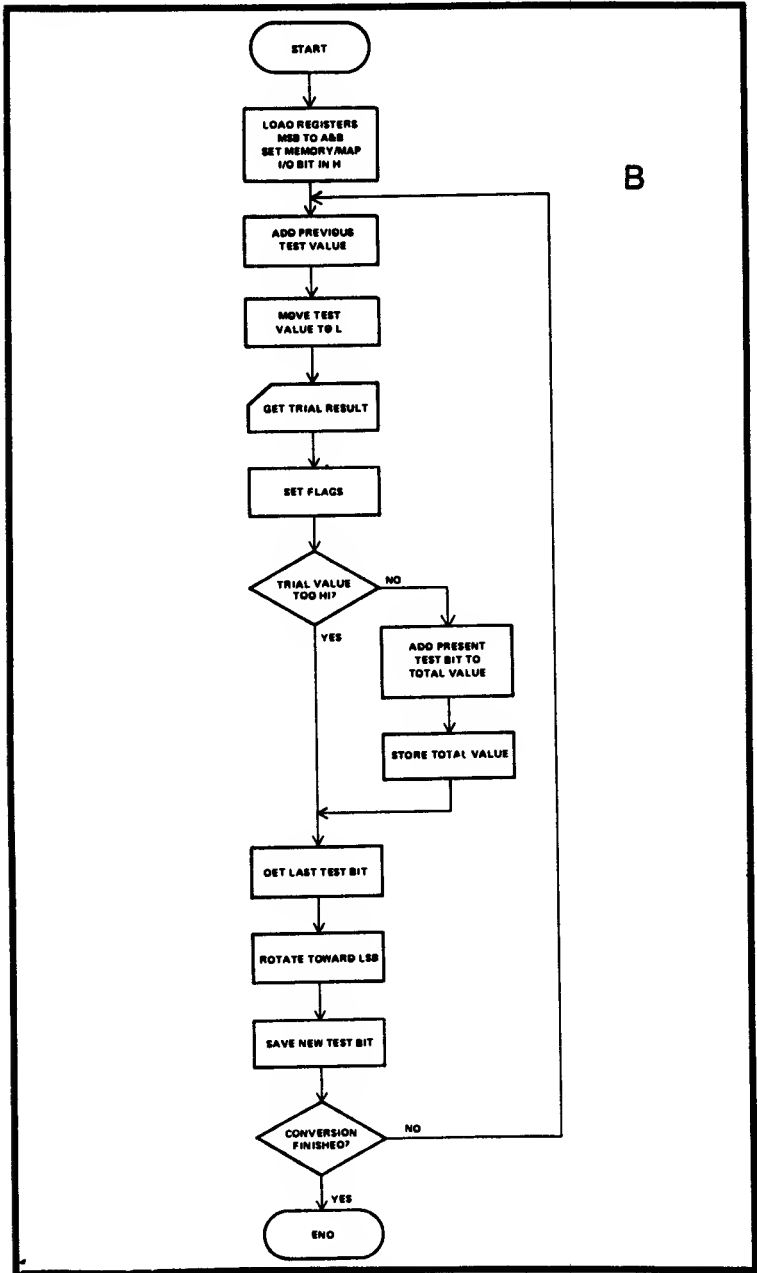


Fig. 10-12. (Continued from previous page.)

do not require anywhere near the total allotted addressable memory. The 8080A, Z-80 and most other eight-bit microprocessor chips have a sixteen-bit address bus, so can address up to 65K of different memory locations. Most applications, however, require considerably less in the way of active memory, with most being in the under 32K class. In Fig. 10-11 the D/A converter (DAC-08E) is connected to address lines  $A_0$  through  $A_7$ . Address line  $A_{15}$  is used as an I/O control flag. If  $A_{15}$  is high, then the I/O function is enabled, but if  $A_{15}$  is low then the memory is active (note that  $A_{15}$  divides the upper and lower 32K of possible memory addresses so would never be used to address memory in a system of less than 32K memory).

The use of memory mapping, as in Fig. 10-11, requires that the peripheral (i.e., the DAC-08 in this example) recognize and conform to the memory address bus timing and control signals. Table 10-1 gives the 8080A assembler code for using a circuit to implement a successive-approximation algorithm (an example of which is shown in Figs. 10-12A and 10-12B.).





# Chapter 11

## D/A Converters: Some Real Products

---

It has been pointed out that books and articles for amateur computerists are often written proclaiming this or that feature of some exotic software program, but without much regard for how the data will be obtained that feeds the program. In this chapter, and that to follow, we will discuss some of the actual data conversion products on the market, but will use a practical approach rather than the theoretical discussion of the previous chapter.

In the case where the information is contained in an analog current or voltage used to represent some physical parameter, the proper interface unit contains an analog-to-digital converter, where the computer must control some external analog device a digital-to-analog converter is used. Although the order might seem a little backwards, we will consider first the D/A products, then proceed in Chapter 12 to consider some practical A/D circuits. This is done because many A/D circuits use a D/A converter in a negative-feedback loop.

### THE FERRANTI ZN425E

Figure 11-1 shows the block diagram for the Ferranti ZN-425E multimode data converter integrated circuit (Ferranti Semiconductors, East Bethpage Road, Plainview, NY 11803). This low-cost chip uses a binary counter to drive the electronic switches of the standard

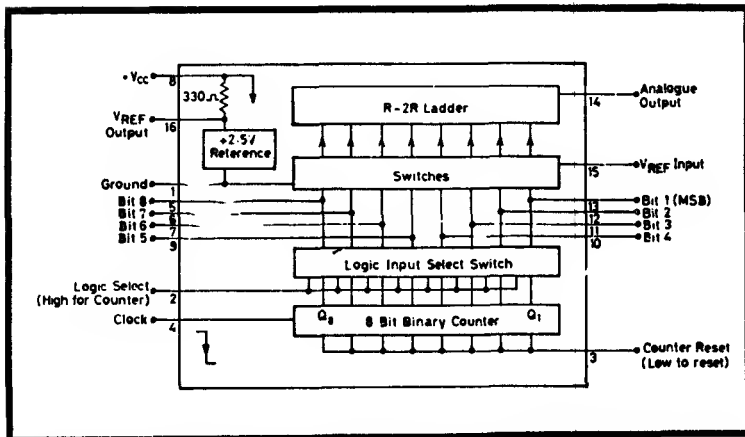


Fig. 11-1. Block diagram to the Ferranti ZN-425E building block. (Courtesy of Ferranti Semiconductors, Inc.)

*R-2R* ladder, if the logic select pin is turned on. In this mode it operates not as a straight D/A converter, but as a 255-step ramp generator with *current* output.

The ZN-425E will also operate as a regular D/A converter, or as an eight-bit A/D converter, depending upon the external circuit configuration and the logic level applied to the logic select terminal. The output of the Ferranti ZN-425E is a current that is proportional to the product of the reference and the digital word applied to the binary inputs. The use of suitable external circuitry, and a switching method, will allow the ZN-425E to operate in any of the modes under external command.

## THE PRECISION MONOLITHICS DAC-08

One of the more popular integrated circuit D/A converters on the market is the DAC-08 (Fig. 11-2) by Precision Monolithics, Inc. (PMI, 1500 Space Park Drive, Santa Clara, CA 95050). This device contains the standard *R-2R* ladder, electronic switches, and reference amplifier, but requires an external reference voltage source. This makes the DAC-08 a *multiplying D/A converter*. The need for an external reference makes this IC less useful for some applications, but more useful for certain others in which the multiplication feature is needed.

The DAC-08 produces two output currents that are said to be complementary because one is decreasing while the other increases, but their sum is a constant. The sum value, full-scale current, is shown to be

$$I_{FS} = (V_{REF}/R_{REF})(255/256) \quad (11.1)$$

where  $I_{FS}$  is the full-scale current and  $V_{REF}$  and  $R_{REF}$  are the reference voltage and resistance.

#### Example 11-1

What is the full-scale current of a DAC-08 in which the reference voltage is +7.5 volts DC and the reference resistor ( $R_{REF}$ ) is 9.1K?

**Solution:**

$$\begin{aligned} I_{FS} &= (V_{REF}/R_{REF})(255/256) & (11.1) \\ &= (7.5/9100)(255/256) \\ &= 0.0008 \text{ amperes} \\ &= 0.8 \text{ milliamperes} \end{aligned}$$

and the output currents are,

$$I_{FS} = I_{OUT} + I_{OUT} \quad (11.2)$$

where  $I_{FS}$  is the full-scale current as set by Eq. 11.1,  $I_{OUT}$  is the current flowing into pin 4, and  $I_{OUT}$  is the current flowing into pin 2.

#### Example 11-2

The full-scale current is 2 milliamperes, and the current flowing into pin 2 is 0.35 milliamperes. What current is flowing into pin 4?

**Solution:**

$$\begin{aligned} I_{FS} &= I_{OUT} + I_{OUT} & (11.2) \\ (2) &= I_0 + (0.35) \\ I_{OUT} &= 2 - 0.35 \text{ milliamperes} \\ &= 1.65 \text{ milliamperes} \end{aligned}$$

The DAC-08 is capable of monotonic multiplying operation over a range of approximately 32 dB of reference current. It will achieve as fast as 85-nanosecond settling times if good layout and design practices are followed. It must be noted that many amateurs fail to

achieve most rapid performance, as promised by the manufacturer's specification sheet, solely because of poor layout practices and sloppy construction technique; both of which conspire to slow down digital circuitry.

The DAC-08 is available in various models that have different quality levels and temperature ranges (at different prices, of course). The suffix of the part number denotes the quality level, namely:

| Model    | Temp. Range*(C) | Nonlinearity |
|----------|-----------------|--------------|
| DAC-08AQ | -55/+125        | ±0.1 %       |
| DAC-08Q  | -55/+125        | ±0.19%       |
| DAC-08NQ | 0/+70           | ±0.1 %       |
| DAC-08EQ | 0/+70           | ±0.19%       |
| DAC-08CQ | 0/+70           | ±0.39%       |

A feature of the DAC-08 series that proves especially useful in some applications is the fact that there are two complementary current outputs,  $I_{OUT}$  and  $\bar{I}_{OUT}$ . The relationship between these currents is shown in Fig. 11-2B.

At the low end of the scale, when the binary number at the input is 0000000<sub>2</sub> we find that  $I_{OUT}$  is zero and  $\bar{I}_{OUT}$  is maximum, in this case 2 milliamperes. At half-scale operation (input word set to 1000000<sub>2</sub>) the two currents are equal, which in the example puts them at 1 milliampere. At full-scale operation (input word 1111111<sub>2</sub>)  $I_{OUT}$  will be 2 milliamperes, and  $\bar{I}_{OUT}$  is zero. The complementary outputs makes the DAC-08 especially suited to applications where a push-pull or differential load is to be accommodated.

Examples of applications where the complementary outputs are particularly useful are line drivers for data communications, driving the vertical or horizontal deflection plates of the cathode-ray tube, or in driving an X-Y recorder. In a circuit using the DAC-08 as an A/D converter (Chapter 12) the complementary output is arranged so that it keeps the input impedance seen by the analog voltage source constant, even though the impedance would normally vary over a ten-to-one range.

Figure 11-3A shows the basic connections required to make the DAC-08 work in a real circuit. In later circuits we will delete the

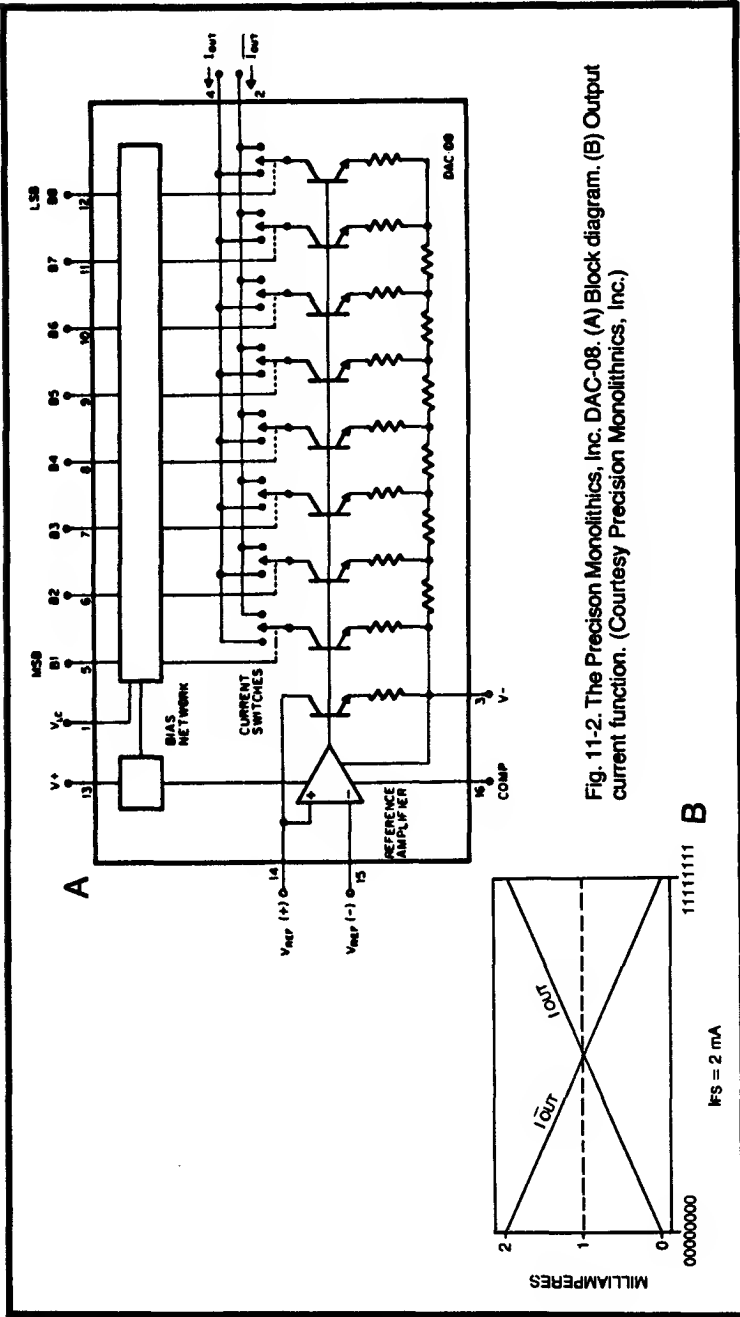


Fig. 11-2. The Precision Monolithics, Inc. DAC-08. (A) Block diagram. (B) Output current function. (Courtesy Precision Monolithics, Inc.)

power connections for purposes of simplicity, so be prepared to look back at this figure should you want to actually try building any subsequent circuits.

The terminals marked  $V(+)$  and  $V(-)$  are the positive and negative power supply connections, respectively. Note that these are not the positive and negative points in a single supply, but refer to supplies that are positive with respect to ground and negative with respect to ground. The DAC-08 requires a bipolar power supply like an operational amplifier.

The potential applied to the  $V(+)$  and  $V(-)$  terminals can be anything between 4.5 volts and 18 volts DC, but most of the manufacturer's examples give 15 volts as the power supply levels. Note, however, that a very low power consumption of approximately 33 milliwatts is possible if the power supply voltages are 5 volts.

The terminal marked  $V_{LC}$  is a level, or threshold control, and should be fixed at some potential between  $V(-)$  and  $V(+)$ . In most circuits, where TTL logic levels are used,  $V_{LC}$  will be grounded.

The threshold voltage ( $V_{LC}$ ) controls the voltages that will be recognized by the input terminals as digital logic levels. Normally, when the power supply potentials are 15 volts DC, the digital inputs can swing over the range  $-10$  volts to  $+18$  volts. But logic levels in any given circuit tend to be fixed. TTL, for example, uses zero volts for logic 0, and  $+5$  volts as logic 1. Depending upon whose expertise we trust, the transition point between *zero* and *one* occurs someplace between  $+1.4$  volts and  $+2.2$  volts. Whatever the "magic number" happens to be in any given chip, voltages below that level will be recognized as *zero* and those voltages above that level are seen as *one* states.

The  $V_{LC}$  terminal on the DAC-08 allows it to interface with a large range of different circuitry, without the need for level translators or other peripheral circuitry. For example, the DAC-08 can be interfaced with CMOS digital integrated circuits that use a *one* level in the  $+5$  to  $+15$ -volt region, even though the power supply terminals of the DAC-08 are connected to 5-volt DC sources.

Another case that is often a real bear to solve is interfacing new circuitry, to perform a new job, with older instruments. Almost all

modern instruments will use either TTL or CMOS logic elements, so the specifications for *zero* and *one* are fixed to a standard. But if you want to connect older instruments into a circuit with a D/A converter, it might be necessary to accommodate obsolete logic levels. When digital instruments were manufactured using discrete transistors to make the logic circuits, the designer was almost totally free to select logic level voltages. I have seen examples of diode logic AND gates in which  $-9$  volts (or  $-12$  volts) represented the logic 0 condition, and  $+5$  (or  $+12$ ) volts represented logic 1. Most D/A converter integrated circuits would not be able to handle nonstandard logic levels unless transistor level translators were used between the output of the instrument and the input of the D/A converter. These older instruments, incidentally, are not all that uncommon, especially in smaller companies, amateur or hobbyist markets, or in many university laboratories where the pinch in basic research money is painfully evident.

The minimum input logic swing and logic threshold voltage ( $V_{TH}$ ) are given by:

$$V_{TH} = V(-) + 2.5 \text{ volts} + (I_{REF} \times 1000 \text{ ohms}) \quad (11.3)$$

where  $V_{TH}$  is the threshold voltage,  $V(-)$  is the negative power supply voltage, and  $I_{REF}$  is the reference current in amperes.

### Example 11-3

Find the threshold voltage,  $V_{TH}$ , if the negative power supply potential is  $-12$  volts, and the reference current is 2 milliamperes.

**Solution:**

$$\begin{aligned} V_{TH} &= V(-) + 2.5 + (I_{REF} \times 1000) & (11.3) \\ &= (-12) + 2.5 + (0.002 \times 1000) \\ &= (-12) + 2.5 + 2 \\ &= -7.5 \text{ volts} \end{aligned}$$

The logic threshold can be varied externally by applying a voltage to pin 1 of the DAC-08. The threshold voltage will be approximately 1.4 volts higher than  $V_{LC}$ .

$$V_{TH} = V_{LC} + 1.4 \text{ volts} \quad (11.4)$$

where all terms are as previously defined.



### Example 11-4

Find the threshold voltage (a) if  $-6$  volts DC is applied to the  $V_{LC}$  terminal, and (b) for TTL compatibility, in which case the  $V_{LC}$  terminal is grounded ( $V_{LC} = 0$ ).

**Solution:**

$$\begin{aligned} \text{(a) } V_{TH} &= V_{LC} + 1.4 \\ &= (-6) + 1.4 \\ &= 4.6 \text{ volts} \end{aligned}$$

$$\begin{aligned} \text{(b) } V_{TH} &= V_{LC} + 1.4 \text{ volts} \\ &= (0) + 1.4 \text{ volts} \\ &= +1.4 \text{ volts} \end{aligned}$$

Note that logic signal in (a) must be lower than  $-4.6$  volts for logic 0 and greater than  $-4.6$  volts for logic 1; allowing the chip to accommodate older, obsolete but still useful equipment. In (b) we see that the standard  $+1.4$ -volt transition point for TTL logic is also the level that is used by the DAC-08, so the DAC-08 will directly interface with TTL and DTL circuitry if the  $V_{LC}$  terminal (pin 1) is grounded.

The threshold voltage has been defined as the swing between voltages representing logic 0 and logic 1 conditions at the input and the trip point at which the DAC-08 decides that the input logic level has changed. In TTL and DTL circuits this level is approximately  $+1.4$  volts, so  $V_{LC}$  is set to zero (i.e., it is grounded). In CMOS, the trip point will be half the positive supply potential so if  $V(+)$  is, say,  $+12$  volts, the logic trip point will be  $+6$  volts. The voltage applied to  $V_{LC}$  should be set to represent this difference (use Eq. 11.4). In that case, rearranging the equation gives us:

$$\begin{aligned} V_{LC} &= V_{TH} - 1.4 \\ &= (+6) - 1.4 \\ &= +4.6 \text{ volts} \end{aligned}$$

The reference current can be at any level between 0.2 milliamperes and 4 milliamperes, but the manufacturer recommends 2 milliamperes for TTL and DTL circuits and 1 milliamperes for ECL logic circuits. The input current requirements of the DAC-08, inci-

dentally, is only 2 microamperes ( $\mu\text{A}$ ), so it will load the digital output of the driving circuitry only very lightly.

The reference current is set by the reference voltage and the resistance ( $R_{\text{REF}}$ ) of the reference input resistor. By Ohm's law:

$$I_{\text{REF}} = V_{\text{REF}}/R_{\text{REF}} \quad (11.5)$$

where  $I_{\text{REF}}$  is the reference current in amperes,  $V_{\text{REF}}$  is the reference voltage in volts, and  $R_{\text{REF}}$  is the reference input resistance in ohms.

#### Example 11-5

Find the value of the reference input resistor that will create a 2-milliampere reference current from a +10.00-volt reference voltage.

**Solution:**

$$I_{\text{REF}} = V_{\text{REF}}/R_{\text{REF}}$$

So,

$$R_{\text{REF}} = V_{\text{REF}}/I_{\text{REF}}$$

$$R_{\text{REF}} = (10.00)/(0.002)$$

$$R_{\text{REF}} = 5000 \text{ ohms}$$

Note that  $R_{\text{REF}}$  is connected to the  $+V_{\text{REF}}$  terminal of the DAC-08 (pin 14), and another, identical, resistor is connected between the  $-V_{\text{REF}}$  terminal (pin 15) and ground. This resistor is a bias compensation measure that can be deleted if a slight error is tolerable in the particular application where the DAC-08 is selected.

Operation from a negative reference source can be accommodated by simply switching the roles of the two input resistors. The resistor from pin 14 will be grounded, while the resistor from pin 15 will be connected to the negative reference voltage instead of ground.

Regardless of the reference polarity, however, large errors could result if ordinary carbon composition resistors are used for establishing the reference current. The use of precision, low-temperature-coefficient resistors is highly recommended.

An alternate circuit for the input reference current is shown in Fig. 11-3B. Normally, the reference current will track the full-scale current very closely, so trimming of the reference current at the full-scale point often proves unnecessary. But in those cases where

trimming is required, the circuit of Fig. 11-3B can be substituted for the original input circuit using just the resistors. Both the fixed resistor and the potentiometer should be low-temperature-coefficient devices, and additionally the potentiometer should be a ten-turn or more trimmer pot.

Although it is not always necessary, a bypass capacitor is recommended whenever DC reference sources are used on the DAC-08. The proper procedure is to split the reference resistance between two resistors in series, then bypass the junction of the two resistors to ground through a  $0.1 \mu\text{F}$  capacitor.

The main power supply connections to the DAC-08 are straightforward, so require little comment beyond the usual admonition to keep the  $0.1 \mu\text{F}$  bypass capacitors ( $C_2$  and  $C_3$  in Fig. 11-3A) as close to the body of the DAC-08 as possible. Additionally, a  $0.01 \mu\text{F}$  frequency-compensation capacitor ( $C_1$  in Fig. 11-3A) is connected between  $V(-)$  and the compensation terminal (pin 16). Make the leads of  $C_1$  as short as possible also.

The reference voltage is critical to the accuracy of any D/A converter. Nonmultiplying D/A converters use an internal reference source that may or may not be externally trimmable by a potentiometer. Multiplying D/A converters such as the DAC-08, on the other hand, require that an external reference voltage be provided. Errors in the reference supply are directly reflected as errors in the output current, so precision is required, unless (of course) accuracy is unimportant.

Never use the  $V(+)$  or  $V(-)$  power supply voltages as the reference supply. If they change, and they will change, then an error in the output current will result. The only proper way to use the power supply as the reference is to use a voltage regulator between the supply and the reference input on the DAC-08. There are no circumstances where it is proper to use a +5-volt supply that also serves TTL or DTL circuitry as the reference.

In low-precision applications a simple zener diode and series resistor combination may suffice for the reference voltage supply. But this type of regulator is subject to thermal drift and large, nontrimmable errors in the actual voltage (the rated voltage on a

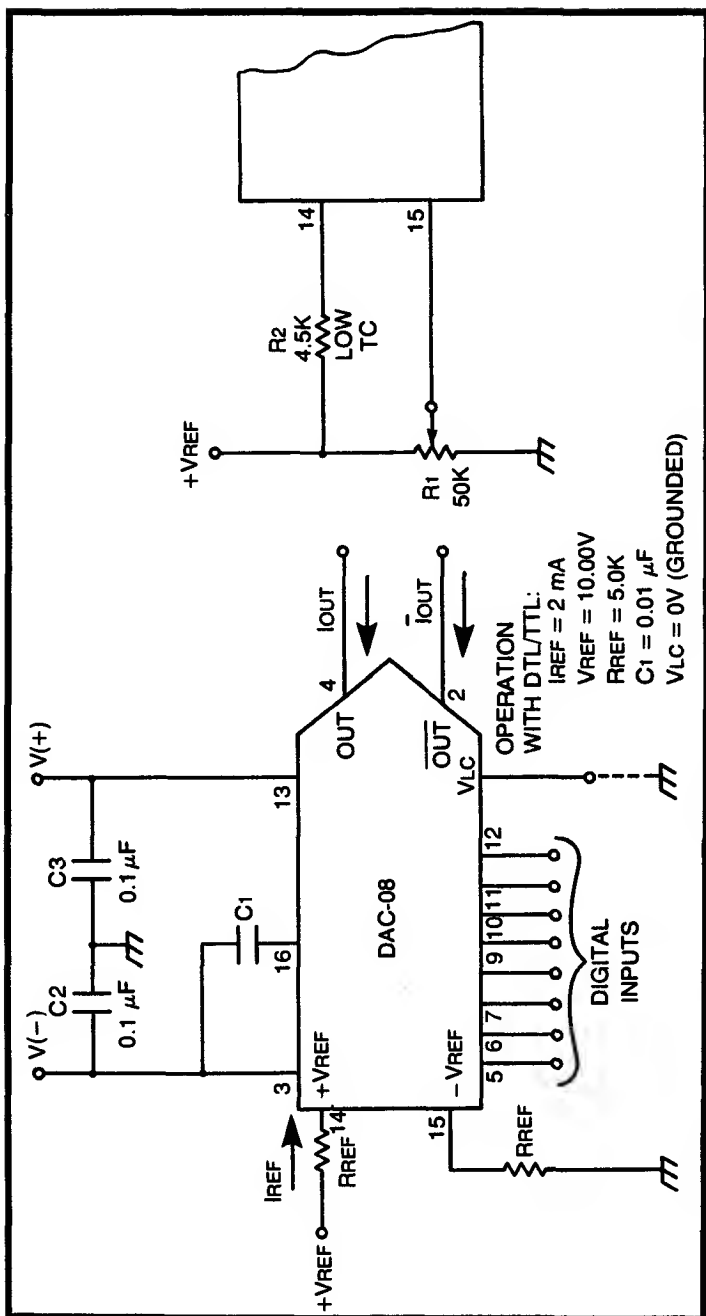


Fig. 11-3. DAC-08. (A) Basic connections. (B) Output trimming.

zener diode is a nominal value unless special reference diodes are obtained, in which case a premium price is paid to have someone sit down at a test console at the plant and hand select those that are very close to the rated zener potential). Two alternative reference power supplies are shown in Fig. 11-4.

Figure 11-4A shows the use of a Precision Monolithics, Inc. REF-01 (or REF-02 if a 5.00-volt reference is required) precision reference voltage source. The REF-01 is an integrated circuit regulator in an eight-pin metal can; it will provide an output that is trimmable to exactly +10.00 volts. The input voltage can be the  $V(+)$  power supply, provided that  $V(+)$  is greater than about +12 volts DC. The REF-01 and its 5-volt cousin, the REF-02, are highly recommended to create +10- and +5-volt reference supplies.

A slightly inferior, but still quite useful, method for obtaining the reference potential is shown in Fig. 11-4B. This circuit uses an operational amplifier and a reference-grade zener diode to produce an output voltage that can be used as  $V_{REF}$ . The operational amplifier should be a moderate to high-grade (preferably frequency compensated) type such as the 101/201/301 series, or the RCA CA3060. The zener diode should be a reference-grade diode to insure that  $V_Z$  will remain stable over moderate temperature changes. Be aware that National Semiconductor makes a four-terminal zener in which the reference diode is across two terminals and a heater element that keeps the internal temperature constant is across the others. All resistors used in this circuit must be precision, low-temperature-coefficient types in order that thermal drift is minimized.

The output voltage can be found from the ordinary rules for operational amplifiers, namely:

$$I_2 = I_3 \quad (11.6)$$

$$I_2 = V_Z/R_2 \quad (11.7)$$

$$I_3 = (V_{REF} - V_Z)/R_3 \quad (11.8)$$

So, by substituting Eqs. 11.7 and 11.8 into Eq. 11.6:

$$\frac{V_Z}{R_2} = \frac{V_{REF} - V_Z}{R_3} \quad (11.9)$$

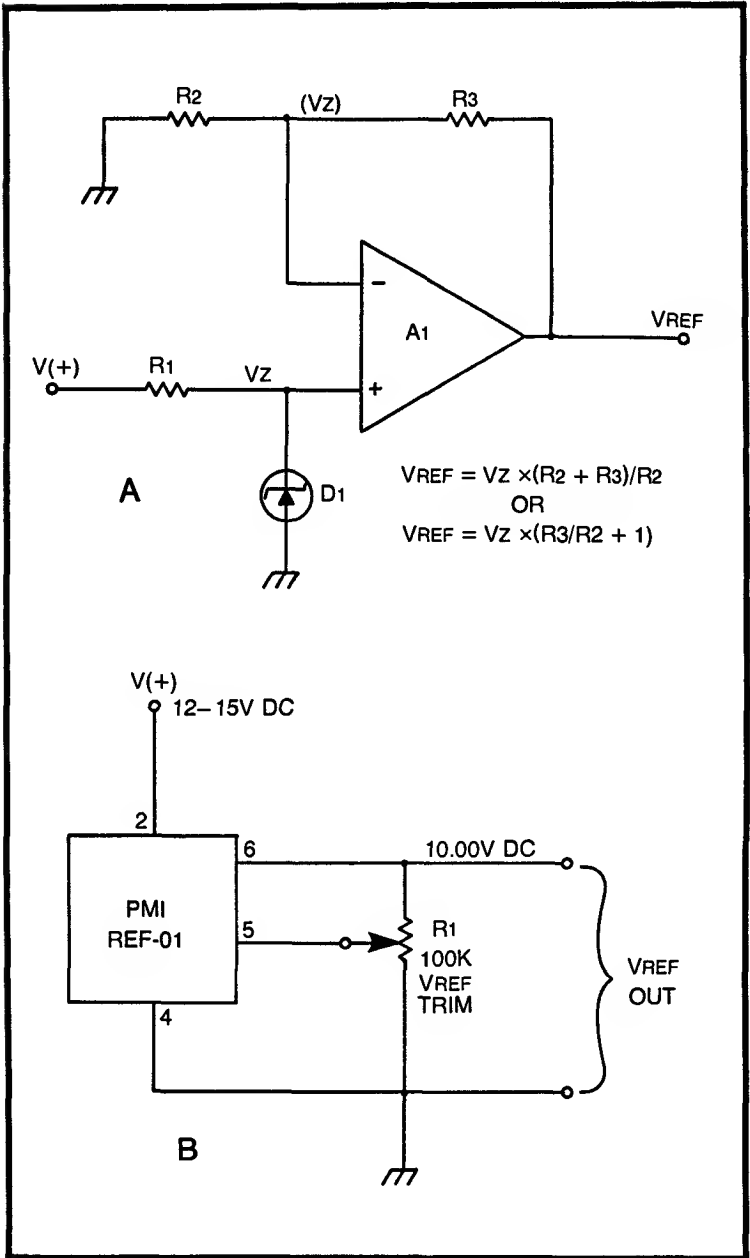


Fig. 11-4. Precision reference voltage sources. (A) Using the PMI REF-01 IC regulator. (B) Operational amplifier circuit.

$$\frac{V_Z}{R_2} = \frac{V_{REF}}{R_3} - \frac{V_Z}{R_3} \quad (11.10)$$

$$\frac{V_Z}{R_2} + \frac{V_Z}{R_3} = \frac{V_{ref}}{R_3} \quad (11.11)$$

$$V_Z \times \left( \frac{R_3}{R_2} + \frac{R_3}{R_3} \right) = V_{REF} \quad (11.12)$$

$$V_Z \times \left( \frac{R_3}{R_2} + 1 \right) = V_{REF} \quad (11.13)$$

### Example 11-6

Find the reference voltage created by the circuit in Fig. 11-4B if the zener potential is +2.5 volts, and the resistor values are  $R_3 = 5.6\text{K}$ , and  $R_2 = 1\text{K}$ .

**Solution:**

$$\begin{aligned} V_{REF} &= V_Z \left[ \frac{R_3}{R_2} + 1 \right] && \text{(Eq. 11.13)} \\ &= (2.5) \left[ \frac{5.6}{1} + 1 \right] \\ &= (2.5)(6.6) \\ &= 16.5 \text{ volts} \end{aligned}$$

One may wish to combine these two methods for creating reference voltages by substituting either the REF-01 or REF-02 for the zener diode in Fig. 11-4B. In later circuit examples we will require a +2.56-volt power supply for a reference source, and will require stability greater than is normally obtainable using zener diodes.

### Example 11-7

Find a resistor ratio  $R_3/R_2$  that will produce a +2.56-volt output from a circuit such as Fig. 11-4B if a REF-01 reference supply is adjusted to give an output of +10.00 volts.

### Solution:

Use Eq. 11.13 and solve for the case where  $V_Z$  is 10.00 volts,  $V_{REF}$  is +2.56 volts, and the expression inside of the brackets evaluates to 2.56/10, or 0.256.

$$\begin{aligned}[(R_3/R_2) + 1] &= 0.256 \\ R_3/R_2 &= 0.256 - 1 \\ R_3/R_2 &= 0.744\end{aligned}$$

If  $R_2$  is set to 2.7K, then  $R_3$  will be 2.0088K, which can be trimmed by using a 2K fixed resistor and a potentiometer in series. Note that there is only 8.8 ohms, or 0.4% error if the 2K precision resistor is used without the potentiometer. In fact, a 0.05% tolerance precision resistor has a range of possible values that is greater than the 8.8 ohm difference.

Thus far we have been assuming a current output for the DAC-08, but voltage outputs can also be accommodated if we take advantage of Georg Simon Ohm's magnificent discovery: the simplest technique for generating a voltage output is to connect a resistor between the  $I_{OUT}$  output and ground (Fig. 11-5A), and another, identical resistor between  $\bar{I}_{OUT}$  and ground. The output voltages that will be generated if a 2-milliampere reference is used are as follows:

| Condition  | Binary Input | $I_o^*$ | $E_o^*$ | $I_o^*$ | $E_o^*$ |
|------------|--------------|---------|---------|---------|---------|
| full scale | 11111111     | 1.992   | -9.960  | 0.000   | 0.000   |
| half scale | 10000000     | 1.000   | -5.000  | 0.992   | -4.960  |
| zero scale | 00000000     | 0.000   | 0.000   | 1.992   | -9.960  |

\*—All currents in milliamperes, voltages in volts.

The circuit in Fig. 11-5A suffers from a high output impedance, which could prove troublesome in many applications. A perfect voltage source, after all, has a zero-ohms output impedance, and a good voltage source will have an output impedance that is very low, less than 100 ohms, preferably.

A low output impedance is obtained by using an operational amplifier current-to-voltage converter following the DAC-08. For negative operation use a noninverting follower circuit, and for positive output use the inverting follower.

The noninverting case is not shown, but is simple enough. Just connect a noninverting follower (unity-gain version unless you want



the ability to trim the full-scale output without upsetting the reference current network) to either  $E_{OUT}$  or  $\overline{E}_{OUT}$  in Fig. 11-5A.

Positive output voltages are attained using a circuit such as Fig. 11-5B. Here we use an operational amplifier in the inverting follower mode as a current-to-voltage converter. Since the output of the DAC-08 is a current, no input resistance is necessary for the operational amplifier. Output voltage  $E_{OUT}$  is given by

$$E_{OUT} = I_{OUT} \times R_1 \quad (11.14)$$

where  $E_{OUT}$  is the output voltage in volts,  $I_{OUT}$  is the DAC-08 output current in amperes, and  $R_1$  is given in ohms. (Note: Most DAC-08 literature gives the values of  $I_{OUT}$  in milliamperes. In that case,  $R_1$  would be given in kilohms).

#### Example 11-8

Find the output voltage  $E_{OUT}$  if  $R_1$  is 2200 ohms, and  $I_{OUT}$  is 1.5 mA.

**Solution:**

$$\begin{aligned} E_{OUT} &= I_{OUT} \times R_1 && \text{(from Eq. 11.14)} \\ &= (0.0015)(2200) \\ &= 3.3 \text{ volts} \end{aligned}$$

Note that  $R_1$  in Fig. 11-5B can be used as a full-scale trimmer, if desired. Simply make  $R_1$  a potentiometer, or better yet, a series combination of a potentiometer and a low-temperature-coefficient fixed resistor. For 10-volt full-scale operation with a reference current of 2 milliamperes,  $R_1$  should be 5K.

All of our examples up to this point have been unipolar, the output voltage could only be negative or positive. Bipolar operation of the DAC-08 allows both positive and negative output voltages. Of course, this is not exactly free; a few trade-offs are involved. Either the maximum output voltage, or the resolution suffers in bipolar (as opposed to the levels obtained in unipolar) operation.

The *span* is the difference between the maximum and minimum output voltages. In a unipolar voltage output circuit the span is the maximum output voltage (the minimum being zero), and the resolution is the maximum output voltage divided by  $2^n$ , which is 256 for eight-bit circuits. In our eight-bit example with a nominal full-scale

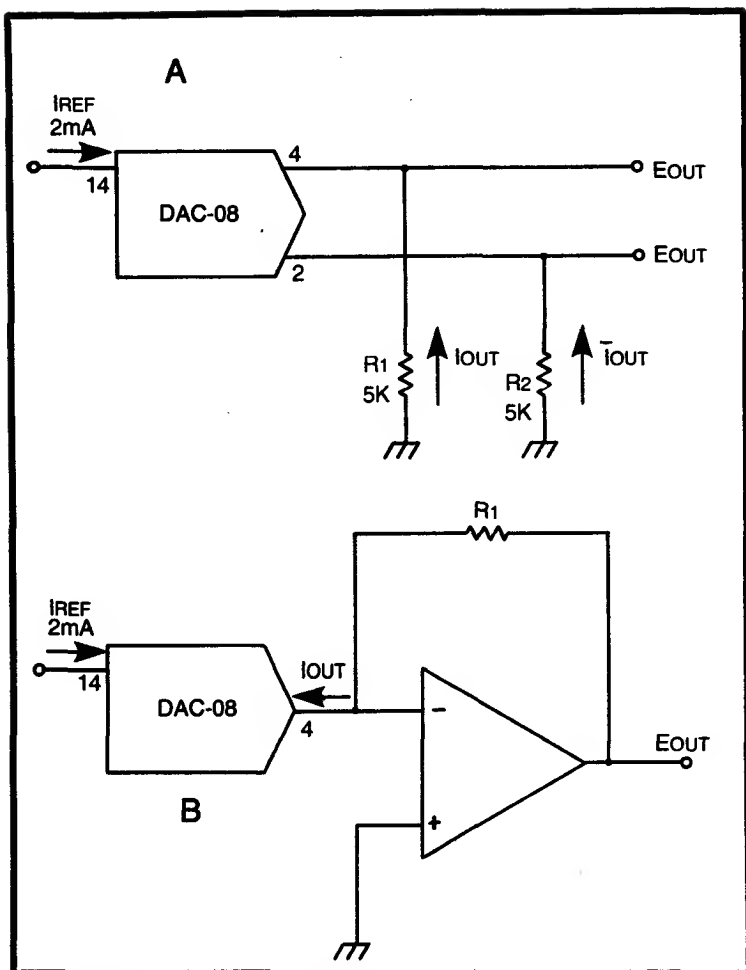


Fig. 11-5. Voltage output circuits (A) Simple type. (B) Low-impedance type.

voltage of 10 volts, the span is 10 volts, and the resolution (volt/step) is  $10.00/256$ , or 39 millivolts (nominally 40) per step.

In bipolar operation we lose either the maximum output voltage or the resolution in most cases. If, for example, we want to keep the 40 millivolt/step resolution, then we must limit the maximum output voltages to  $\pm 5$  volts, rather than  $\pm 10$  volts. If, on the other hand, we wish to maintain the maximum output voltage (i.e.,  $\pm 10$  volts), we will have a span of  $(10) - (-10)$ , or +20 volts. In that case the

resolution deteriorates to 20/256, or about 80 millivolts per step. The decision that must be made, therefore, is whether the important property of the converter is a higher maximum output voltage or tighter resolution.

The simplest bipolar output voltage circuit is shown in Fig. 11-6A. Resistors  $R_1$  and  $R_2$  are connected back to the positive reference voltage. The output levels for this circuit are as follows:

| Condition      | Binary input | $E_{out}$ | $\bar{E}_{out}$ |
|----------------|--------------|-----------|-----------------|
| Full scale (+) | 11111111     | -9.920    | +10.000         |
| Zero scale     | 10000000     | 0.000     | +0.080          |
| Full scale(-)  | 00000000     | +10.000   | -9.920          |

Note that the output voltage (i.e.,  $E_{out}$ ) is *asymmetrical* about zero because the full-scale positive and negative voltages are *not equal*. This is the result of having an even number of states (i.e., 256) evenly distributed about zero, there is no unique state that can represent true zero because zero is neither positive nor negative. The circuit in Fig. 11-6B shows a low output impedance circuit that will create a *symmetrical* output voltage function, which is given as follows:

| Condition     | Binary Input | $E_{out}$ |
|---------------|--------------|-----------|
| Full scale(+) | 11111111     | +9.920    |
| (+) zero      | 10000000     | +0.040    |
| (-) zero      | 01111111     | -0.040    |
| Full scale(-) | 00000000     | -9.920    |

In the unipolar and asymmetrical bipolar circuits there is no ambiguity over zero. In the case of the unipolar output zero is 0 volts output, while in the asymmetrical bipolar zero is assigned a voltage of +80 millivolts. But in symmetrical bipolar operation the nearest we can get to 0 volts output is  $\pm \frac{1}{2}$  LSB voltage (i.e., the resolution voltage, in this case 40 millivolts). In the circuit shown the resolution voltage, that voltage that will exist when the input is LSB (00000001) is 80 millivolts, so  $\frac{1}{2}$ LSB will be  $\frac{1}{2}(80)$ , or 40 millivolts. The zero point will be  $\pm 40$  millivolts. We must, in any given application, define our true zero as either +40 millivolts, or -40 millivolts; a concept often referred to as " $\pm$  zero". We can obtain a true zero output in which the code 10000000 produces 0.00 volts output by offsetting the reference current, provided that our range requirements are such that we can live with shifting the codes up or down, and the loss of the maximum output voltage at one limit.

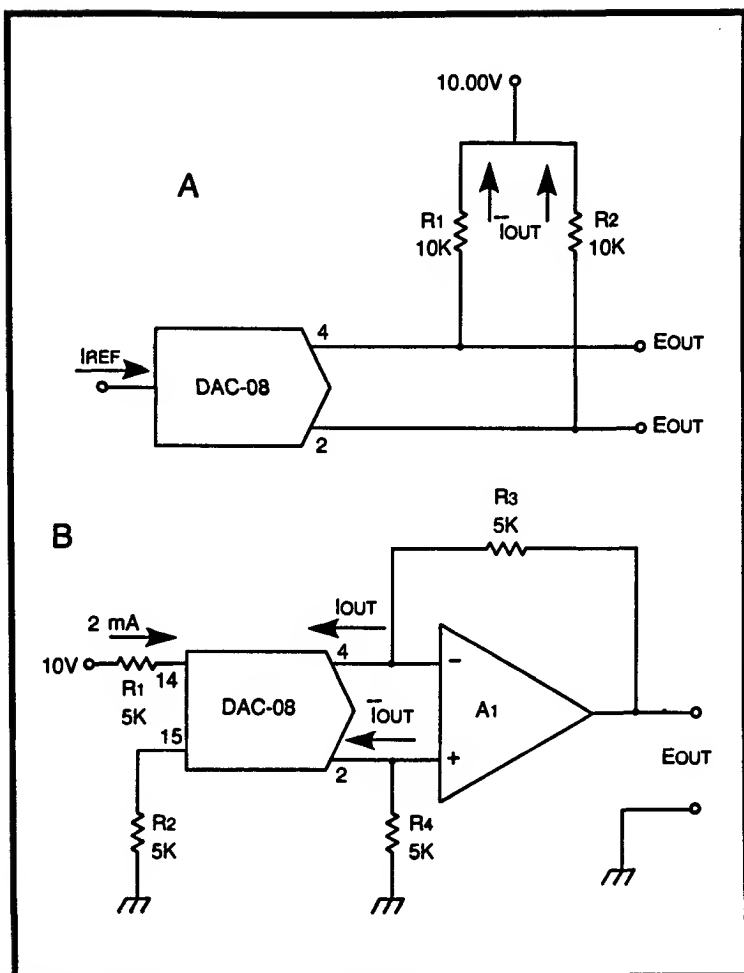


Fig. 11-6. Bipolar voltage output circuits. (A) Simple type. (B) Low-impedance type.

The DAC-08 can be used with both AC and pulsed reference supplies, in addition to the DC supplies discussed thus far. This feature allows the DAC-08 to be used in a wide variety of applications not open to nonmultiplying D/A devices. Figure 11-7 shows the proper circuit configurations appropriate for this type of operation.

Operation using AC reference is shown in Fig. 11-7A and 11-7B. In the example of Fig. 11-7A the reference DC and AC

signals are combined at pin 14 of the DAC-08. A constraint imposed on this type of operation is that the DC reference current must be greater than or equal to the peak negative swing of the AC reference sine wave.

An alternate circuit is shown in Fig. 11-7B, and it provides a high impedance input for the AC reference voltage (the reference voltage inputs of the DAC-08 are operational amplifier inputs). In this circuit both of the DAC-08 reference pins must be connected to their own reference resistor. A constraint imposed on this circuit is that the positive DC reference voltage must be greater than the peak positive swing of the AC reference signal.

The reference amplifier inside of the DAC-08 must be frequency compensated for AC operation. A capacitor from pin 16 of the DAC-08 to the  $V(-)$  power supply terminal must be provided. The material to follow lists the minimum values for the capacitor for several different values of reference resistance. For values not listed use an approximately scaled capacitance relative to the resistances shown.

| RREF | C      |
|------|--------|
| 1K   | 15 pF  |
| 2.5K | 37 pF  |
| 5K   | 75 pF  |
| 10K  | 150 pF |

In pulsed operation (Fig. 11-7C) it is wise to use low values of reference resistor so that low values of compensation capacitance may be used. High capacitance values deteriorate the bandwidth, thereby decreasing the slew rate; a condition not conducive to the proper operation of a pulse circuit.

At a reference resistance of 1K ( $C = 15$  pF) the slew rate of the circuit is approximately  $16 \text{ mA}/\mu\text{sec}$ . The pulse shown in Fig. 11-7C can have a rise time on the order of 500 nanoseconds.

The DAC-08 may be *strobed* on and off under program or logic control (i.e., by one bit of a microcomputer output port) by using a circuit such as Fig. 11-8 in conjunction with the low impedance output circuit of Fig. 11-5B. In this circuit the 7404 TTL inverter is used to vary the threshold voltage applied to the DAC-08. When the input command applied to the 7404 is low, then the threshold voltage

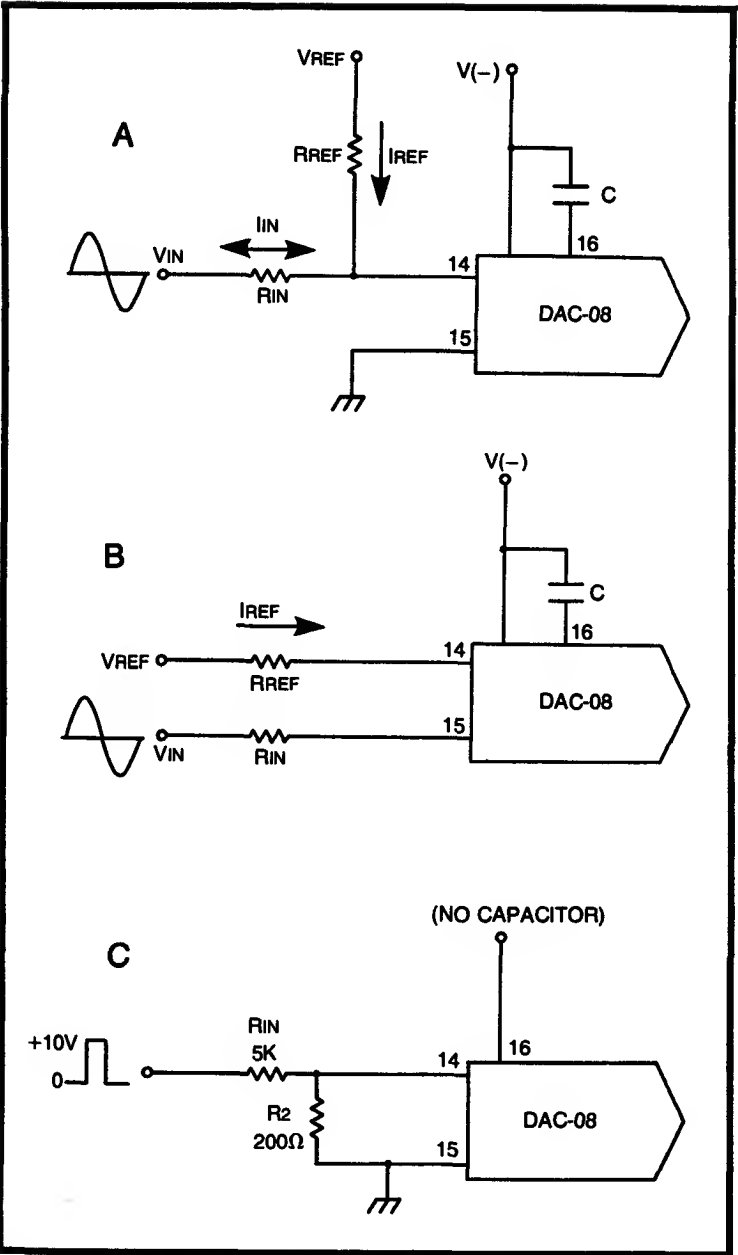


Fig. 11-7. Reference circuits (A) Simple AC type. (B) High input impedance version. (C) pulsed reference circuit.

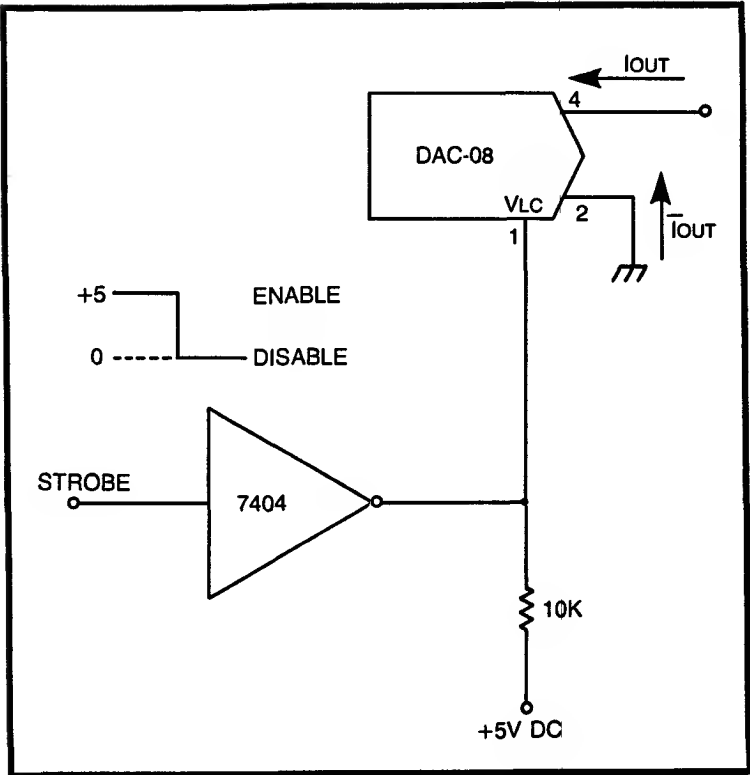


Fig. 11-8. Strobing the DAC-08 under logic control.

( $V_{TH}$ ) of the DAC-08 is raised to  $5 + 1.4$ , or 6.4 volts. Since the digital input terminals are connected to TTL sources none will ever exceed the 6.4-volt trip threshold, no matter which state they are in. The DAC-08 thinks it sees all zeros, so all current flow is in  $I_{OUT}$  to ground, making  $I_{OUT}$  zero, hence  $E_{OUT} = 0$

When a high is applied to the input of the 7404 the  $V_{LC}$  terminal of the DAC-08 becomes grounded, which is the normal condition for operation with TTL inputs. Keep in mind, however, that the 7404 output terminal might not sink enough current to drop the voltage at pin 1 of the DAC-08 all the way to zero, so the threshold voltage might be a little bit higher than the nominal 1.4 volts normally observed. The minor constraint requires that we be sure of our TTL levels, and that they not be allowed to become sloppy.

## THE 1408 D/A CONVERTER

The 1408-type D/A converter is available from Motorola Semiconductor Products as the MC1408, while PMI and Advanced Micro Devices offer it under the generic 1408-type number. The 1408 is another low-cost current output D/A converter in integrated circuit form. The block diagram for the 1408 is shown in Fig. 11-9A, while the pin layout for the 16-pin DIP is shown in Fig. 11-9B.

The 1408 is provided with both positive and negative reference voltage terminals. The DAC-08, you will recall, used a similar arrangement, except that current inputs are specified.

Both positive and negative reference sources can be accommodated, but the configuration must be changed so that current always flows in to pin 14. A positive reference voltage requires that pin 15 be directed to ground through a resistor, and that the  $V_{REF(+)}$  terminal be connected to the reference voltage through a resistor.

The same rules regarding frequency compensation apply to both the 1408 and the DAC-08, so will not be reiterated here. In fact, the similarity between these two devices is so marked that one is led to the conclusion that the DAC-08 is essentially an improved second generation 1408.

## THE DAC-05

The eight-bit D/A converter has become a low-cost favorite because of two factors: many applications are suitable for eight-bit representation, and most common microprocessor chips are in the eight-bit format, so will be easily interfaced with eight-bit D/A converters.

There are situations, however, where eight bits are not sufficient; although most such cases are where the D/A converter is used in the feedback loop of certain types of analog-to-digital converters (see Chapter 12). Consider an eight-bit D/A converter producing output signals in the 0- to 10-volt range. Each step of the digital input word (i. e., the LSB value) produces a 40-millivolt change in the output voltage:

$$\begin{aligned} E_{LSB} &= E_{FS}/2^n && (11.15) \\ &= 10/256 \\ &= 40 \text{ mV} \end{aligned}$$



But if a ten-bit D/A converter is used instead:

$$\begin{aligned} E_{\text{LSB}} &= 10/2^{10} \\ &= 10/1024 \\ &= 10 \text{ mV} \end{aligned}$$

By the same type of calculation we find that a twelve-bit D/A converter will produce LSB values of 2 millivolts, while a sixteen-bit D/A converter will produce a LSB value of only 0.15 millivolts. Clearly, then, the resolution improves markedly as the number of bits increases. Unfortunately, price increases also, with sixteen-bit D/A converters often costing much more than twice as much as the low-cost eight-bit version. Part of this is attributable to the increased demands placed on the accuracy, stability, and other properties of the internal reference components and the electronic switches, as well as the precision of the  $R-2R$  resistor ladder.

While the sixteen-bit D/A converter tends to be very expensive, several companies offer low-cost integrated circuit D/A converters in 10- and 12-bit configurations. An example is the Precision Monolithics DAC-05, shown in Fig. 11-10.

The DAC-05 can be used in either multiplying or nonmultiplying modes because the internal reference source must be tied to the input of the reference amplifier through an external connection. The reference source comes out on pin 17, while the reference amplifier input is on pin 15.

While the DAC-05 has its own internal reference supply, it may require external trimming for full-scale operation. This is provided by a potentiometer, connected as shown in Fig. 11-10C.

Two grounds are provided on the DAC-05, one each for analog and digital sections of the device. In ordinary practice these two grounds are tied together as close as possible to the DAC-05 package through a heavy ground bus. This is necessary because the heavy dynamic currents in the digital circuits produce voltage drops sufficient to affect the analog circuits. The effects of the digital ground currents cannot be trimmed out because of their dynamic nature.

The DAC-05 is a voltage output device, so contains its own internal operational amplifiers to convert the current from the ladder

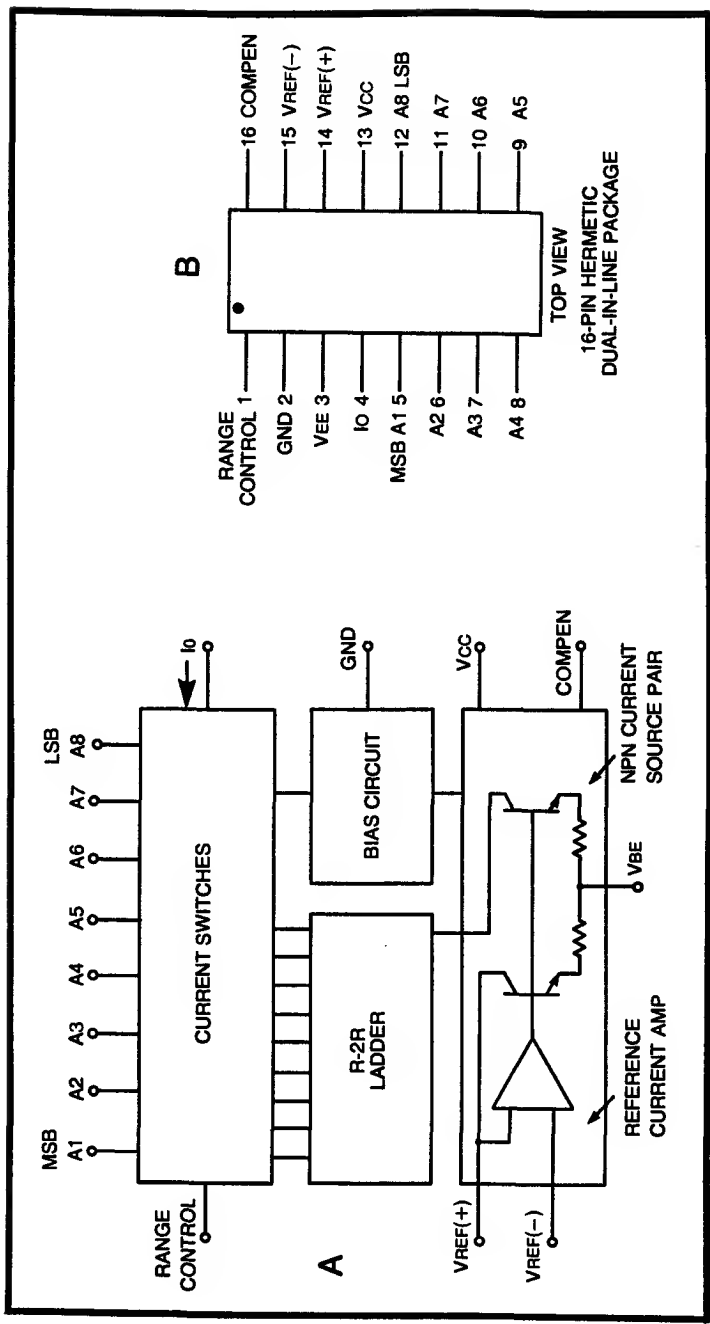


Fig. 11-9. Type 1408 D/A converter. (A) Circuit. (B) Layout. (courtesy of Precision Monolithics, Inc.)

network into a voltage level. Either 5-volt or 10-volt full-scale operation can be specified (prior to purchase) by adding the appropriate suffix to the type number. The suffix *X1* indicates  $\pm 10$ -volt operation, while *X2* denotes  $\pm 5$ -volt operation. Specific information for various grades of DAC-05 is as follows:

| Type Number       | Monotonicity (bits) | Temp Range (°C) |
|-------------------|---------------------|-----------------|
| DAC-05AX1 (or X2) | 10                  | -55/+125        |
| DAC-05BX1 (or X2) | 9                   | -55/+125        |
| DAC-05CX1 (or X2) | 8                   | -55/+125        |
| DAC-05EX1 (or X2) | 10                  | 0/+70           |
| DAC-05FX1 (or X2) | 9                   | 0/+70           |
| DAC-05GX1 (or X2) | 8                   | 0/+70           |

Monotonicity is definable as an increase in output for every increase in the input word. Different grades of the DAC-05 come with different guaranteed monotonicity specifications, so be aware of which is being ordered.

If a DAC-05 is on hand, but fewer than ten bits are required, then ground the unwanted input terminals, effectively setting them to zero. An ungrounded input will be noisy and can be taken as a logic 1.

The DAC-05 is a bipolar device and has a *sign* bit (making it effectively an eleven-bit device) that allows the circuit to distinguish positive from negative, which effectively eliminates the resolution-span dilemma discussed earlier in this chapter. The information that follows shows the coding for various output levels. Notice that plus and minus full-scale entries have the same code, with only the sign bit being different for positive and negative outputs. Similarly, plus and minus half-scale codes are identical, as are  $\pm$  zero.

| Condition    | Sign Bit | Binary Code |
|--------------|----------|-------------|
| + Full scale | 1        | 111111111   |
| + Half scale | 1        | 100000000   |
| + Zero       | 1        | 000000000   |
| - Zero       | 0        | 000000000   |
| - Half scale | 0        | 100000000   |
| - Full scale | 0        | 111111111   |

The sign bit will be *one* for positive and *zero* for negative operation. Unipolar operation results when the sign bit is permanently tied to either +5 volts DC (positive outputs) or ground (negative outputs).

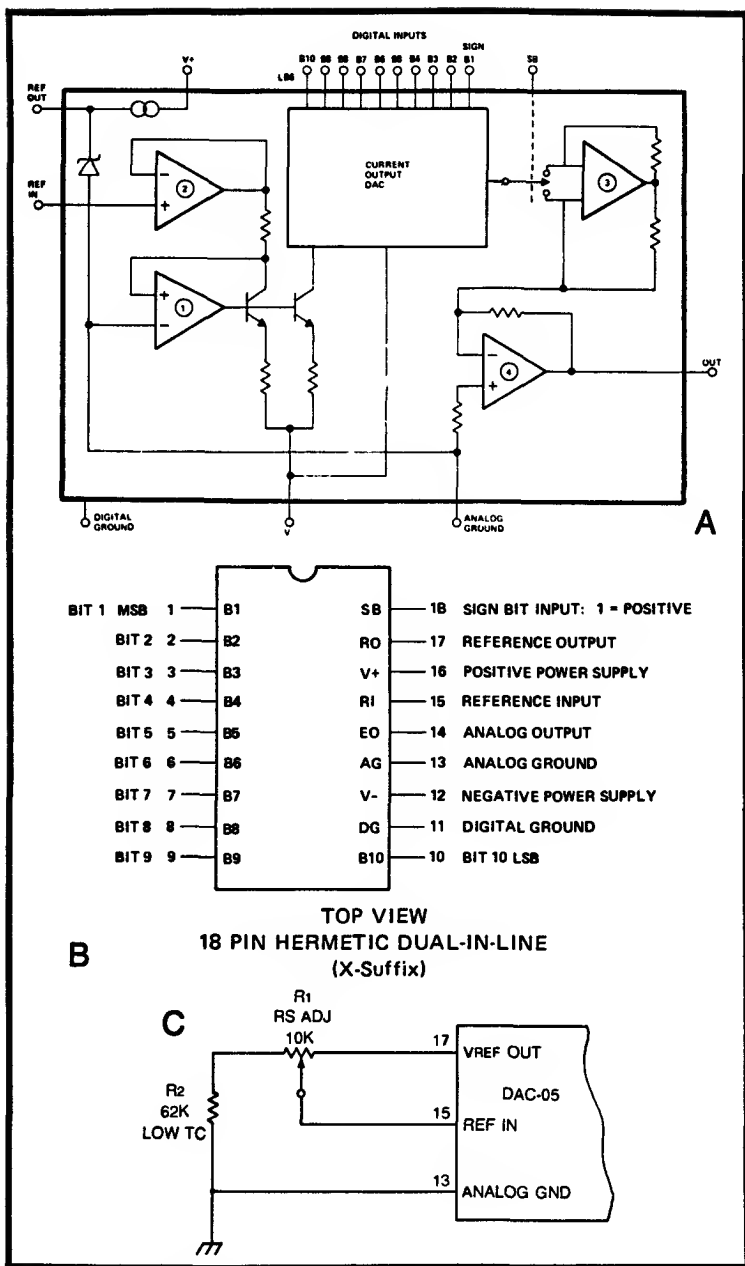


Fig. 11-10. PMI DAC-05. (A) Block diagram. (B) pin layout. (Courtesy of Precision Monolithics, Inc.) (C) VREF trim.

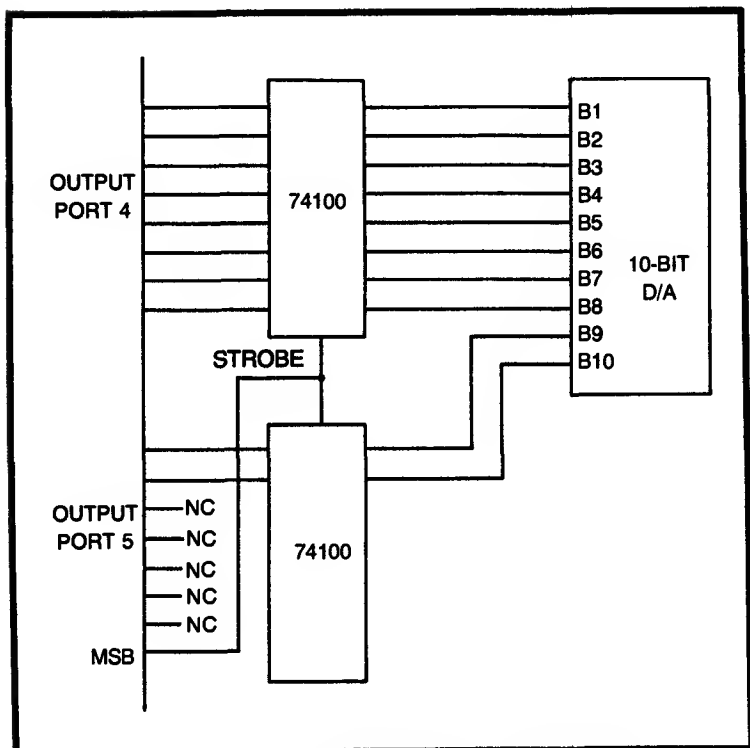


Fig. 11-11. Using a 10-bit D/A converter with an 8-bit microprocessor.

A question that might fairly be asked is “how do you use a ten-bit or more D/A converter on an eight-bit microcomputer” The answer lies in using more than one output port. Let’s say that we have an eight-bit microprocessor, which can address up to 256 different output ports. In the Zilog Z-80 chip, for example, an instruction for output might be  $OUT(n),A$ . This is a two-byte instruction that will place operand  $n$  on the lower byte of the address bus ( $A_0$  through  $A_7$ ) to select any of 256 possible output devices, then the accumulator contents are placed on the data bus. If the ten-bit D/A converter input is tied to a pair of output ports, then the ten bits could be allocated as eight bits from one port, and the remaining two bits from another port. We could then write a subroutine program to perform the data transfer. Let us say, for example, that we have a ten-bit output D/A converter latched as in Fig. 11-11. The lower

eight bits are connected to output port 4, and the upper two bits are connected to output port 5. Our program would have to load the lower eight bits into the accumulator, output them to port 4, load the upper two bits into the accumulator (setting them into the correct slots), then output them to port 5. In some cases an additional latch at the D/A converter input may be desired, so that the D/A converter will see only the entire ten bits at once, rather than climbing to the final value in two steps.

### THE DAC-06

The DAC-06, another PMI product, is shown in Fig. 11-12. It is a straight ten-bit D/A converter (without a sign bit), but responds to twos complement input coding. The complements, or ones complement as it is sometimes called, of a binary number is formed by inverting all of its bits. All *ones* become *zeros*, and all *zeros* become *ones*. The two complement of a binary number is formed by taking the ones complement, then adding one to the LSB. This was discussed in Chapter 9. The input coding for various output levels is as follows:

#### Twos Complement

|       |            |       |
|-------|------------|-------|
| + FS  | 0111111111 | +5    |
| + LSB | 0000000001 | +0.01 |
| 0     | 0000000000 | 0     |
| - LSB | 1111111111 | -0.01 |
| -FS   | 1000000001 | -5    |

#### Ones Complement

|     |            |       |
|-----|------------|-------|
| +FS | 0111111111 | +5    |
| +0  | 0000000000 | +0.01 |
| -0  | 1111111111 | -0.01 |
| -FS | 1000000000 | -5    |

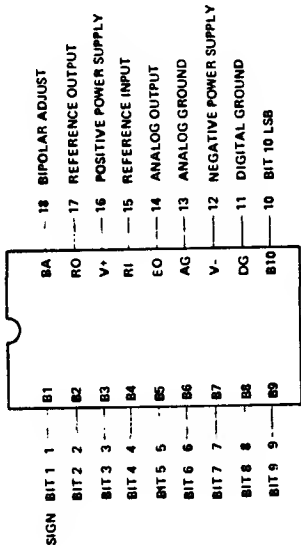
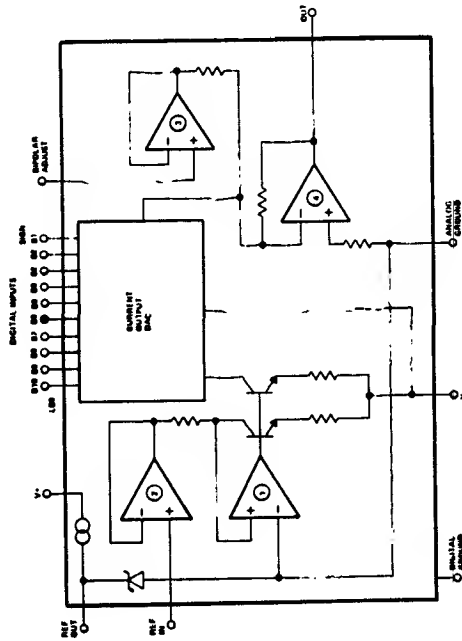
#### Straight Offset Binary

|     |            |        |
|-----|------------|--------|
| +FS | 1111111111 | +5     |
| +0  | 1000000000 | +0.005 |
| -0  | 0111111111 | -0.005 |
| -FS | 0000000000 | -5     |

**SIMPLIFIED SCHEMATIC**

**PIN CONNECTIONS**

**B**



TOP VIEW

18 PIN HERMETIC DUAL-IN-LINE  
(X-Suffix)

Fig. 11-12. PMI DAC-06. (Courtesy of Precision Monolithics, Inc.)

Figure 11-13 shows the adjustment circuit for the DAC-06. The internal reference is used to provide the reference level to both full-scale adjust and bipolar offset adjust input terminals. Of course, an external reference can be provided by disconnecting the top of the potentiometer network from pin 17 of the DAC-06. An external reference is often used to provide superior full-scale temperature coefficient, or to allow several D/A converters in a system to track on the same reference. In the latter case, the internal reference of one D/A converter could be used as a master reference for the system, and all other D/A converters would be slaved to it. Reference output current, however, should not exceed 100 microamperes.

As in other D/A converters containing an analog amplifier, the DAC-06 provides two separate ground pins, one each for analog and

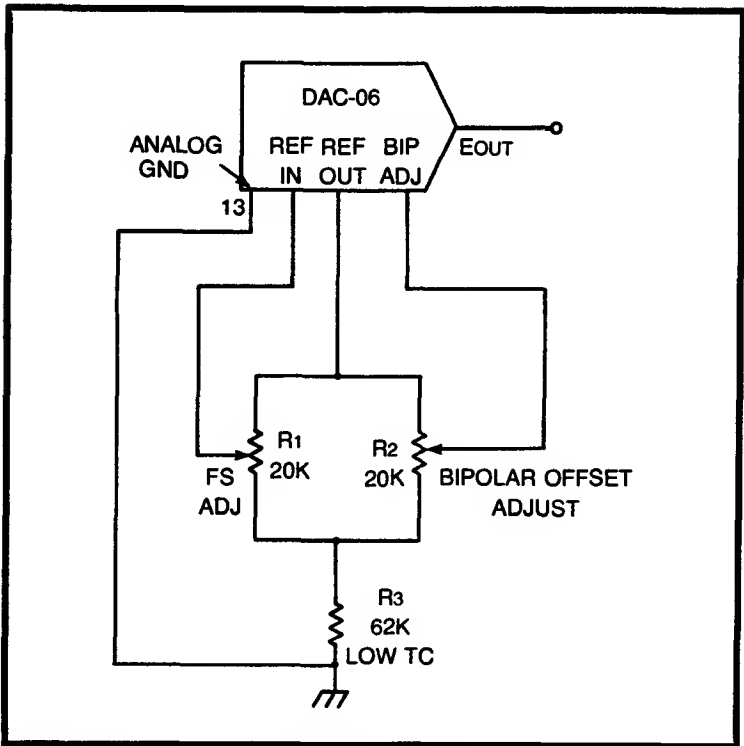


Fig. 11-13. DAC-06 full-scale and bipolar offset adjust circuit.



digital circuits. Again, the requirement is that these be connected together as close to the package of the D/A converter as possible, and that the ground bus be large.

In addition to grounding, the lowest noise operation requires that the reference input and bipolar adjust input be bypassed to the analog ground through  $0.01 \mu\text{F}$  disc ceramic capacitors. The bypass capacitors will improve settling time.

### **Adjustment for Twos Complement Operation**

1. Turn all bits off ( $-V_{FS}$  - LSB) - 1000000000.
2. Adjust bipolar offset adjust  $R_2$  for an output of  $-V_{FS}$  - LSB. For  $\pm 5$ -volt operation this is  $-5.0098$  volts.
3. Turn all bits on ( $+V_{FS}$ ) - 0111111111.
4. Adjust FS; adjust  $R_1$  for full-scale output (i.e.,  $+5$  volts).
5. Repeat the procedure until no further improvement is noted.

### **Adjustment for Ones Complement Code**

1. Turn off all bits ( $-V_{FS}$ ) - 1000000000.
2. Adjust bipolar offset adjust  $R_2$  for  $-V_{FS}$  output. For  $\pm 5$ -volt operation this is  $-5.000$  volts.
3. Turn all bits on ( $+V_{FS}$ ) - 0111111111.
4. Adjust FS; adjust  $R_1$  for the desired full-scale output (i.e.,  $+5.000$  volts). Note that  $+zero$  is  $+5$  millivolts and  $-zero$  is  $-5$  millivolts.

### **Adjustment for Straight Offset Binary Code**

Straight offset binary operation is identical to ones complement, except that the MSB occurs in true binary rather than in complement form (i.e., inverted). The DAC-06 can be operated in straight offset binary if the MSB is inverted. Connect an inverter between the input source and the MSB terminal on the DAC-06, then perform the ones complement calibration procedure.

## **THE DAC-20**

The DAC-20 by PMI is shown in Fig. 11-14. It is billed as a two-digit BCD high-speed multiplying D/A converter. This device

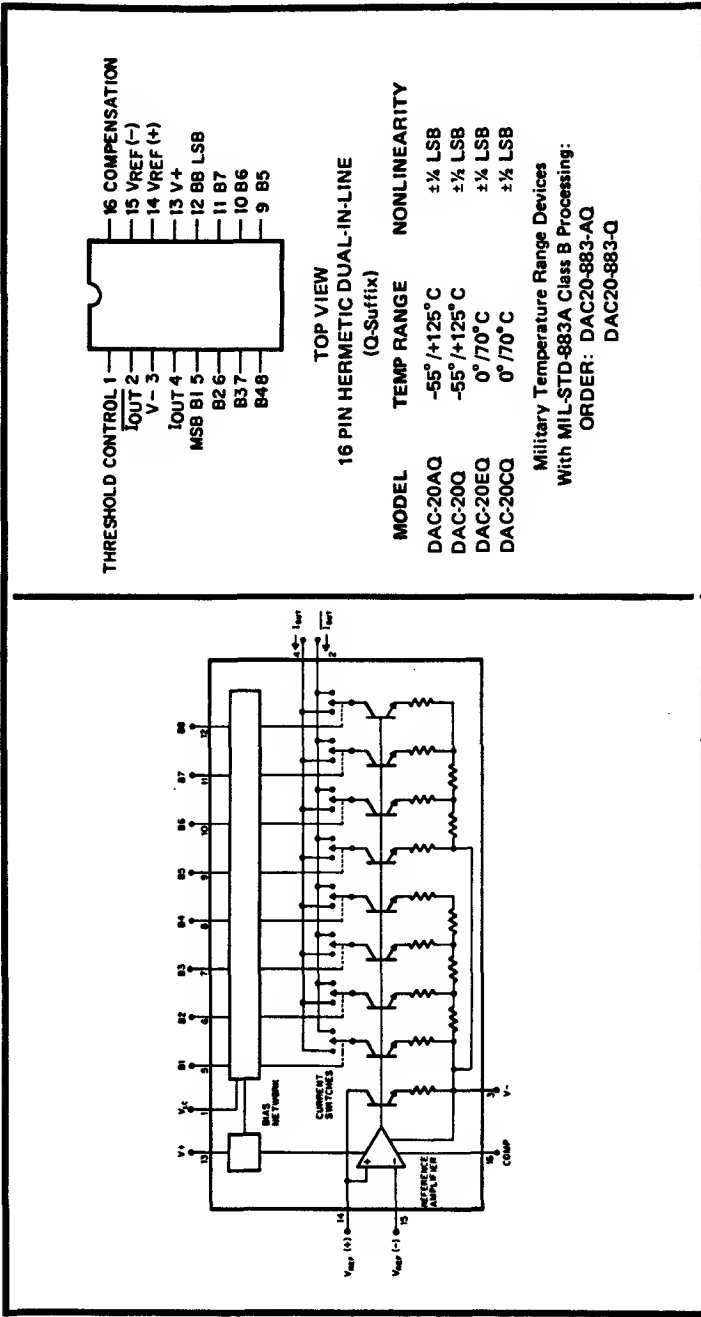


Fig. 11-14. PMI DAC-20(BCD input coding). (Courtesy of Precision Monolithics, Inc.)

uses the standard  $R-2R$  resistance ladder, but lacks an output amplifier, so it is a current output D/A converter.

The input coding is a little different on this device in that it accepts two four-bit BCD digits rather than ordinary eight-bit binary coding. In other respects the DAC-20 is very similar to the DAC-08. Nonlinearity specifications as tight as  $\pm\frac{1}{4}$ LSB are possible, and will hold true over the entire  $\pm 4.5$ - to  $\pm 18$ -volt DC power supply range.

BCD coding is often viewed as being too clumsy for use in digital circuits unless a decimal readout device such as a seven-segment LED display or Nixie tube is desired. But when BCD is the available code, or where the use of a prepackaged digital panel meter would prove the best means for digitization, then a BCD D/A converter might be indicated. An example might be to produce a control signal, or possibly a signal to a strip-chart recorder, from a digital panel meter or frequency counter data output connector.

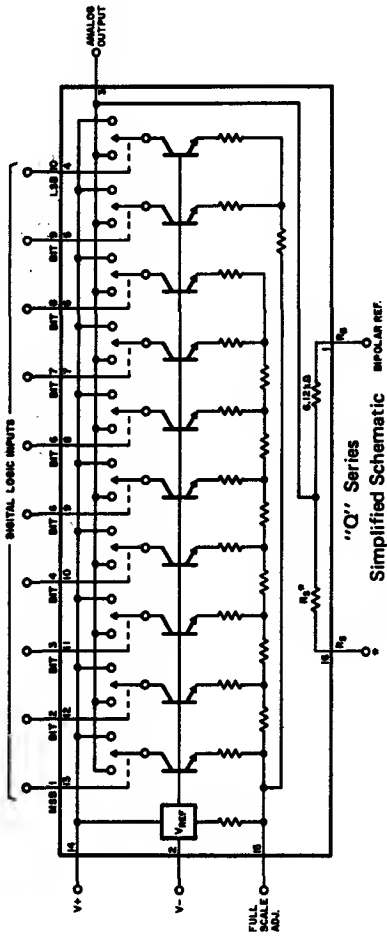
The same hookup and reference current design rules apply also the DAC-20 as applied to the DAC-08. The output levels and input codes for the positive mode of operation are as follows:

| Decimal Input | Binary Input |      | I <sub>out</sub> (mA) | E <sub>out</sub> (volts) |
|---------------|--------------|------|-----------------------|--------------------------|
|               | MSD          | LSD  |                       |                          |
| 0             | 0000         | 0000 | 0                     | 0                        |
| 10            | 0001         | 0000 | 0.20                  | +1.0                     |
| 20            | 0010         | 0000 | 0.40                  | +2.0                     |
| 30            | 0011         | 0000 | 0.60                  | +3.0                     |
| 40            | 0100         | 0000 | 0.80                  | +4.0                     |
| 80            | 1000         | 0000 | 1.60                  | +8.0                     |
| 99            | 1001         | 1001 | 1.98                  | +9.9                     |

## THE DAC-100

The PMI DAC-100 (see Fig. 11-15) is an eight-bit or ten-bit D/A converter (as ordered) with an internal reference source. It uses the standard  $R-2R$  resistance ladder technique, but lacks the internal output amplifier. The DAC-100 is a current output device.

\*For 10V or  $\pm 5V$  Operation  
 $R_S = 4.88k\Omega$  (Package Q1, Q3, Q5, Q7)  
 For 5V or  $\pm 2.5V$  Operation,  
 $R_S = 2.44k\Omega$  (Package Q2, Q4 or Q6, Q8)



16 PIN HERMETIC  
 DUAL-IN-LINE  
 (Q-Suffix)

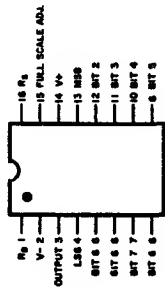


Fig. 11-15. PMI DAC-100. (Courtesy of Precision Monolithics, Inc.)

The input coding for the DAC-100 is complementary binary for unipolar operation, and offset complementary binary for bipolar operation.

In previous cases any unused digital inputs were tied to ground (i.e., logic 0), but since complement coding is used in the DAC-100, unused inputs should be tied to a voltage source that is greater than +2.2 volts DC.

Full-scale adjustment is provided by placing a 200-ohm potentiometer that is rheostat connected (i.e., one end strapped to the wiper terminal) between  $V(-)$  and the full-scale adjust terminal (pin 15).

For operation in the bipolar mode it is necessary for a half-scale current to be summed with the D/A converter output current. This is done by connecting pin 1 through a 5000-ohm zero adjust potentiometer (also rheostat connected) to a precision +6.4-volt DC source. Pin 16 of the DAC-100 goes to an internal resistance ( $R_s$ ) that can be used as the feedback resistor of an external operational amplifier inverting follower. Such a circuit would provide voltage output capability.

## SOME PRACTICAL D/A CIRCUITS

In this section we will discuss some practical circuits involving digital-to-analog converters. These can be constructed as is, or modified by the user for a specific application which I cannot predict.

Figure 11-16 shows an example of a D/A converter circuit using the Ferranti ZN425E integrated circuit. An operational amplifier is used to convert the current output of the D/A converter to a voltage. A 741 or other low-cost operational amplifier can be substituted for the type shown if suitable pin changes are made to the schematic.

The particular circuit shown in Fig. 11-16 has the logic select terminal (pin 2) grounded, so the internal binary counter is disabled. Pins 3 (counter reset) and 4 (clock) are not connected.

The internal voltage reference output (pin 16) is connected to the reference amplifier input (pin 15) in order to eliminate the need for an external reference source. The full-scale output is +3.84 volts.

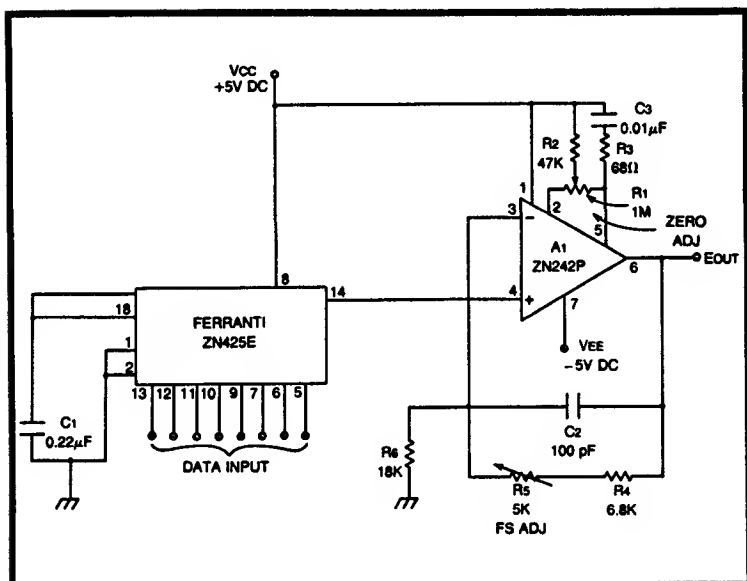


Fig. 11-16. Voltage output D/A converter circuit using the ZN-425E.

### Adjustment Procedure

1. Ground all input bits (set them to 00000000).
2. Adjust zero adjust pot  $R_1$  for 0.000 volts output.
3. Set all input bits high (11111111).
4. Adjust potentiometer  $R_5$  for  $V_{FS} - \text{LSB}$ , which in this case, where LSB is approximately 15 millivolts is  $+3.825$  volts.
5. Repeat the procedure several times until no further improvement is possible.

The converter will now read full scale voltage when all bits are high, and zero when all bits are low. Applying a binary word between 00000000 and 11111111 will result in an output voltage that is between the high and low limits.

A D/A converter circuit based on the DAC-08 is shown in Fig. 11-17. This circuit is designed along the lines given earlier in this chapter for TTL compatibility, so pin 1 ( $V_{LC}$ ) is grounded.

Three power supplies must be provided. Two are  $V_{CC}$  and  $V_{EE}$ , while the third is a +5-volt DC supply for the 74100 TTL integrated

circuit quad latch. In addition, a PMI REF-01 is used to provide the +10.00-volt DC reference potential, which is derived from the +15-volt  $V_{CC}$  line.

$V_{REF}$  adjustment is provided by potentiometer  $R_3$ . This control is used to trim  $V_{REF}$  to exactly 10.00 volts. Potentiometer  $R_2$  provides full-scale adjust, per Fig. 11-3B given earlier in this chapter. Zero adjust is provided by summing an offset current with the DAC-08 output current  $I_{OUT}$  in the inverting input of an operational amplifier that is used as a current-to-voltage converter ( $IC_3$ ).

The DAC-08 input lines are connected to a 74100 TTL dual quad latch to provide a one-byte memory that will hold the input word until a new data word is supplied. As long as the strobe line on the 74100 is low (i.e., zero volts) the word stored previously is held on the output lines, so the DAC-08 sees a constant input word. When the strobe line is brought high, however, data appearing on the 74100 input lines are transferred to the output lines. This new condition will be held on the output lines if the strobe line is now made low.

The 74100 data latch can be disabled if desired by connecting the strobe line to a +5-volt DC point, keeping the strobe permanently high, or it can be deleted altogether. This might be the desirable way to go if the D/A converter circuit is used with a minicomputer that provides its own output latching. If used directly with a microprocessor chip, on the other hand, the data bus will contain the eight-bit D/A converter input word for only a few hundred nanoseconds, so that latch will be required.

Some microprocessor chips have an  $\overline{OUT}$  or  $\overline{OUT}$  line that can be used for strobing the D/A converter. The popular 8080A, for example, has a write ( $\overline{WR}$ ) line that goes low when the data on the output data bus is stable and ready for use. This line can be inverted, then applied to the strobe terminal of the 74100. As long as the  $\overline{WR}$  line is high, data on the data bus is not appropriate for output, but when the  $\overline{WR}$  line drops low the 8080A is telling us that the data is to be outputted.

An alternative strobe technique might be to connect the strobe line to the output of an address decoder. A TTL eight-input NAND

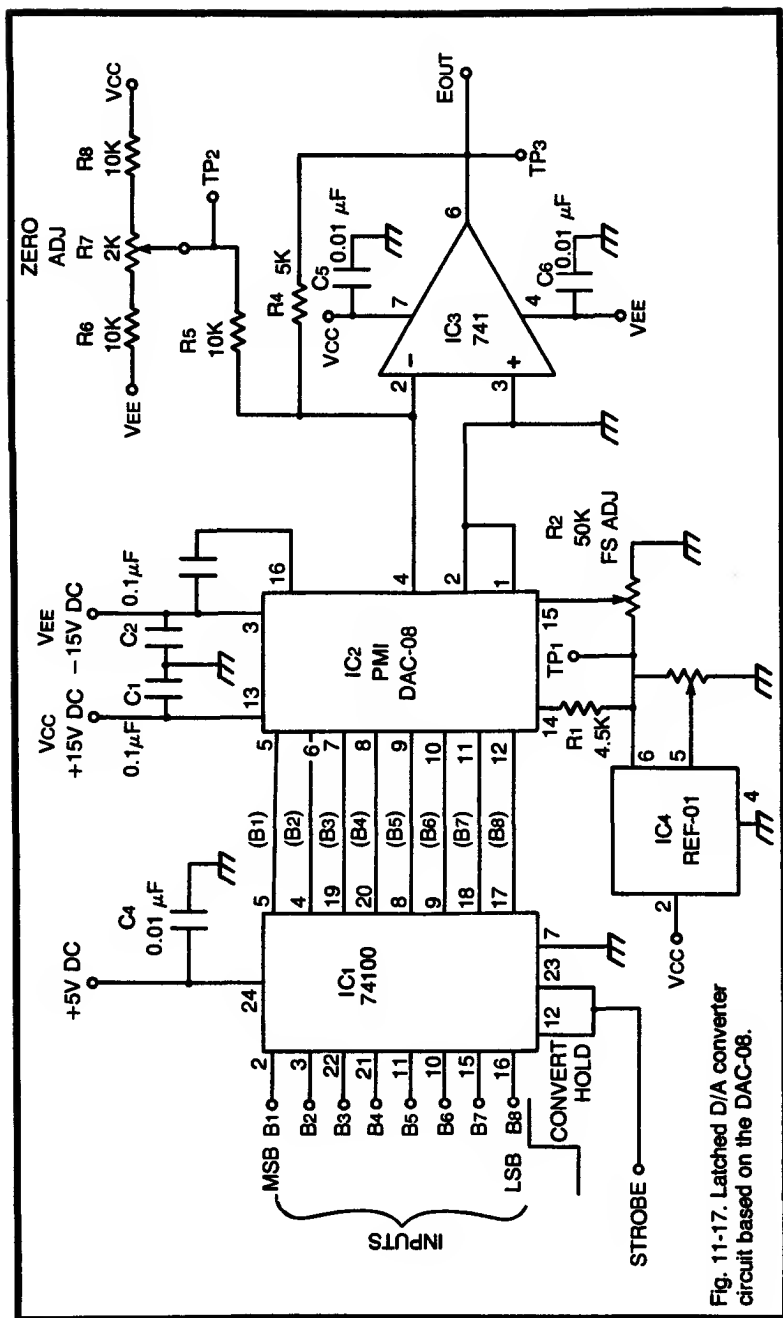


Fig. 11-17. Latched D/A converter circuit based on the DAC-08.



gate such as the 7430, for example, can be used to output a high condition when the output port address selected for the D/A converter is seen on the lower byte of the address bus.

### Adjustment

1. Turn on the circuit and allow to warm up for 5 minutes.
2. Adjust  $V_{REF}$  adjustment  $R_3$  for +10.00 volts at test point  $TP_1$ .
3. Set all inputs low (00000000).
4. Adjust zero adjust  $R_7$  for 0 volts at test point  $TP_2$ .
5. Set all bits high (11111111).
6. Adjust FS adjustment  $R_2$  for +9.96 volts at test point  $TP_3$ .

The maximum output is nominally +10.00 volts, but an eight-bit D/A converter can only produce  $2^8$  or 256 different states, one of which is 0 volts for a code of 00000000. The maximum actual output voltage, then, is (by Eq. 11.1):

$$\begin{aligned} E_{OUT} &= 10.00 (255/256) \\ &= 9.96 \text{ volts} \end{aligned}$$

If the full-scale output voltage is required (only occasionally in this case), we can redefine zero as +0.040 volts, then adjust  $R_7$  so that an input word of 00000000 produces an output of +0.040 volts and a word of 11111111 produces an output of +10.00 volts.

## Chapter 12

# A/D Converters: Some Real Products

---

The analog-to-digital converter produces a binary or BCD output that represents an analog current or voltage applied to its input. The availability of low-cost digital-to-analog converter integrated circuits allows the implementation of low-cost A/D converter circuits using the D/A converter chip in the negative-feedback loop. A/D converter designs that allow this include the binary counter, or ramp, type and the successive-approximation register (SAR). The latter types are made even easier than was previously the case, when individual digital IC shift registers and latches had to be provided, because at least two companies (Motorola and Advanced Micro Devices) market successive-approximation registers in integrated circuit form.

Examples of D/A-based binary counter and successive-approximation A/D converter circuits will be given in this chapter. We will also give an example of a simple BCD-encoded 3½-digit integration A/D converter intended for use in digital voltmeter circuits.

### FERRANTI ZN425E-BASED DESIGN

Figure 12-1 shows an analog-to-digital converter that takes advantage of some of the interesting features of the Ferranti Semiconductors ZN425E integrated circuit D/A converter. Recall from Chapter 11 that this chip contains the ordinary voltage output

$R$ - $2R$  resistor ladder, plus an eight-bit binary counter that is connected to the digital inputs of the resistor ladder when the logic select terminal (pin 2) is high. Under this condition clock pulses from the external oscillator will increment the counter once for each negative-going-from-positive transition applied to pin 4. The counter state is not only applied to the inputs of the  $R$ - $2R$  resistance ladder, but also appears on the ZN425E input terminals (pins 5,6,7,9,10,11,12, and 13).

The circuit in Fig. 12-1 uses, in addition to the D/A converter, an operational amplifier ( $IC_2$ ) and a 7400 TTL quad two-input NAND gate ( $IC_3$ ). Pin 2 of the ZN425E is wired to +5 volts DC through a 1000-ohm pullup resistor, thereby setting pin 2 to a permanent logic 1 condition. Keeping pin 2 high turns on the internal binary counter.

Operational amplifier  $IC_2$  is a Ferranti type ZN424P, although it could just as easily be almost any good quality operational amplifier, or since it is used as a voltage comparator, an integrated circuit comparator such as the 311, 710, AMD AM686, or Precision Monolithics CMP-01 or CMP-02.

A voltage comparator examines two input voltages and issues an output that tells the outside world whether they are equal or unequal. In the case of  $IC_2$ , a sample of the analog input voltage is applied to the noninverting input of the operational amplifier through a resistor voltage divider ( $R_2/R_6$ ). This voltage is nominally:

$$E_2 = E_1 \times \frac{R_6}{R_2 + R_6} \quad (12.1)$$

and in the special case covering Fig. 12-1, Eq. 12-1 breaks into:

$$E_2 = E_1 \times \frac{15K}{15K + 15K} \quad (12.2)$$

$$E_2 = \frac{1}{2}E_1 \quad (12.3)$$

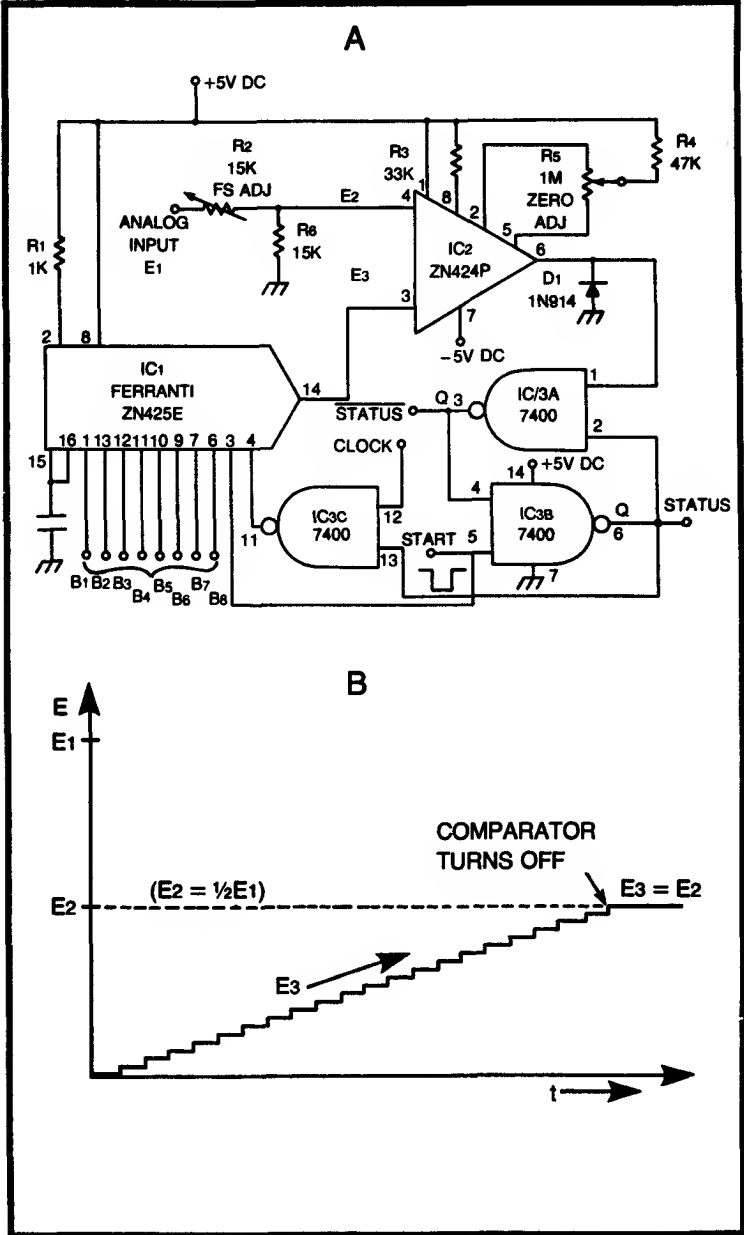


Fig. 12-1. Binary counter A/D converter using the ZN425E. (A) Circuit. (B) Waveform.

where  $E_1$  is the analog input voltage and  $E_2$  is the voltage applied to the noninverting input of operational amplifier  $IC_2$ .

The voltage comparator is made using an integrated circuit operational amplifier with no negative feedback. The gain of the comparator, then, is the *open-loop* gain of the operational amplifier. Operational amplifier manufacturers list typical values for open-loop gain between 20,000 and over 1,000,000 depending upon quality and price level. Even the sloppiest operational amplifiers provide sufficient open-loop gain that, when it is used as a comparator, it will saturate and produce an output close to either  $V(+)$  or  $V(-)$  if more than a few millivolts of potential exists between the inverting and noninverting inputs.

Voltage  $E_3$  is the output of the ZN425E, which is a ramp rising from zero by a voltage increment equal to LSB every time the binary counter increments by one clock pulse. When voltage  $E_3$  is less than voltage  $E_2$ , the comparator ( $IC_2$ ) sees it as a positive differential potential ( $E_2 - E_3$ ) applied to the noninverting input, so the operational amplifier output will be a high positive voltage approximating  $V(+)$ .

The  $V(+)$  voltage in this circuit is +5 volts DC, so the voltage at the output of the comparator will be just a little less than +5 volts when  $E_2$  and  $E_3$  are not equal. When  $E_2$  and  $E_3$  are equal, on the other hand, the comparator sees a differential input potential of zero, so its output will also be zero. The condition where  $E_3$  is greater than  $E_2$  would cause a high negative output (i.e.,  $V(-)$ , or close to -5 volts DC) from  $IC_2$ . But since that condition is not required for the conversion process, and might easily destroy NAND gate  $IC_3$  (TTL) if it did inadvertently occur, diode  $D_1$  is used to clamp the output of  $IC_2$  for negative voltages. A negative output voltage would be limited to one diode drop, or 0.6 to 0.7 volts negative. A positive output will reverse bias diode  $D_1$ , so is not affected.

Three of the four gates in the 7400 ( $IC_3$ ) are used in this circuit.  $IC_{3A}$  and  $IC_{3B}$  form an RS flip-flop in which section B forms the set terminal, and section A forms the reset terminal. The  $Q$  output of the RS flip-flop (pin 6 of the 7400 as here configured) drives one input of the third gate.

The 7400 is a NAND gate, so will set (i.e., force  $Q$  high and  $\bar{Q}$  low) when the set input is brought low. Similarly, it will reset when the reset terminal is brought low. These rules follow from the normal rules for TTL RS flip-flops using NAND gates.

Section C of the 7400 will pass clock pulses to the input of the ZN425E internal binary counter when pin 12 (the RS flip-flop  $Q$  output) is high.

Conversion begins when a negative-going trigger pulse is applied to the start terminal, which is connected to the set input of the RS flip-flop and the reset pin on the ZN425E binary counter (chip pin 3). This pulse sets the flip-flop and resets the binary counter to 00000000<sub>2</sub>. Since  $Q$  is now high, gate  $IC_{3c}$  will begin to pass clock pulses to the counter in the ZN425E, and this causes the output voltage to begin ramping upwards.

If the analog input voltage sample ( $E_2$ ) is greater than the ramp output voltage  $E_3$ , then the voltage comparator output remains high. When the voltage from the ramp reaches a level equal to the analog input voltage sample (i.e.,  $E_2$ ), as in Fig. 12-1B, then the comparator output goes low, resetting the RS flip-flop. The  $Q$  output goes low and the  $\bar{Q}$  goes high, shutting off the stream of clock pulses into the binary counter. The binary counter output appears on terminals  $B_1$  through  $B_8$ , and is a bit pattern representing the analog input voltage. The output word will be 00000000<sub>2</sub> at 0 volts, and 11111111<sub>2</sub> at full-scale input.

The maximum clock frequency that can be accommodated by this circuit is 100 kHz, but that can be extended to approximately 400 kHz if a faster comparator is used at  $IC_2$ . The conversion time is a function of the clock frequency selected and the value of the analog input voltage. Since the D/A converter "ramps up" toward the analog input voltage as the binary counter increments, it stands to reason that the conversion time is shorter for low-value analog input voltages than it is for full-scale voltages. The general expression for conversion time is

$$T_c = \frac{2^n}{f_{CLK}} \quad (12.4)$$

where  $T_C$  is the conversion time in seconds,  $f_{CLK}$  is the clock frequency in hertz, and  $n$  is the binary counter output word representing the analog input voltage.

### Example 12-1

Find the full-scale conversion time (i.e.,  $n=8$ ) if the clock frequency in the circuit of Fig. 12-1 is 100 kHz.

**Solution:**

$$\begin{aligned} T_C &= 2^n / f_{CLK} \\ &= 2^8 / 10^5 \\ &= 256 / 10^5 \\ &= 0.00256 \text{ seconds} \\ &= 2.56 \text{ msec} \end{aligned}$$

### Calibration Procedure

1. Apply a continuous train of pulses to the clock terminal.
2. Apply a voltage equal to the full-scale voltage minus 1.5LSB. (in this case 4 volts is the full-scale voltage, so LSB is  $4/256$ , or 15.63 millivolts; 1.5LSB, then, is 23.45 millivolts. The voltage to apply if you duplicate the circuit shown is  $4.00 - 0.02345$ , or 3.9765 volts).
3. Adjust potentiometer  $R_2$  (i.e., FS adjust) until all bits except the LSB are high (i.e., 11111110), and the LSB bobbles back and forth between high and low.
4. Apply a voltage equal to  $\frac{1}{2}$ LSB (i.e.,  $\frac{1}{2} \times 15.63$ , or 7.82 millivolts) to the analog input.
5. Adjust potentiometer  $R_5$  (i.e., zero adjust) for all bits low except the LSB (i.e., 00000001), and the LSB bobbling back and forth between high and low.
6. Repeat steps 2 through 5 until no further improvement can be obtained. These adjustments on all A/D converter circuits are usually somewhat interactive.

The full-scale voltage (i.e., 4 volts) is applied to a voltage divider that delivers only a sample ( $E_2$ ) to the comparator input. We may conclude, then, that the maximum output voltage of the D/A

converter ramp circuit is around 2 volts (in fact, it is closer to 2.5 volts). The full-scale range of the A/D converter can be extended by changing the values of the resistors forming the input voltage divider to allow 2 volts to appear at the comparator input when the desired full-scale analog voltage is applied to the analog input.

## THE PMI AD-02 A/D CONVERTER

The block diagram to the Precision Monolithics, Inc. AD-02 monolithic A/D converter is shown in Fig. 12-2. This chip is a twelve-bit A/D converter in a forty-pin package (DIP). It can be connected in six- or eight-bit configurations, and the eight-bit conversion time can be as low as 1 microsecond per bit, or 8 microseconds.

Almost unique with the AD-02 is the availability of multiple range analog input terminals. Pin 33, for example accepts input voltages up to  $\pm 10$  volts, pin 32 accepts  $\pm 5$  volts or  $+10$  volts, and pin 34 accepts signals between  $\pm 2.5$  volts or  $+5$  volts. The AD-02 can be adjusted to output in straight binary, offset binary, or twos complement. Both parallel and serial outputs are provided.

The AD-02 will operate at  $V(+)$  and  $V(-)$  supplies of  $\pm 18$  volts DC, and the  $V_{cc}$  supply can be up to  $+7$  volts DC, although it is usually set to  $+5$  volts for TTL compatibility. Each digital output can sink up to 4.8 milliamperes of current.

The conversion technique used is the successive-approximation method (see Chapter 10). The AD-02 contains twelve switch-controlled current sources, a ground-referenced comparator, and the latched-output shift registers required to implement a successive approximation operation.

Figure 12-3 shows the basic connections and bypassing required to place the AD-02 chip in service. All three power supply terminals are bypassed to ground. All three ground terminals (i.e., reference, digital, and signal) should be joined together on a wide ground bus as close as possible to the AD-02 package. The power supply return should also be connected to this point, as should be the analog input.

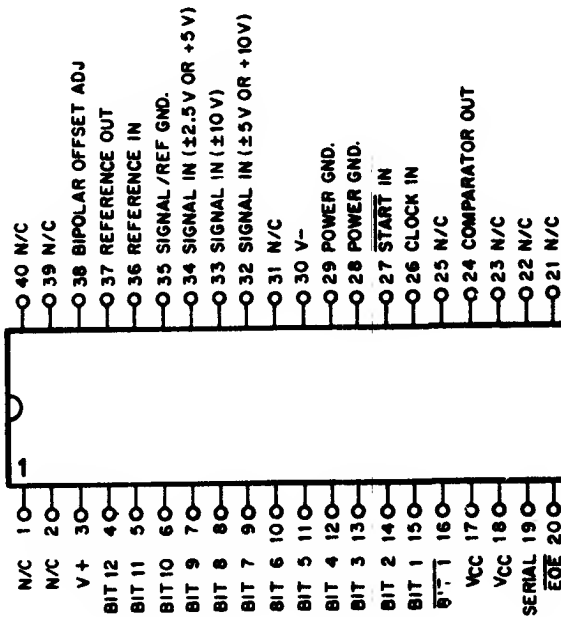


## PIN CONNECTIONS

### NOTES.

Power ground (pins 28 and 29) is not connected internally to Signal/Reference Ground (pin 35). Best results will be obtained if these grounds are connected together at the AD-02 package, so that digital currents do not flow through the analog ground path.

N/C - No connection to internal circuit.



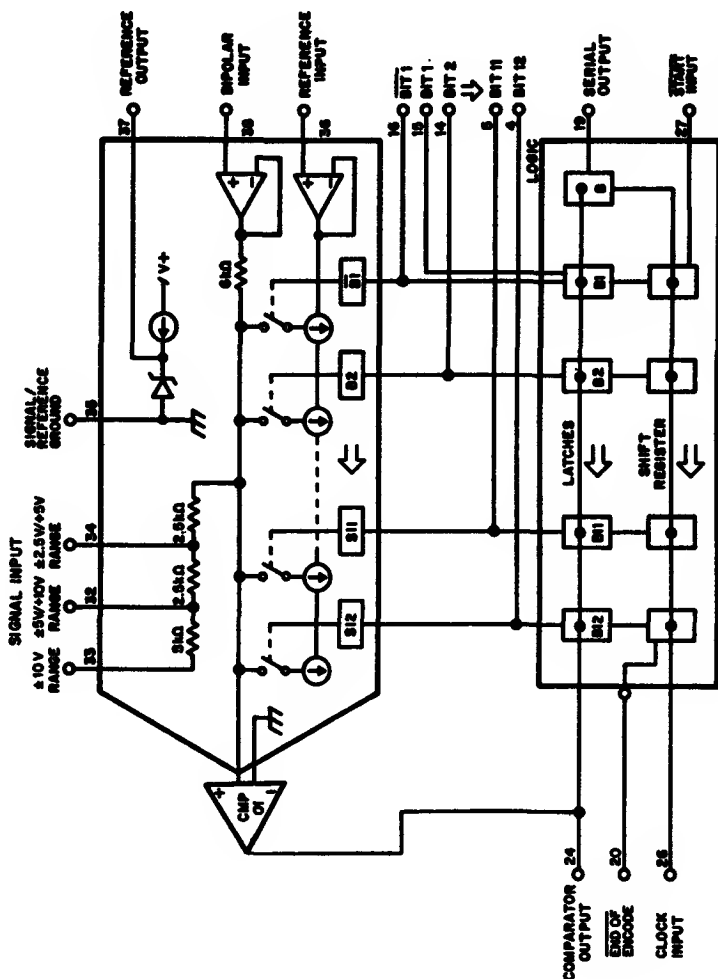


Fig. 12-2. Precision Monolithics, Inc. AD-02 successive-approximation A/D converter. (A) Block diagram. (B) Pin layout. (Courtesy of Precision Monolithics, Inc.)

This A/D converter chip contains its own built-in reference power supply and reference amplifier, both of which are accessible to the designer through package pins. Pin 37 is the DC reference supply output, while pin 36 is the reference amplifier input. Full-scale adjustment is provided by potentiometer  $R_1$ . One end of  $R_1$  is grounded and the other goes to the reference supply output (pin 37). The potentiometer wiper is used as a voltage divider and feeds the reference amplifier input. This point is bypassed to ground through a  $0.1 \mu\text{F}$  capacitor.

The start and end-of-conversion (called end-of-encode or EOE in PMI literature) pins drop low when it is active, so are labeled start and EOE. For synchronous operation a negative-going pulse applied to pin 27 (i.e., start) will begin the conversion process at the next clock pulse. The EOE terminal will go high at that time, and will remain high until the conversion is completed. When the encoding process is finished, and the data is ready for use, the EOE terminal goes low, and this event can be used to strobe any external device that is to receive the data.

Continuous, or asynchronous conversions can be performed by strapping together the start and EOE terminals, so that the EOE pulse at the end of one cycle will become the start pulse for the next cycle.

One pitfall in this situation is that the output data is valid only during one clock period, which is very short at the maximum clock speed (i.e., 1 microsecond or less). An output latch such as the 8212 or the 74100 should be used to catch the data while it is valid. The start/EOE pulse will have to be inverted, then applied to the strobe pins of the latch chip.

With only two exceptions the data output format is standard for twelve-bit operation. Bits 12 (LSB) through 1 (MSB) occupy pins 4 through 15, respectively. These pins form a twelve-bit parallel output. Pin 16 produces an inverted bit 1. It will always be the complement of the MSB, going low whenever the MSB goes high. The other exception noted above is the serial data output which can be used to drive a data communications channel, or systems allowing serial data transfer in nonreturn to zero format.

The adjustment circuit shown as part of Fig. 12-3 is for full-scale adjustments only. A similar circuit (see Fig. 12-4) can be used for zero adjustment. The circuit in Fig. 12-4A is for bipolar operation, and is essentially the same as the full-scale adjustment circuit, except that the wiper of the potentiometer goes to pin 38 of the AD-02, which is for bipolar adjust input biases. This terminal had been grounded in Fig. 12-3. The adjustment procedure is as follows:

1. Apply a voltage equal to  $V_{FS(-)} \times \frac{1}{2}LSB$  to the analog input.
2. Adjust potentiometer  $R_1$  for all bits ( $B_1$  through  $B_{11}$ ) low and bit 12 to bobble back and forth between high and low.

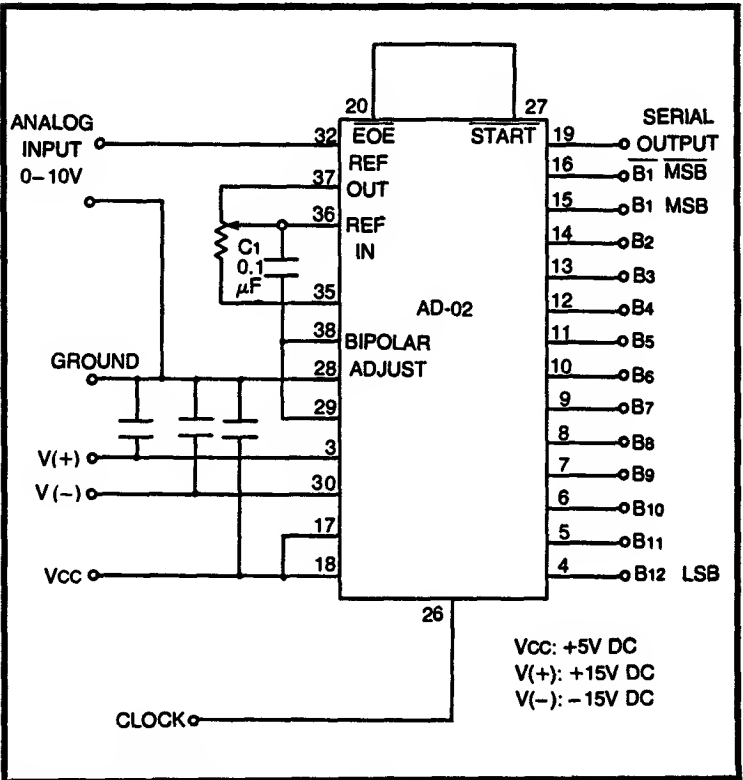


Fig. 12-3. Basic connections for the AD-02.

The circuit in Fig. 12-4B is used for zero adjustment in the unipolar mode. In this case, potentiometer  $R_1$  is connected between  $V(+)$  and  $V(-)$  power supplies, while the wiper remains connected to the bipolar adjust terminal. The adjustment procedure is the same as that for the bipolar mode in Fig. 12-4A. Adjustment for full-scale, in both bipolar and unipolar, continuous modes is as follows:

1. Apply a voltage equal to  $V_{FS} - 1.5\text{LSB}$  to the analog input.
2. Adjust potentiometer  $R_1$  (in Fig. 12-3) so that bits  $B_1$  through  $B_{11}$  are high (i.e., 11111111110) and bit  $B_{12}$  (LSB) bobbles between high and low.

Short-cycle operation of an analog-to-digital converter is the operation at less than the full complement of bits. For a twelve-bit analog-to-digital converter, then, short-cycle operation is used whenever the output is 6, 7, 8, 10 or any bit length less than 12. Figure 12-5A shows the simplified circuit used when only six-bit operation is desired. Bits  $B_1$  through  $B_6$  are the data bits. If the successive-approximation register were allowed to attempt a full twelve-bit conversion it would waste a lot of time. At any given clock speed it takes twice as much time to go through twelve bits as it does six bits. To overcome this problem a NAND gate and an inverter (i.e., NAND gate with both inputs tied together) are used. The 7400 NAND gate output will go high whenever either input goes low. If the  $\overline{\text{EOE}}$  terminal of the AD-02 drops low, indicating that encoding is completed, then the output of the NAND gate will go high. The NAND gate output can be used as an EOC strobe, and is inverted so that it will drive the  $\overline{\text{start}}$  terminal on the AD-02 chip. The output of the inverter stage will also serve as a  $\overline{\text{EOE}}$  terminal, if desired. If the conversion process gets to a point where the seventh bit is activated (i.e., goes low), then the same EOC sequence takes place. The identical situation is used in Fig. 12-5B, except that eight bits are active, and bit  $B_9$  is used to drive the NAND gate.

Figure 12-6 shows a complete eight-bit, microcomputer-compatible A/D converter based on the AD-02 chip. Central to the circuit is the eight-bit, short-cycle configuration of Fig. 12-5B. An RC TTL astable multivibrator serves as the clock, although you might want to substitute a crystal oscillator or the computer's sys-

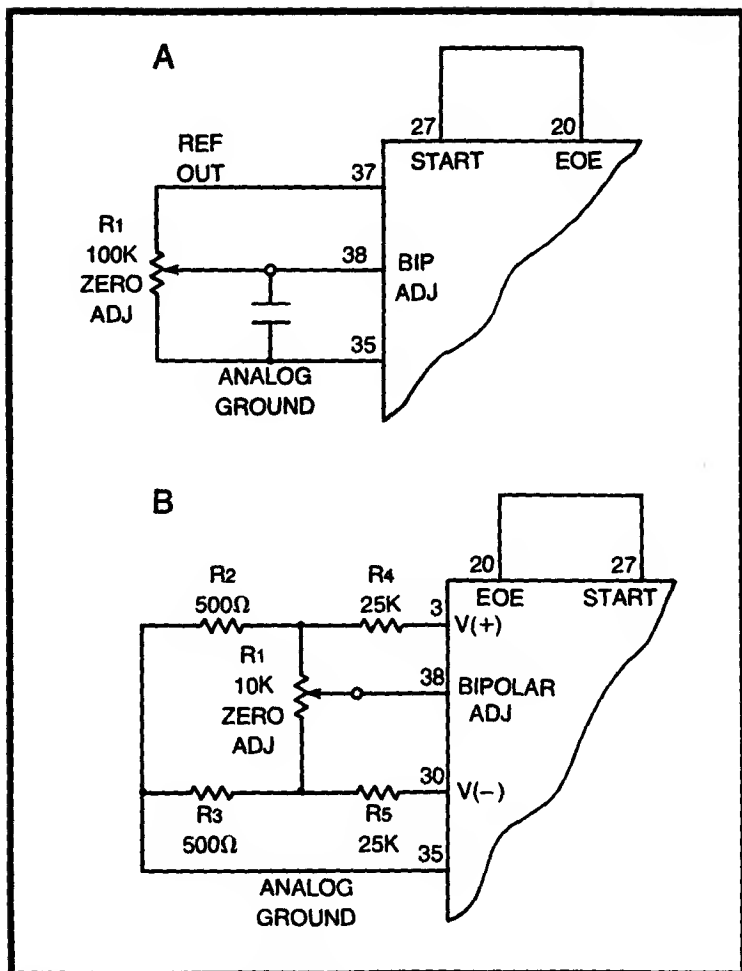


Fig. 12-4. Zero adjust on the AD-02. (A) unipolar circuits. (B) Bipolar circuits.

tem clock. In the case shown, however, the clock frequency is given by:

$$f_{CLK} = \frac{3.3 \times 10^5}{RC} \quad (12.5)$$

where  $f_{CLK}$  is the frequency in hertz,  $R$  is the resistance in ohms, which will be between 150 ohms and 1500 ohms, and  $C$  is the

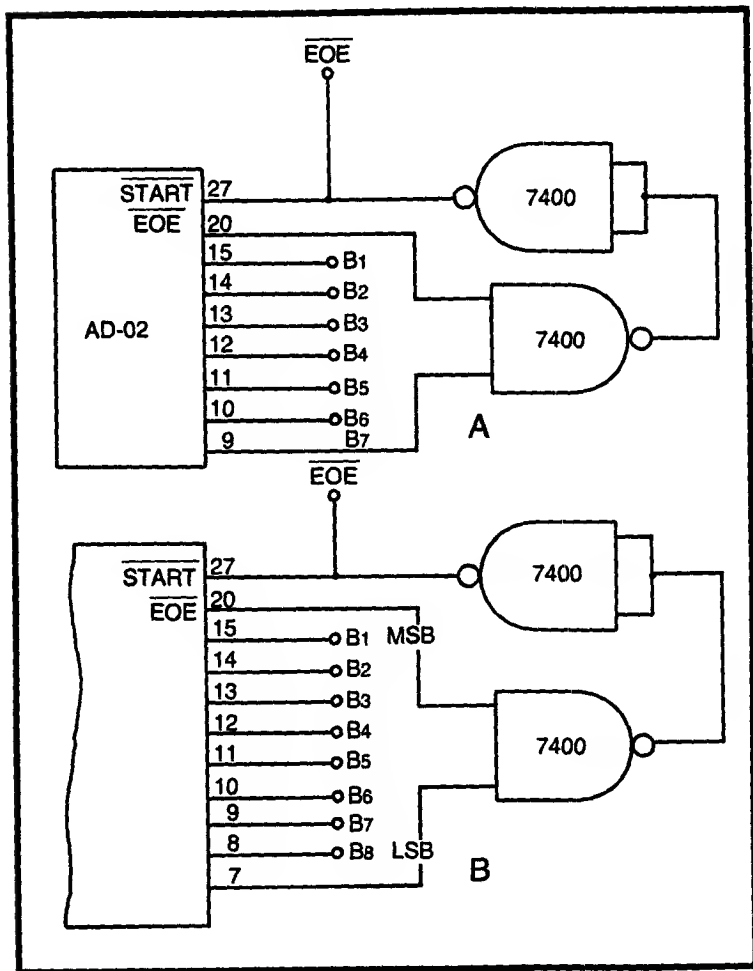


Fig. 12-5. Short-cycle operation of the AD-02. (A) Six-bit version. (B) Eight-bit version.

capacitance in microfarads ( $\mu\text{F}$ ). (Note: for  $C$  in picofarads use  $3.3 \times 10^{11}$  in the numerator of the equation instead of  $3.3 \times 10^5$ ).

### Example 12-2

Find the frequency of oscillation in an astable multivibrator such as shown in Fig. 12-6 if the resistor has a value of 220 ohms, and the capacitance is  $0.0015 \mu\text{F}$  (i.e., 1500 pF).

**Solution:**

$$\begin{aligned}f_{\text{CLK}} &= 3.3 \times 10^5 / RC \\ &= 3.3 \times 10^5 / (220) \text{ (0.0015)} \\ &= 10^6 \text{ hertz} = 1 \text{ MHz}\end{aligned}$$

$FF_1$  and  $FF_2$  are part of a 7474 TTL dual D-type flip-flop. Recall the basic operating rules for the D-type flip-flop:

1. Data transfers from  $D$  to  $Q$  only when the clock terminal is high.
2. A low pulse placed on the preset input immediately causes  $Q$  to go high, and  $\bar{Q}$  to go low, regardless of the conditions applied to  $D$  and clock.
3. A low pulse on the clear input causes  $Q$  to go low, and  $\bar{Q}$  goes high, regardless of the conditions applied to  $D$  and clock.

Returning to Fig. 12-6, we are now ready to discuss the operation of the circuit. The data (i.e.,  $D$ ) and preset terminals of  $FF_1$  are tied high, so that rule 2 above will never apply, and  $Q$  will go high when the clock is high, unless the clear is low.

1. The clock terminal of  $FF_1$  is used as the start line. When the clock terminal goes high, transferring a high to the  $Q$  output,  $\bar{Q}$  is forced low.
2. The low  $\bar{Q}$  is seen by the AD-02 as a negative-going start pulse, so conversion begins. This low forces the preset terminal of  $FF_2$  low, so the  $Q$  terminal of  $FF_2$  goes high (rule 2 applies in  $FF_2$ ). This is used as a status or busy signal by outside-world devices. This terminal is high when the A/D converter is busy, and drops low when the data is valid.
3. When the conversion is completed, indicated by either an overflow (bit  $B_9$  active) or  $\overline{EOE}$  going low, a low is placed on the clear input of  $FF_2$  by the inverter. By rule 3 this forces the  $Q$  low and  $\bar{Q}$  high, which in turn applies a high on the clear input of  $FF_1$ , disabling it.
4. Parallel data is available on the output lines when the status terminal drops low.



The AD-02 monolithic analog-to-digital converter chip is competitive with most twelve-bit function module A/D converters in the same quality range. The AD-02 is available in several different grades, as follows:

| Model       | Temp Range (°C) | Linearity (%) | Temp Coef (ppm) |
|-------------|-----------------|---------------|-----------------|
| AD-02AW     | -55/+125        | 0.2           | ± 60            |
| AD-02W      | -55/+125        | 0.2           | ±120            |
| AD-02-883AW | -55/+125        | 0.2           | ± 60            |
| AD-02-883W  | -55/+125        | 0.2           | ±120            |
| AD-02-EW    | 0/+70           | 0.2           | ± 60            |
| AD-02-CW    | 0/+70           | 0.2           | ±120            |

### MC14559/MC1408-BASED DESIGNS

Motorola Semiconductor's MC1408 integrated circuit D/A converter (see Chapter 11) and MC14559 successive-approximation register can be paired to make a successive-approximation (SA) type analog-to-digital converter. The MC1408 was discussed at length in the previous chapter, so the details of that chip will not be repeated here. The MC14559 is a complete CMOS integrated circuit successive-approximation logic block that includes switching, shift registers, output latches, and the internal control logic that makes the whole thing work together. This chip allows us to implement an SA type A/D converter using a minimum of external components.

Figure 12-7A shows the circuit for a well-behaved A/D converter using the MC1408 and MC14559 combination. This circuit requires power supplies to provide  $\pm 15$  volts DC, and +5 volts DC. It is also necessary to provide a well-regulated reference power supply, two of which were given in Chapter 11.

The clock can be a Motorola MC4024 as shown, or an astable multivibrator as used with the AD-02 in Fig. 12-6. The clock frequency must be less than 500 kHz (2-microsecond period), so if a 220-ohm resistor is used for  $R$  in Fig. 12-6, then the capacitance will be  $0.003 \mu\text{F}$  (use the same equation).

Two operational amplifiers are used in this circuit. Operational amplifier  $A_1$  serves as an analog input amplifier, while  $A_2$  serves as a comparator. Both are semipremium 301A devices; be aware that a

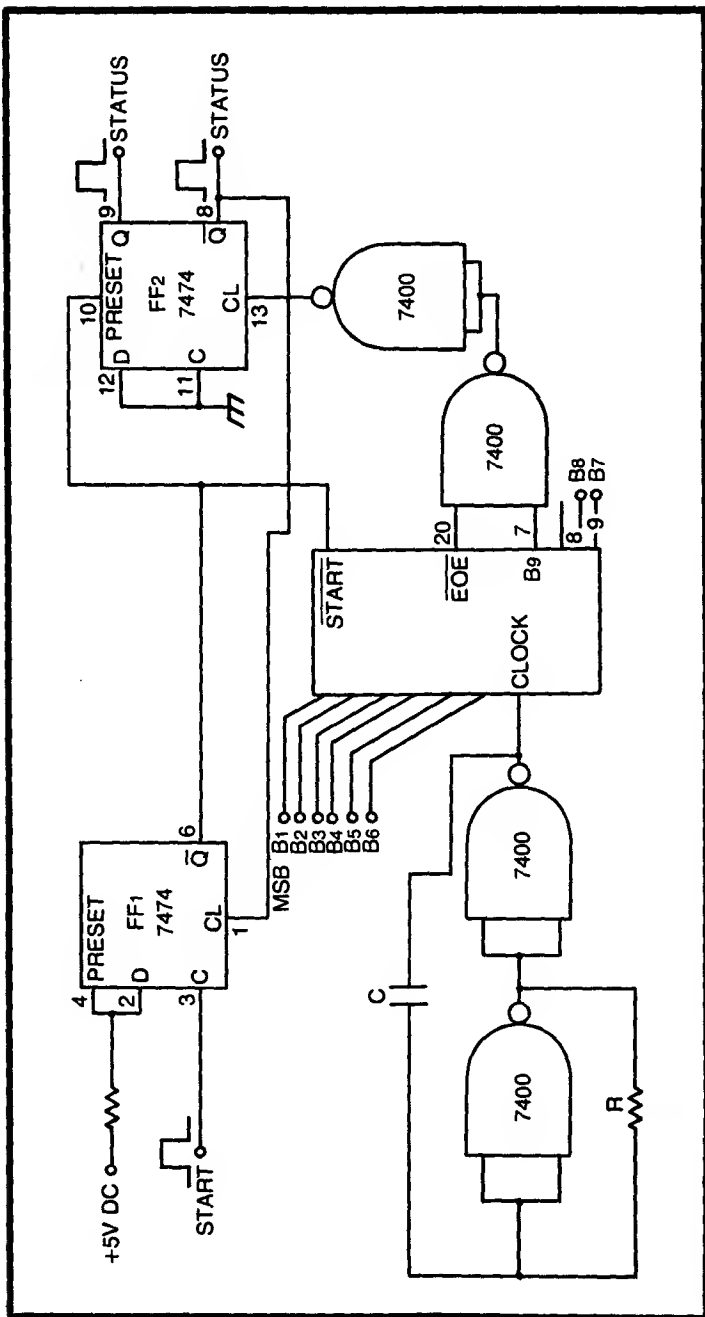


Fig. 12-6. Complete A/D converter using the AD-02 features status latch and clock.

741-class device should not be used, especially in the  $A_2$  slot, unless clock speeds are very low.

The reference current  $I_{REF}$  is set by the reference voltage and potentiometer  $R_1$ . The reference current must be between 0.5 and 4 milliamperes, with 1 to 2 milliamperes recommended. The reference current potentiometer ( $R_1$ ) serves as a full-scale adjustment, while potentiometer  $R_3$  serves as a zero adjust. This latter potentiometer works by shifting the operating point of amplifier  $A_2$ , which is nominally grounded.

### Operation

When a start pulse is received, the MC14559 will begin to step through the successive-approximation routine (see Chapter 10), incrementing the MC1408 D/A converter output current as it goes. Amplifier  $A_2$  serves as a comparator that is ground referenced. If  $I_1$  is zero, then the comparator output is low, and the SAR action is halted. Current  $I_1$  is the algebraic sum of the D/A converter output current and the analog input current ( $I_{OUT}$  and  $I_2$ , respectively). In other words:

$$I_1 = I_{OUT} + I_2 \quad (12.6A)$$

and at  $I_1 = 0$ ,

$$I_2 = -I_{OUT} \quad (12.6B)$$

When the D/A converter output current becomes equal to the analog input current, the current to the comparator will be zero, so the comparator output drops low, shutting off the SAR.

Current  $I_{OUT}$  is given by:

$$I_{OUT} = I_{REF} \times \frac{2^n - 1}{256} = \frac{V_{REF}}{R_1} \times \frac{2^n}{256} \quad (12.7)$$

where  $I_{OUT}$  is the D/A converter output current,  $I_{REF}$  is the reference current between 0.5 and 4.0 mA, and  $n$  is the binary word at the D/A converter input terminals (which also serve as the A/D converter output terminals).

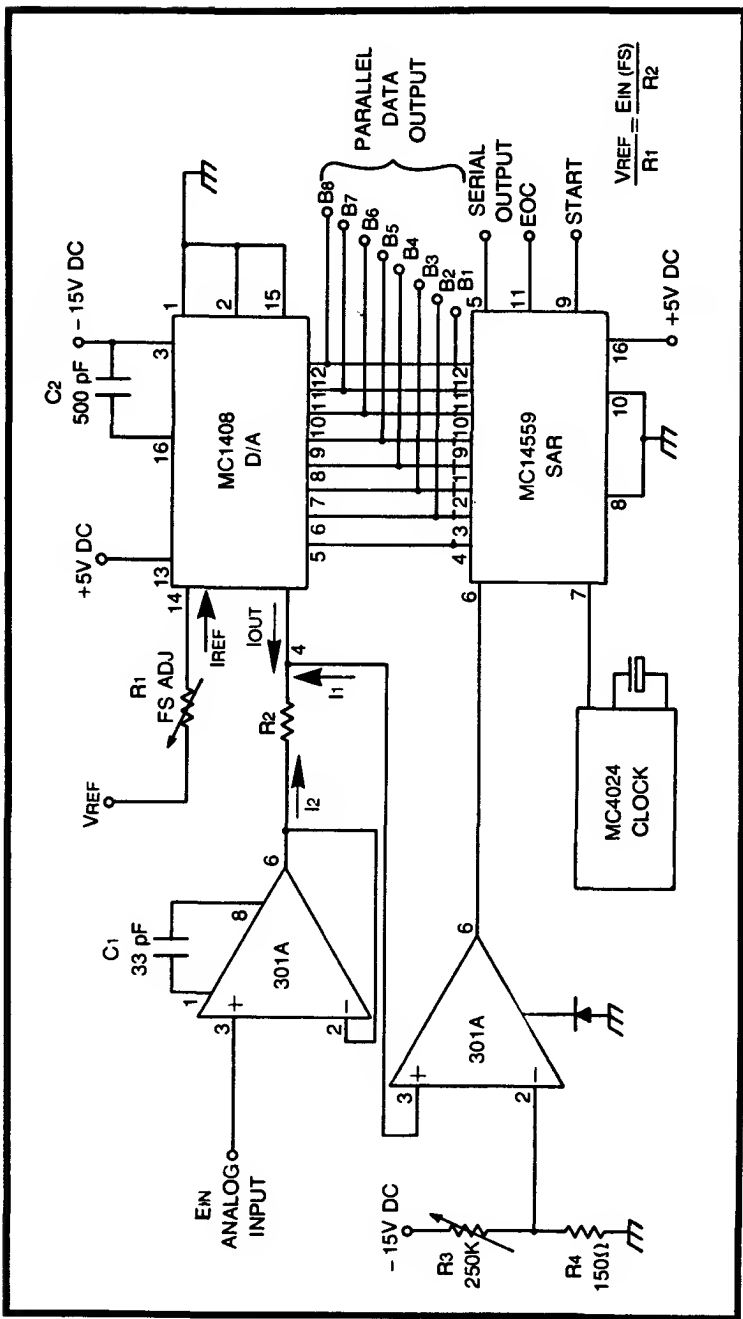


Fig. 12-7. Successive-approximation A/D converter using the Motorola MC1408 D/A converter and MC14559 SA register.

Current  $I_2$  is given by:

$$I_2 = E_{IN}/R_2 \quad (12.8)$$

So, by substituting Eqs. 12.7 and 12.8 into Eq. 12.6B:

$$\frac{E_{IN}}{R_2} = \frac{V_{REF}}{R_1} \times \frac{2^n - 1}{256} \quad (12.9)$$

From this equation (Eq. 12.9) we obtain the basic design equation for this circuit (assuming an offset of  $\frac{1}{2}$ LSB):

$$\frac{E_{IN(FS)}}{R_2} = \frac{V_{REF}}{R_1} \quad (12.10)$$

Provided that  $I_{REF}$  is between the limits given earlier, 0.5 to 4.0 mA.

### Example 12-3

Let the reference current  $I_{REF}$  be 2 milliamperes, and  $V_{REF}$  be 10.00 volts DC. Assume that the full-scale analog voltage is +2.56 volts, so that the LSB potential is 10 millivolts. Calculate the resistance values for  $R_1$  and  $R_2$ .

**Solution:**

$$\begin{aligned} R_1 &= V_{REF}/I_{REF} \\ &= 10.00/0.002 \\ &= 5000 \text{ ohms} \end{aligned}$$

and

$$R_2 = E_{IN(FS)}/I_2$$

But at full-scale current  $I_2$  equals  $I_{REF}$ , so

$$\begin{aligned} R_2 &= +2.56/0.002 \\ &= 1280 \text{ ohms} \end{aligned}$$

### Adjustment

1. Apply a voltage equal to  $E_{in(FS)} - \text{LSB}$  to the analog input. In the example above this would be 2.56–0.01, or 2.55 volts.

2. Adjust  $R_1$  so that bits  $B_1$  through  $B_7$  are high, and bit  $B_8$  (LSB) bobbles between high and low.
3. Apply a voltage equal to  $\frac{1}{2}$ LSB to the analog input. In the example given above this would be  $\frac{1}{2}$  (10), or 5 millivolts.
4. Adjust potentiometer  $R_3$  so that bits  $B_1$  through  $B_7$  are low, and bit  $B_8$  bobbles back and forth between high and low.
5. Repeat steps 1 through 4 until no further improvement is obtained.

### DAC-100/AM2502 DESIGNS

Figure 12-8 shows the PMI DAC-100 paired with the Advanced Micro Devices AM2502PC successive-approximation register. The AM2502 device is similar to the Motorola MC14559 in function, if not form.

The AM2502PC is an eight-bit register, so the last two bits of the DAC-100, a ten-bit device, must be tied permanently high by connecting them to the +5 volt DC source.

The DAC-100 has an internal reference supply, so a 200-ohm potentiometer serves as the full-scale adjustment control. No zero control is provided, and it probably won't be needed. A circuit similar to that in Fig. 12-7 could be used on the noninverting input of the comparator should a zero control be desired.

Several special features are provided by this design. Among them are fast operation (i.e., eight bits in 6 microseconds), a special complemented MSB, and a serial output. The high speed is achieved by using a fast clock speed, but be cautioned that layout and construction practices become more critical at fast speeds, and sloppiness can ruin the performance of this, or any other high-speed digital circuit.

Two digital output formats are available from this A/D converter circuit. The parallel data consists of nine parallel lines, of which one is the complemented most significant bit. The serial output is synchronized to the clock, and is in standard nonreturn-to-zero (NRZ) format.

The comparator is a premium PMI type, but an ordinary type 311 can be substituted if slower operating speeds are anticipated.

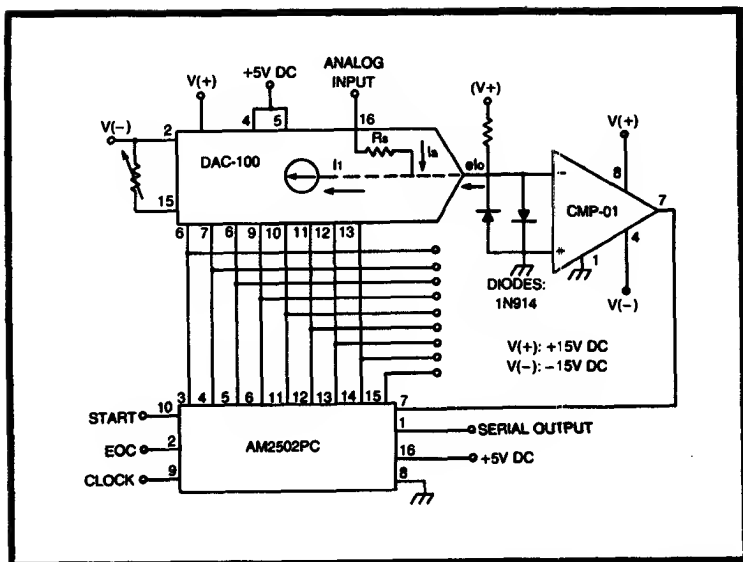


Fig. 12-8. Successive-approximation A/D converter using the PMI DAC-100 and Advanced Micro Devices AM-2502PC SA register.

The 311 is not exactly pin-for-pin compatible, and a minor circuit change is required; a 1.5 to 2.7K pull-up resistor must be connected between the output terminal and the +5 volt DC power supply.

Comparators are normally considered voltage input devices, but in most A/D converter applications their current comparison capability is used. The analog input voltage becomes a current by applying it to the comparator input through a precision resistor. In the circuit of Fig. 12-8 one of the internal 4.88K resistors of the DAC-100 (pin 16) is used for this purpose. Input current  $I_2$  is generated by analog input voltage  $E_{IN}$  and resistor  $R_s$ . Current  $I_2$  will have a magnitude of  $E_{IN}/4880$ , and is summed in the output mode with the regular DAC-100 output current  $I_1$ . When the two currents are equal, the DAC-100 output current, as seen by the external comparator, is totally canceled, so has a magnitude of zero.

The reason for using the current mode of the comparator is to increase the operating speed of the A/D converter. If we applied the analog voltage directly to the comparator input, then an operational amplifier current-to-voltage converter would be required at the

output of the DAC-100. Most operational amplifiers are very slow compared with the other A/D converter components, so will cause a decrease in the maximum attainable operating speed. Even high-slew-rate, high-frequency, operational amplifiers require compensation to avoid oscillation, and that in itself will slow the circuit down markedly. The best solution is to eliminate the operational amplifier altogether, and that requires summing currents in the comparator input circuit.

The DAC-100 can be operated in the bipolar mode (see Chapter 11), so the A/D converter using the DAC-100 will also provide bipolar operation. Use the remaining 4.88K resistor and an external 500-ohm potentiometer to apply a half-scale current from an external 6.4-volt DC precision reference source. The procedure was discussed in the previous chapter.

### Adjustment

1. Apply an input voltage of  $V_{FS} - 1.5\text{LSB}$  (in this example +9.941 volts) to the analog input terminal.
2. Adjust FS adjust control  $R_2$  for bits  $B_1$  through  $B_7$  low and bit  $B_8$  bobbling back and forth between low and high.
3. No zero adjust is necessary in most cases. The required  $\frac{1}{2}\text{LSB}$  bias for the comparator is provided by resistor  $R_1$ .

### Short-Cycle and Long-Cycle Operation

Six-bit short-cycle operation of this A/D converter circuit is essentially the same as that for the AD-02. A NAND gate is connected with one input to the conversion-completed terminal of the successive-approximation register, and the other to bit  $B_7$ . The output of the NAND gate is then inverted and used to drive the start terminal on the SAR.

Ten-bit long-cycle operation is possible by substituting the Advanced Micro Devices AM2504PC twelve-bit SAR integrated circuit for the eight-bit AM2502PC used in the example. Use the ten most significant bits on the SAR to drive the ten-bit DAC-100 input. Disregard bits  $B_{11}$  and  $B_{12}$  on the AM2504PC.



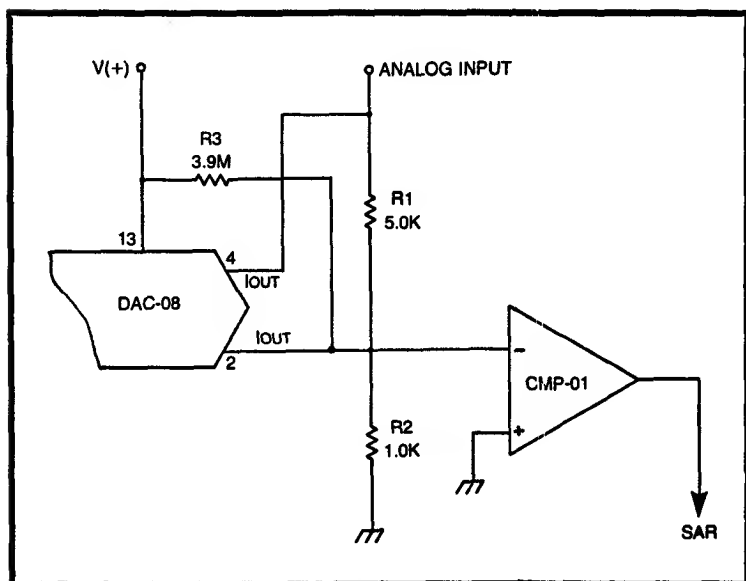


Fig. 12-9. Circuit of Fig. 12-8 using the DAC-08 instead of DAC-100. Only circuitry shown need be changed, all other circuitry is the same as in Fig. 12-8.

### DAC-08 A/D CONVERTER

The Precision Monolithics DAC-08 can be used in essentially the same circuit to form one of the lowest-possible-cost A/D converters. The necessary modifications are shown in Fig. 12-9, but otherwise the circuit is the same as Fig. 12-8.

In this circuit current  $I_{OUT}$  (pin 2) from the DAC-08 is summed at the comparator input with a sample of the analog input signal. Current  $I_{OUT}$  (pin 4) is returned to the analog input terminal in order to maintain a constant input impedance for the analog source. Remember that the two DAC-08 output currents produce complementary currents. Refer to Chapter 11 for the proper power supply and reference current connections for the DAC-08. The AM2502PC connections are the same as in Fig. 12-8.

### ANALOG DEVICES 13-BIT AD7550

Some of the A/D converter circuits which we have considered have been constructed of several discrete integrated circuits, and at

least one was a monolithic integrated circuit that was completely self-contained. The Analog Devices (Route 1, Industrial Park, P. O. Box 280, Norwood, MA 02062) type AD7550 shown in Fig. 12-10 is an example of another monolithic A/D converter chip. This chip is actually part of a small family of different, but similar devices, so you are advised to contact the manufacturer for a more complete short-form catalogue, especially if the description below sounds a lot, but not quite, like what you need in a particular application.

The AD7550 is a monolithic device made using the CMOS process. As such, it will require somewhat less operating current than many devices of similar bit size, but may tend to be static sensitive. The critical inputs are protected by zener diodes, but the manufacturer still recommends that standard CMOS handling procedures be followed. This, incidentally, is good advice for any CMOS device, even though diode protected. The fact is that some static charges that are quite ordinary can still blow the chip before the zener diodes have a chance to do their protective thing.

The AD7550 uses a special Quad-Slope conversion system that is patented by Analog Devices. This technique is similar to the more traditional dual-slope technique discussed in Chapter 10.

This chip is perhaps unique in that the outputs terminals (digital data) are tri-state, and use two enable pins to turn them on or off. Pin 18 enables the high five bits (i. e., *high byte enable*, HBEN), while pin 19 enables the lower eight bits (i. e., *low byte enable*, LBEN). This feature makes the AD7550 compatible with a large number of devices and circuits, including eight-bit microprocessors. The HBEN and LBEN are active when high. If either enable terminal is low, then the output bits that are controlled by that line (i. e., high or low byte) are tri-stated to float at a high impedance.

Four other control pins used on the AD7550 are status enable (STEN), overrange (OVRG), busy, and busy. The status enable terminal controls the remaining control pins. When STEN is low, the OVRG and busy lines float tri-state style at a high impedance. These output signals become active only when the STEN terminal is high.

The overrange (OVRG) is used to signal when the analog input voltage ( $A_{IN}$ ) exceeds the positive or negative full-scale limits by more than  $\frac{1}{2}$ LSB.

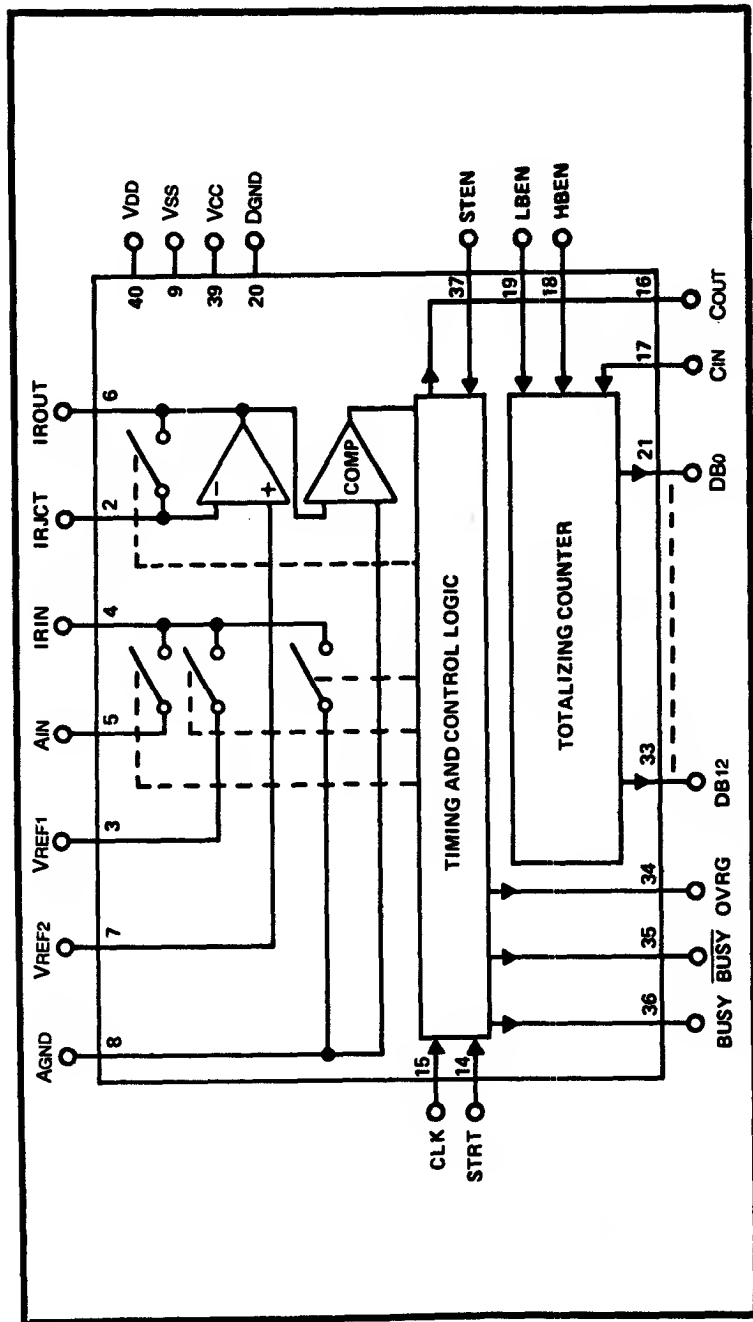


Fig. 12-10. Analog Devices AD-7550 Quad-slope A/D converter. (Courtesy of Analog Devices, Inc.)

The busy and  $\overline{\text{busy}}$  terminals are complements of each other. The busy terminal is high when a conversion is taking place, and drops low when the conversion is completed (indicating that the data is valid). The  $\overline{\text{busy}}$  terminal is the exact complement. It will be low when the conversion is taking place and snaps high when the conversion is completed. Either of these terminals can be used to strobe an external device or microcomputer input port that the data on the output lines is now valid and ready for use.

There are three power supply terminals ( $V_{SS}$ ,  $V_{DD}$ , and  $V_{CC}$ ), and two inputs for reference supplies. The  $V_{SS}$  terminal goes to the negative power supply, and should be kept at a potential of  $-5$  volts DC to  $-12$  volts DC. The  $V_{DD}$  supply terminal goes to a positive power source, and must be kept between  $+10$  volts and  $+12$  volts DC. The  $V_{CC}$  terminal is called the logic supply, and is set to  $+5$  volts DC if the circuit is to be TTL compatible, and some potential between  $+10$  volts and  $V_{DD}$  if the A/D converter is to be CMOS-logic compatible.

The two reference voltage terminals are labeled  $V_{REF1}$  and  $V_{REF2}$ . The  $V_{REF1}$  terminal should be connected to a well-regulated reference voltage source, examples of which are given in Chapter 11. The magnitude of the reference potential must be between  $V_{SS}$  and  $V_{DD}$ .

$V_{REF2}$  is set to a potential of  $\frac{1}{2}V_{REF1}$ , and is usually derived from a resistor voltage divider connected across the first reference supply,  $V_{REF1}$ . The second reference supply, in any event, must be kept between a zero reference equal to the potential of the analog ground (nominally zero if proper layout grounding procedures are followed) and  $V_{DD}$ .

The maximum value for the analog input voltage ( $A_{IN}$ ) is set by the first reference supply, and is given by  $V_{REF1}/2.125$ .

Separate access is provided for several components of the A/D converter through package pins. The integrator input, output, and summing junction, for example, are accessible through pins 4, 6, and 2 respectively. The resistor and capacitor required to make the operational amplifier operate as an integrator are connected to these pins.

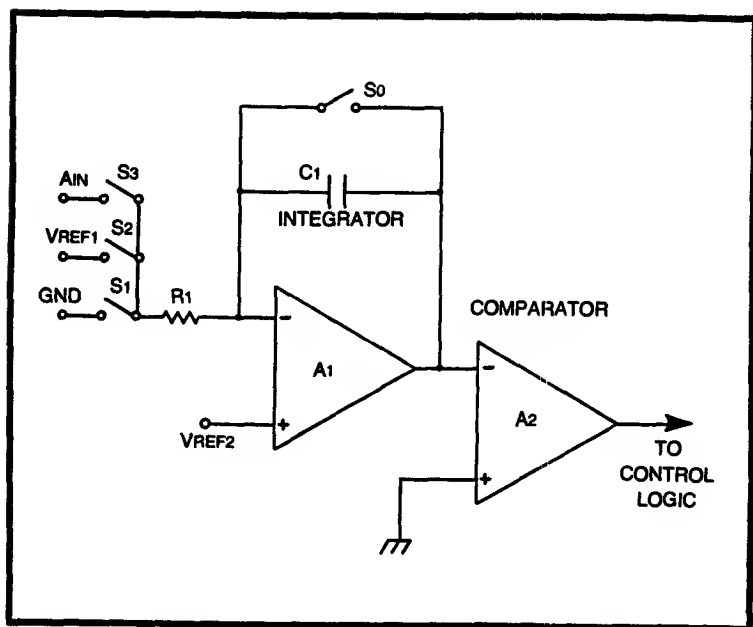


Fig. 12-11. Simplified diagram showing the Quad-Slope technique.

The start terminal requires an 800 nanosecond (i.e., 0.8 ms) positive pulse to initiate the conversion cycle. On the leading edge of the start pulse the internal logic is set (i.e., initialized) and the status flags, busy and  $\overline{\text{busy}}$ , are latched in their respective conditions indicating that a conversion is taking place. When the start pulse returns low following its trailing edge we find that the actual conversion cycle will begin. Asynchronous continuous operation is possible by returning the start terminal to ground through a capacitor.

The operation of the Quad-Slope integrators is shown in Figs. 12-11 and 12-12. During period  $T_1$  switch  $S_1$  is closed, applying  $V_{REF1}$  to the input of the integrator. The other input of the operational amplifier serving as the integrator is connected permanently to  $V_{REF2}$ , which is  $\frac{1}{2}V_{REF1}$ .

During period  $T_1$ , which lasts exactly one  $RC$  time constant ( $R_1C_1$ ), the integrator ramps down to zero. When it reaches zero the comparator will toggle, telling the control logic section that the period is finished, so it can start the binary counters ( $K_1$  through  $K_3$ )

and reset the switches. At this time switch  $S_1$  closes and  $S_2$  is opened.

During period  $T_2$ , with switch  $S_1$  closed, the integrator input is grounded, so the integrator ramps from zero to  $V_{REF2}$  for a specific length of time defined as the accumulated count in counter  $K_1$  times the clock period,  $t$ , or  $K_1 \times t$ . When period  $T_2$  expires, switch  $S_1$  opens and  $S_2$  closes.

At period  $T_3$  the integrator input is again connected to  $V_{REF1}$  (its input voltage is  $V_{REF1} - V_{REF2}$ ). This period requires a period of  $K_1 + n$  times  $t$ , where the  $n$  term is the error count, if any, caused by integrator offsets, comparator hysteresis, etc. At the conclusion of  $T_3$  switch  $S_2$  is opened and  $S_3$  is closed. This turns on counter  $K_3$  and connects the analog input ( $A_{IN}$ ) to the input of the integrator.

The analog input voltage ramps the integrator during period  $T_4$  until the  $K_2$  counter reaches a count that is four times greater than the  $K_1$  counter. When this period expires switch  $S_2$  is again closed and  $S_3$  is opened.

During period  $T_5$  the integrator ramps down to zero under the influence of the  $V_{REF1} - 1V_{REF2}$  potential. The period  $T_6$  between the zero crossing of the integrator at the comparator input is equal to twice the count ( $2N$ ) that represents the analog input voltage.  $N$  appears at the  $C_{OUT}$  terminal, and is defined as

$$N = 2^{12} \left[ \left( \frac{A_{IN}}{V_{REF1}} \times 2.125 \right) + 1 \right] \quad (12.11)$$

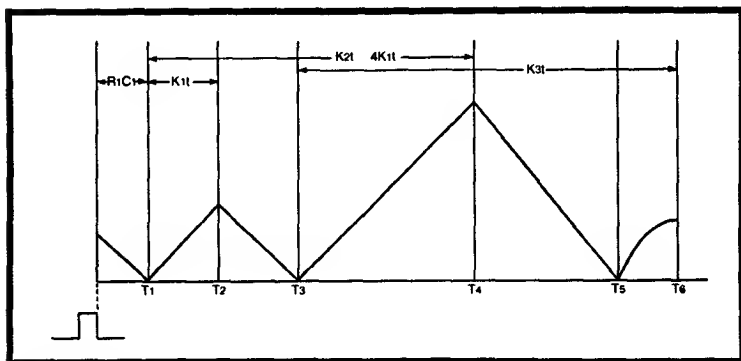


Fig. 12-12. Quad-Slope waveforms.

The information to follow summarizes the output code under assorted conditions, and Fig. 12-13 shows a typical connection arrangement.

| Condition                              | N    | Parallel Data Output | OVRG | DB <sub>12</sub> |
|--|------|----------------------|------|------------------|
| +OVRG                                  | -    | 111111111111         | 1    | 0                |
| +V <sub>FS</sub> (1-2 <sup>-12</sup> ) | 8191 | 111111111111         | 0    | 0                |
| +V <sub>FS</sub> (2 <sup>-12</sup> )   | 4097 | 000000000001         | 0    | 0                |
| Zero                                   | 4096 | 000000000000         | 0    | 0                |
| -V <sub>FS</sub> (2 <sup>-12</sup> )   | 4095 | 111111111111         | 0    | 1                |
| -V <sub>FS</sub>                       | 0    | 000000000000         | 0    | 1                |
| -OVRG                                  | -    | 000000000000         | 1    | 1                |

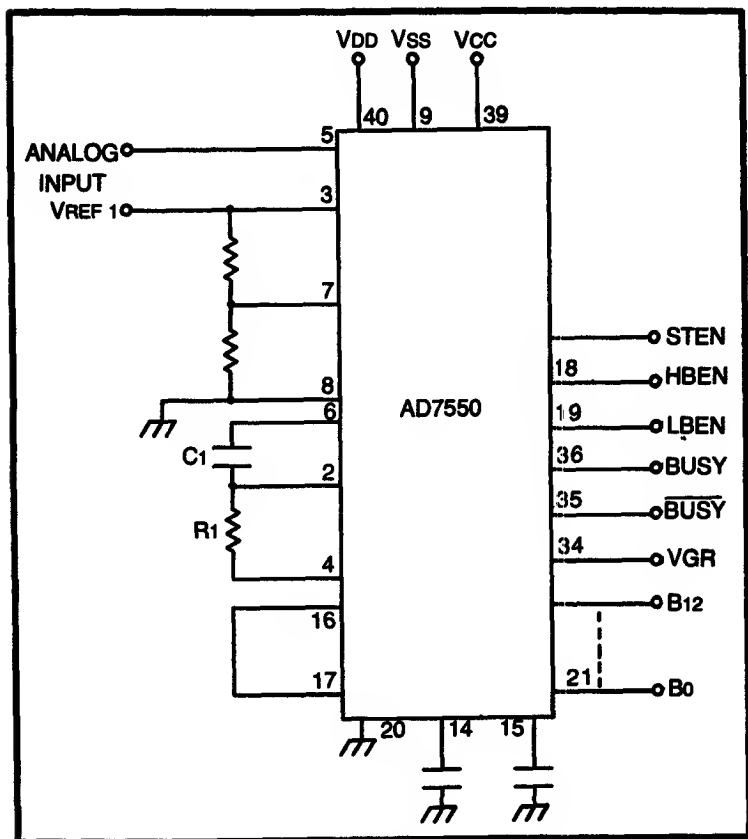


Fig. 12-13. Connections for the AD7550.

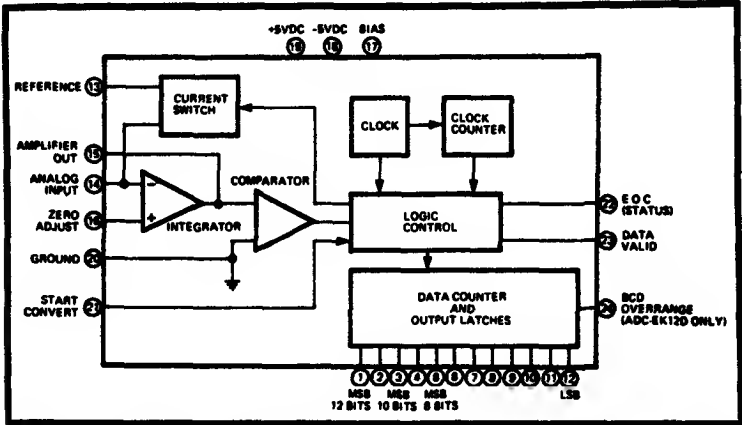


Fig. 12-14. Datel ADC-EK series A/D converter. (Courtesy of Datel Systems, Inc.)

### THE DATEL ADC-EK SERIES

The Datel ADC-EK series are monolithic CMOS integrated circuit analog-to-digital converters using the dual-slope integration method for performing the conversion. Various models are available that offer 8-, 10-, or 12-bit binary output coding, or 3½-digit BCD coding, which is popular in digital voltmeter circuits. The block diagram to the ADC-EK A/D converter is shown in Fig. 12-14. This chip contains the integrator, comparator, clock, counter, and all logic for control of a dual-slope converter circuit.

Conversion times will be between 1.8 and 24 milliseconds. The linearity is  $\pm\frac{1}{2}$ LSB minimum, with better than  $\pm\frac{1}{4}$ LSB being more typical. Power consumption at  $\pm 5$  volts DC is on the order of 20 milliwatts (current drain 2 milliamperes). If  $-5$ -volt supplies are used, then a 1.22-volt reference supply is required, and if a  $-15$ -volt supply is used, the reference supply should be  $-6.4$  volts.





## Chapter 13

# Some Data Converter Applications

---

The traditional application for A/D converter circuits and D/A converter circuits is to convert data for use in a computer, or to control some external device on command of a computer. The D/A converter, for example, might be used to plot graphic displays of data on an oscilloscope or strip-chart recorder.

In the A/D converter case, an analog signal is converted to a binary representation that can be used by the computer, while the D/A converter is used to convert back to an analog representation.

Ordinarily, an A/D converter should be preceded by a low-pass filter that limits the bandwidth of the signal being converted to the minimum required, while a D/A converter should be succeeded by the same type of filter to smooth out the ripple caused by the conversion process. Recall that analog signals are continuous in both range and domain, but a digital signal is allowed only discrete states in either range or domain. For a 0- to 10-volt output D/A converter, for example, the minimum step (assuming eight-bit operation) is 40 millivolts. The apparent ruggedness in the trace caused by these steps is removed by a low-pass filter.

Data conversion, however, covers a lot of territory, and is not strictly limited to the traditional applications given above. There are quite a few other applications, which are limited mostly by your own

design imagination and your ability to manipulate the rules and constraints placed on any given device. In this chapter we will discuss some of the more interesting of these applications.

## TWO-QUADRANT MULTIPLICATION

D/A converters such as the Precision Monolithics, Inc. DAC-08 are known as multiplying D/A converters because they require an external reference voltage or current, and have a transfer function of the form

$$I_{OUT} = I_{REF} \left( \frac{A_1}{2} + \frac{A_2}{4} + \dots + \frac{A_8}{256} \right) \quad (13.1)$$

where  $A_1$  through  $A_8$  are either *one* or *zero* depending upon the binary word applied to the DAC-08 digital inputs. Equation 13.1 becomes a voltage mode expression if  $I_{OUT}$  and  $I_{REF}$  are known in terms of a reference voltage and resistance, and an output resistor.

By applying a digital word to the inputs and a 0- to 10-volt signal to the reference input (i.e., a 0- to 2-milliampere current), we obtain a digital-by-analog two-quadrant multiplier circuit. The digital values can be supplied by a computer, while the analog voltage would be from some other circuit.

An application of the two-quadrant multiplier is a digitally programmable attenuator with response down to DC. The signal applied to the reference input is the signal that is attenuated an amount dictated by the binary word at the digital inputs.

## FOUR-QUADRANT MULTIPLICATION

Figure 13-1 shows an example of two DAC-08 devices used to perform four-quadrant multiplication. A 1.5-milliampere reference current is applied to the  $+I_{REF}$  inputs of the two DAC-08s, while the analog input voltage is applied differentially across the  $-I_{REF}$  inputs. The digital word is applied to both DAC-08s in parallel.

The  $I_{OUT}$  of DAC-08 #1 is connected to the  $\bar{I}_{OUT}$  output of DAC-08 #2, and vice versa. The combined current lines form a differential output current to any balanced load. Table 13-1 shows the expected output for a variety of input conditions.

Table 13-1. Output States for Circuit of Fig. 13-2.

| DIGITAL INPUT | $V_{IN}(+)$ | $V_{IN}(-)$ | $V_{IN}$ DIFF. | $I_{REF} \#1$ (mA) | $I_{REF} \#2$ (mA) | $I_{O \#1}$ (mA) | $\bar{I}_{O \#2}$ (mA) | $I_{O1}$ (mA) | $I_{O \#2}$ (mA) | $\bar{I}_{O \#1}$ (mA) | $I_{O2}$ (mA) | $I_{OUT}$ DIFF |
|---------------|-------------|-------------|----------------|--------------------|--------------------|------------------|------------------------|---------------|------------------|------------------------|---------------|----------------|
| 1111 1111     | +5V         | -5V         | +10V           | 2.000              | 1.000              | 1.992            | 0                      | 1.992         | 0.996            | 0                      | 0.996         | 0.996 mA       |
| 1000 0000     | +5V         | -5V         | +10V           | 2.000              | 1.000              | 1.000            | 0.496                  | 1.496         | 0.500            | 0.992                  | 1.492         | 0.004 mA       |
| 0111 1111     | +5V         | -5V         | +10V           | 2.000              | 1.000              | 0.992            | 0.500                  | 1.492         | 0.496            | 1.000                  | 1.496         | -0.004 mA      |
| 0000 0000     | +5V         | -5V         | +10V           | 2.000              | 1.000              | 0                | 0.996                  | 0.996         | 0                | 1.992                  | 1.992         | -0.996 mA      |
| 1111 1111     | 0V          | 0V          | 0V             | 1.500              | 1.500              | 1.494            | 0                      | 1.494         | 1.494            | 0                      | 1.494         | 0.000 mA       |
| 1000 0000     | -10V        | -10V        | 0V             | 2.500              | 2.500              | 1.250            | 1.240                  | 2.490         | 1.250            | 1.240                  | 2.490         | 0.000 mA       |
| 0111 1111     | +10V        | +10V        | 0V             | 0.500              | 0.500              | 0.248            | 0.250                  | 0.498         | 0.248            | 0.250                  | 0.498         | 0.000 mA       |
| 0000 0000     | 0V          | 0V          | 0V             | 1.500              | 1.500              | 0                | 1.494                  | 1.494         | 0                | 1.494                  | 1.494         | 0.000 mA       |
| 1111 1111     | -5V         | +5V         | -10V           | 1.000              | 2.000              | 0.996            | 0                      | 0.996         | 1.992            | 0                      | 1.992         | -0.996 mA      |
| 1000 0000     | -5V         | +5V         | -10V           | 1.000              | 2.000              | 0.500            | 0.992                  | 1.492         | 1.000            | 0.496                  | 1.496         | -0.004 mA      |
| 0111 1111     | -5V         | +5V         | -10V           | 1.000              | 2.000              | 0.496            | 1.000                  | 1.496         | 0.992            | 0.500                  | 1.492         | 0.004 mA       |
| 0000 0000     | -5V         | +5V         | -10V           | 1.000              | 2.000              | 0                | 1.992                  | 1.992         | 0                | 0.996                  | 0.996         | 0.996 mA       |

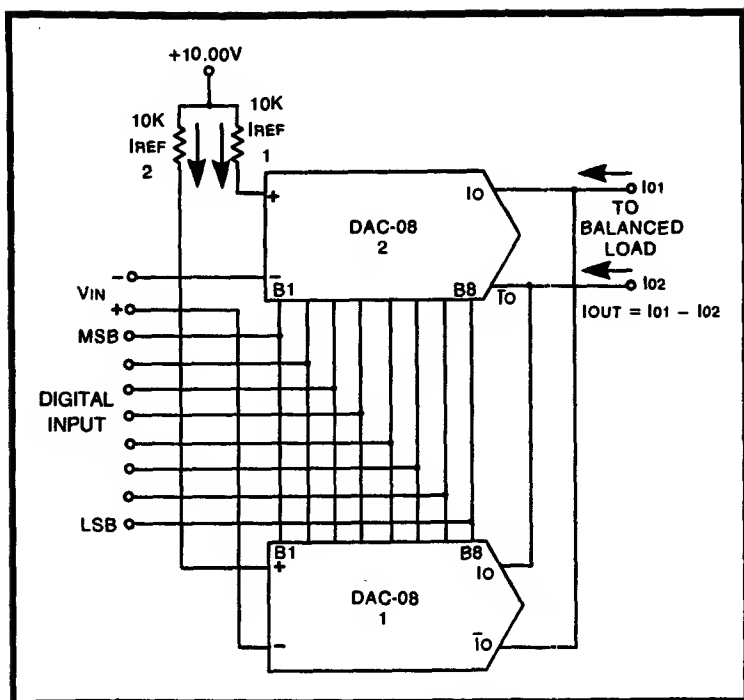


Fig. 13-1. Four-quadrant analog-by-digital multiplier. (Courtesy of Precision Monolithics, Inc.)

### AC-COUPLED AUDIO ATTENUATOR

The compensation capacitor terminal (i.e., pin 16) of the DAC-08 is normally bypassed to  $V_{EE}$  through  $0.01 \mu\text{F}$ , but if we use the regular DAC-08 voltage-output circuits (see Chapter 11), and instead connect pin 16 through  $0.1 \mu\text{F}$  to an AC signal source, then we obtain an AC-coupled attenuator for 0- to 1-volt signals. The DAC-08 will be flat to 200 kHz, and will operate out to 1 MHz.

### RATIOMETRIC A/D CONVERSION

A *ratiometric* instrument is one that has an output voltage that is proportional to the ratio of two input signals, i.e.,

$$E_{\text{OUT}} = k(V_x/V_y) \quad (13.2)$$

It is often the case that ratiometric operation will either improve, make easier, or even make possible some instrumentation process.

For example, it might be true that in some cases the data of interest is the ratio of two measured parameters. Transducers or other devices can be used to acquire the appropriate signals, but there are two approaches to handling the data once it is acquired. In one method, two A/D converter circuits are used, and the computer inputs data from each, then performs a software division of one by the other. The alternate approach is to build a ratiometric A/D converter, as shown in Fig. 13-2. Note that this is a simplified drawing. The actual conversion logic selected can be either successive-approximation (SA) or binary counter types, although SA is recommended.

The two D/A converters are connected in a circuit similar to Fig. 13-1, with the exception that the respective  $-I_{REF}$  terminals are grounded and the  $+I_{REF}$  inputs see a summation of two currents:  $\pm(V_y/5000) + 2 \text{ mA}$ . The output currents ( $I_1$  and  $I_2$ ) applied to the comparator inputs are determined by the level of  $+I_{REF}$  and the binary word applied to the digital inputs of the DAC-08s.

Also applied to the comparator inputs are currents  $I_3$  and  $I_4$ , generated by  $V_x$ , and equal to  $V_x/5000$ . The comparator, then, sees

$$I(+)=I_1+I_4 \quad (13.3)$$

at the noninverting input, and

$$I(-)=I_2+I_3 \quad (13.4)$$

at the inverting input.

If the following equality holds true, then the comparator output is zero, otherwise it is one, and a conversion can take place.

$$I(-)=I(+)\quad (13.5)$$

$$(I_1+I_4)=(I_2+I_3)\quad (13.6)$$

## TRANSDUCER NULLING

Wheatstone-bridge strain-gauge transducers should have a zero output voltage when the stimulus parameter is also zero, but manufacturing tolerances often cause a slight offset potential to exist at the output.

Similarly, there can be a static value of the stimulus parameter always applied to the transducer, creating an output offset. It is

changes above and below the static value that are of interest in those cases.

If there is plenty of dynamic range in the instruments used to process the transducer output signal, then a nulling circuit may not be needed. Even in computerized instruments, where reading interpretation of an offset is not possible, the offset need not be a problem. A program segment can be written to null the offset in software. The output of the A/D converter is read under conditions of known zero stimulus, and the result is then stored in a register or memory location. Subsequent data will represent the sum of the offset and the real data, so the program merely subtracts the offset from each new data that is entered.

In cases where the offset must be actually nulled out, there must be provided a means for adjusting the transducer output to zero when the stimulus parameter is also zero. The traditional method (shown in Fig. 13-3), uses a potentiometer.

The transducer is a Wheatstone bridge with four equal valued arms of resistance  $R$ . The transducer is excited by a DC potential  $E$ . By the ordinary method of analysis we know that in the null condition:

$$I_1 R_1 = I_2 R_3 \quad (13.6)$$

$$I_1 R_2 = I_2 R_4 \quad (13.7)$$

and if  $R_1 = R_2 = R_3 = R_4 = R$ , then,

$$I_1 = I_2 \quad (13.8)$$

but if any  $R$  ( $R_1$  through  $R_4$ ) is not equal, then

$$I_1 \neq I_2 \quad (13.9)$$

and an output offset voltage will exist across the output terminals.

A balance circuit consisting of a potentiometer ( $R_5$ ) and a fixed resistor ( $R_6$ ) injects a current into one node that reestablishes equality Eq. 13.8, reducing  $E_{\text{OUT}}$  to zero under zero stimulus conditions.

A digital method using a D/A converter is shown in Fig. 13-4A. In this example the D/A converter is used as a digitally controlled potentiometer and accomplishes essentially the same job as the manual method of Fig. 13-3. If an offset voltage greater than a very

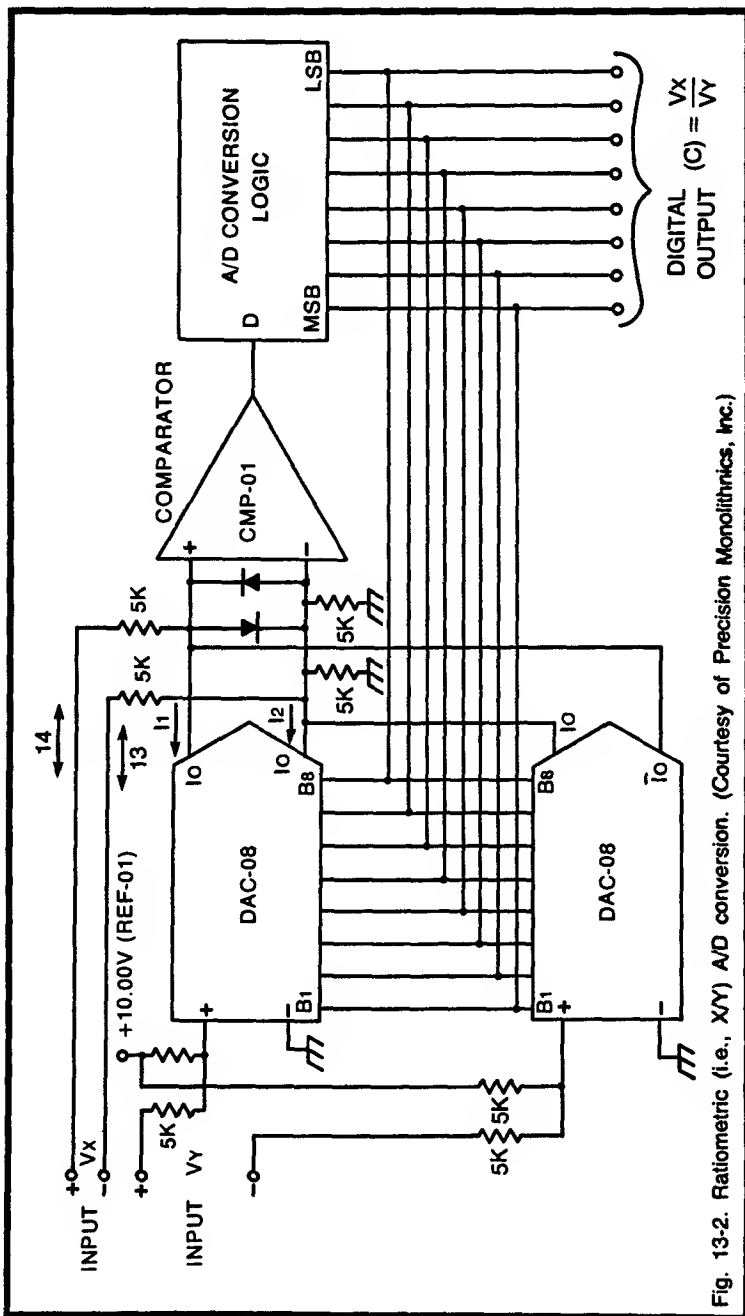


Fig. 13-2. Ratiometric (i.e., XY) A/D conversion. (Courtesy of Precision Monolithics, Inc.)



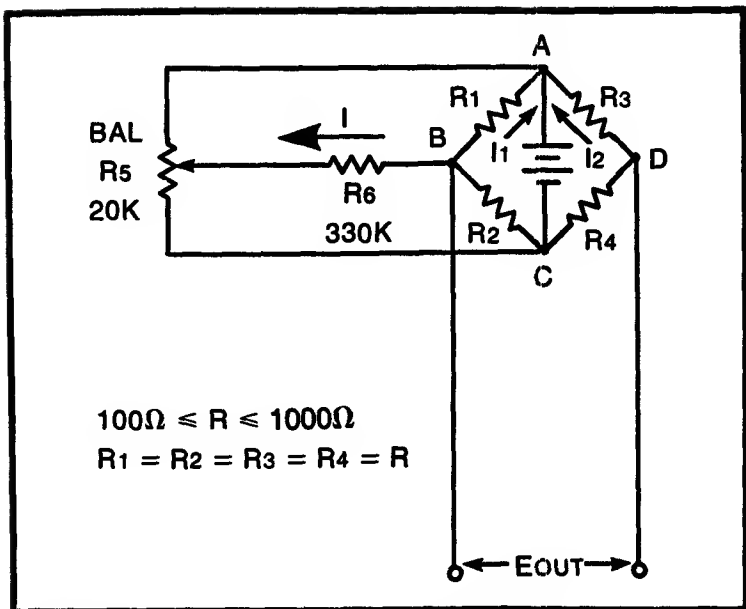


Fig. 13-3. Manual Wheatstone bridge null-balance circuit.

small amount exists when the stimulus is known to be zero, then the D/A converter can be incremented until the comparator senses that the offset has been nulled out.

A variation on this idea that makes use of the complementary output currents of the DAC-08 is shown in Fig. 13-4B. In this circuit the ground node is broken, and the  $I_{OUT}$  and  $\bar{I}_{OUT}$  of the DAC-08 are used to drive the two halves. Although this technique looks good, it often proves very difficult to actually implement with real transducers because most commercial transducers are constructed in a manner that precludes breaking any node. Some industrial strain gauges are sold in a nonpackaged form, often mounted on a sheet of plastic or mica. In these the technique of Fig. 13-4B will work.

Figure 13-5 shows a type of A/D converter that will directly convert the output of a transducer. The circuit works as a continuously seeking null-balance circuit. In the configuration shown the digital output will track any changes in the transducer output voltage.

The technique of Fig. 13-5 can be extended to other A/D converter methods, such as the successive-approximation circuit,

by rearranging the circuit of Fig. 13-5 according to the rules and designs given in Chapter 10.

Offset null can be by subtraction in software, or by connecting a second DAC-08 in parallel with the DAC-08 of Fig. 13-5. The binary

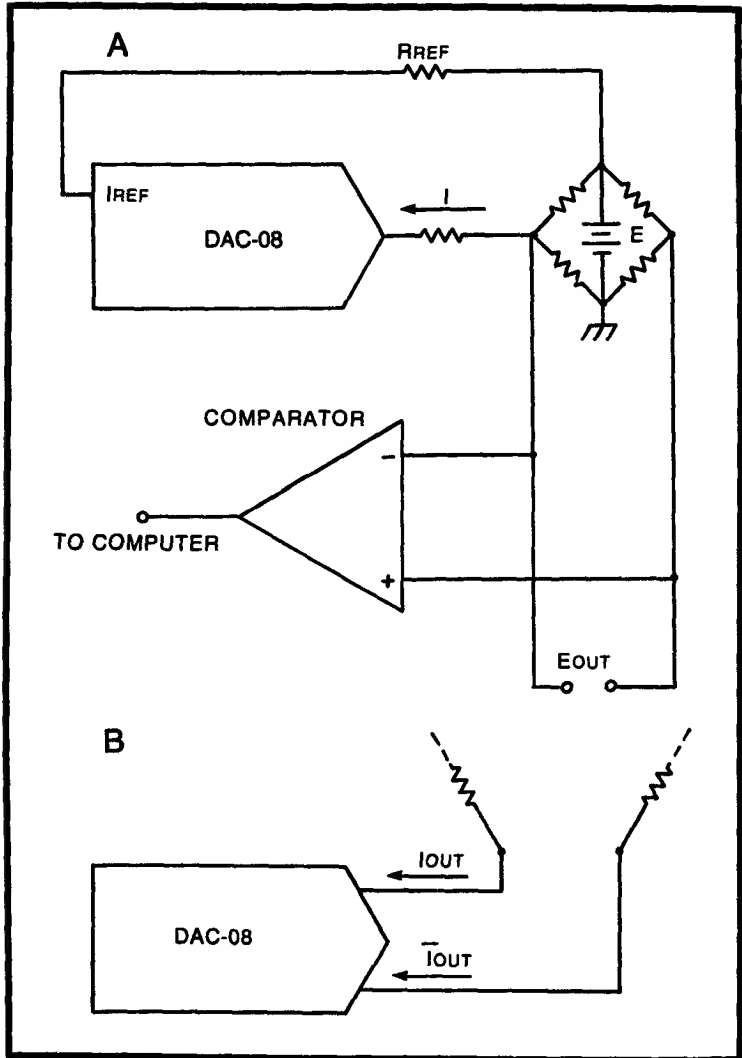


Fig. 13-4. (A) D/A converter null circuit in which the D/A converter replaced the potentiometer of Fig. 13-3. (B) method that takes advantage of complementary current output of the DAC-08.

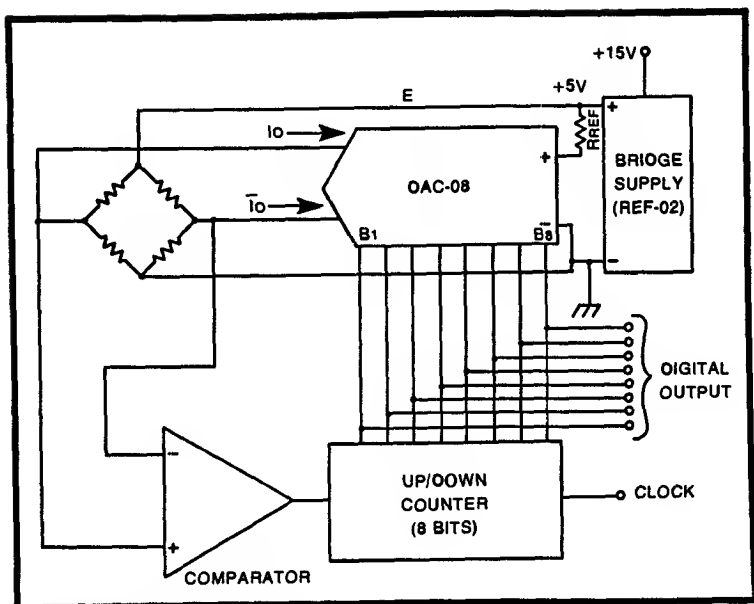


Fig. 13-5. Null-tracking A/D converter for Wheatstone bridge. (Courtesy of Precision Monolithics, Inc.)

word applied to the A/D converter DAC-08 would be the code that sets  $I_{OUT} = \bar{I}_{OUT}$ , which is 10000000 in unipolar operation.

The circuit of Fig. 13-5 also offers the advantage that it tracks drift in the power supply voltage to the transducer because  $E$  is also used as the DAC-08 reference voltage,  $E_{REF}$ .

Be aware that the REF-02 shown in the figure may not be able to drive some Wheatstone bridge transducers, especially those in which  $R$  has a low value. The REF-02 is rated by the manufacturer at a load current of 20 milliamperes, of which up to 2 milliamperes be needed for  $I_{REF}$ . The 18 milliamperes left over for the transducer may limit the selection of transducers to comply with the expression

$$5 \text{ volts}/R \leq 18 \text{ mA}$$

where  $R$  is the resistance looking back into the transducer, which in a Wheatstone bridge (only) is the resistance of an arm. This expression tells us that the arm resistance, if the REF-02 is used, must be 278 ohms or greater. Many transducers have lower value resistances.

## Chapter 14

# Analog & Digital Multiplexing

---

Multiplexing is the mixing together of two or more signals in a single communications channel or path in such a manner that they can be easily separated at the receiver end. Two types of multiplexing are commonly employed: *frequency domain* and *time domain*.

Frequency domain multiplexers use different frequencies or frequency bands for different signals. In carrier telephony, for example, each voice band (i.e., 300 to 3000 hertz) occupies approximately 3 kHz of spectrum space. If a single-sideband system using audio-range carriers is employed, then two or more channels can pass over the same pair of wires or radio link.

Figure 14-1 shows how this can be accomplished. Channels 1 and 2 are both 300 to 3000 hertz voice band communications channels, and if transmitted over the same pair of wires *as is* would interfere with each other. But if we send channel 1 over the wires in baseband (i.e., unchanged), then we must frequency-translate channel 2 before it can be sent. This is done by using channel 2 signals to modulate an upper-sideband generator with a carrier of, say, 6000 hertz (see Fig. 14-1B).

Another, but simpler, type of frequency division system, used in computer and mechanical (i.e., teletypewriter) systems using binary character representation, is to select different tone pairs for the *one* and *zero* logic levels of different machines.

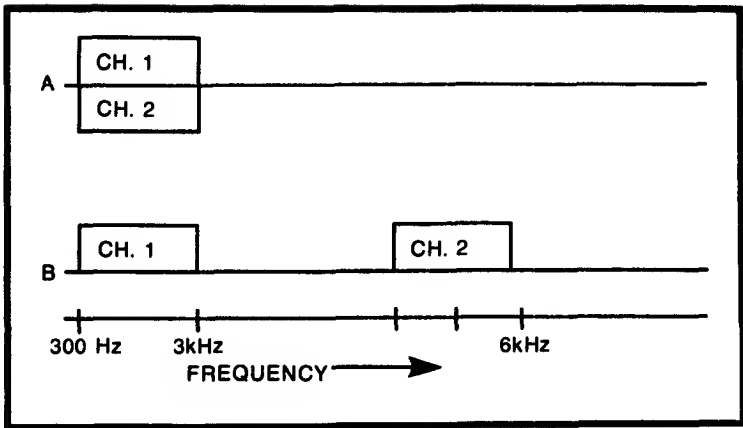


Fig. 14-1. Multichannel operation. (A) Channels overlapping (B) Channel 1 in voice band with channel 2 frequency-translated to a higher frequency.

An example is shown in Fig. 14-2. In this hypothetical system we have two channels, 1 and 2. Each channel passes binary data in which the logic 1 and logic 0 states are represented by different tones. Four tones are required because there are four distinct states: channel 1 logic 1, channel 1 logic 0, channel 2 logic 1, and channel 2 logic 2.

In channel 1 we have defined logic 1 as a 1070 Hz tone, and logic 0 as a 1280 Hz tone. Channel 2 is similarly defined with logic 1 being represented by 2025 Hz, and logic 0 being 2225 Hz. These tones can be summed in a linear audio mixer, then applied to the communications system (i.e., radio or telephone channels).

At the receiver end of the system the composite audio tone created by mixing is applied simultaneously to a set of narrow bandpass filters that give an output only when the proper tone passes through the system. The decoders at the output detect the existence or nonexistence of each tone. The decoder is usually some sort of phase-locked loop and comparator circuit, or a rectifier and comparator system. The comparator senses the existence information and produces a logic level output indicating the state.

Time domain multiplexing is a little easier to implement in some cases because of the ready availability of integrated circuits that do the majority of the work. In the time domain technique a channel is

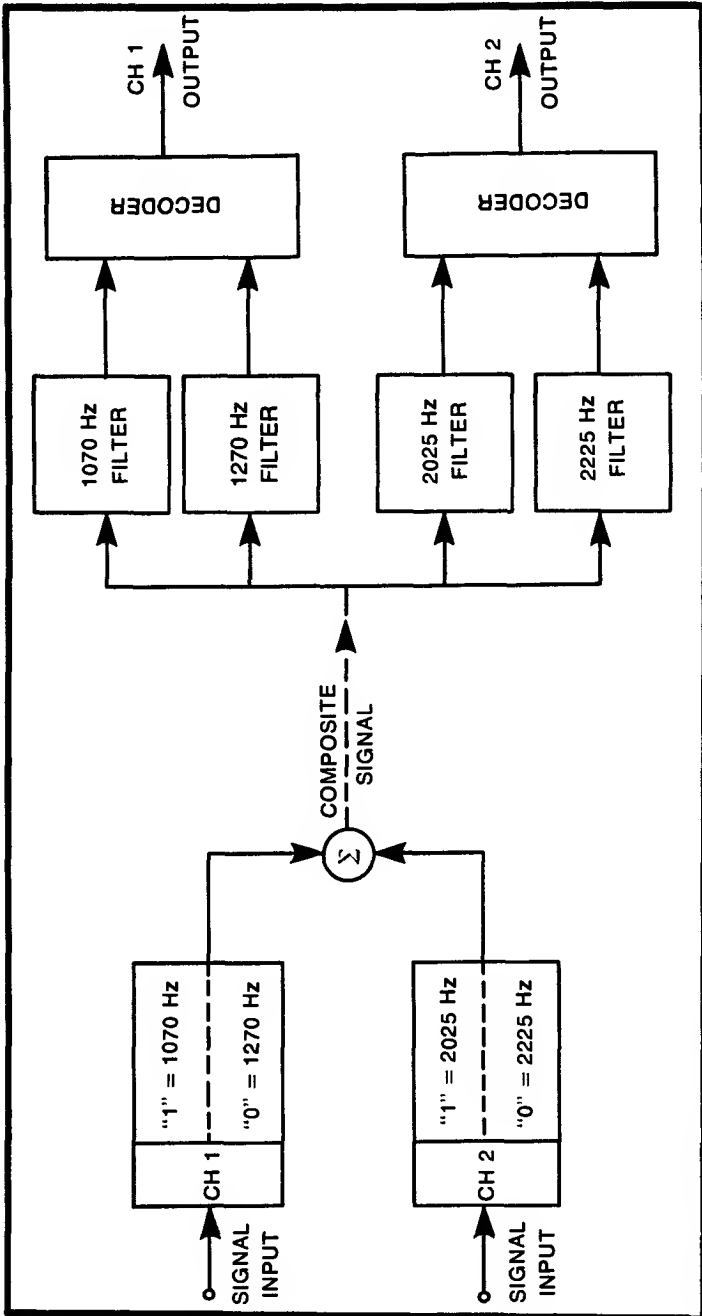


Fig. 14-2. Frequency division digital transmission system.

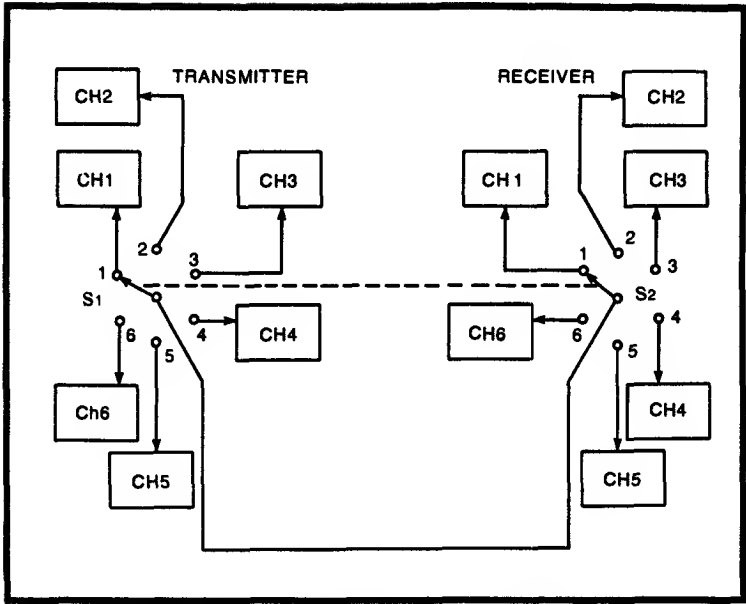


Fig. 14-3. Simplified schematic of time-division multiplexing.

sampled at separate times, and the system sees a stream of interleaved samples in the transmission path. Time division requires that both receiver and transmitter ends be synchronized to the same clock, otherwise the data would remain interleaved, and is a confusing mess in that case.

A simplified representation of a six channel time domain multiplexed system is shown in Fig. 14-3. Switches  $S_1$  and  $S_2$  are two-pole-six-position rotaries that are ganged together. Switch  $S_1$  is connected so that one channel at a time feeds the transmission path, while  $S_2$  is connected so that the transmission path drives one channel at a time. It is necessary to insure that the transmit and receive switches are connected to the same channel at the same time.

When  $S_1$ - $S_2$  are in position 1, then channel 1 in the transmitter is connected to channel 1 on the receiver. Moving  $S_1$ - $S_2$  to position 2 similarly connects channel 2 in the transmitter to channel 2 in the receiver, after disconnecting channel 1, of course. This action sweeps through all six positions in sequence. Switches  $S_1$ - $S_2$  are

360-degree types, so that rotating them clockwise produces a continuous 1, 2, 3, 4, 5, 6, 1,... sequence.

An example of a simple two-channel analog signal multiplexer is shown in Fig. 14-4. This circuit is based on the CMOS 4016 or 4066 (updated version of 4016) quad bilateral switches. The 4066 is a newer, updated, version of the 4016 and is preferred if easily available. The 4016, however, is widely available through mail-order and hobbyist retail electronics stores.

Each switch in either 4016 or 4066 is independent from the others, except for a common power supply. When the voltage applied to the control pin for any given switch (i.e., pins 5, 6, 12, or 13) is equal to the voltage on pin 7, the switch will be off. That is to say it will present a very high series impedance. In this case pin 7 is grounded, so a 0-volt condition on a control will turn off that switch. The pin 7 voltage can be 0 to  $-5$  volts.

Applying a voltage equal to the pin 14 voltage to a control pin will turn on the switch, that is, cause its series impedance to the signal path to drop very low, often less than 100 ohms, and in all cases less than 2000 ohms.

In the circuit of Fig. 14-4 we use just two of the four switches ( $S_1$  and  $S_2$ ). The circuit is configured so that one terminal of each switch (i.e., pins 2 and 3) are tied together to become the output. Pin 1 is the channel 1 input, while pin 4 is the channel 2 input.

The circuit is clocked by a square wave signal driving a JK flip-flop ( $FF_1$ ). In a JK flip-flop, the  $Q$  and  $\bar{Q}$  are complementary, so one is high while the other is low (see the timing diagram in Fig. 14-4B).

During period  $T_1$ , the  $Q$  is high and  $\bar{Q}$  is low. This turns on switch  $S_1$  and turns off  $S_2$  because pin 5 of the 4066 is high and pin 13 is low. The channel 1 signal will appear on the output line during this period.

Following the next clock pulse, during period  $T_2$ , the situation reverses;  $S_1$  is now open and  $S_2$  is now closed. The channel 2 signal will appear on the output during this period. The situation reverses following each clock pulse, so channels 1 and 2 are alternatively connected to the output line.



This action causes the two signals to be interleaved with each other, and would result in a hopeless mess at the other end of the system unless a demultiplexer is provided. A suitable circuit would be another 4066 connected the same as Fig. 14-4A, except that the output becomes the input and the two inputs are redesignated as outputs to the respective channels. The 4016 and 4066 are *bilateral* switches, meaning that they don't care which direction the signal travels.

The circuit in Fig. 14-4 has been billed as a multiplexer (which is an accurate designation), but it is also occasionally seen under the name "electronic oscilloscope switch," or something similar. In that case it is used to make a single-channel oscilloscope into a dual-channel model. The chopping action of the 4066 will not be noted on the screen of the CRT if the switching frequency is high compared with the frequency of the applied waveforms. DC bias on each channel serves as a position control to separate the two beams to different places on the CRT screen.

Three other common CMOS 4000-series chips are also used extensively as analog or digital multiplexers/demultiplexers. These are the 4051, 4052, and 4053.

The 4051 chip is called a 1-of-8 switch, and is analogous to a single-pole-eight-position rotary switch. The 4052 is a dual 1-of-4 switch, and is analogous to a pair of ganged single-pole-four-position switches. The 4053 is billed as a triple 1-of-2 switch, so is analogous to three ganged SPDT switches.

All three chips have an inhibit pin that turns off all switches in that package. When the inhibit is low, then the select pins control which switches are on or off. The 4051 and 4053 use three select pins, while the 4052 uses two select pins. These are driven from binary sources as was done in the example of Fig. 14-4.

## **PMI MUX-88**

Figure 14-5 shows the Precision Monolithics, Inc. type MUX-88 multiplexer-demultiplexer chip. It is a monolithic eight-channel JFET analog switch circuit. Since it uses JFETs rather than CMOS transistors in the switch circuits, it is not susceptible to static

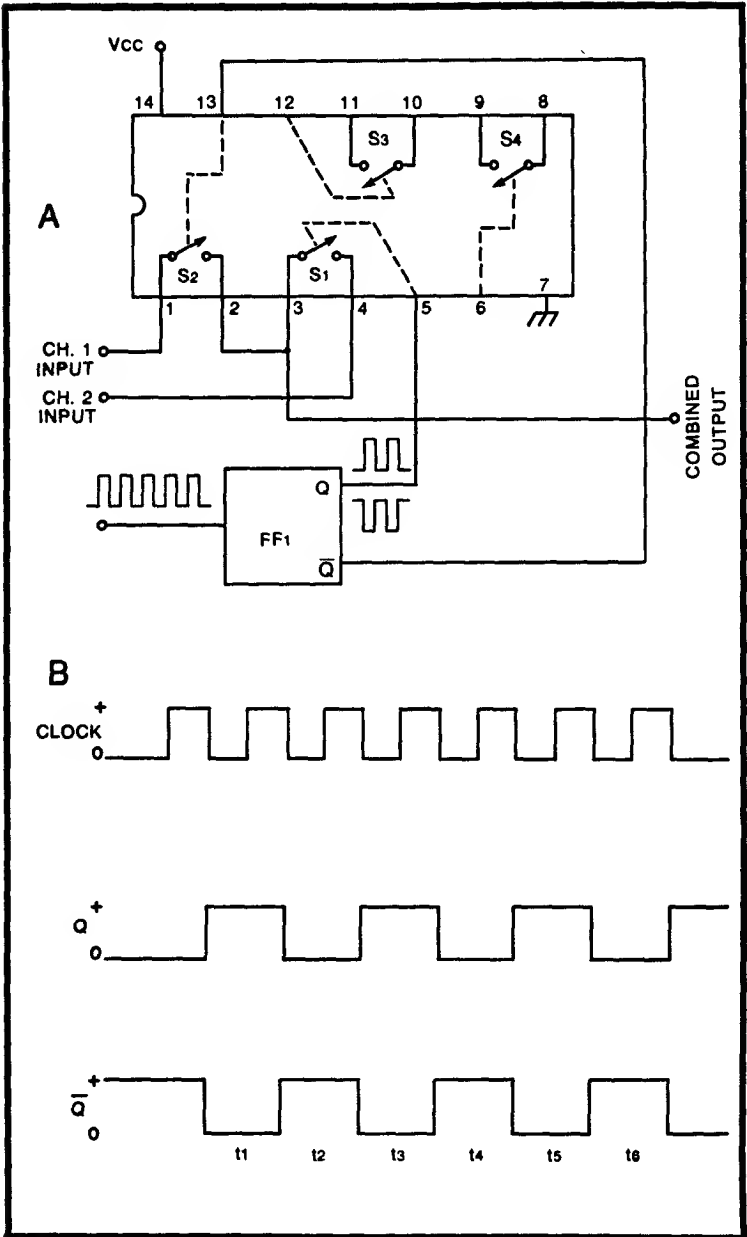


Fig. 14-4. Simple two-channel time-division multiplexer using the 4016 or 4066 CMOS switch. (A) Circuit. (B) FF1 waveforms.

charge blowout when it is handled. It will operate from either TTL or CMOS logic level signals, and provides the make-before-break switching action.

One terminal of each switch is connected to the output (i.e., drain), while the other terminal on each switch go to separate pins on the IC package. This configuration provides SP8T action in response to the three-bit select code (see truth table). An octal (i.e., three-bit) counter can be used to generate the select code. As in the 4051-4053 devices, there is a chip select pin that enables the MUX-88 when high, and inhibits it when low.

### **DATTEL MX SERIES**

The Datel MX-series 4-, 8-, and 16-channel CMOS multiplexers are shown in Fig. 14-6. These devices are compatible with TTL, DTL, and CMOS logic levels, and are driven through 2-, 3-, or 4-bit binary address select codes. The MX-series chips are monolithic IC technology.

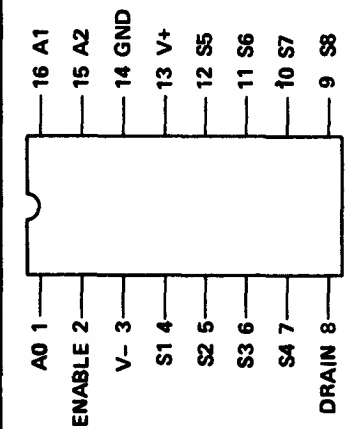
These multiplexers can boast of 0.01% transfer accuracy at sample rates of 200 kHz and signal swings over  $\pm 10$  volts. The channel-off resistance is typically 1.5K at room temperature and less than 2K over the rated temperature range.

The power supply is  $\pm 5$  volts DC to  $\pm 20$  volts DC, and power consumption is only 7.5 milliwatts in standby condition. At a 100 kHz sampling rate the power consumption is still down as low as 15 milliwatts. Total package dissipation is 725 milliwatts for the MX-808 and MSC-409, and 1200 milliwatts (i.e., 1.2 watts) for the MX-1606 and MXD-807.

The MX-1606 is a 1-of-16 channel single-ended device, analogous to an SP8T switch. It uses a four-bit (i.e.,  $2^4 = 16$ ) address select code. The MXD-409 and MXD-807 are 2-of-4 and 2-of-8 devices, respectively. The four-channel model uses a two-bit address select code, while the eight-channel model uses a three-bit code.

The transfer accuracy of any electronic switching multiplexer depends upon the source and load resistances. The output voltage will be given by

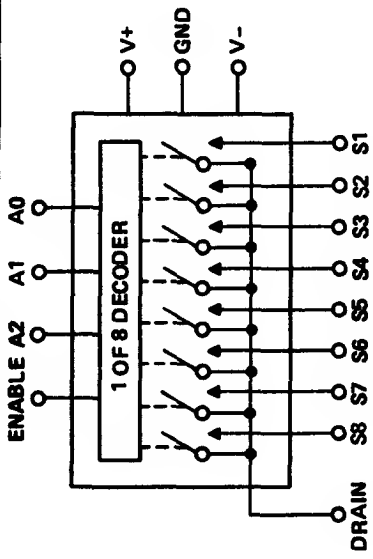
$$E_{OUT} = \frac{E_{IN}R_L}{R_S + R_{ON} + R_L} \quad (14.1)$$



TOP VIEW

16 PIN HERMETIC DUAL-IN-LINE  
(Q-Suffix)

| MODEL    | TEMP RANGE      |
|----------|-----------------|
| MUX-88AQ | -55°C TO +125°C |
| MUX-88BQ | -55°C TO +125°C |
| MUX-88EQ | -25°C TO +85°C  |
| MUX-88FQ | -25°C TO +85°C  |



| A2 | A1 | A0 | EN | "ON" CHANNEL |
|----|----|----|----|--------------|
| X  | X  | X  | L  | NONE         |
| L  | L  | L  | H  | 1            |
| L  | L  | H  | H  | 2            |
| L  | H  | L  | H  | 3            |
| L  | H  | H  | H  | 4            |
| H  | L  | L  | H  | 5            |
| H  | L  | H  | H  | 6            |
| H  | H  | L  | H  | 7            |
| H  | H  | H  | H  | 8            |

Fig. 14-5. Precision Monolithics, Inc. MUX-88 eight-bit multiplexer IC. (Courtesy of Precision Monolithics, Inc.)

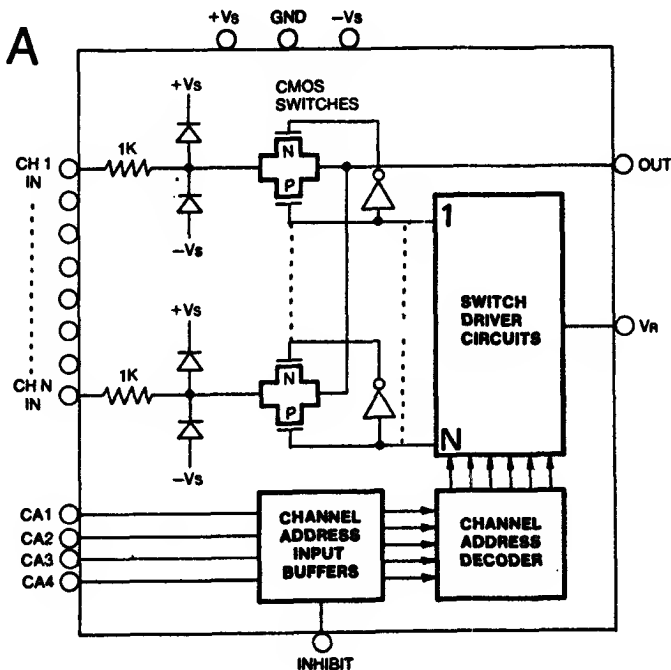


Fig. 14-6. Datel MX-series data multiplexers. (A) General block diagram. (B) pin layouts. (C) Channel addressing protocol. (Courtesy of Datel Systems, Inc.)

where  $E_{OUT}$  is the switch output voltage (across load  $R_L$ ),  $E_{IN}$  is the switch input voltage (i.e., the open-circuited output voltage of the source),  $R_L$  is the load resistance seen by the switch,  $R_S$  is the output impedance of the signal source, and  $R_{ON}$  is the series-on resistance of the switch.

Equation 14.1 tells us that it is wise to keep  $R_S$  and  $R_{ON}$  as low as possible, while keeping  $R_L$  as high as possible. The former criteria is met by using a low output impedance source such as an operational amplifier at the input of the switch. The output load should be another operational amplifier with an input impedance greater than  $10^7$  ohms, with greater than  $10^8$  ohms preferred. Note that BiMOS and BiFET (RCA devices) operational amplifiers can boast input

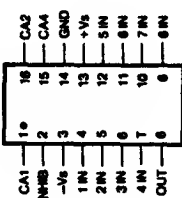
# CHANNEL ADDRESSING

C

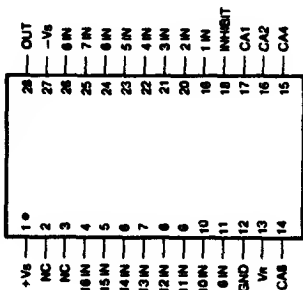
# PIN CONNECTIONS

B

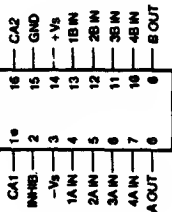
**MX-808**



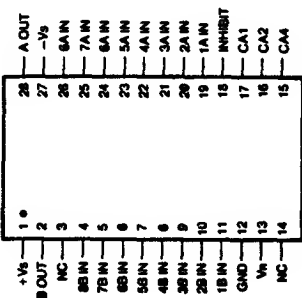
**MX-1606**



**MXD-409**



**MXD-807**



**NOTES:**

- CA = CHANNEL ADDRESS
- V<sub>s</sub> = SUPPLY VOLTAGE
- V<sub>r</sub> = REFERENCE VOLTAGE
- NC = NO CONNECTIONS

**MX-908, MXD-907**

| 4 | 2 | 1 | INHIB. | CHANNEL | ON |
|---|---|---|--------|---------|----|
| X | X | X | 0      | NONE    |    |
| 0 | 0 | 0 | 1      | 1       | 1  |
| 0 | 0 | 1 | 1      | 2       | 2  |
| 0 | 1 | 0 | 1      | 3       | 3  |
| 0 | 1 | 1 | 1      | 4       | 4  |
| 1 | 0 | 0 | 1      | 5       | 5  |
| 1 | 0 | 1 | 1      | 6       | 6  |
| 1 | 1 | 0 | 1      | 7       | 7  |
| 1 | 1 | 1 | 1      | 8       | 8  |

**MXD-409**

| 2 | 1 | INHIB. | CHANNEL | ON |
|---|---|--------|---------|----|
| X | X | 0      | NONE    |    |
| 0 | 0 | 1      | 1       | 1  |
| 0 | 1 | 1      | 2       | 2  |
| 1 | 0 | 1      | 3       | 3  |
| 1 | 1 | 1      | 4       | 4  |

impedances of over  $10^{12}$  ohms, so are often specified for use in this application.

### Example 14-1

Find the output voltage in terms of input voltage if  $R_S = 100$  ohms,  $R_{ON} = 2000$  ohms, and  $R_L = 20M$ .

**Solution:**

$$\begin{aligned} E_{OUT} &= \frac{E_{IN}R_L}{R_S + R_{ON} + R_L} \\ &= \frac{E_{IN} (2 \times 10^7)}{(10^2) + (2 \times 10^3) + (2 \times 10^7)} \end{aligned}$$

$$\begin{aligned} \frac{E_{OUT}}{E_{IN}} &= \frac{2}{2.0007} \\ &= 0.9999 \end{aligned}$$

The error, then, is

$$S = \frac{1 - 0.9999}{1} \times 100\%$$

$$\begin{aligned} S &= (0.0001)(100\%) \\ S &= 0.01\% \end{aligned}$$

This example tells us that a 0.01% error is possible, given normal operational amplifier output impedance levels and a worse case 2K switch resistance, if a 20M or larger load impedance is maintained. This is obtained by specifying a high input impedance operational amplifier such as the LF156 or RCA CA3160 for the follower stage after the multiplexer

Figure 14-7 shows how four sixteen-channel multiplexers such as the Datel MX-1606 can be connected to form a 64-channel multiplexer. To address 64 different channels requires a six-bit

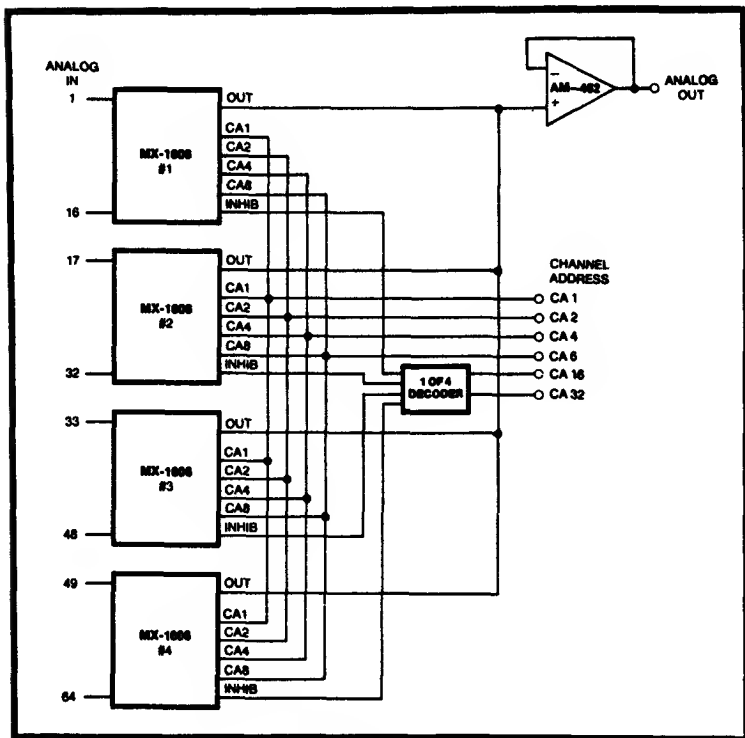


Fig. 14-7. Using four MX-1606 multiplexers in a 64 channel system. (courtesy of Datel Systems, Inc.)

address code ( $2^6 = 64$ ). In the circuit of Fig. 14-7 this is created by tying together in a four-bit parallel bus format the  $CA_1$ ,  $CA_2$ ,  $CA_4$ , and  $CA_8$  lines from all four MX-1606 devices. The remaining two address lines are fed to a 1-of-4 decoder that sequentially activates the inhibit lines of each MX-1606 device. These form  $CA_{16}$  and  $CA_{32}$  address lines. The common output lines from the four devices are connected together at the input of a high impedance unity gain follower.

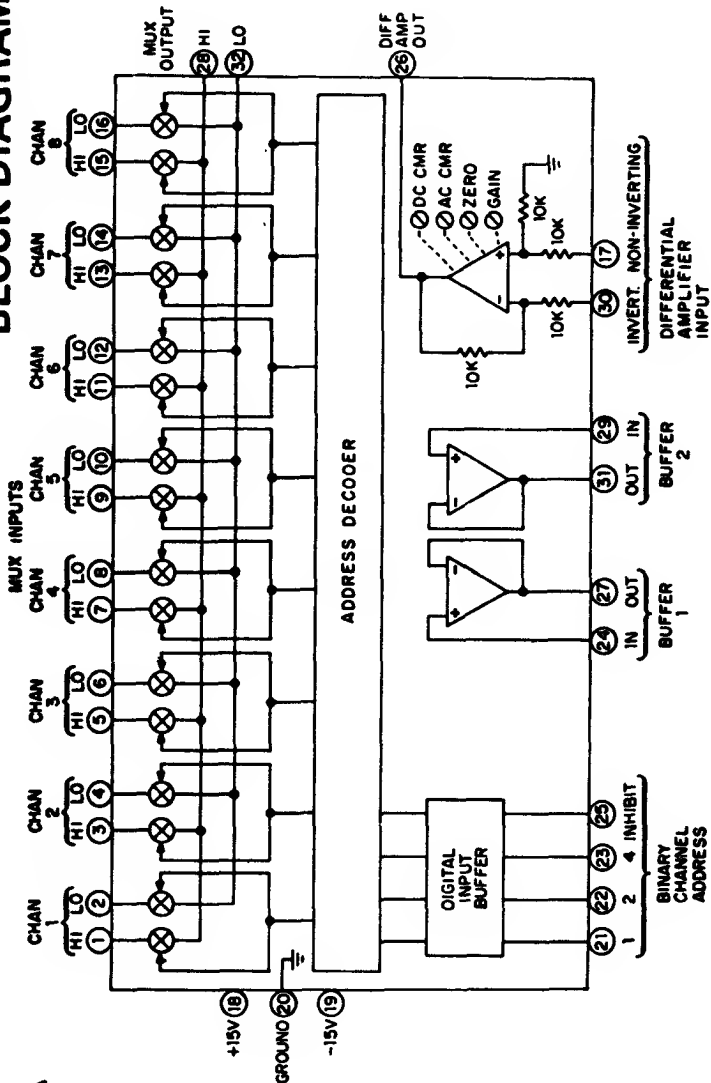
### DATEL MMD-8 ANALOG MULTIPLEXER

Figure 14-8 shows a hybrid analog multiplexer function module. This device is an eight-channel differential multiplexer. It has a three-bit address bus input and an inhibit terminal.



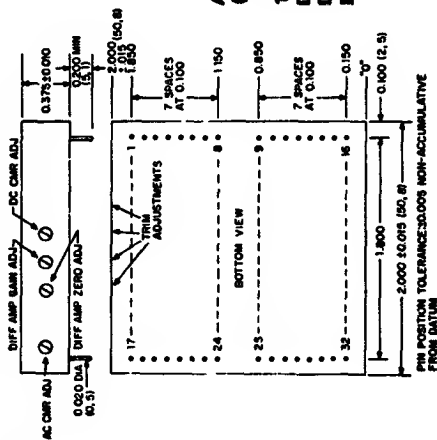
# BLOCK DIAGRAM

A



### MECHANICAL DIMENSIONS — INCHES (MM)

**B**



AC CMR ADJ  
 (SINGLE TURN POTS)

16-TURN POTS:  
 DIFF AMP ZERO ADJ  
 DIFF AMP GAIN ADJ  
 DC CMR ADJ

### INPUT/OUTPUT CONNECTIONS

**C**

| PIN | FUNCTION           | PIN | FUNCTION           |
|-----|--------------------|-----|--------------------|
| 1   | CHANNEL 1 HI INPUT | 17  | DIFF. AMP. POS. IN |
| 2   | CHANNEL 1 LO INPUT | 18  | +15V POWER         |
| 3   | CHANNEL 2 HI INPUT | 19  | -15V POWER         |
| 4   | CHANNEL 2 LO INPUT | 20  | PWR & SIG. GND     |
| 5   | CHANNEL 3 HI INPUT | 21  | ADDRESS INPUT 1    |
| 6   | CHANNEL 3 LO INPUT | 22  | ADDRESS INPUT 2    |
| 7   | CHANNEL 4 HI INPUT | 23  | ADDRESS INPUT 4    |
| 8   | CHANNEL 4 LO INPUT | 24  | BUFFER 1 INPUT     |
| 9   | CHANNEL 5 HI INPUT | 25  | ADDRESS INHIBIT    |
| 10  | CHANNEL 5 LO INPUT | 26  | DIFF. AMP. OUTPUT  |
| 11  | CHANNEL 6 HI INPUT | 27  | BUFFER 1 OUTPUT    |
| 12  | CHANNEL 6 LO INPUT | 28  | MUX. HI OUTPUT     |
| 13  | CHANNEL 7 HI INPUT | 29  | BUFFER 2 INPUT     |
| 14  | CHANNEL 7 LO INPUT | 30  | DIFF. AMP. NEG. IN |
| 15  | CHANNEL 8 HI INPUT | 31  | BUFFER 2 OUTPUT    |
| 16  | CHANNEL 8 LO INPUT | 32  | MUX. LO OUTPUT     |

Fig. 14-8. Datal MMD-8 hybrid function module multiplexer. (Courtesy of Datal Systems, Inc.)

The MMD-8 contains three different isolated operational amplifiers. Two are unity-gain noninverting followers used primarily as input buffers. The third is a unity-gain DC differential amplifier with zero offset, gain, and both AC and DC common-mode rejection (CMR) adjustment capability. It can handle signals of  $\pm 10$  volts, and offers switching times on the order of 500 nanoseconds (without amplifiers, which tend to slow down any circuit). Settling time for 0.01% of full-scale output, with amplifiers, is on the order of 4 microseconds. This device would be selected in most critical applications that could not be handled by the lower MX-series devices.

### **SOME DIGITAL MULTIPLEXER DEVICES**

Digital multiplexers are usually called *data selectors* in manufacturer's catalogues. In CMOS such devices are the 4019, 4539, and 4512; while in TTL the 74150 through 74160 series of devices are available. Any of these will translate an input logic level or its reverse to the output on receipt of a command from the address bus. There are too many devices to enumerate here, and the reader is referred to the following list and any TTL data book.

|       |             |
|-------|-------------|
| 74147 | 1-of-8      |
| 74148 | 8-to-3      |
| 74150 | 16-to-1     |
| 74151 | 8-to-1      |
| 74152 | 8-to-1      |
| 74153 | dual 4-to-1 |
| 74154 | 4-to-16     |
| 74155 | dual 2-to-4 |
| 74157 | quad 2-line |
| 74158 | quad 2-line |

## Chapter 15

# Data Acquisition Systems

---

Data acquisition systems are available from several different manufacturers, and on first blush appear to be very costly. But designing and building any electronic assembly can be fraught with problems: errors in concept, unexpected properties of the electronic components used, glitches due to differences in the propagation or closing times of allegedly identical gates, power supply problems, and so forth. In general, it is a long way from the initial motivation to design and build a product and actually placing the finished product into service. In a small data acquisition system these problems are not too terrible, but as the number of channels increases, say to more than six or seven, then the severity of even simple problems also increases dramatically. It is simply not enough to pick an A/D converter and place it on a PC board; many of these systems are simply not of the plug-and-chug variety.

Fortunately, several manufacturers offer printed circuits or hybrid function modules that are complete data acquisition systems; including all necessary data multiplexers, A/D converters, and control logic. Models are available that provide 8, 16, 32 or 64 channels.

There are three basic approaches to making these systems: hybrid function modules, universal printed-circuit card models, and PC boards designed for use in a specific brand or model computer.

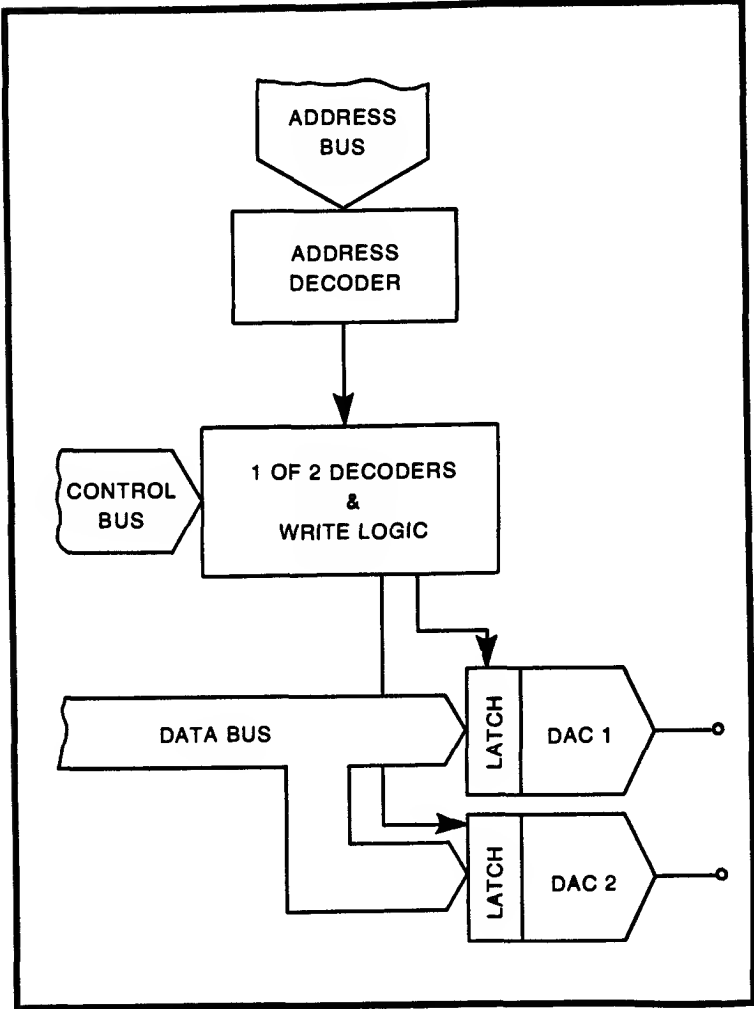


Fig. 15-1. MP-10/MP-11 data output system by Burr-Brown.

Which is most appropriate is determined by your own application and resources.

An example of the hybrid system is the Burr-Brown (International Airport, Industrial Park, Tucson, AZ 85734) MP-10/MP-11 and MP-20/MP-21 modules.

The MP-10 and MP-11 analog output modules are shown in Fig. 15-1. Both of these subassemblies are completely self-sufficient and

require no external logic other than the computer. The microprocessor sees these modules as a memory location rather than as an I/O port. This means that only a single instruction is needed to latch a new word into the D/A converter of each of the two channels.

The MP-10 and MP-11 require approximately 90 milliamperes of +5 volts DC and  $\pm 30$  milliamperes of  $\pm 15$  volts DC. Placed on a circuit card with a standard plastic package three-terminal regulator (750 to 1000 milliamperes), these devices leave plenty of current capacity for other circuits.

The MP-10 is directly compatible with the following microprocessor chips: 9080, 8080A, Z-80, 8048, and SC/MP. The MP-11 works with the 6800, F8, and 650X series.

The MP-20 and MP-21 are data acquisition input modules. They are also treated as memory. Programming is by hard-wiring a certain set of programming terminals (i.e.,  $\bar{A}_4$  through  $\bar{A}_{14}$ ) that determine the code that the address bus inputs will recognize.

The address bus is divided into two sections.  $A_0$  through  $A_3$  are used as the channel select bits. Channel 0 is selected if this low-order half-byte (i.e., nybble) is  $0000_2$ , while channel 15 is selected if the code is  $1111_2$  (i.e.,  $F_{16}$ ).

The  $\bar{A}_4$  through  $A_{14}$  lines determine the memory address recognized as being the correct address for the module. For example if we want to select an address in which  $\bar{A}_{14}$  is logic 1, then the  $\bar{A}_{14}$  terminal is set to logic 0, i.e., it is grounded. Alternatively, if we want  $A_{14}$  to respond to a logic 0, then the  $\bar{A}_{14}$  terminal is connected to +5 volts through a 1K pull-up resistor.

Let us consider an example in which the sixteen analog channels are located at a base address (i.e., the address of the lowest-order channel, channel 0) of  $F970_{16}$ , which in binary is

1 1 1 1 1 0 0 1 0 1 1 1 0 0 0 0  
 ↑     ↑                             ↑     ↑  
 $A_{15}$   $A_{14}$                               $A_4$       $A_0$

To encode this address into the MP-20 or MP-21, we would set the  $\bar{A}_4$  through  $\bar{A}_{14}$  inputs as follows.

...0 0 0 0 1 1 0 1 0 0 0...  
       ↑                             ↑  
        $A_{14}$                               $A_4$

Note:  $A_{15}$  is wired internally to respond to only a high.

Whenever the programmed code appears on the address bus of the microcomputer (i.e., on  $A_4$  through  $A_{15}$ ), along with a MEMR pulse, then the MP-20/21 will convert the analog signal applied to the channel indicated by the lower-order four bits to a digital form.

Pin  $A_3$  is grounded for eight-channel operation. The MP-20 and MP-21 are capable of sixteen-channel single-ended operation or eight-channel differential operation. In the sixteen-channel mode a full conversion sequence in 8080A/Z-80 systems would be of the form:

LDA F970

(40  $\mu$ sec)

LDA F971

STA

(ADDR)

(40  $\mu$ sec)

LDA F972

STA

(ADDR + 1)

(40  $\mu$ sec)

.  
. .  
.

LDA F97F

STA

(ADDR + 15)

This program will initiate a channel 0 conversion by the MP-20 when a LDA F970 instruction is encountered in the program. The processor must then handle other chores, or loop, or go through some no-op (nonoperational) steps, for at least 40 microseconds to allow the MP-20 time to perform the analog-to-digital conversion. When the LDA F971 command is encountered, the MP-20 transfers the result of the first conversion into the computer's accumulator and begins the second conversion (i.e., of the analog data on channel 1, at location F971).

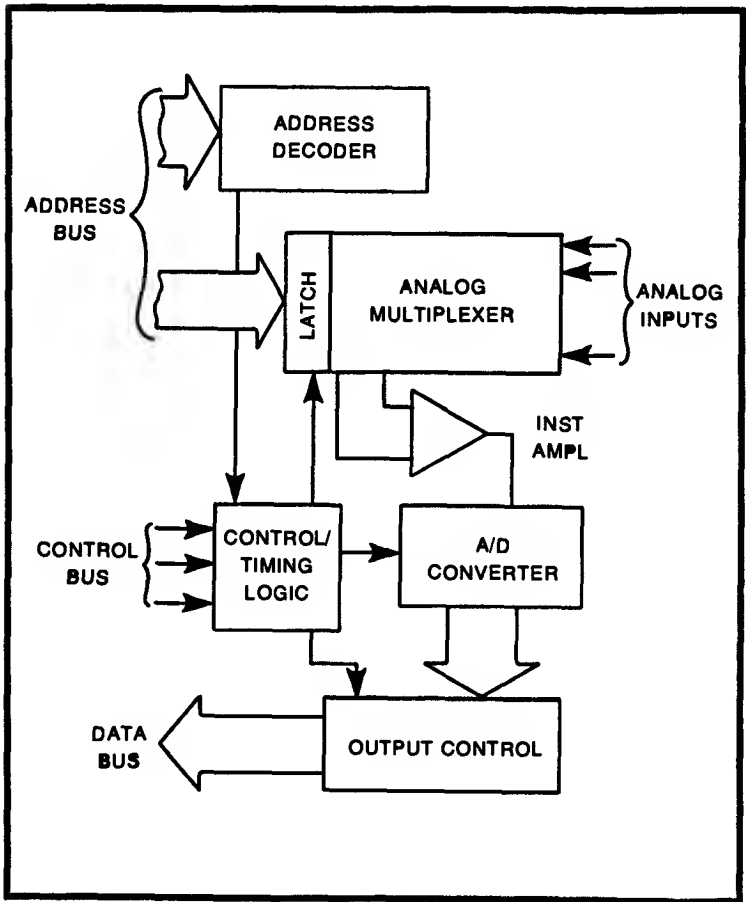


Fig. 15-2. MP-20/MP-21 data acquisition system by Burr-Brown.



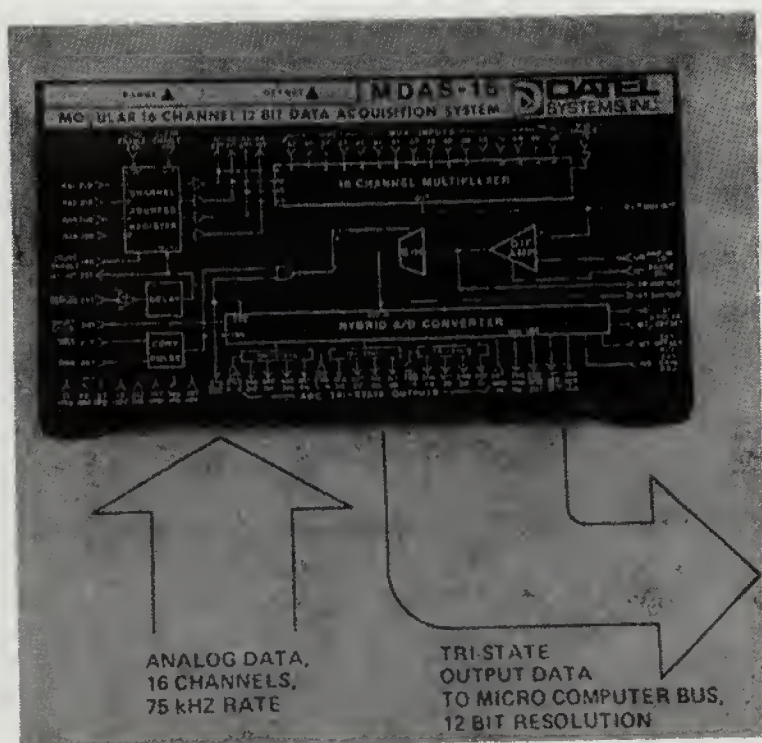


Fig. 15-3. Datel MDAS-16 hybrid data acquisition system. (Courtesy of Datel Systems, Inc.)

The next instruction, which can be executed while the data conversion is taking place, as part of the 40 microseconds, saves the data from the first conversion, which is now in the accumulator, by transferring it to a memory location given by the next byte (an address location), or two. This procedure will continue until all sixteen channels are converted. Note that it may not be necessary to simply store the data, and you might want to do some processing during the 40-microsecond conversion interval.

Figure 15-2 shows how the MP-10 and MP-20 can be interfaced with a Z-80 microprocessor chip and memory system. Note that for systems less than 32K in size, there is no possibility of erroneously using a real memory location for the data acquisition system, because in the Burr-Brown devices  $A_{15}$  only responds to a logic 1. This condition places all possible memory locations above 32K (i.e.,

$2^{15} = 32K$ ). The lowest address that the modules ordinarily recognize is 10000000 (i.e., 32K). They can be forced to respond to addressed locations in the lower 32K of memory by connecting an inverter between the address line and the  $A_{15}$  inputs on the data acquisition modules.

Another hybrid data acquisition module is the Datel MDAS-8 and MDAS-16 system shown in Fig. 15-3. These devices also allow the user to select eight differential or sixteen single-ended channels, although in different modules. The MDAS-8 is the eight-channel differential model, while the MDAS-16 is the sixteen-channel model.

Output coding is straight binary in unipolar operation, and offset binary or twos complement in bipolar operation.

The full-scale input range is pin programmable for 0 to +5 volts, 0 to +10 volts,  $\pm 2.5$  volts,  $\pm 5$  volts, and  $\pm 10$  volts.

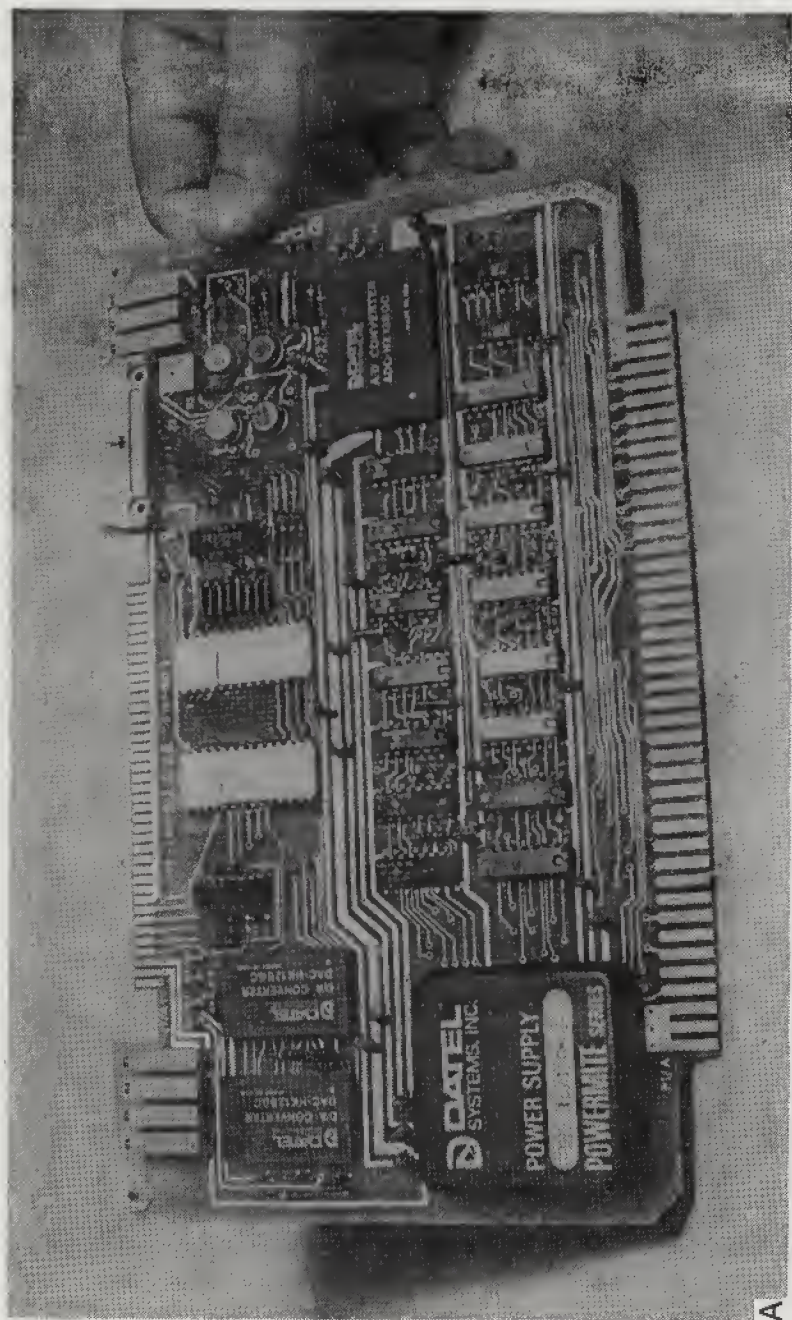
The Datel model offers 12-bit resolution at a 50 kHz rate, but they can be short-cycled if less resolution is tolerable. The short-cycle throughput rates are

| Bits | Rate (kHz) |
|------|------------|
| 12   | 50         |
| 10   | 53         |
| 8    | 57         |
| 4    | 67         |

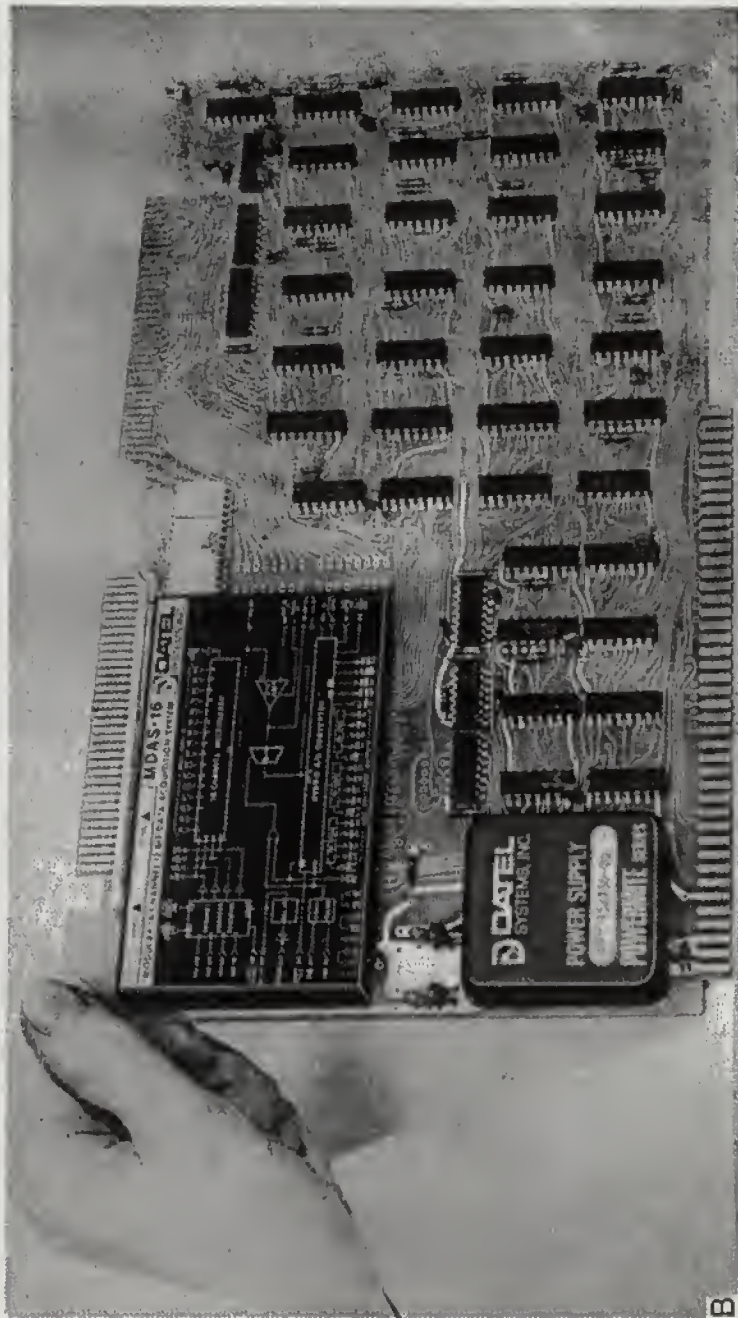
The MDAS-8 and MDAS-16 modules are housed in a painted, black steel, shielded case, and have a 72-pin connector along one edge so that they can be installed on a PC board.

Both Burr-Brown and Datel models can be mounted on one of the universal prototyping boards that are compatible with your microcomputer. Digital Group makes their own board available, while Vector Electronics and others make the S-100 prototyping cards available. This construction technique allows building a data acquisition system that plugs into your mainframe mother board.

Where the computer mother board is filled, or there are other compelling reasons not to use the above method, then build the data acquisition system in a prefabricated cabinet or rack-mounted chassis and panel combination.



A



B

Fig. 15-4. Two different specialized data acquisition systems by Dadel (Courtesy of Dadel Systems, Inc.)

**Figure 15-4 shows the type of specialized PC data acquisition system available from Datal. Although intended to be plugged into the mainframe of a specific computer, they can often be adapted for other models by appropriate consideration of the circuitry and clever design.**

## Chapter 16

# Readout & Display Devices

---

The hobby computerist ordinarily uses a video display to read data out to the operator. In other cases, though, some other means is more appropriate, or may be required. Where the computer is an integral part of another instrument, for example, we may require either a simple digital display or an analog recorder as the output device.

Hard copy can be produced by any of several devices, but perhaps the lowest in cost is the government or commercial surplus Teletype machine. These devices date back to World War II and before, and are often available at low cost. One must be cautioned, though, that the price of even old clunkers is rising as amateur computerists find them and place them back into service. Once, only a minority group in amateur radio were interested in these machines, and certain older models sold for as little as \$25 in relatively good condition. Today, however, prices are several times that amount for what is actually little more than junk.

The older Models 15 and 28 are usually encoded in one version or another of Baudot code, while newer Model 33-series machines may well be encoded in ASCII.

All Teletypes, however, use serial transmission of the code bits in either a 20-milliampere (recent) or 60-milliampere current loop.

The signal terminal board for the Model 33 contains eight screw terminals, labeled 1 through 8, left to right. Their terminal functions are:

| PIN | FUNCTION      |
|-----|---------------|
| 1   | 110 volts AC  |
| 2   | 110 volts AC  |
| 3   | Send minus    |
| 4   | Send plus     |
| 5   | Receive minus |
| 6   | Receive plus  |
| 7   | —             |
| 8   | —             |

Although it has become standard, if somewhat sloppy, practice to call all teletypewriters by the generic "Teletype," that word is properly applied only to products of The Teletype Corporation, 5556 Touhey Avenue, Skokie, IL 60076, of which the word Teletype is a registered trademark.

The IBM Selectric electric typewriter is available in a solenoid-controlled model that is used in computer printout service. These machines use their own Selectric correspondence code, rather than either ASCII or Baudot.

There are also a lot of other teletypewriter computer terminals manufactured by Olivetti, Digital Equipment Corporation, and others but their costs are usually too high for amateur use and they have not been around sufficiently long for any significant number to have shown up on the surplus market. Within a few years, however, you can expect to see some of the better printers and typewriter terminals available used at good prices.

Figure 16-1 shows a low cost alphanumeric printer manufactured by Datel especially for the microcomputer applications market. The cost of the Datel AIP-40 is around \$600. This printer recognizes the bit patterns for 96 ASCII characters and prints them out using a standard 5 × 7 dot matrix in a 40-column format at a rate of 50 characters per second. Note that this rate is considerably faster than any of the teletypewriters.

Various input electronics options are available and allow use of the printer with a variety of instrumentation and computer based devices. Direct microcomputer computer compatibility is provided



Fig. 16-1: Datal Model AIP-40 alpha-numeric printer. (Courtesy of Datal System, Inc.)

by an eight-bit parallel interface. Also available are serial interfaces in either RS-232C or 20-milliampere teletypewritten current-loop formats. The serial data transmission options include the standard speeds from 110 baud to 9600 baud, and there is on-board buffer memory for either 120 or 200 characters.

Another printer is the Digital Group (P. O. Box 6528, Denver, CO 80206) model shown in Fig. 16-2. This printer is made to go with their popular Z-80 computer system, but can be adapted to other systems.

## NUMERICAL DISPLAYS

The digital computer produces binary outputs, usually in an eight-bit format. The same type of seven-segment display used in frequency counters and other noncomputer digital instruments can also be used as an output for the computer if a suitable means for converting the eight-bit data at the output into binary coded decimal (BCD) format is provided.

An alternative approach is to design a hardware circuit that will accept eight-bit binary and convert it into BCD.



## **ANALOG OUTPUTS**

A digital-to-analog converter can be used to convert the eight-bit binary output of a microcomputer to a proportional voltage or current level. The availability of low-cost eight-bit D/A converters in integrated circuit form makes this approach even more appealing, but more about that is found in Chapters 10 and 12.

Although not strictly intended for computer interface service, the digital panel meter (DPM) coupled with a voltage output D/A converter can make a very effective readout device. An example of the digital panel meter is shown in Fig. 16-3. The upper unit is a 3½-digit numerical display DPM, while the lower unit is a companion BCD-format numerical printer; both units are by Datel. Most digital panel meters are offered in models that cover either 0 to 1.999 volts (most common) or 0 to 19.99 volts. Many DPMs have a feature that allows the user to reposition the decimal point, or eliminate it altogether. This ability allows you to conform to the numerics of the units being measured. A pressure monitor, for example, might use 0 to 1 volt to represent pressures from 0 to 100 torr. A 0- to 1999-millivolt digital panel meter would read *.500* at, for example, a pressure of 50 torr. By repositioning the decimal point we could make the display read *50.0* when a 500-millivolt input (representing 50 torr) is applied.

Chart recorders are probably the most common and popular of all analog readout instruments. The reason is that they can be used to provide a hard-copy readout in graphical form. An obvious advantage is that humans are more used to interpreting graphics than columns of numbers.

Drum recorders are built with a cylindrical paper carrier, most of which are designed to accept the standard engineering and scientific graph paper sizes. To some users this is an advantage in its own right.

Most drum recorders are of the incremental type. The horizontal axis is controlled by the stepwise rotation of the drum paper carrier. A stepper motor is pulsed by an electronic time base circuit so that the chart rotates in a precisely controlled manner.

A pen is mounted on an assembly that sweeps the vertical axis, again in a stepwise manner. The size of the step will depend upon the

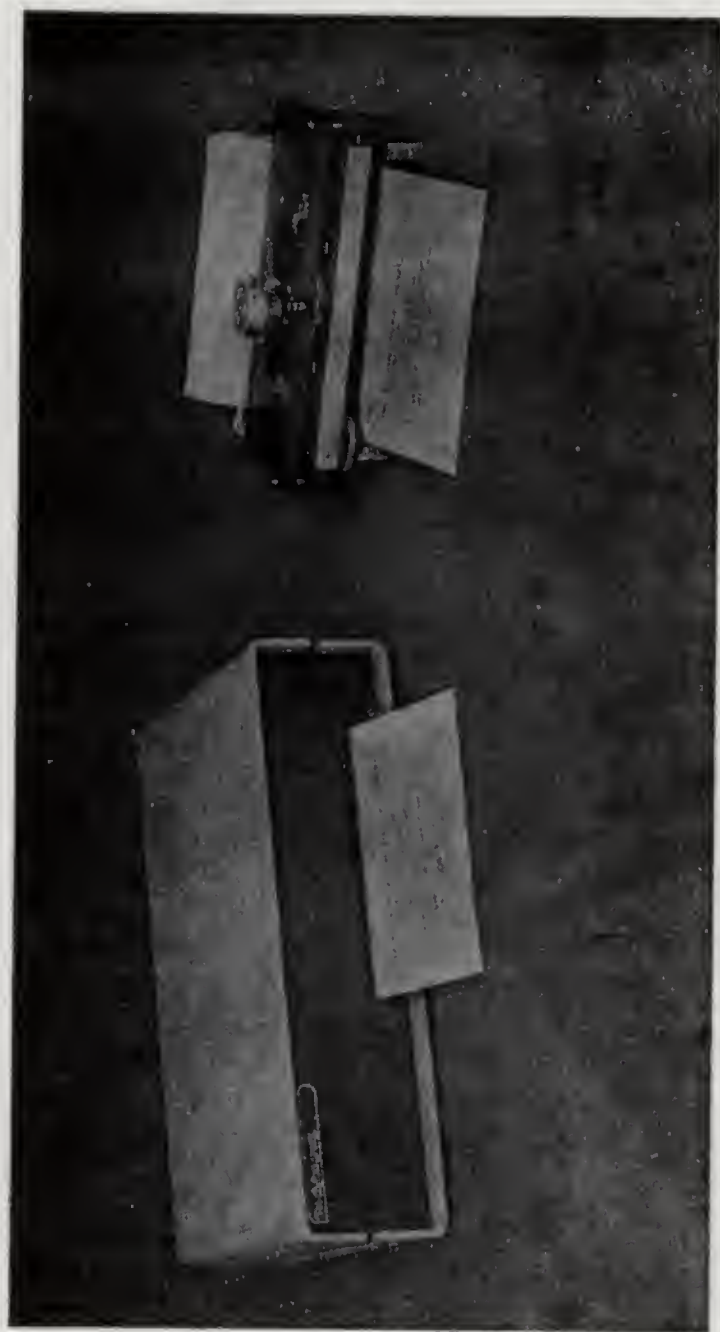


Fig. 16-2. Line printer by The Digital Group. (Courtesy of The Digital Group, Inc.)

digital word at the vertical input. Drum recorders are available which produce small enough increments (i.e., 0.01 inch or 0.25 mm) to create graphs that appear continuous.

A related, but different, type of recorder is the strip-chart recorder. This type of machine will produce a graphical display on a continuous strip of paper stored in either roll or Z-fold form.

Strip-chart recorders make use of several techniques for writing the analog waveform onto the paper. These include both galvanometer and servomechanism systems, and such writing media as thermal, ink jet, ink pen, and several varieties of optical recording.

The three basic systems for positioning the analog waveform along the vertical axis include the stepping motor just described, permanent magnet galvanometers, and servo-control methods.

The permanent magnet moving coil (PMMC) galvanometer is a mechanism that very nearly resembles the classical D'Arsonval analog meter movement, except that a pen is used instead of a pointer. A moving coil bobbin is positioned in the field of a large permanent magnet, and is electrically connected to the input signal. When no signal currents flow in the coil, the pointer (i.e., writing stylus) is at a rest, or equilibrium, position. A signal current flowing in the coil will create a magnetic field that opposes or aids the magnetic field of the permanent magnet, depending on the current's polarity. The deflection of the coil bobbin is proportional to the strength of the signal current, so the deflection of the stylus is also proportional to the signal amplitude.

In the servo system type of recorder, there is a transducer, either a potentiometer or AC motor, that produces a pen position signal. This signal is compared with the input signal being recorded, and an error signal is established; this signal drives a pen motor in such a manner that the error signal is cancelled to zero. A pen is ganged to the pen motor, so accurately follows the input signal waveform.

The actual writing process can take several forms. For narrow strip charts, such as the common medical electrocardiograph machine (see *Servicing Medical & Bioelectronic Equipment* by Joseph J. Carr, TAB BOOKS Cat. No. 930), we find thermal record-



Fig. 16-3. Numeric printer for digital panel meter readouts. (Courtesy of Datal Systems, Inc.)

ing as the predominant method. The paper, usually 50 mm wide single or 100 mm wide dual-channel paper, is treated with paraffin. The writing stylus has a heated tip, so a black mark is made on the paper wherever the tip touches the paper.

Some recorders, in both wide and narrow chart versions, use actual ink pens. Some wide chart recorders use a disposable felt tip, or a refillable reservoir type of cartridge. At least one model asks the user to obtain an ordinary cartridge type fountain pen (see Fig. 16-4). Most narrow paper strip-chart recorders (i.e., those similar to the medical EKG machine) using ink pen galvanometers have a hollow stylus pen connected to an ink reservoir through a thin, hollow, capillary tube.

The frequency response of any pen type of writer is limited by the mechanical inertia of the pen assembly. High-frequency limits for such devices are usually in the 100- to 200-hertz region, and certainly under 500 hertz. The recording of frequency components out to several kilohertz requires other means, all but one being optical techniques.

The one mechanical method is the high-velocity ink jet PMMC galvanometer. A nozzle is mounted to the PMMC bobbin, and this nozzle is connected to a high-pressure ink reservoir. Ink is sprayed onto the paper at high velocity. The low-viscosity ink is designed to dry rapidly, so little splatter takes place.

The primary advantage of the high-velocity ink jet system is that the nozzle can be made very light weight, so there is less inertia to slow down the frequency response.

The main optical methods are the Polaroid oscilloscope camera, a slower oscilloscope camera for strip-chart recording, and the mirror galvanometer.

The majority of oscilloscopes above the hobbyist or service grade can be equipped with a special Polaroid camera to photograph waveforms. A high-speed film (i.e., Polaroid Type 107 with an ASA rating of 3000) is used to make the images. Where an expensive camera for a particular model is not available, or where the cost is prohibitive, it might be wise to settle for the hand-held Polaroid Model CR-9 oscilloscope camera. A variety of light-tight hoods are available that adapt the CR-9 to almost any standard oscilloscope.

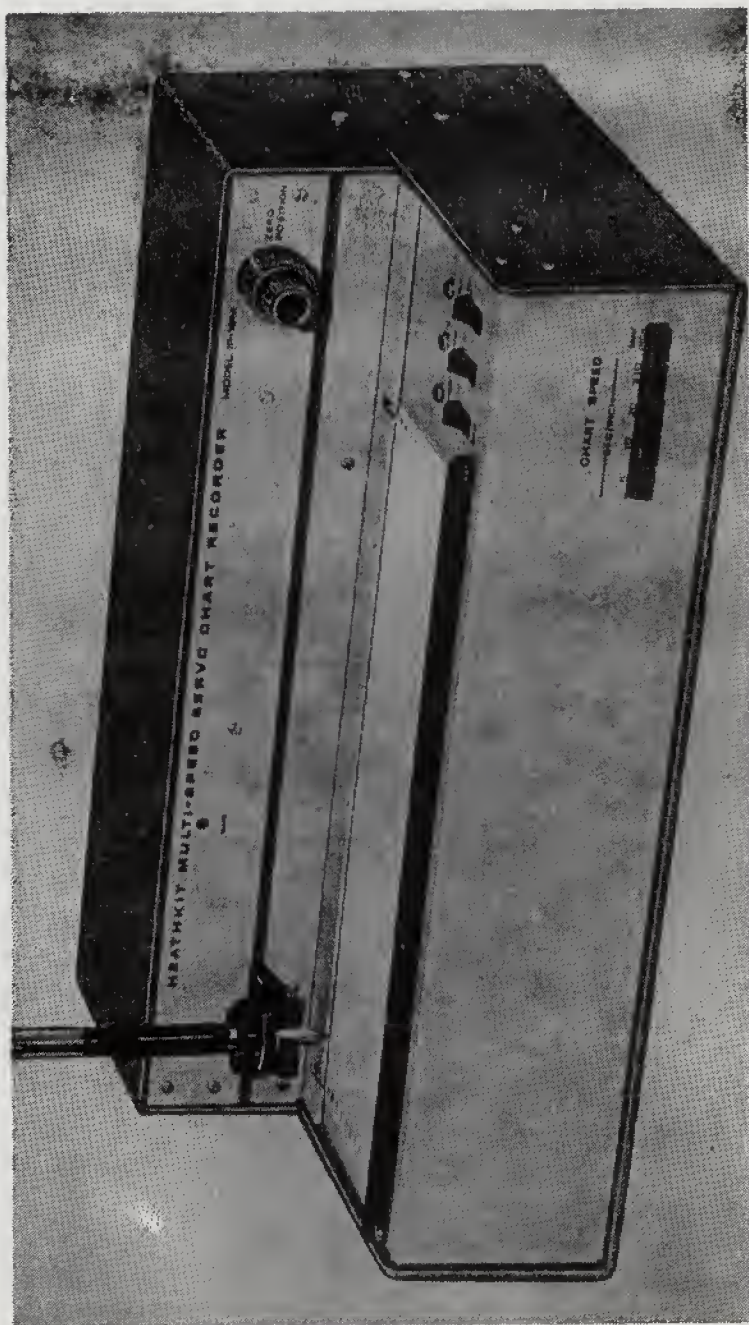


Fig. 16-4. Low-cost strip-chart recorder. (Courtesy of the Heath Co.)

Another type of oscilloscope camera is the CRO-based system used by Electronics-for-Medicine (E-for-M) in their series of physiological monitoring equipment. In their system a sheet of photosensitive paper is passed over a cathode-ray tube screen that displays the waveform of interest. The paper will fade somewhat if not developed properly or stored in a light-tight box. This system is capable of providing very good frequency response, limited only by the writing speed of the paper (the CRT, of course, is capable of a lot higher speed than the paper).

The last class of optical recorders which we will consider is the mirror galvanometer. This system uses a PMMC galvanometer with a light-weight mirror mounted on the bobbin instead of a heavy pen assembly. A thin light beam is directed at the mirror, which reflects the beam onto the surface of the photosensitive paper. If an input signal perturbs the bobbin, the mirror deflects the light beam across the paper an amount proportional to the amplitude of the signal. Like the CRO method the paper can be dry developed in an ultraviolet light, or wet developed for more permanence.

## **SOME ACTUAL PRODUCTS**

A low-cost servo-type strip-chart recorder is shown in Fig. 16-4. This machine is the Heath Model IR-18M, and is unique in that it is available in both assembled and kit (you assemble) versions. Having built one of these I can attest to the ease of construction. All but the most mechanically inept should be able to successfully follow the unusually well-written instructions in the assembly manual.

The pen in this model is an ordinary cartridge type fountain pen, although I have found that many of the felt type of pens will work at least as well.

Chart speeds can be selected over the range of 5 inches per minute to over 200 inches per minute, through judicious selection of chart speed push-buttons. The paper is sprocket driven from a stepper motor that is controlled by a digital speed circuit.

A related, but somewhat more sophisticated, model also by Heath (but not in kit form) is the two-channel strip-chart recorder shown in Fig. 16-5. This instrument is the Heath Model SR-206. It is



Fig. 16-5. Professional two-channel strip-chart recorder. (Courtesy of Heath Co.)



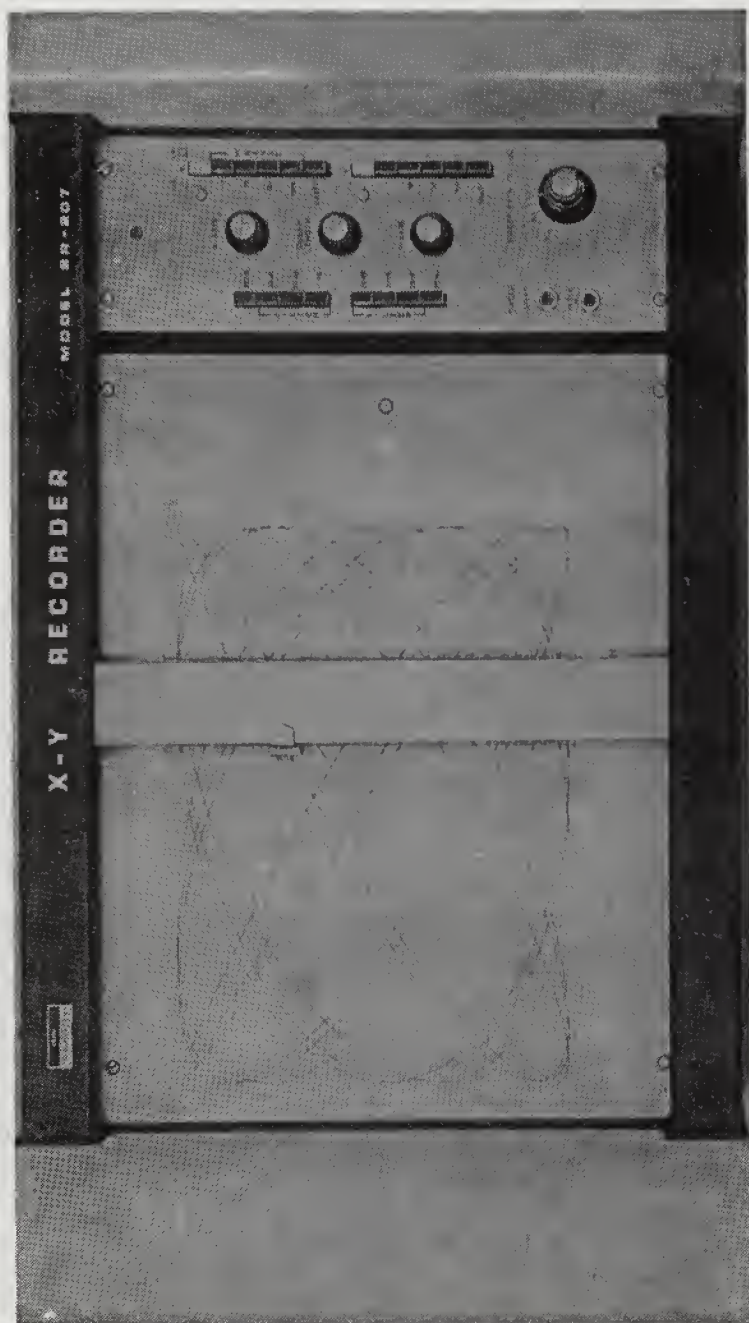


Fig. 16-6. X-Y recorder uses regular graph paper. (Courtesy of the Heath Co.)

similar to the IR-18M in basic function, but boasts considerably greater versatility due to added features.

Up until now all of our examples and discussions have concentrated on recorders that assume that the variable being recorded is time dependent. A motor is used to drag the paper under the writing pen, automatically creating a time base on the  $X$ -axis which has an accuracy equal to that of the paper speed. Although the CRO optical methods are sometimes used for recording of nontime-dependent variables, it is usual to use an  $X$ - $Y$  recorder for such work.

The Heath Model SR-207  $X$ - $Y$  recorder is shown in Fig. 16-6. This type of instrument will record on standard sizes of graph paper, so the display format is especially useful for human interpretation.

The write pen is fastened to a vertical bar. The  $Y$ -amplifier drives the pen up and down the bar, while the  $X$ -amplifier drives the bar left and right along the paper's horizontal edge. If a  $Y$ -time (instead of  $Y$ - $X$ ) display is required, then it is merely a matter of connecting a ramp function voltage to the  $X$ -input. If the slope of the ramp is precisely known, then a time base is created. The ramp amplitude must be adjusted so that the bar is driven all the way to the right after precisely the time selected for the full scale  $X$ -value.



## Chapter 17

# Serial Data Transmission

---

It is often the case that data originated at one location must be transmitted to another location before it can be used. Some instrument, transducer, or other sensor at a remote location, for example, might send data to a computer or other digital processor at another location.

Technical difficulties preclude sending analog voltages or currents over the lines. Unless the analog source and the computer are located relatively close to each other problems will interfere with the data. An analog-to-digital converter should be located as close to the analog source as possible.

If an eight-bit data format were determined, so that it would be compatible with microprocessors, then a parallel data communications system will require not less than eight parallel lines, and some popular schemes would require even more. Across the room, or even down the hall, this is not too terrible, but when you connect to public common carrier lines such as the telephone, Telex, or Western Union the cost of eight parallel channels would be prohibitively high. It would also represent a serious waste of resources that might be better spent elsewhere.

The same situation obtains when connecting a remote CRT terminal or teletypewriter to the main or central computer, or when setting up a communications network that would allow two or more

computers to talk to each other. The cost and lack of practicality of using a *parallel* data transmission format makes the *serial* mode of transmission a very attractive alternative.

## THE TELEPHONE SYSTEM

Most serial data transmission takes place over the telephone lines. In this chapter we will assume that your application will require such a system, although the same techniques would also suffice if you used radio telemetry or twisted-pair local wire connections. The most important thing is the interfacing techniques.

The United States telephone system consists of wire cables, coaxial cables, microwave relays, and satellite links. In most ordinary channels that you can access from an ordinary residential or business telephone receiver, the bandwidth of the system is limited to the range 300 to 3000 hertz. This limitation sets the maximum data transmission rate and constrains us to using audio representations for data states that fall inside of these limits.

Sound level on the telephone system is measured in a decibel scale called *volume units* (VU), which is defined using the power decibel equation  $VU = 10 \log_{10} (P_1/P_2)$ . The term dBm refers to a standardized system in which the zero-VU value is defined as 1 milliwatt of audio power dissipated in a 600-ohm load at 1000 hertz. The originating source is expected to create a sound level on the line of approximately  $-5$  VU, while the receiver must be prepared to accept signals between  $-45$  VU and  $-10$  VU.

In data communications the high and low logic conditions (i.e., *one* and *zero*) cannot be connected directly to the telephone system, but first must be converted to audio tones that fall inside of the 300 to 3000 hertz band pass of the telephone system. This same trick must also be applied when transmitting by radio or tape recording the data signal.

There are two ways to apply the audio tones representing data states to the telephone system, direct and acoustical coupling. Both have their own respective advantages and disadvantages, so both will be considered here.

The telephone companies are understandably concerned about people connecting devices to their system over which they have no

control. It is important to keep the sound level on the line within specifications, and to prevent DC from getting on the line; both situations can cause service problems and equipment damage.

Until recently, only local telephone company policy, which was often very conservative, determined whether or not an individual could interconnect a foreign attachment to telephone-company-owned lines. Amateur (ham) radio operators often connected their phone patches so that they could perform public service chores for distant amateurs, servicemen overseas, etc. These phone patches sometimes had the blessing of the phone company because of the public service not-for-money angle, while in other cases the amateurs would elect to ignore the phone company. They could get away with this so long as they kept a low profile and their equipment was of such a design that it did not draw attention to itself.

More recently, the Federal Communications Commission (FCC) and the U.S. Courts have allowed certain foreign attachments without the blessing of the phone company. Perhaps the first really important case in this area was the now famous *Carterfone* decision. Interconnection is still considered a gray area, however, in that the telephone company (as of this writing) can still require you to rent a device called a *voice coupler*. These are little gray boxes, connected between your equipment and the telephone line, containing two capacitors (one for each wire) and a voltage dependent resistor (VDR) across the lines on the subscriber side. The VDR limits the audio level so that you don't overdrive the lines.

Even more recent decisions allow commercially made equipment that is certified to comply with phone company technical specifications, to interconnect without a voice coupler. But amateur and hobbyist equipment, as well as laboratory instruments or commercial equipment not so-certified, can be required to interconnect through a voice coupler or other telephone company specified device.

Perhaps the easiest way to perform a direct interconnect is to use an amateur radio phone patch device. The Heath Company (Benton Harbor, MI 49022) offers a quality device in kit form that is popular among ham operators. Or alternatively, you may wish to

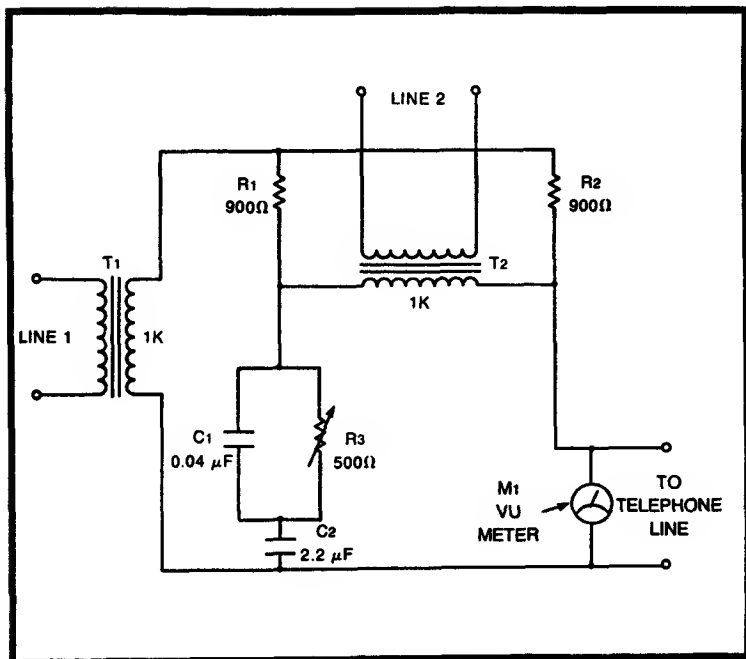


Fig. 17-1. Phone patch circuit.

construct your own hybrid phone patch from the ground up (no pun intended).

The circuit in Fig. 17-1 is representative of a large class of published circuits. It is essentially a Wheatstone bridge. If only a single receiver or transmitter device is required, then only a single transformer would be required. This circuit allows the parallel connection of two devices.

An alternate form is shown in Fig. 17-2. A single transformer is used to match two devices to the line. The secondary of the transformer should be 1000 ohms, while the primary should match (as best it can) the two devices connected to lines 1 and 2.

Switch  $S_1$  can be a mechanical switch if the application allows slow hand selection of the channel. But a CMOS or other electronic switch should be selected if the switching speed is somewhat faster, or if it is desired to switch lines under more automatic control. The latter is considered more elegant, but the former is simple and has one engaging aspect: it is cheap.

An *acoustical coupler* is the method for connecting to the telephone lines most often employed in slow-to-moderate speed data communications systems. Figure 17-3 diagrams the basic type of acoustical coupler. A microphone is placed against the telephone earpiece to pick up incoming signals, while a small loudspeaker is placed against the telephone mouthpiece to send tones to the line.

Commercial acoustical couplers use large rubber cups to house the microphone and loudspeaker. These cups are constructed such that a standard telephone handset will fit snugly, sealing out extraneous room noises.

Although usually quite costly (the cost has dropped markedly in the past few years) when purchased new on the open market, the data communications industry is now old enough that acoustical couplers and other hardware is appearing on the surplus scene. Additionally, it is noted that various suppliers used by electronic hobbyists (i.e., Radio Shack and Lafayette) have offered telephone room amplifiers that are fitted with the same type of rubber cups. Some have only the microphone cup, while others have both. In one model there was a loudspeaker cup and a dummy cup where the

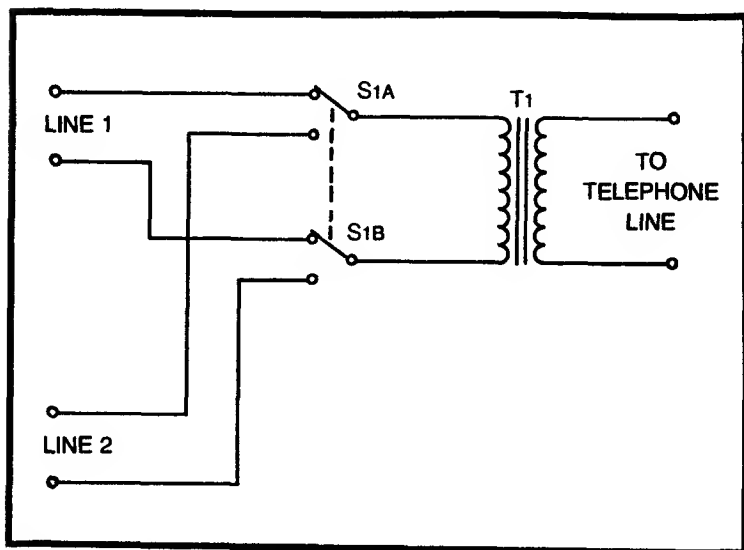


Fig. 17-2. Simple half-duplex telephone connection.



microphone would go. It is a simple matter to modify this type of device to permit the construction of a telephone pickup unit.

There are three types of communications circuits, as classified by direction of transmission: simplex, half-duplex, and full duplex. These are different from each other in the manner in which data is passed over the circuit.

There are actually two meanings for the word simplex. One definition maintains that a simplex network is one that can pass only a single message at a time. But more commonly accepted in data communications is the definition that maintains that a simplex circuit is a one-way circuit. A transmitter will be located on one end of the circuit and a compatible receiver is at the other.

A duplex channel allows messages to pass in both directions at once; a feat ordinarily requiring two pairs of wires, two separate radio frequencies, or a multiplexing scheme.

The half-duplex channel also allows two-way message traffic, but only in one direction at a time. The circuit of Fig. 17-2 could be a half-duplex system if one line were connected to a receiver and the other to a transmitter. The position of switch  $S_1$  would then determine the direction of transmission.

Two common problems associated with communications networks such as the telephone system are crosstalk and echo. These can be troublesome in a data communications system.

Crosstalk exists when signals from one channel show up on another channel. Wire communications systems often have bundled pairs of wires handling many channels. There can be, for example, as many as 900 pairs of wires, each handling a channel, bundled together in a single cable that is less than 3 inches in diameter.

Crosstalk occurs as a result of induction between two or more of the wire pairs. The amount of crosstalk varies as the signal strength of the offending line and the length of the run over which the two lines are parallel to each other.

Echo is the reflection of a signal back to the source due to circuit anomalies, much after the manner of the reflected waves (i.e., SWR) on a ham or CB antenna system. Telecommunications networks use echo suppression equipment to eliminate this problem. The suppression works similarly to a VOX circuit on a ham transmit-

ter. When a person begins to speak, the return path is short circuited. When the party on the other end of the line begins to speak, then the echo suppressor is disengaged (within 10 milliseconds). This results in several interesting phenomena that have implications in data communications networks.

You may, for example, notice on long-distance calls that the line noise (i.e., hiss) stops almost immediately after you begin speaking. If the other party begins speaking too soon after you stop, or if the echo suppressor hangs on the line too long, then the first syllable spoken by the other party may be clipped off, causing you to ask for a repeat. In a data communications system this could cause the loss of several data bits, especially if the data transmission rate is high.

It is, however, possible to disable the echo suppressors by applying a 2025-hertz tone burst of at least 300 milliseconds duration to the line during periods when no data is being transmitted (or by using 2025 hertz as one of your data tones). Any interval of 100 milliseconds or longer in which the disabling tone is interrupted will reactivate the echo suppression equipment.

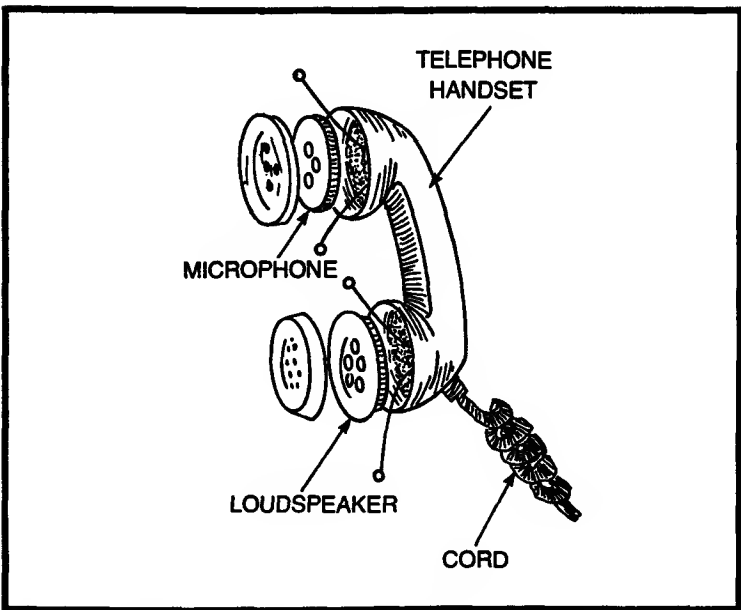


Fig. 17-3. Acoustical coupling to phone system.

The rate at which data is transmitted over a channel is called the *baud rate*, although the use of the word rate is redundant because baud is a rate. The baud rate is usually defined in terms of bits per second or the reciprocal of the time in seconds required for the shortest bit used in creating the data word.

## THE UART

Until recently the design of serial data network equipment was rather difficult and was considered a chore best suited to clever digital design engineers. But today we have a specialized class of LSI chips that will do the job for us: universal asynchronous receiver-transmitters, or UARTs.

Synchronous transmission requires that the clocks at both ends of the circuit track together because data is sent at precise times. One authority claims that the respective baud rates must be within  $\pm 0.01\%$  of each other. This requirement adds complexity and cost. Asynchronous transmission sends the data in a steady stream, so is a lot more flexible than synchronous systems.

Figure 17-4 shows the block diagram to the standard Western Digital (3128 Red Hill Avenue, P.O. Box 2180, Newport Beach, CA 92663) TR1602A/B UART. This device is essentially the same as more common, but now considered obsolete, devices such as the AY-1013. It is capable of either full-duplex or half-duplex operation because the receiver and transmitter circuits are totally independent except for the power supply connections.

The UART chip is particularly useful, earning its nickname universal, because it can be externally programmed for word length, baud rate, parity (odd-even, receiver verification, transmitter generation), parity inhibit, and stop bit length (i.e., 1, 1.5, or 2 stop bits). It also provides six different status flags: transmission completed, buffer register transfer completed, received data available, parity error, framing error, and overrun error.

The clock speed is up to 320 kHz for A and B versions, 480 kHz for A03/B03 versions, 640 kHz for A04/B04 versions, and 800 kHz for A05/B05 versions. The receiver output lines are tri-state logic (high impedance when inactive), so can be directly connected to a data bus in a computer or other digital instrument.

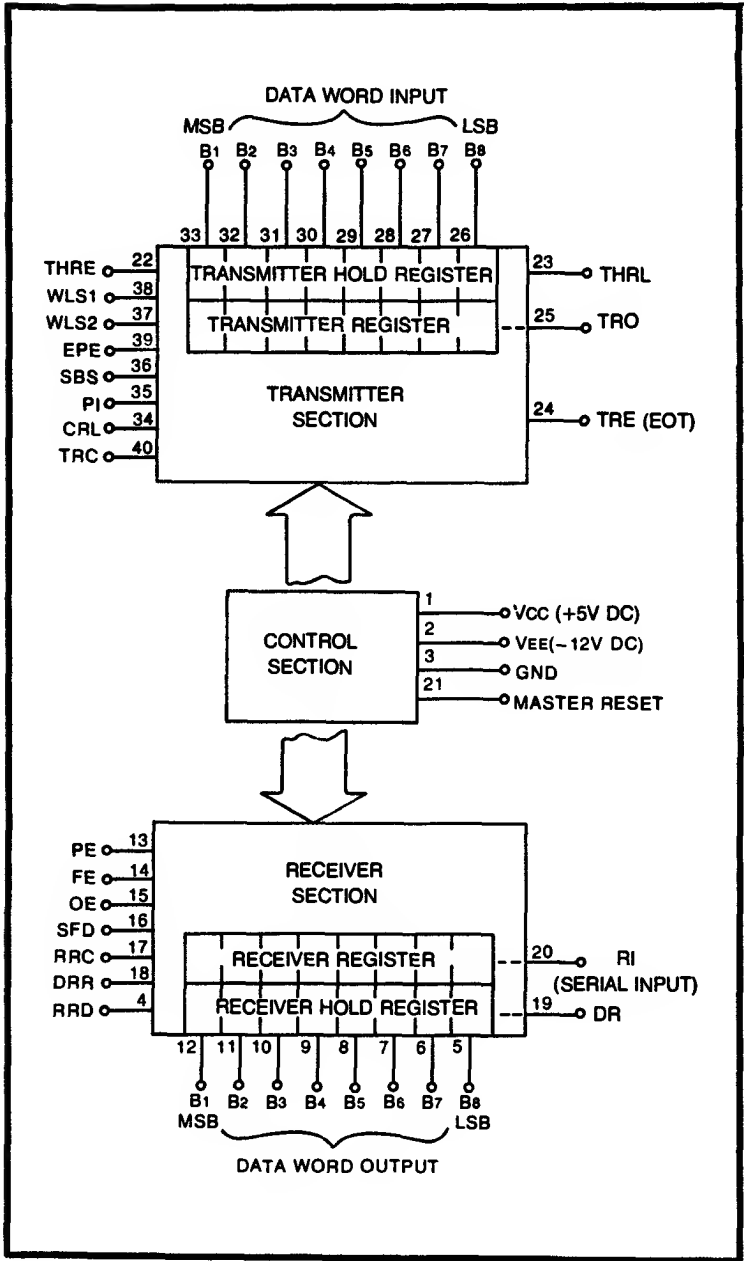


Fig. 17-4. Block diagram to a universal asynchronous receiver/transmitter (UART).

**Table 17-1. Compatible UARTs.**

|                               |                        |                   |
|-------------------------------|------------------------|-------------------|
| S1883<br>AY-5-1013<br>AY-1014 | 2536<br>2502<br>TR1602 | TMS6012<br>—<br>— |
|-------------------------------|------------------------|-------------------|

The transmitter section has an eight-bit input register that accepts data from a keyboard, computer output port, A/D converter, or any other similar data source. It will convert these to a serial output word that contains the eight-bit input word plus start, parity, and stop bits.

The receiver is conceptually the mirror image of the transmitter. It receives a serial input word containing start bits, data, parity, and stop bits. This data is converted to a parallel eight-bit output word; the transmission is checked for validity by comparison with parity and for the existence of stop bits.

The UART data format is shown in Fig. 17-5. The transmitter serial output (pin 25) or receiver serial input (pin 20) will be at a high level (i.e., logic 1) unless data is being transmitted or received, respectively. Start bit  $B_0$  is always low, and tells the system that a data transmission is about to take place. Bits  $B_1$  through  $B_8$  are the data bits loaded into the transmitter on the sending end. All eight bits of the maximum word length format are shown in the figure. Unused bits in shorter formats are ignored, with  $B_1$  lost in the 7-bit format, bits  $B_1$  and  $B_2$  for the 6-bit format, and bits  $B_1$  through  $B_3$  are lost in 5-bit operation.

### Example 17-1

Design a serial data transmission system around a TR1602A UART that has the following specifications:

Data rate.....300 baud

Word length....8 bits

Stop bits.....2

Parity.....even

### Solution:

The circuit is shown in Fig. 17-6. The transmitter is shown in Fig. 17-6A, while the receiver is shown in Fig.

17-6B. Some connections are shown in both drawings to enhance clearness.

In both the receive and transmit modes the data rate is 300 baud, so the clock frequency is

$$300 \text{ baud} \times 16 = 4800 \text{ hertz}$$

In most cases it is not wise to use a 555 or any other RC-controlled oscillator as the clock. Most of these circuits are simply not stable enough. The ability of the UART to function depends in part upon the accuracy of the clock at both ends of the system. The only time where the clock loses its importance is in the case where the transmitter and receiver sections of the same chip form a closed-loop communications system.

It is suggested that a crystal oscillator be used as the clock, with a binary counter following the oscillator to reduce the frequency to the required 4800 hertz. One solution would be a string of counters such as the 7490, but a better solution is the single-chip circuit of Fig. 17-6C. This circuit uses a CMOS baud-rate-generator chip and a crystal to achieve the needed frequency.

The required eight bit word length is set by applying the correct code to WLS<sub>1</sub> and WLS<sub>2</sub> (i.e., pins 37 and 38). By the chart given earlier we know to set both pins to a high logical condition. This programs the UART receiver and transmitter to the eight-bit word length.

Similarly, a two-bit stop code is provided by connecting SBS (i.e., pin 36) high, and even parity is selected by setting EPE (pin 39) high.

In the transmitter part of the circuit (Fig. 17-6A) only the eight-bit data input, clock, and serial output are necessary.

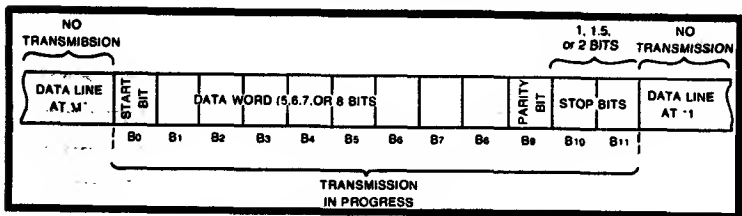


Fig. 17-5. Output word produced by UART.

The TRE, THRE, and THRL signals are status flags, and are optional. They can be used if the information they convey is needed elsewhere in the circuit. Review the meanings of these flags to determine whether or not they would be useful in your case.

A similar situation exists in the receiver section. Only the clock, serial input, and eight-bit parallel output are needed in this simplified example, but optional DR, OE, FE, and PE flags are available should they be needed.

Notice that the inverter from the *data received* terminal (pin 19) resets the DRR terminal (pin 18), telling it to be ready for the next character.

One of the appealing things about the LSI UART chip is that its two sections can be used either separately or together as required by the application. In a simplex circuit a UART at the originating end would be wired as the transmitter, while another at the receiver end would be wired, naturally, as a receiver.

If half-duplex operation is desired, then both sections are used at both ends, and the status flags can be used to tell the channel which direction to transmit. Full-duplex operation is also possible, but a second channel may be required.

If both send and receive functions are to be programmed to the same specifications, then the control programming pins are hard-wired in place, as shown in Fig. 17-6. But if different specifications are imposed under different situations, then some sort of external controls are needed. One alternative is to connect the programming pins to a computer output port and the status flags to an input port. This would allow specification changes under program control.

## **RS-232 SYSTEMS**

One term that you will hear bandied about in the data communications field is RS-232 interface. This refers to the Electronic Industries Association (EIA) RS-232 standard for serial data transmission systems. Modems, CRT terminals, and other peripherals are often designs with an RS-232 I/O compatibility.

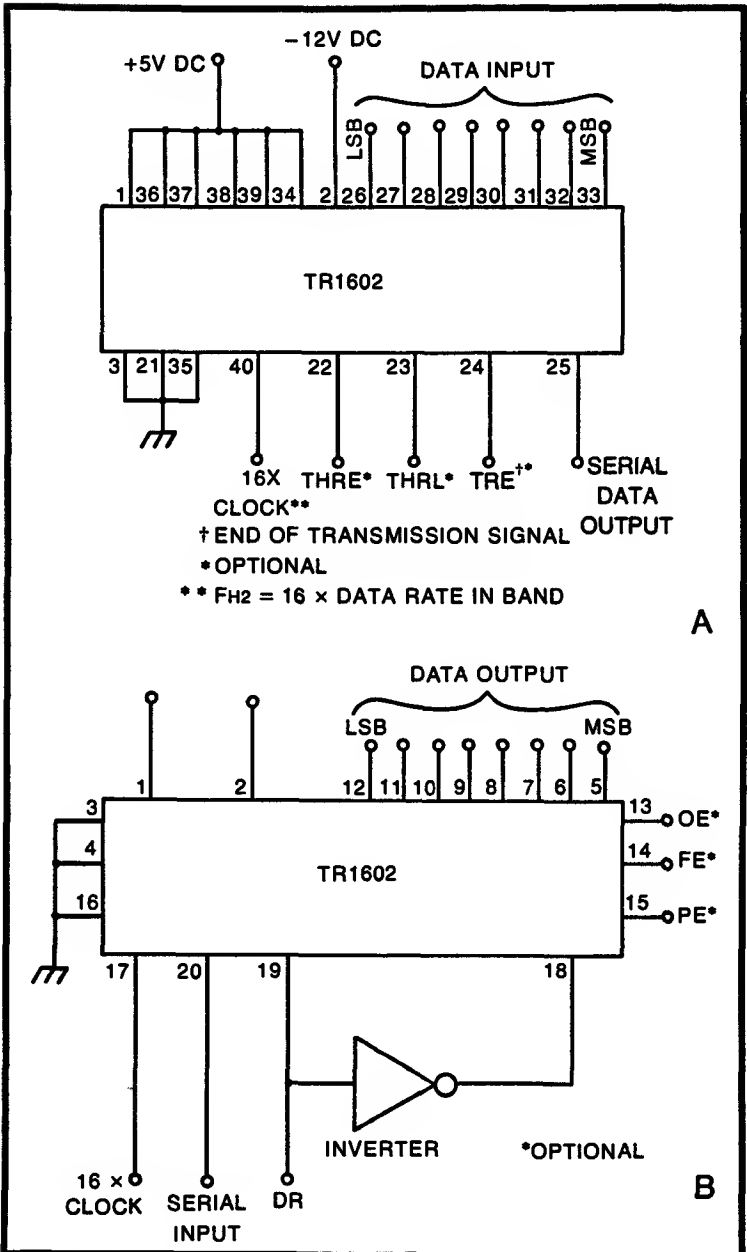


Fig. 17-6. UART circuit. (A) UART transmitter connections. (B) UART receiver connections. (C) CMOS baud-rate generator for use with UART. (Continued on next page.)



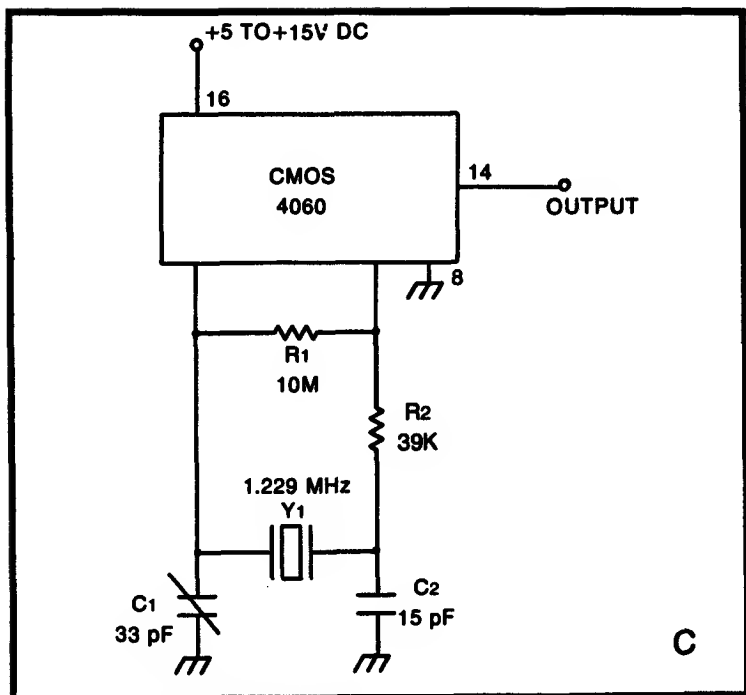


Fig. 17-6. (Continued from previous page.)

The RS-232 standard is an older set of specifications, and it predates even TTL integrated circuit technology. Because of this situation, the voltage levels that represent logic 1 and logic 0 in the RS-232 standard appear a little difficult to handle. The voltage levels and the load impedances are fixed by the standard so that many different devices from an awfully large number of manufacturers can be connected together with at least some small hope that they will operate together. Because of the old voltage levels, however, some translation is required.

Figure 17-7 shows the standard RS-232 voltage levels. Note that there are actually two versions shown, RS-232B and RS-232C. The B-version is older, and uses a wider spread between the voltages representing the two different logic states. These limits were tightened up in the C-version, presumably to speed things up. In any given circuit it takes longer to make a -15- to +15-volt transition than it does to make a -5- to +5-volt transition.

**Table 17-2. UART Pin Functions.**

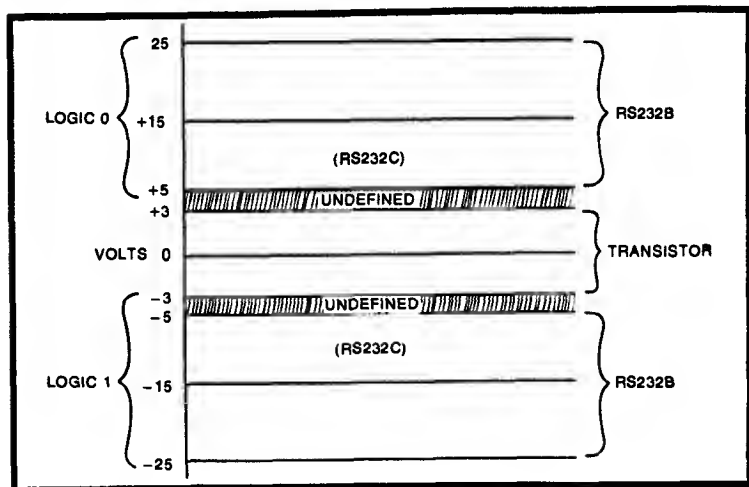
| Pin No. | Mnemonic        | Function  |
|---------|-----------------|---|
| 1       | VCC             | +5 volts DC power supply.   |
| 2       | VEE             | -12 volts DC power supply.  |
| 3       | GND             | Ground.   |
| 4       | RRD             | Receiver Register Disconnect. A high on this pin disconnects (i.e., places at high impedance) the receiver data output pins (5 through 12). A low on this pin connects the receiver data output lines to output pins 5 through 12.  |
| 5       | RB <sub>8</sub> | LSB<br>} Receiver data output lines<br>MSB  |
| 6       | RB <sub>7</sub> |   |
| 7       | RB <sub>6</sub> |   |
| 8       | RB <sub>5</sub> |   |
| 9       | RB <sub>4</sub> |   |
| 10      | RB <sub>3</sub> |   |
| 11      | RB <sub>2</sub> |   |
| 12      | RB <sub>1</sub> |   |
| 13      | PE              | Parity error. A high on this pin indicates that the parity of the received data does not match the parity programmed at pin 39.   |
| 14      | FE              | Framing Error. A high on this line indicates that no valid stop bits were received.   |
| 15      | OE              | Overrun Error. A high on this pin indicates that an overrun condition has occurred, which is defined as not having the DR flag (pin 19) reset before the next character is received by the internal receiver holding register.  |
| 16      | SFD             | Status Flag Disconnect. A high on this pin will disconnect (i.e., set to high impedance) the PE, FE, OE, DR, and THRE status flags. This feature allows the status flags from several UARTs to be bus-connected together.   |
| 17      | RRC             | 16 × Receiver Clock. A clock signal is applied to this pin, and should have a frequency that is 16 times the desired baud rate (i.e., for 110 baud standard it is 16 × 110 baud, or 1760 hertz).  |
| 18      | DRR             | Data Receive Reset. Bringing this line low resets the data received (DR, pin 19) flag.  |
| 19      | DR              | Data Received. A high on this pin indicates that the entire character is received, and is in the receiver holding register.   |
| 20      | RI              | Receiver Serial Input. All serial input data bits are applied to this pin. Pin 20 must be forced high when no data is being received.   |
| 21      | MR              | Master Reset. A short pulse (i.e., a strobe pulse) applied to this pin will reset (i.e., force low) both receiver and transmitter registers, as well as the FE, OE, PE, and DRR flags. It also sets the TRO, THRE, and TRE flags (i.e., makes them high).   |
| 22      | THRE            | Transmitter Holding Register Empty. A high on this pin means that the data in the transmitter input buffer has been transferred to the transmitter register, and allows a new character to be loaded.   |
| 23      | THRL            | Transmitter Holding Register Load. A low applied to this pin enters the word applied to TB <sub>1</sub> through TB <sub>8</sub> (pins 26 through 33, respectively) into the transmitter holding register (THR). A positive-going level applied to this pin transfers the contents of the THR into the transmit register (TR), unless the TR is currently sending the previous word. When the transmission is finished the THR→TR transfer will take place automatically even if the pin 25 level transition is completed. |
| 24      | TRE             | Transmit Register Empty. Remains high unless a transmission is taking place, in which case the TRE pin drops low.   |
| 25      | TRO             | Transmitter (Serial) Output. All data and control bits in the transmit register are output on this line. The TRO terminal stays high when no transmission is taking place, so the beginning of a transmission is always indicated by the first negative-going transition of the TRO terminal.   |
| 26      | TB <sub>8</sub> | LSB<br>} Transmitter input word.<br>MSB   |
| 27      | TB <sub>7</sub> |   |
| 28      | TB <sub>6</sub> |   |
| 29      | TB <sub>5</sub> |   |
| 30      | TB <sub>4</sub> |   |
| 31      | TB <sub>3</sub> |   |
| 32      | TB <sub>2</sub> |   |
| 33      | TB <sub>1</sub> |   |

Continued on next page.

**Table 1 -2. (Continued from previous page.)**

| 34  | CRL              | Control Register Load. Can be either wired permanently high, or be strobed with a positive-going pulse. It loads the programmed instructions (i.e., WLS1, WLS2, EPE, PI, and SBS) into the internal control register. Hard wiring of this terminal is preferred if these parameter never change, while switch or program control is preferred if the parameters do occasionally change. |             |      |      |        |     |     |        |      |     |        |     |      |        |      |      |
|---|------------------|---|-------------|------|------|--------|-----|-----|--------|------|-----|--------|-----|------|--------|------|------|
| 35  | PI               | Parity inhibit. A high on this pin disables parity generation/verification functions, and forces PE (pin 13) to a low logic condition.  |             |      |      |        |     |     |        |      |     |        |     |      |        |      |      |
| 36  | SBS              | Stop Bit(s) Select. Programs the number of stop bits that are added to the data word output. A high on SBS causes the UART to send two stop bits if the word length format is 6, 7, or 8 bits, and 1.5 stop bits if the 5-bit teletypewriter format is selected (on pins 37-38). A low on SBS causes the UART to generate only one stop bit.  |             |      |      |        |     |     |        |      |     |        |     |      |        |      |      |
| 37  | WLS1 }<br>WLS2 } | Word Length Select. Selects character length, exclusive of parity bits, according to the rules given in the chart below:  |             |      |      |        |     |     |        |      |     |        |     |      |        |      |      |
| 38  |                  |   |             |      |      |        |     |     |        |      |     |        |     |      |        |      |      |
| <table border="1"> <thead> <tr> <th>Word Length</th> <th>WLS1</th> <th>WLS2</th> </tr> </thead> <tbody> <tr> <td>5 bits</td> <td>low</td> <td>low</td> </tr> <tr> <td>6 bits</td> <td>high</td> <td>low</td> </tr> <tr> <td>7 bits</td> <td>low</td> <td>high</td> </tr> <tr> <td>8 bits</td> <td>high</td> <td>high</td> </tr> </tbody> </table> |                  |   | Word Length | WLS1 | WLS2 | 5 bits | low | low | 6 bits | high | low | 7 bits | low | high | 8 bits | high | high |
| Word Length   | WLS1             | WLS2  |             |      |      |        |     |     |        |      |     |        |     |      |        |      |      |
| 5 bits  | low              | low   |             |      |      |        |     |     |        |      |     |        |     |      |        |      |      |
| 6 bits  | high             | low   |             |      |      |        |     |     |        |      |     |        |     |      |        |      |      |
| 7 bits  | low              | high  |             |      |      |        |     |     |        |      |     |        |     |      |        |      |      |
| 8 bits  | high             | high  |             |      |      |        |     |     |        |      |     |        |     |      |        |      |      |
| 39  | EPE              | Even Parity Enable. A high applied to this line selects even parity, while a low applied to this line selects odd parity.   |             |      |      |        |     |     |        |      |     |        |     |      |        |      |      |
| 40  | TRC              | 16 × Transmit Clock. Apply a clock signal with a frequency that is equal to 16 times the desired baud rate. If the transmitter and receiver sections operate at the same speed (usually the case), then strap together TRC and RRC terminals so that the same clock serves both sections.   |             |      |      |        |     |     |        |      |     |        |     |      |        |      |      |

The B-version will recognize any voltage between +5 and +25 volts as a logic 0, and any voltage between -5 and -25 volts as a logic 1. This is exactly the opposite of what one might expect. These levels assume an impedance between 3000 and 7000 ohms.



**Fig. 17-7. RS-232B and C voltage levels.**

Designing RS-232C circuits can be a real chore because there are a number of other considerations, including driver output impedance and a 30 volt/microsecond slew-rate specification. Fortunately, the chore is made easier by special integrated circuit RS-232C line drivers and receivers. The Motorola MC1488 driver and MC1489 receiver are prime examples.

The standard 25-pin D-type connector is specified for RS-232C, with the following pinout functions assigned:

| Pin No. | RS232 Name | Function                        |
|---------|------------|---------------------------------|
| 1       | AA         | Chassis ground                  |
| 2       | BA         | Data from terminal              |
| 3       | BB         | Data received from modem        |
| 4       | CA         | Request to send                 |
| 5       | CB         | Clear to send                   |
| 6       | CC         | Data set ready                  |
| 7       | AB         | Signal ground                   |
| 8       | CF         | Carrier detection               |
| 9       | undef      |                                 |
| 10      | undef      |                                 |
| 11      | undef      |                                 |
| 12      | undef      |                                 |
| 13      | undef      |                                 |
| 14      | undef      |                                 |
| 15      | DB         | Transmitted bit clock, internal |
| 16      | undef      |                                 |
| 17      | DD         | Received bit clock              |
| 18      | undef      |                                 |
| 19      | undef      |                                 |
| 20      | CD         | Data terminal ready             |
| 21      | undef      |                                 |
| 22      | CE         | Ring indicator                  |
| 23      | undef      |                                 |
| 24      | DA         | Transmitted bit clock, external |
| 25      | undef      |                                 |



## Chapter 18

# Tape Recorders & Data Loggers

---

Analog and digital data can be stored on ordinary audio recording tape. Of course, the data density in the digital case is greater if digital tape systems are used, but audio recorders are very low in cost, so are attractive to many users. Most of these low-cost systems cannot easily locate specific bundles of data, but where the data is reviewed or used in the same sequence as it was recorded, the audio recorder is often a viable alternative.

Several different types of recording are used: direct, amplitude-modulated carrier, frequency-modulated carrier, and frequency-shift keying (FSK). Any of these systems can be implemented on machines employing reel-to-reel, cassette, eight-track cartridges, or four-track cartridges.

Direct recording applies the analog waveform directly to the record inputs of an unmodified tape recorder. The frequency response of a recorder is on the order of 50 to 8000 hertz for low-cost machines, and 40 to 18,000 hertz for high-grade stereo models. The fundamental frequency of the data signal must fall within the bandpass limits of the recorder or data will be lost. The direct method is of limited application because most signals that are amenable to recording on low-cost machines are low frequency, i.e., 0.01 to 100 hertz.

The two carrier methods (AM and FM) offer the best means for recording analog data on an audiotape recorder. Both AM and FM methods use an audio-frequency carrier that is inside of the bandpass of the tape recorder. Carrier frequencies between 400 and 8000 hertz are commonly used.

Most tape recorders suffer a severe loss of high-frequency response if the head cluster alignment is not exact, or if a thin layer of iron oxide stripped off the tapes is covering the head gap. Additionally, once a tape is recorded, it tends to lose some of the high frequencies each time the tape is played. For these reasons, most systems employing audiotapes for analog data storage use carrier frequencies in the 1000- to 2000-hertz range.

A simple amplitude modulator is shown in Fig. 18-1A. Any circuit can be used, provided that it mixes the carrier and the analog signal together in a device that is nonlinear, in this case diode  $D_1$ . The point is to select a device that will show a changing impedance over cyclic excursions of the input signals.

The output of the simple amplitude modulator is connected to the record signal input on the tape recorder. If a tape recorder microphone input is used, then a voltage divider is needed that will reduce the output voltage from the modulator to  $-40$  dBm or less.

Another, and far more elegant, circuit is shown in Fig. 18-1B. This circuit is based on the standard three-transistor DC differential amplifier. RCA Semiconductor Division makes a number of linear integrated circuit versions of this circuit in their CA3000-series devices (e.g., CA3028).

DC bias networks hold the bases of  $Q_2$  and  $Q_3$  constant. In the case of  $Q_3$ , that also establishes collector current  $I_3$  as a constant. Current  $I_3$  is the source for the collector currents in the differential pair  $Q_1$  and  $Q_2$  and since  $I_3$  is held constant, the following relationship holds true.

$$I_3 = I_1 + I_2 = k \quad (18.1)$$

where  $I_1$  is the collector current in  $Q_1$ ,  $I_2$  is the collector current in  $Q_2$ , and  $I_3$  is the collector current in  $Q_3$ .

The oscillator supplies a 1 kHz carrier signal to the base of  $Q_3$ , so current  $I_3$  is modulated at a 1 kHz rate. The analog data signal is

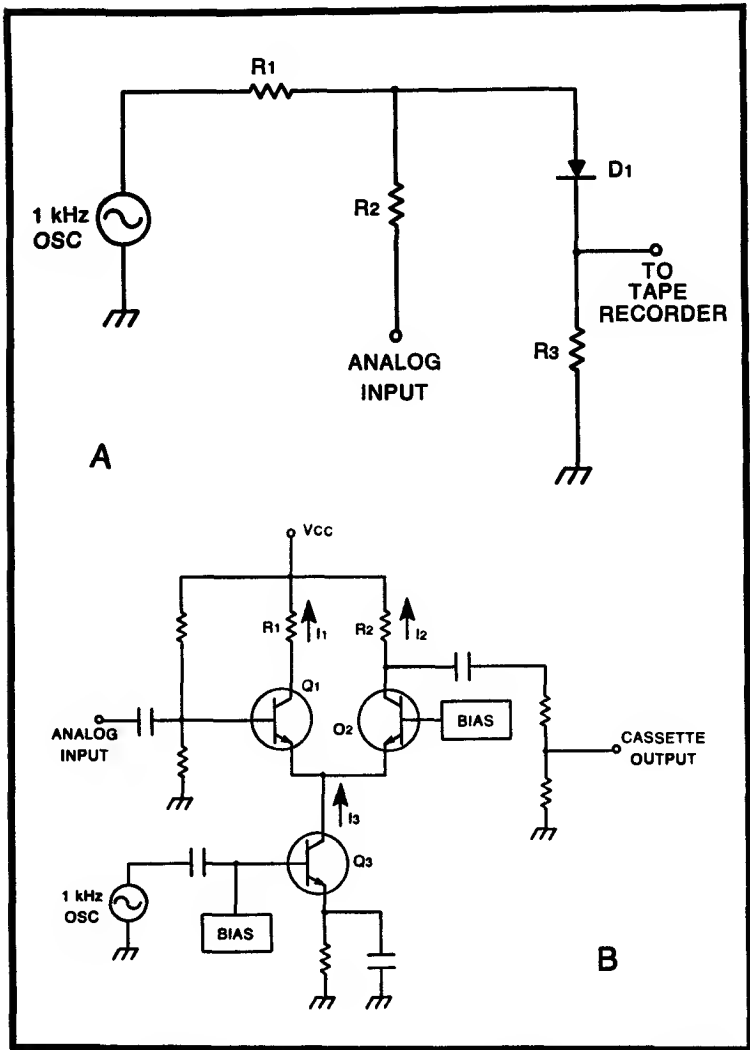


Fig. 18-1. Amplitude modulators. (A) Simple modulator for cassette recorder. (B) Modulator using an IC differential amplifier.

applied to the base of  $Q_1$ . For our purposes, the initial analysis will assume that  $I_3$  is DC, which is not terribly unreasonable, since  $I_3$  will be a sine wave of constant amplitude.

When the analog data signal is positive, transistor  $Q_1$  will turn on harder. This causes current  $I_1$  to increase, but since  $I_3$  is a constant,



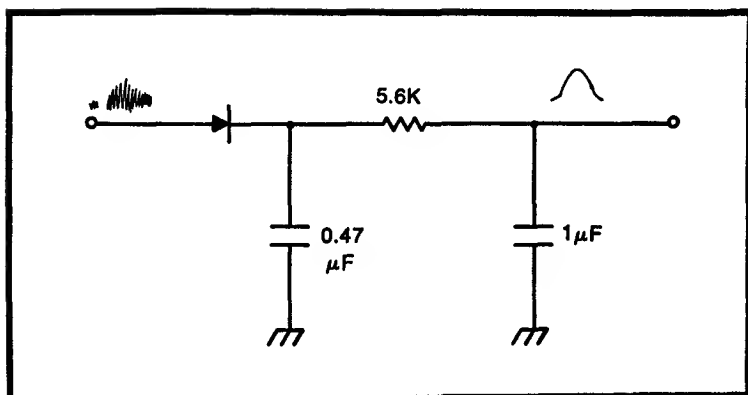


Fig. 18-2. Simple envelope detector for AM decoding.

the increase in  $I_1$  causes current  $I_2$  to decrease. If  $I_2$  decreases, then the collector voltage on  $Q_2$  will increase.

Similarly, when the analog input voltage is negative, the  $I_1$  current decreases. This change causes the  $I_2$  current to increase, so that Eq. 18.1 remains satisfied. When  $I_2$  increases, the  $Q_2$  collector voltage decreases. The collector voltage of  $Q_2$  will be an amplified rendition of the analog input waveform.

If the 1 kHz oscillator signal is present at the base of  $Q_3$ , then the output on the collector of  $Q_2$  will be a 1 kHz carrier that is amplitude modulated by the analog input signal. This signal must be reduced in amplitude by a voltage divider to a level compatible with a tape recorder input.

The circuits of Figs. 18-1A and 18-1B are used to encode the signal on an audio-frequency carrier so that it can be recorded on audiotape. The circuit in Fig. 18-2, on the other hand, can be used to demodulate the recorded signal. It is essentially an envelope detector such as those used in AM broadcast receivers.

Alternate schemes for AM encoder circuits involve the use of one of the linear IC balanced modulators now on the market. Devices such as the MC1495 and MC1496, or the XR-205 will work nicely. These chips are also billed as analog multipliers, since amplitude modulation is essentially a multiplication process.

The same IC devices also work as a product detector on the decode side of the system if the roles of the oscillator and signal are

reversed. The oscillator would be applied differentially to the bases of  $Q_1$  and  $Q_2$  (Fig. 18-1B), while the modulated signal would be applied to the base of  $Q_3$ .

Frequency-modulated carrier systems are more popular than amplitude-modulated systems. In fact, most instrumentation recorders use FM encoding. The use of FM, however, places greater constraints on the wow and flutter (i.e., speed stability) specifications of the tape recorder. Low-cost voice-grade machines are not usually adequate for this type of recording, but most of those in the over-\$100 range will work properly.

A voltage-controlled oscillator (VCO) is used as the FM oscillator (Fig. 18-3). The resting frequency of the VCO will be the unmodulated carrier frequency. This frequency should be around 1 or 2 kHz for most moderate-grade tape recorder systems.

An example of such a circuit is shown in Fig. 18-4. This circuit is based on the Signetics 566 VCO, or function generator integrated circuit. Amplifier  $A_1$  is an operational amplifier used as a level shifter. The control voltage input of the 566 must be given a quiescent level, which is provided by the offset network  $R_5$  through  $R_7$ . The analog

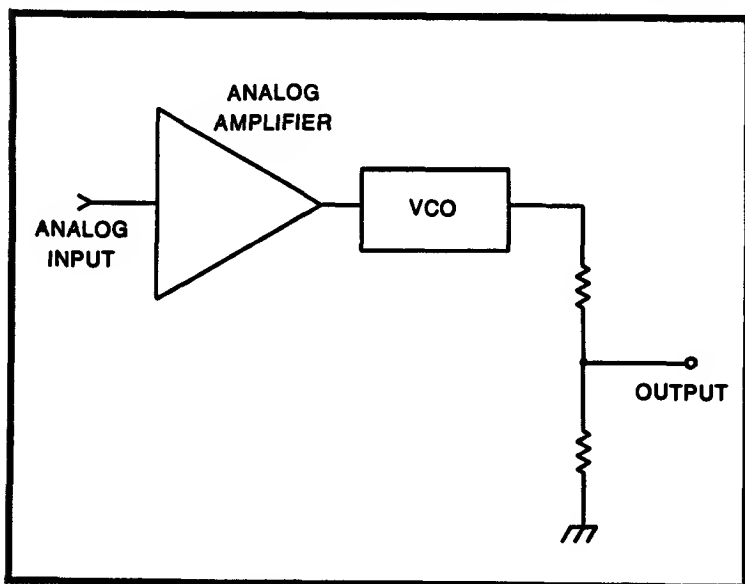


Fig. 18-3. Basic FM tape system.

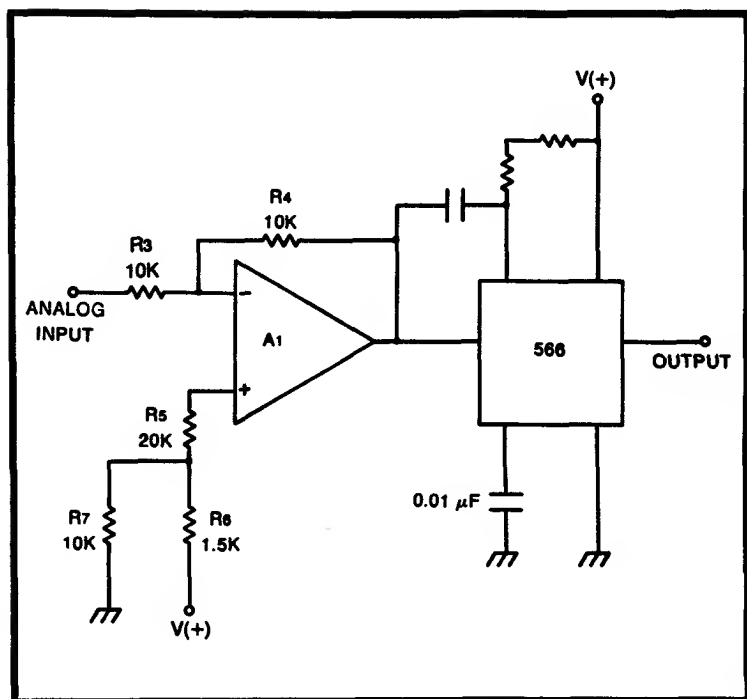


Fig. 18-4. Frequency modulator using the Signetics NE566 IC.

input signal sees a gain of unity, and causes the  $A_1$  output to vary about the quiescent point:

$$E_{OUT} = \frac{V_{CC}R_7}{R_6 + R_7} + E_{IN} \quad (18.2)$$

Varying the control voltage about the quiescent point (i.e.,  $E_{OUT}$  when  $E_{IN} = 0$ ) causes the running frequency of the VCO to shift an amount proportional to the amplitude of the analog input voltage  $E_{IN}$ . The result is a frequency-modulated audio carrier encoded with the analog waveform.

There are several approaches to demodulation of the FM carrier, but the most popular seem to be pulse-counting detection (PCD) and phase-locked loops (PLL). Envelope detection will not work, nor will product detection.

The block diagram for PCD demodulator is shown in Fig. 18-5. It consists of a Schmitt trigger, monostable multivibrator (i.e., one-shot multivibrator), integrator, and optional amplifier.

The modulated signal from the tape recorder is applied to the input of the Schmitt trigger circuit. This stage is used to square up the waveform. Recall that a Schmitt trigger output will snap high when the input signal voltage is greater than a certain threshold, and remains high as long as the signal remains above that threshold. If the signal voltage goes below the threshold, then the output snaps low again. This circuit action produces one square wave output for every input cycle.

The square wave signal is used to trigger the one-shot stage. The reason why this is done is that the square waves have variable width, and in the actual detection process we require pulses of constant amplitude and duration, which means that the area under all pulses is the same. Only the number of pulses varies with the modulation on the FM input signal.

These pulses are integrated, and that process recovers the original analog waveform that was recorded on tape.

The PCD method requires rigorous speed stability specifications for the machine used for playback. Speed variations tend to vary the frequency of the recorded signal, and this is seen as modulation by the detector. The detector cannot distinguish speed

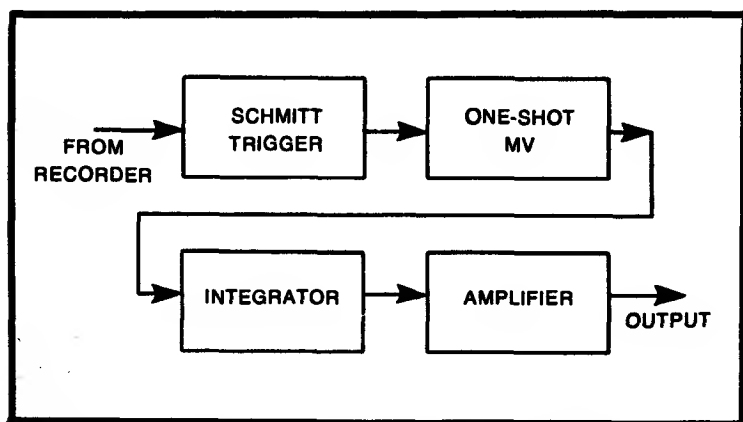


Fig. 18-5. Block diagram to a frequency demodulator for tape systems.

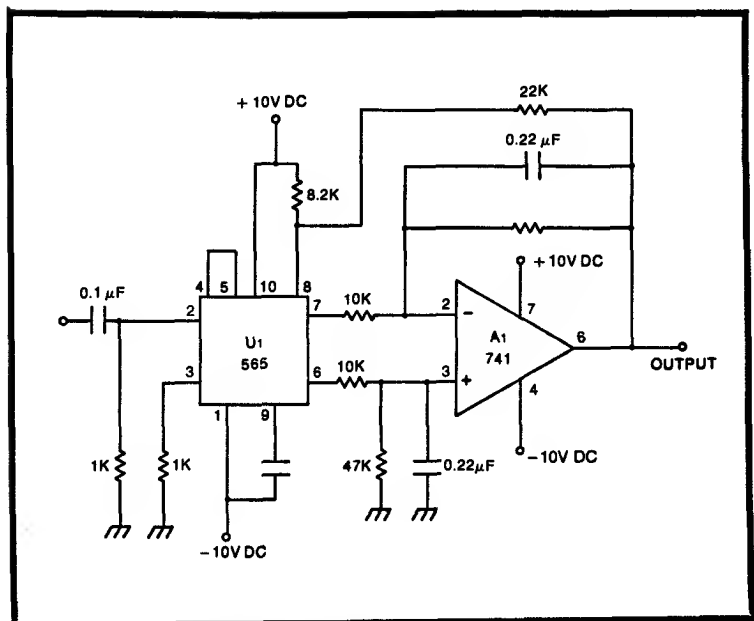


Fig. 18-6. Phase-locked loop frequency demodulator.

variation artifacts from real modulation. The PCD system does, however, allow quite a margin of error between the recording and playback speeds. This feature allows you to play back a recording made on another machine.

An example of PLL detector is shown in Fig. 18-6. This circuit is based on the Signetics 565 integrated circuit PLL device, and a 741 operational amplifier. The operational amplifier acts as a buffer, level shifter, and low-pass filter.

This circuit suffers from the same dependence on tight wow and flutter specifications as does the PCD, but it also has the same ability to track playback signals that have a slightly different frequency than was originally recorded.

For applications with a high accuracy requirement it is usually best to use a stereo recorder. Record the modulated carrier, i.e., that signal containing the analog waveform, on one channel and an unmodulated carrier on the other channel. The second channel signal serves as a reference for speed correction. An IC phase detector (Fig. 18-7) such as the Motorola MC4044 can be used to compare

the signals from the two channels. Speed variations will affect both signals equally, but frequency variations due to modulation affects only the one channel. The integrated output of the phase detector, therefore, will be the recovered analog waveform.

### DIGITAL DATA ON AUDIO RECORDERS

Digital data can be recorded on an audiotape recorder in much the same manner, except that only two tones are used; one each for the two possible logic states. This type of modulation is sometimes called frequency-shift keying (FSK) after teletypewriter terminology, and is essentially the same as the circuits discussed in the chapter on serial data communications.

In this case the output of the UART transmitter or other serial data source modulates the VCO, but the VCO output is reduced in amplitude to a level that is comparable with other audio sources used with the recorder, as low as  $-40$  to  $-56$  dBm.

The UART transmitter and receiver requires a  $16\times$  baud-rate clock. This clock can be provided for the transmitter only, and the signal recorded on the unused channel of a stereo tape recorder. It is then squared up in a Schmitt trigger and applied to the  $16\times$  clock input on the receiver. This tactic allows speed variations to exist without fouling up the recovered data.

Consider Fig. 18-8, which shows a block diagram to a digital data recovery system used by many microcomputer manufacturers.

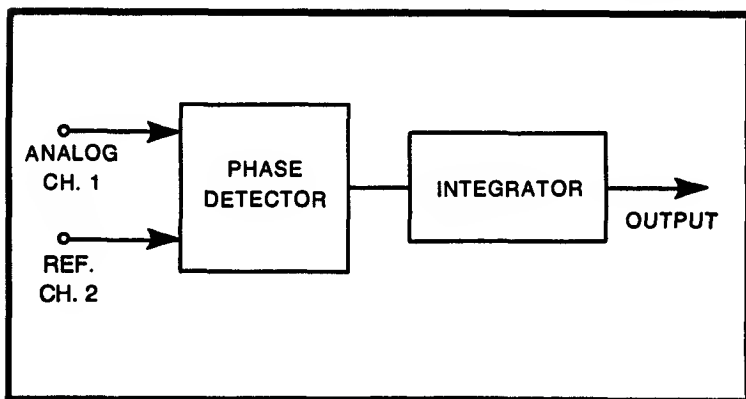


Fig. 18-7. Phase detector frequency demodulator.

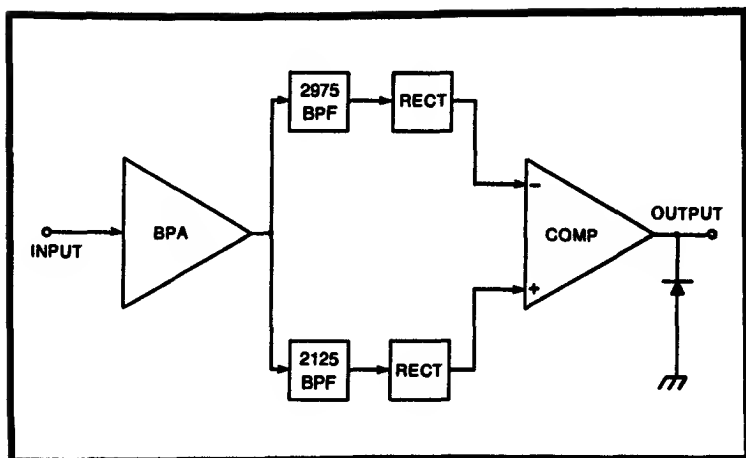


Fig. 18-8. Digital FSK decoder.

In this system logic 1 is represented by a 2125-hertz tone, and logic 0 by a 2975-hertz tone.

Since the UART output is high (i.e., logic 1) when there is no transmission taking place, the 2125-hertz tone would be applied continuously. At the instant when a data transmission begins the tone shifts to 2975 hertz indicating that the start bit is a logic 0, after which the tone wobbles back and forth according to the applied bit pattern.

At the receive end, the recorder output signal is passed through a bandwidth limited amplifier that passes only frequencies in the 2100- to 3000-hertz range, a tactic that tends to reduce noise problems.

The signal is split into two paths at the output of the first amplifier, one path leads through a 2975-hertz filter and the other through a 2125-hertz filter. Each filter is sharply tuned so only signals of the proper frequency will pass through.

The output signals from the two filters are rectified in an operational amplifier *ideal* or *precision* rectifier circuit (see *Op Amp Circuit Design & Application*, TAB Cat. No. 787). The outputs of the rectifiers are applied to alternate inputs on a voltage comparator.

The inverting input of the comparator is connected to the output of the 2975-hertz (i.e., logic 0) tone, while the noninverting

input of the comparator is connected to the output of the 2125-hertz (i.e., logic 1) filter.

If a logic 1 tone is present, then the comparator output will be positive, giving a logic 1 level.

Similarly, when the logic 0 tone is present, the input polarity seen by the comparator reverses, so the comparator output tries to go negative. The germanium diode across the comparator output clamps the negative excursion to approximately 0.2 volts, so the respective logic levels will be positive to logic 1 and 0 volts for logic 0. These levels are compatible with most CMOS systems, but clipping or level shifting will be required for operation with TTL devices.

## **DATA LOGGERS**

Tape recorders are used to record data on a continuous basis, and it is usually deemed impractical to try using them for more than a few hours. Also, many scientific and engineering experiments do not require continuous, moment-for-moment recording of the data, but do requiring monitoring over a long period of time. Some are left running for 12 hours or even up to several days. Many applications only require a data point every minute, every 5 minutes, or even once per hour.

A *data logger* is a solid-state memory device that will store digitized data (i.e., binary). These instruments can be quite costly and complex if high speed or large-word length are required, but are more reasonable in slow speed, eight-bit versions.

A simple data logger can be constructed (see Fig. 18-9A) using readily available microcomputer memory chips. The memory system can be constructed especially for this project, or (more reasonably) one of the 4K, 8K, 16K, or 32K eight-bit microcomputer memory boards can be adapted to this application. Some 4K boards sell for under \$100, while several 8K boards sell for just a little over \$125.

There are two approaches to data logger design. The approach shown in Fig. 18-9A uses ordinary CMOS or TTL logic chips, while the alternate scheme uses a microprocessor.



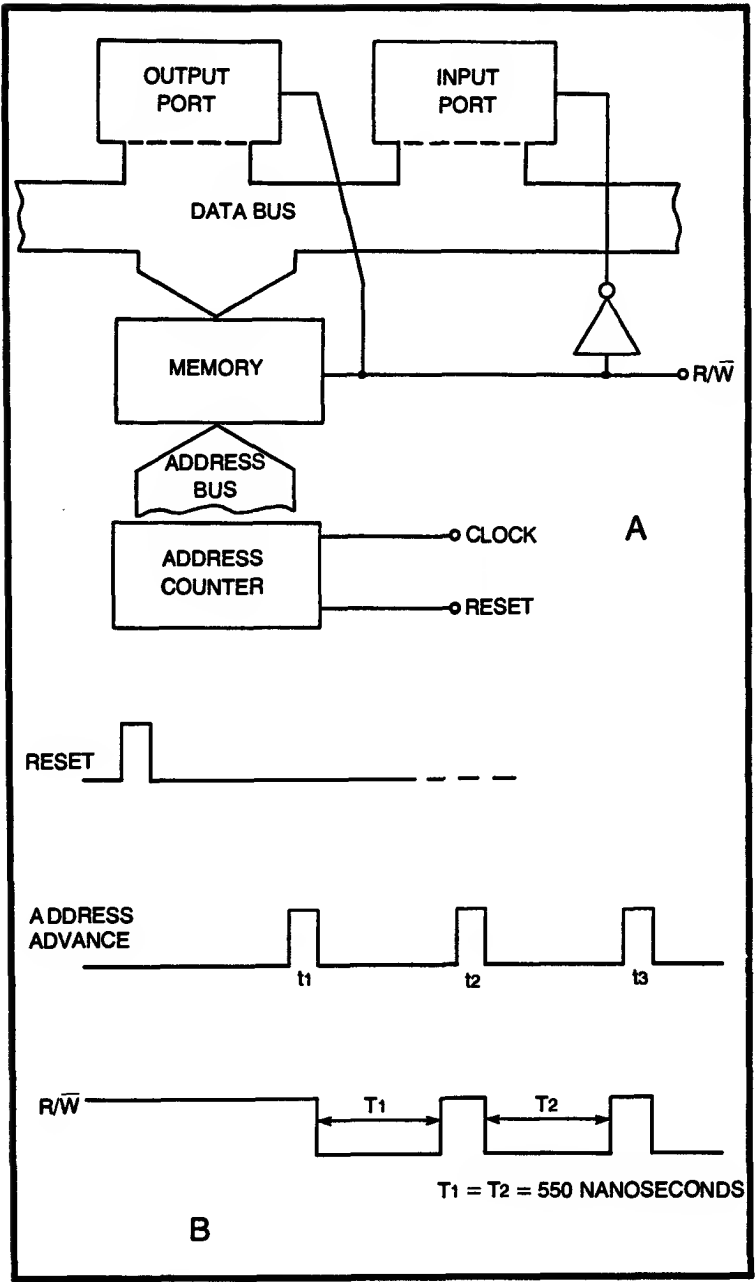


Fig. 18-9. (A) Digital data logger. (b) Timing diagram.

In the circuit of Fig. 18-9A a memory array is connected to an eight-bit data bus and an address bus. A binary counter or address generator is clocked at a rate equal to the desired sampling interval. This can be anything from a few milliseconds to once every hour.

The timing diagram is shown in Fig. 18-9B. A reset pulse sets the counter address to 00000000. Alternately, some users might want to speed up the clock and advance the address to a starting location other than 00000000. A magnitude comparator such as the 7485 will tell the circuit when to shut off.

Clock pulses  $t_1, t_2, t_3, \dots t_n$  advance the address counter by one location each. Following the memory address advance, on the trailing edge of the clock pulse, the R/W line goes low, enabling the input port and setting the memory in a WRITE condition. Data on the input port is then strobed into the memory location given by the address counter.

In order to read from memory, it is only necessary to invert the logic level applied to the R/W line following the clock pulse. It is good design practice to inhibit the input port during READ operations.

A simple data logger can be constructed from a microcomputer. Although table-top mainframe models can be used, only a so-called controller or minimum system is needed, i.e., some ROM, RAM (as much as required), one I/O port, and a data update clock.

The update clock could be wired to an interrupt line. A program is then written to keep the computer in a no-op loop until the clock-interrupt line becomes active. The program would then increment the address counter and input (or output) the data as required.

A standard 8K (i.e., 8192-word) memory board costing about \$125, when used with a once-per-5-minutes data sampling rate, will store 40,960 minutes (that's 683 hours, or 28 days) worth of data.



## Chapter 19

# Telephone Dialer Circuits

---

One of the more aggravating technological innovations of the past few years is the automatic computer-controlled telephone dialer/solicitor. One application is to have the computer dial telephone numbers in sequence (an easy trick for a computer), deliver a prerecorded advertising message, then record the listener's response—which at my house would be unprintable.

Another application, which to me seems more socially acceptable, is for a computer to sense an alarm condition such as a fire or break-in at home or office, then dial a predetermined telephone number to warn a human to take an indicated action. Alarms could be connected to the interrupt lines of a microcomputer in this application. The computer could then take care of other tasks, or if a dedicated alarm system machine, just idle in an endless no-op loop until the alarm creates an interrupt situation. It would then branch to program the services that interrupt and dial the programmed number.

In this chapter we will talk about circuits that will dial either pulses or Touch-Tone telephones under program control. It is also useful at this point to review the telephone interconnection material given in Chapter 17.

This discussion is based on the Motorola MC14408/MC14409 binary-to-phone-pulse converter chips, and the MC14410 Touch-

Tone generator chip. There are probably others on the market by the time this is published, so consult the CMOS special chip catalogues of Motorola and other semiconductor manufacturers for additional devices.

## DIAL PULSE SYSTEM

The telephone can be represented by a model circuit such as Fig. 19-1A. A DC power supply potential ( $E$ ) of around 60 volts will be measured across the line when the receiver is on the hook (i. e., when  $S_1$  is open). When the receiver is lifted off the hook, then the impedance of the telephone set loads the line, and the approximate voltage across the receiver is (see Fig. 19-1B):

$$E_2 = 60 \times \frac{R_2}{R_1 + R_2} \quad (19.1)$$

This drop in level is often used by telephone-answering and signaling devices to assure that the receiver is off the hook before starting the message. It also signals bugging equipment of an active line.

Alternatively, an incoming call can be recognized before the receiver is lifted off the hook by the ringing signal, which is an AC tone in the 16- to 25-hertz range, that has an amplitude as high as 30 volts RMS.

Alternatively, an incoming call can be also recognized by the actual acoustical ringing of the bell. A microphone placed in close proximity to the telephone set will pick up the sound of the bell and turn on the equipment. If the microphone is placed close enough, and is not too sensitive, then only the ringing of the bell will set off the alarm circuitry, ambient room noise will cause only an occasional false alarm.

Many low-cost telephone-answering devices (TADs), especially those manufactured prior to the decisions that permitted foreign interconnects, were designed so that the telephone sits on top of the machine, immediately over the microphone. A solenoid-driven latch lifts the receiver off the hook after the bell has been recognized. It will then play a taped message to the caller.

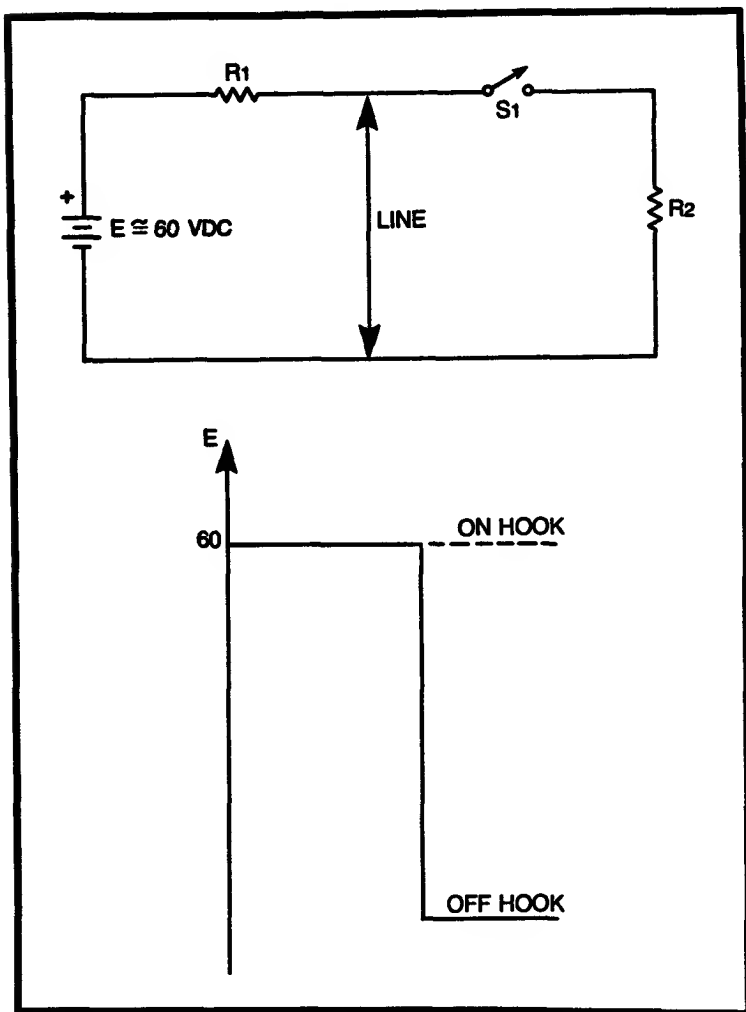


Fig. 19-1. Simplified representation of the phone line. (A) Circuit. (B) Voltage waveform.

Most of the more recent devices, however, take advantage of the looser regulations regarding interconnects, and connect directly to the telephone line. The telephone company uses a standard four-pin jack for remote or portable telephone connection. The manufacturer encourages the buyer of their equipment to have these installed, and will supply their equipment with a matching plug. One

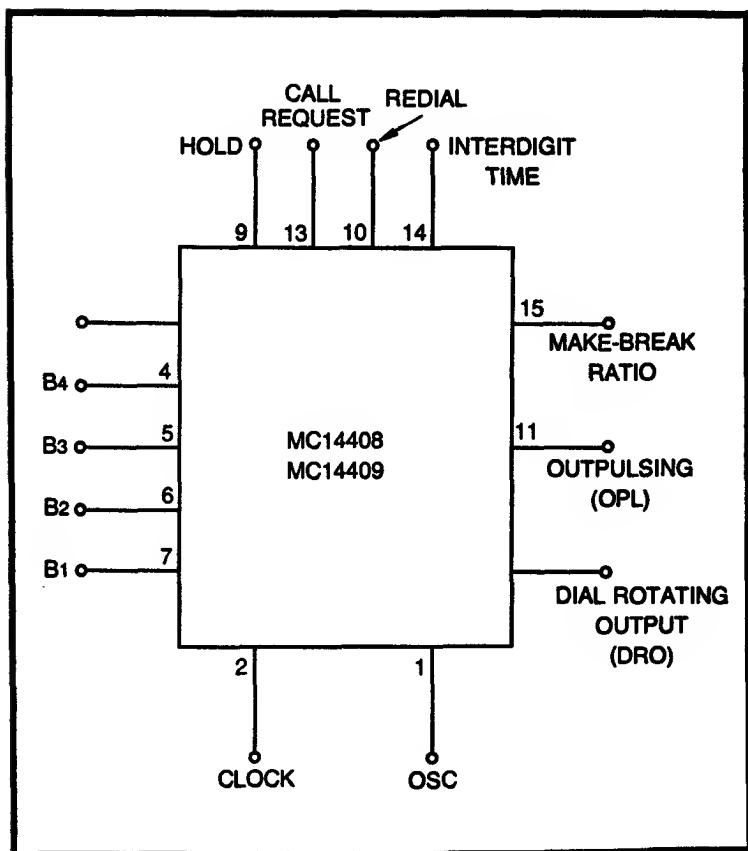


Fig. 19-2. Motorola MC14408/MC14409 telephone dial pulser IC.

could use almost any plug/socket combination that is handy, but if discovered, it will likely be viewed dimly by the phone company.

### THE MC14408/MC14409 Devices

The block diagram to the Motorola MC14408 and MC14409 IC binary-to-phone-pulse devices are shown in Fig. 19-2. These MOS LSI (i.e., McMOS) chips will convert the four-bit binary word applied to their inputs to the number of serial output pulses indicated by the value of the applied four-bit code.

These devices are identical to each other in every respect, except for the dial-rotating output (DRO). On the MC14408 device

the DRO remains high during continuous "outpulsing" (output pulsing) while on the MC14409 the DRO remains low during outpulsing.

The MC14408/09 devices can be used either alone, provided that suitable binary driving source is available for the inputs, or as a pushbutton dialing adapter for non-Touch-Tone systems. In the latter case the companion MC14419 two-of-eight-to-binary converter chip is used as the BCD source.

These chips will dial numbers up to sixteen digits in length, and will redial the last number entered. They also have selectable dialing rates (i.e., 10 or 20 pps), interdigit time (i.e., 150 to 800 msec), and make-break ratio (i.e., 61% or 67%).

The output stage is a bipolar transistor that can accommodate a variety of loads including discrete transistor load drivers, TTL and CMOS digital logic devices. These features, incidentally, allow other applications not limited to telephone dialing systems.

### **MC14410 Two-of-Eight Tone Encoder**

The Motorola MC14410 is an LSI CMOS chip that will generate two simultaneous tones on command from a standard two-of-eight contact closure key pad. The key pads are now widely available, especially from dealers supplying amateur radio operators, who use them (and the MC14410 or similar chips) to make VHF-FM (i.e., 2m) transceivers able to dial the telephone through a repeater.

The keyboard format has become standard, and requires that the pushbutton switches be used in a four-by-four matrix, that is to say a grid of four rows intersecting four columns. When a pushbutton is depressed, a switch is closed that shorts together one row and one column, creating a unique logic situation out of sixteen possible states.

The MC14410 contains its own clock circuit, controlled on-chip by a 1 MHz oscillator. The clock creates *two* simultaneous semi-sine waves by a special digital addition technique. The frequency tolerance is on the order of  $\pm 0.2\%$ .

Figure 19-3 shows the basic connection scheme for the MC14410 chip. Note that very little extra circuitry is required external to the chip. The clock frequency is set by the 1000 kHz crystal ( $Y_1$ ) shunted by the 15M resistor.



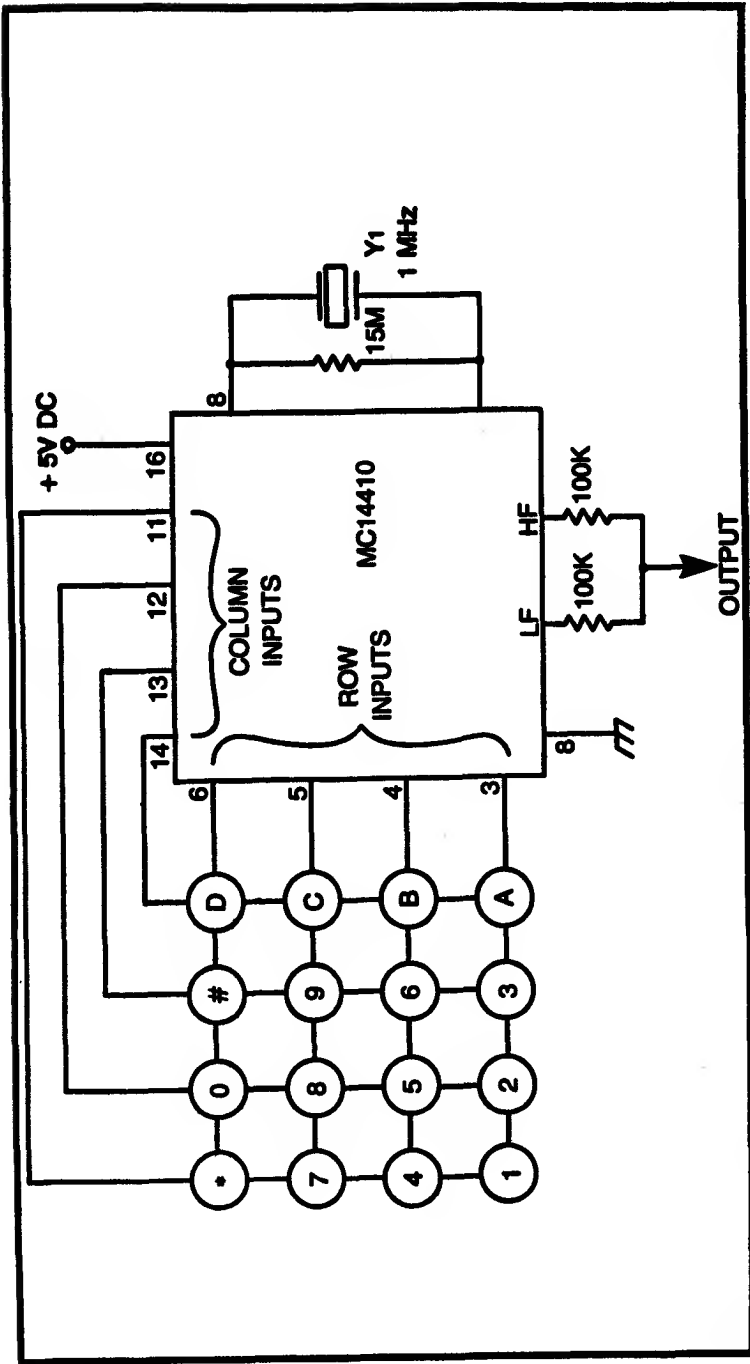


Fig. 19-3. Motorola MC14410 Touch-Tone IC.

The only connections required are the four row inputs, four column inputs, +5 volts DC, ground, and the high- and low-frequency outputs. The two outputs are separate from each other, allowing independent operation should it become necessary. In the example of Fig. 19-3, however, the two frequencies are summed as they should be in a Touch-Tone dialing system.

The example shown is from the Motorola applications literature, and is the simple case where a keyboard is used. The effect of the keyboard is to simultaneously ground a single row line and a single column line. This chip can be connected to a microcomputer output port to accomplish the same thing. In that case, the dormant state would be for all eight bits to be high. To select a Touch-Tone digit one need only make two bits at a time low.

### Example 19-1

The first of the following lists gives the frequencies generated by the MC14410 when each row or column is zero, while the second one gives the tone-pair required for each digit on the telephone dial. Note that each dial digit requires two tones, one each from high- and low-frequency groups.

| Input Line | Low Group (Hz) | High Group (Hz) |
|------------|----------------|-----------------|
| $P_1$      | 697            | —               |
| $R_2$      | 770            | —               |
| $R_3$      | 852            | —               |
| $R_4$      | 941            | —               |
| $C_1$      | —              | 1209            |
| $C_2$      | —              | 1336            |
| $C_3$      | —              | 1477            |
| $C_4$      | —              | 1633            |

| Digit | Tone Pair | Digit | Tone Pair |
|-------|-----------|-------|-----------|
| 0     | $R_4C_2$  | 8     | $R_3C_2$  |
| 1     | $R_1C_1$  | 9     | $R_3C_3$  |
| 2     | $R_1C_2$  | A     | $R_1C_4$  |
| 3     | $R_1C_3$  | B     | $R_2C_4$  |
| 4     | $R_2C_1$  | C     | $R_3C_4$  |
| 5     | $R_2C_2$  | D     | $R_4C_4$  |
| 6     | $R_2C_3$  | *     | $R_4C_1$  |
| 7     | $R_3C_1$  | #     | $R_4C_3$  |

How would you go about autodialing a telephone number, such as the almost universal emergency number 911, used in many cities for fire, police, and rescue?

### Solution:

First, we must assign the rows and columns of the MC14410 to bits of a microcomputer output port. This is done in the following list:



| Bit    | Designation |
|--------|-------------|
| 1(LSB) | $C_1$       |
| 2      | $C_2$       |
| 3      | $C_3$       |
| 4      | $C_4$       |
| 5      | $R_1$       |
| 6      | $R_2$       |
| 7      | $R_3$       |
| 8(MSB) | $R_4$       |

Note that this is almost arbitrary, and you can make your own assignment protocol so long as each condition is unique to that system and is kept consistent.

Digit 9 is represented by the tone pair  $R_3C_3$ , while digit 1 is represented by tone pair  $R_1C_1$ . The output word from the computer when no numbers are being dialed should be 11111111. This word will set all lines to the MC14410 high.



To generate a 9 we will want to set  $R_3C_3$  low.  $R_3$  corresponds to bit 7, while  $C_3$  corresponds to bit 3. The output word that causes the MC14410 to create a digit 9 tone pair is

10111011

bit 7 low   bit 3 low

The digit 1 is represented by  $R_1C_1$ . The preceding list tells us that  $R_1$  is represented by bit 5, and  $C_1$  is bit 1. The binary word used to generate this condition at the MC14410 is

11101110

bit 5 low   bit 1 low

In an application such as a burglar alarm, where the computer would dial a telephone number, we would write a program that would dial a given number (such as 911 or your local security company),

then activate a taped or computer-synthesized message. Note that most microcomputers are now available with a compatible voice synthesizer plug-in card that could handle a simple message. Also, be aware that in some jurisdictions the police and fire will not respond to an automatic message. In that case, have the computer call the security service, your home (if it is an office system), or a temporary number entered into the machine just before you left. Imagine being at a party and being the only one to receive a computerized message.

It is necessary to hold each number on the output port long enough for the telephone company central office equipment to recognize and act on that digit. This is a brief matter of a few milliseconds, but a computer can zip through all digits too fast!



# **Appendix**

# Am741/741C/741A/741E

## Frequency-Compensated Operational Amplifier

### Description:

The Am741 Series Frequency Compensated Operational Amplifiers are functionally, electrically, and pin-for-pin equivalent to the Fairchild  $\mu 741$  series. They are available in the hermetic metal can, flat package, and dual-in-line packages as well as plastic dual-in-line.

The Am741A and Am741E are tested to the electrical characteristics of the current revision of MIL-M-38510/10101.

### Distinctive Characteristics:

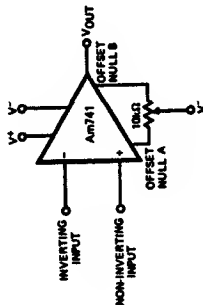
100% reliability assurance testing including high-temperature bake, temperature cycling, centrifuge and fine leak hermeticity testing in compliance with MIL-STD-883.

Electrically tested and optically inspected dice for the assemblers of hybrid products.

### FUNCTIONAL DESCRIPTION

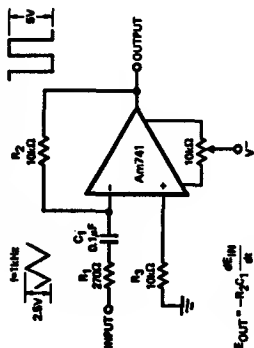
The Am741 series are differential input, class AB output amplifiers intended for general purpose applications. They are protected against faults at input and output, and require no external components for frequency compensation.

### FUNCTIONAL DIAGRAM

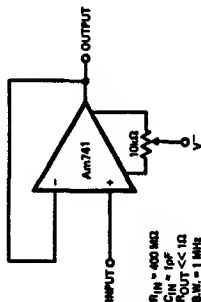
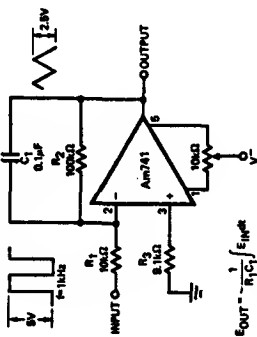


## APPLICATIONS UNITY GAIN VOLTAGE FOLLOWER

### DIFFERENTIATOR



### INTEGRATOR



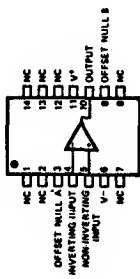
### ORDERING INFORMATION

| Part Number | Package Type | Temperature Range | Order Number |
|-------------|--------------|-------------------|--------------|
| Am741C      | Metal Can    | 0°C to +70°C      | 741HC        |
|             | Hermetic DIP | 0°C to +70°C      | 741DC        |
|             | Dice         | 0°C to +70°C      | 741XC        |
| Am741       | Metal Can    | -55°C to +125°C   | 741HM        |
|             | Hermetic DIP | -55°C to +125°C   | 741DM        |
|             | Flat Pack    | -55°C to +125°C   | 741FM        |
|             | Dice         | -55°C to +125°C   | 741XM        |
| Am741E      | Metal Can    | 0°C to +70°C      | 741EHC       |
|             | Hermetic DIP | 0°C to +70°C      | 741EDC       |
| Am741A      | Metal Can    | -55°C to +125°C   | 741AHM       |
|             | Hermetic DIP | -55°C to +125°C   | 741ADM       |
|             | Flat Pack    | -55°C to +125°C   | 741AFM       |

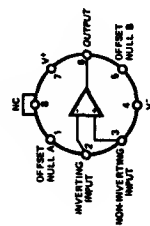
### CONNECTION DIAGRAMS

#### Top Views

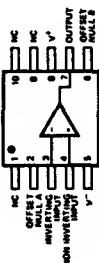
#### Dual-In-Line



#### Metal Can



#### Flat Package



#### Notes:

1. On DIP, pin 6 is connected to bottom of package.
2. On Flat Package, pin 5 is connected to bottom of package.



## MAXIMUM RATINGS

|  |   |
|--|---|
| Supply Voltage                         | $\pm 22$ V<br>$\pm 18$ V  |
| Am741/741A/741E                        |   |
| Am741C                                 | 500 mW  |
| Internal Power Dissipation (Note 1)    | $\pm 30$ V  |
| Differential Input Voltage             | $\pm 0.5$ V   |
| Voltage between Offset Null and V-     | $\pm 15$ V  |
| Input Voltage (Note 2)                 | Indefinite  |
| Output Short-Circuit Duration (Note 3) |   |
| Operating Temperature Range            | $-55^{\circ}\text{C}$ to $+125^{\circ}\text{C}$<br>$0^{\circ}\text{C}$ to $+70^{\circ}\text{C}$ |
| Am741/741A                             |   |
| Am741C/741E                            | $-65^{\circ}\text{C}$ to $+150^{\circ}\text{C}$   |
| Storage Temperature Range              | $300^{\circ}\text{C}$   |
| Lead Temperature (Soldering, 60 sec.)  |   |

ELECTRICAL CHARACTERISTICS ( $V_s = \pm 15$  V,  $T_A = 25^{\circ}\text{C}$  unless otherwise specified)

| Parameter<br>(see definitions)  | Am741C   |      | Am741    |          | Units    |          |            |
|---------------------------------|--|------|----------|----------|----------|----------|------------|
|                                 | Min.   | Typ. | Max.     | Min.     |          | Typ.     | Max.       |
| Input Offset Voltage            | $R_L \leq 10$ k $\Omega$                       |      | 2.0      | 6.0      | 1.0      | 5.0      | mV         |
| Input Offset Current            | 20   | 200  | 20       | 200      | 20       | 200      | nA         |
| Input Bias Current              | 80   | 500  | 80       | 500      | 80       | 500      | nA         |
| Input Resistance                | 0.3  | 2.0  | 0.3      | 2.0      | 2.0      |          | M $\Omega$ |
| Input Capacitance               | 1.4  |      | 1.4      |          | 1.4      |          | pF         |
| Offset Voltage Adjustment Range |  |      | $\pm 15$ |          | $\pm 15$ |          | mV         |
| Input Voltage Range             |  |      | $\pm 12$ | $\pm 13$ | $\pm 12$ | $\pm 13$ | V          |
| Large-Signal Voltage Gain       | $R_L \geq 2$ k $\Omega$ , $V_{out} = \pm 10$ V |      | 20       | 200      | 50       | 200      | V/mV       |

| Output Resistance   |  | 75       | 75       | $\Omega$               |
|---|--|----------|----------|------------------------|
| Output Short-Circuit Current  |  | 25       | 25       | mA                     |
| Supply Voltage Rejection Ratio  | $R_S \leq 10 \text{ k}\Omega$  | 30       | 150      | $\mu\text{V/V}$        |
| Common Mode Rejection Ratio   | $R_S \leq 10 \text{ k}\Omega$  | 70       | 90       | dB                     |
| Supply Current  |  | 1.7      | 2.8      | mA                     |
| Power Consumption   |  | 50       | 85       | mW                     |
| Transient Response (unity gain)<br>Risettime<br>Overshoot                       | $V_{in} = 20 \text{ mV}, R_L = 2 \text{ k}\Omega, C_L \leq 100 \text{ pF}$ | 0.3      | 0.3      | $\mu\text{s}$          |
|   |  | 5.0      | 5.0      | %                      |
| Slew Rate   | $R_L \geq 2 \text{ k}\Omega$   | 0.3      | 0.4      | $\text{V}/\mu\text{s}$ |
| <b>The Following Specifications Apply Over The Operating Temperature Ranges</b> |  |          |          |                        |
| Input Offset Voltage  | $R_S \leq 10 \text{ k}\Omega$  |          | 7.5      | 6.0                    |
| Input Offset Current  | $T_A(\text{max})$  | 9.0      | 300      | 7.0                    |
|   | $T_A(\text{min})$  | 35       | 300      | 85                     |
| Input Bias Current  | $T_A(\text{max})$  | 0.04     | 0.8      | 0.03                   |
|   | $T_A(\text{min})$  | 0.13     | 0.8      | 0.3                    |
| Input Voltage Range   |  | $\pm 12$ | $\pm 13$ | $\pm 12$               |
| Common Mode Rejection Ratio   | $R_S \leq 10 \text{ k}\Omega$  | 70       | 90       | 70                     |
| Supply Voltage Rejection Ratio  | $R_S \leq 10 \text{ k}\Omega$  | 30       | 150      | 30                     |
| Large-Signal Voltage Gain   | $R_L \geq 2 \text{ k}\Omega, V_{out} = \pm 10 \text{ V}$                   | 15       |          | 25                     |
| Output Voltage Swing  | $R_L \geq 10 \text{ k}\Omega$  | $\pm 12$ | $\pm 14$ | $\pm 12$               |
|   | $R_L \geq 2 \text{ k}\Omega$   | $\pm 10$ | $\pm 13$ | $\pm 10$               |
| Supply Current  | $T_A(\text{max})$  | 1.8      | 3.3      | 1.5                    |
|   | $T_A(\text{min})$  | 1.8      | 3.3      | 2.0                    |
| Power Consumption   | $T_A(\text{max})$  | 48       | 100      | 45                     |
|   | $T_A(\text{min})$  | 54       | 100      | 60                     |

Notes: 1. Derate Metal Can package at 6.8  $\text{mW}/^\circ\text{C}$  for operation at ambient temperatures above 75 $^\circ\text{C}$ , the Dual In-Line package at 9  $\text{mW}/^\circ\text{C}$  for operation at ambient temperatures above 95 $^\circ\text{C}$ , and the Flat Package at 5.4  $\text{mW}/^\circ\text{C}$  for operation at ambient temperatures above 67 $^\circ\text{C}$ .  
2. For supply voltages less than  $\pm 15\text{V}$ , the maximum input voltage is equal to the supply voltage.  
3. Short circuit may be to ground or either supply. Rating applies to  $\pm 125^\circ\text{C}$  case temperature or  $\pm 75^\circ\text{C}$  ambient temperature.

# Am101/201/301

## Operational Amplifiers

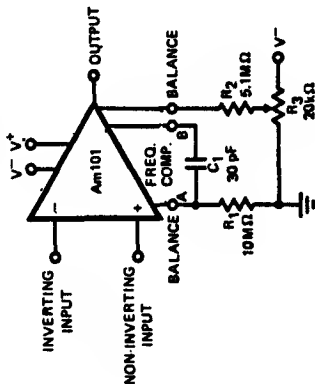
**Description:** The Am101/201/301 monolithic operational amplifiers are functionally, electrically and pin-for-pin equivalent to the National LM101, and LM201. They are available in the hermetic TO-99 metal can, dual-in-line packages, and flat packages.

**Distinctive Characteristics:** 100% reliability assurance testing including high-temperature bake, temperature cycling, centrifuge and fine leak hermeticity testing in compliance with MIL STD 883 Class B. Electrically tested and optically inspected dice for the assemblers of hybrid products.

### FUNCTIONAL DESCRIPTION

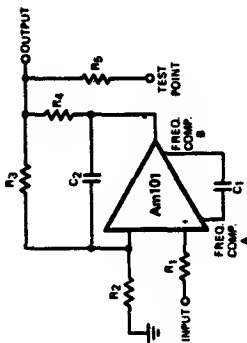
The Am101/201/301 are differential input, class AB output operational amplifiers. The inputs and outputs are protected against overload and the amplifiers may be frequency compensated with an external 30pF capacitor.

### FUNCTIONAL DIAGRAM



## APPLICATIONS

### INPUT/OUTPUT OVERLOAD PROTECTION



If an input is driven from a low-impedance source, a series resistor,  $R_1$ , should be used to limit the peak instantaneous output current of the source to less than 100 mA. A large capacitor ( $>0.1\mu\text{F}$ ) is equivalent to a low source impedance and should be protected against by an isolation resistor.

The amplifier output is protected against damage from shorts to ground or to the power supplies by device design. Protection of the output from voltages exceeding the specified operating power supplies can be obtained by isolating the output via limiting resistors  $R_4$  or  $R_5$ .

The power supplies must never become reversed, even under transient conditions. Reverse voltages as low as 1 volt can cause damage through excessive current. This hazard can be reduced by using clamp diodes of high peak current rating connected to the device supply lines.

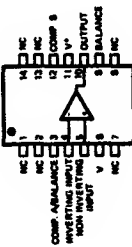
### ORDERING INFORMATION

| Part Number | Package Type | Temperature Range | Order Number |
|-------------|--------------|-------------------|--------------|
| Am301       | DIP          | 0°C to +70°C      | LM301D       |
|             | Metal Can    | 0°C to +70°C      | LM301H       |
|             | Dice         | 0°C to +70°C      | LD301        |
| Am201       | DIP          | -25°C to +80°C    | LM201D       |
|             | Metal Can    | -25°C to +80°C    | LM201H       |
| Am101       | DIP          | -55°C to +125°C   | LM101D       |
|             | Metal Can    | -55°C to +125°C   | LM101H       |
|             | Dice         | -55°C to +125°C   | LD101        |

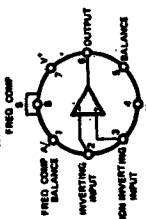
### CONNECTION DIAGRAMS

#### Top Views

##### Dual-In-Line



##### Metal Can



#### NOTES:

- (1) On Metal Can, pin 4 is connected to case.
- (2) On DIP, pin 6 is connected to bottom of package.
- (3) On Flat Package, pin 5 is connected to bottom of package.

##### Flat Package



# Index

|                             |     |                           |     |
|-----------------------------|-----|---------------------------|-----|
| <b>A</b>                    |     | Circuits, D/A             | 268 |
| AC coupled audio attenuator | 308 | inverting follower        | 73  |
| Active filters              | 114 | resistance                | 17  |
| A/D basics                  | 213 | Code conversion           | 196 |
| Alphanumeric codes          | 188 | ones complement           | 264 |
| Amplifier, DC differential  | 65  | Comparators               | 111 |
| differential                | 88  | Converter, DAC-08 A/D     | 296 |
| IC operational limitations  | 70  | 1408 D/A                  | 255 |
| inverting & noninverting    | 62  | PMI AD-02 A/D             | 279 |
| logarithmic                 | 111 | voltage to frequency      | 216 |
| Analog devices              | 296 | binary counter A/D        | 217 |
| outputs                     | 344 | software A/D              | 226 |
| ASCII                       | 190 | successive-approximation  | 221 |
| Attenuator, AC coupled      | 308 | Universal V/F—F/V         | 152 |
| Audio recorders             | 381 |                           |     |
| <b>B</b>                    |     | <b>D</b>                  |     |
| Bandpass function           | 150 | D/A basics                | 205 |
| Basics, A/D                 | 213 | circuits                  | 268 |
| D/A                         | 205 | DAC-05 A/D converter      | 296 |
| Baudot code                 | 188 | -06                       | 261 |
| Binary coded decimal        | 186 | -08                       | 255 |
| code, straight              | 177 | -20                       | 264 |
| code, straight offset       | 264 | -100                      | 266 |
| counter A/D converters      | 217 | -100/AM2502 designs       | 293 |
| Bonded strain gauges        | 17  | Data loggers              | 383 |
| Bridge, Wheatstone          | 19  | sampled                   | 202 |
| <b>C</b>                    |     | Datel ADC-EK series       | 303 |
| Calibration procedure       | 278 | MMD-8 analog multiplier   | 327 |
| Capacitance transducers     | 22  | MX series                 | 322 |
|                             |     | DC differential amplifier | 65  |
|                             |     | motors                    | 167 |
|                             |     | Design procedure          | 150 |
|                             |     | Dial pulse system         | 388 |

|                                 |          |                                |     |
|---------------------------------|----------|--------------------------------|-----|
| Differential amplifiers         | 88       | L                              |     |
| Differentiators                 | 104      |                                |     |
| Digital code position sensors   | 35       | Linearity                      | 26  |
| data                            | 381      | Logarithmic amplifiers         | 111 |
| multiplexer devices             | 330      | Loggers, data                  | 383 |
| Division & multiplication       | 182      | Low-pass function              | 150 |
|                                 |          | M                              |     |
| <b>E</b>                        |          |                                |     |
| EBCDIC                          | 193      | MC 14408 & MC 14409 devices    | 390 |
| Elementary Position transducers | 33       | 14559/MC1408 based             |     |
| E-type thermocouple             | 54       | designs                        | 288 |
| Excess 3 code                   | 187      | Methods, integration           | 213 |
| Excitation, transducer          | 29       | Modules, function              | 156 |
|                                 |          | multifunctional                | 155 |
| <b>F</b>                        |          | Motors, DC                     | 167 |
| Ferranti ZN425E                 | 233, 273 | Multifunctional module         | 155 |
| Filters, active                 | 114      | Multiple feedback path filters | 124 |
| multiple feedback path          | 124      | Multiplier, Datel MMD-8 analog | 327 |
| passive                         | 118      | & dividers                     | 113 |
| Flip-flops                      | 139      | Multiplication, four-quadrant  | 306 |
| Fluid pressure transducers      | 48       | two-quadrant                   | 306 |
| Followers, noninverting         | 79       | Multivibrators, one-shot       | 131 |
| Four-quadrant multiplication    | 306      |                                |     |
| Frequency response              | 27       | <b>N</b>                       |     |
| Function modules                | 156      | Noninverting followers         | 79  |
|                                 |          | Number system conversion       | 183 |
| <b>G</b>                        |          | Numeric displays               | 343 |
| Gauges, bonded strain           | 17       |                                |     |
| unbonded strain                 | 17       | <b>O</b>                       |     |
| Gray code                       | 187      | Octal & hexadecimal numbers    | 184 |
|                                 |          | Ones complement code           | 264 |
| <b>H</b>                        |          | One-shot multivibrators        | 131 |
| Highpass function               | 150      | 1408 D/A converter             | 255 |
| Hysteresis                      | 27       |                                |     |
|                                 |          | <b>P</b>                       |     |
| <b>I</b>                        |          | Parallel converters            | 216 |
| IC op amps-limitations          | 70       | Passive filters                | 118 |
| Inductive transducers           | 23       | PMI AD-02 A/D converter        | 279 |
| Integration methods             | 213      | MUX-88                         | 320 |
| Integrators                     | 100      | Precision                      | 27  |
| Inverting follower circuits     | 73       | monolithics DAC-08             | 234 |
| & noninverting amplifiers       | 62       | Procedure calibration          | 278 |
|                                 |          | <b>R</b>                       |     |
| <b>J</b>                        |          | Radiometric A/D conversion     | 308 |
| J-type thermocouple             | 54       | Resistance circuits            | 17  |
|                                 |          | RS-232 systems                 | 366 |
| <b>K</b>                        |          | <b>S</b>                       |     |
| K-type thermocouple             | 54       | Sampled data                   | 202 |
| Kirchoff's law method           | 63       | Sensitivity                    | 24  |
|                                 |          | Sensors, digital code position | 35  |

|                                     |     |                                     |     |
|-------------------------------------|-----|-------------------------------------|-----|
| 74100 latch                         | 137 | inductive                           | 23  |
| Short & long cycle operation        | 295 | nulling                             | 309 |
| Software A/D converters             | 226 | temperature                         | 52  |
| Straight binary code                | 177 | velocity & acceleration             | 43  |
| offset binary code                  | 264 | T-type thermocouple                 | 54  |
| Successive-Approximation converters | 221 | Twos complement operation           | 264 |
| System conversion, number           | 183 | Two-of-eight tone encoder           | 391 |
| dial pulse                          | 388 | Two-quadrant multiplication         | 306 |
| telephone                           | 356 |                                     |     |
|                                     |     | <b>U</b>                            |     |
| <b>T</b>                            |     | UART                                | 362 |
| Telephone system                    | 356 | Unbonded strain gauges              | 17  |
| Temperature transducers             | 52  | Universal V/F—F/V converter         | 152 |
| Thermocouple                        | 53  |                                     |     |
| Transducers                         | 15  | <b>V</b>                            |     |
| capacitance                         | 22  | Velocity & acceleration transducers | 43  |
| elementary position                 | 33  | Voltage to frequency converter      | 216 |
| excitation                          | 29  |                                     |     |
| fluid pressure                      | 48  | <b>W</b>                            |     |
| glossary                            | 26  | Weatsone bridge                     | 19  |

# Digital Interfacing With an Analog World

By Joseph J. Carr

Digital Interfacing With An Analog World Carr

Are you looking for ways to really put your microcomputer to work? This book tells you how to go about it—how to convert energy produced by pressure, force, position, temperature, etc. into an electrical voltage or current that your microcomputer can deal with. It's for the user who views the microcomputer as a bit of hardware to be applied, and who views software as either a simple set of instructions to make the machine go or, more importantly, as a valid substitute for hardware. It presents information, in handbook style, for users of microcomputers who want to design a device or system with a microcomputer at its heart.

It covers transducers and transduction, analog function modules and digital circuits, data transmission (including telephone interfacing and readout/display devices), data conversion, and digital codes. The largest single portion is devoted to digital data acquisition, since a digital computer can digest only data presented in a digital format.



Very simply, this book is for the microprocessor/computer user who wants to use the machine to measure certain conditions, or to control external devices. The information provided will allow you to examine and deal with interfacing problems with a more practiced and knowledgeable eye.

The author is a senior bioelectronics technician at the George Washington University Center, Washington, D.C.

## OTHER POPULAR TAB BOOKS OF INTEREST

- |  |   |
|--|---|
| <b>Op Amp Circuit Design &amp; Applications</b><br>(No. 787—\$6.95 paper; \$9.95 hard)             | <b>Basic Digital Electronics; Understanding Number Systems, Boolean Algebra &amp; Logic Circuits</b><br>(No. 728—\$4.95 paper; \$7.95 hard) |
| <b>Master Op-Amp Applications Handbook</b><br>(No. 856—\$9.95 paper; \$16.95 hard)                 | <b>Modern Guide to Digital Logic: Processors, Memories &amp; Interfaces</b><br>(No. 709—\$6.95 paper; \$9.95 hard)                          |
| <b>How to Design and Build Electronic Instrumentation</b><br>(No. 1012—\$9.95 paper; \$14.95 hard) | <b>Build-It Book of Optoelectronic Projects</b><br>(No. 935—\$5.95 paper; \$8.95 hard)  |
| <b>Master Handbook of Digital Logic Applications</b><br>(No. 874—\$7.95 paper; \$12.95 hard)       | <b>Solid-State Motor Controls</b><br>(No. 929—\$8.95 paper; \$12.95 hard)   |
| <b>Servicing Medical &amp; Bioelectronic Equipment</b><br>(No. 930—\$8.95 paper; \$10.95 hard)     | <b>88 Practical Op Amp Circuits You Can Build</b><br>(No. 912—\$4.95 paper; \$7.95 hard)  |
| <b>Modern Digital Communications</b><br>(No. 955—\$6.95 paper; \$10.95 hard)                       | <b>Optoelectronics Guidebook—With Tested Projects</b><br>(No. 836—\$5.95 paper; \$8.95 hard)  |
| <b>Display Electronics</b><br>(No. 861—\$5.95 paper; \$8.95 hard)                                  |   |
| <b>Build Your Own Working Robot</b><br>(No. 841—\$5.95 paper; \$8.95 hard)                         |   |

## TAB BOOKS

ALSO PUBLISHERS OF MODERN AUTOMOTIVE SERIES & MODERN AIRCRAFT SERIES  
BLUE RIDGE SUMMIT, PA. 17214

Distributed by:

W. FOULSHAM & CO. LTD.,

YEOVIL ROAD, SLOUGH, SL1 4JH ENGLAND

TAB BOOKS

1070