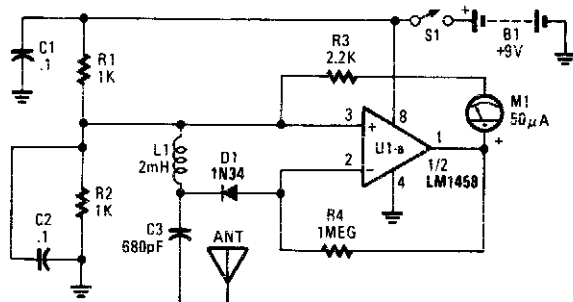


RF-FIELD DETECTOR



POPULAR ELECTRONICS

Fig. 24-8

This detector is a half-wave rectifier for RF, which then feeds an op amp. U1A acts as an amplifier, driving meter M1. This circuit can detect mW RF levels from below the AM broadcast band to well above the FM broadcast band.