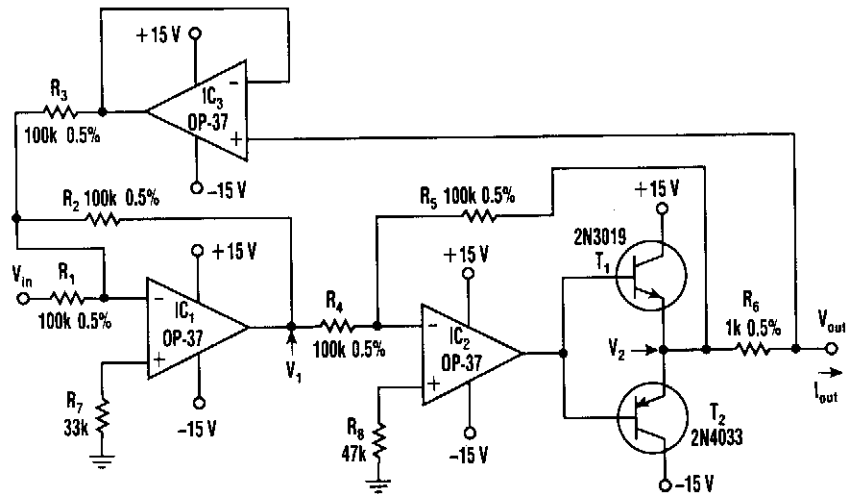


VOLTAGE-TO-CURRENT CONVERTER



ELECTRONIC DESIGN

Fig. 21-9

This voltage to current converter uses three op amps to drive a pair of power transistors. The current output is calculated as:

$$I_{OUT} = \frac{V_{in}}{R_6}$$

Output resistance is over 50 MΩ. I_{OUT} can range from 1 mA to the current ratings of T₁ and T₂.