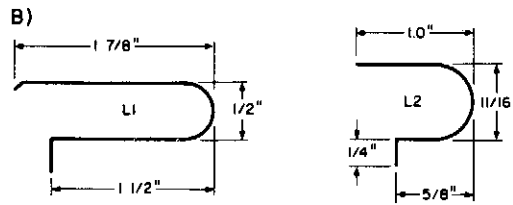
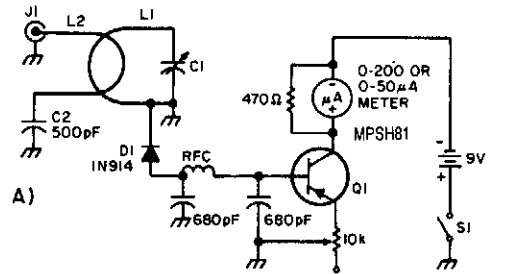


UHF FIELD-STRENGTH METER



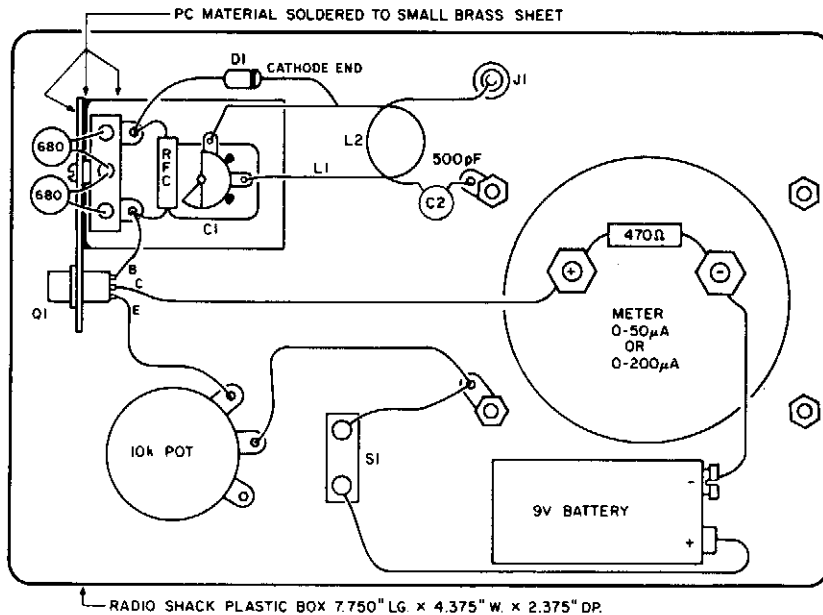
AMATEUR RADIO

3/8" WIDE BRASS

#14 BARE COPPER WIRE

Fig. 29-1(a)

Field strength meter schematic.



AMATEUR RADIO

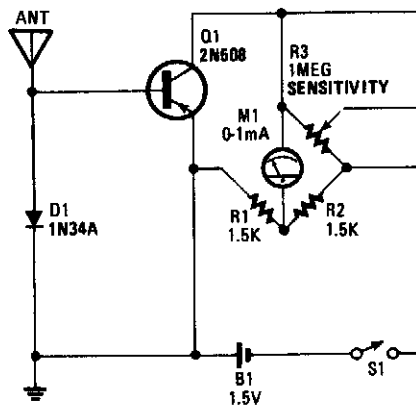
RADIO SHACK PLASTIC BOX 7.750" LG. x 4.375" W. x 2.375" DP.

Fig. 29-1(b)

Parts layout for the field strength meter.

Useful for transmitter or antenna alignment, this meter covers 400 to 500 MHz. An amplifier stage is included for improved sensitivity. Follow the layout in Fig. 29-1(b).

FIELD-STRENGTH METER

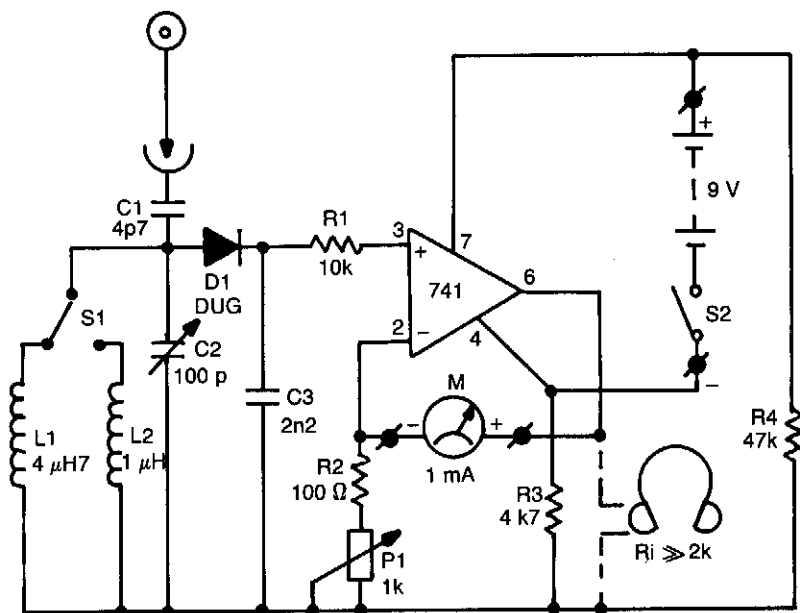


POPULAR ELECTRONICS

Fig. 29-2

This field-strength meter is basically a bridge circuit that is equipped with a 0-to-1-mA meter as a readout.

SIGNAL-STRENGTH METER



ELEKTOR ELECTRONICS

Fig. 29-3

This field-strength meter is useful for antenna testing. It covers 6 to 60 MHz and uses a rugged 0-to-1 mA meter. A 9-V battery supplies power. The unit can be mounted in a small plastic or metal case.