

Bob Parker's

ESR & Low Ohms Meter

'Gooday' from Sydney, Australia!!



**Available from..
Dick Smith Electronics**

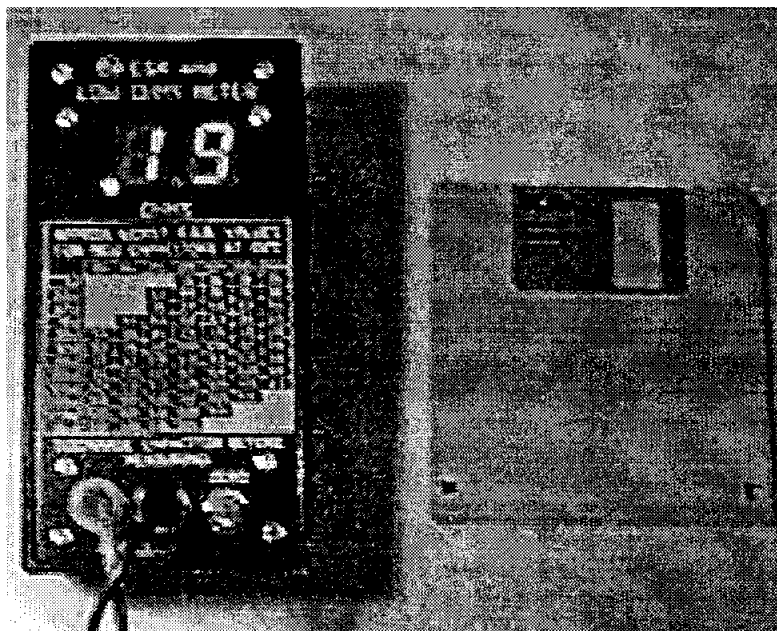


IN AUSTRALIA

This Package Includes

**ESR Meter Home Page
ESR HINTS**

**ESR Construction Manual
Ordering Information
And More.....**



The electrolytic cap ESR problem, and this meter...

Intro

===

If you repair switch mode power supplies, TV receivers, computer monitors or similar equipment, and/or if you need to measure very low values of resistance, this little test instrument is designed to save you lots of time and aggravation, as it has for me! It's a compact, easy to use digital meter which lets you quickly and easily identify dead and sick electrolytic capacitors in circuit. It can also measure resistances as low as 0.01 ohms.

Ailing Electrolytics...

=====

I don't think it's an exaggeration to say that in the last few years a kind of electronic epidemic has been taking place:

Electrolytic capacitors used mainly for high-frequency filtering and bypassing in switch mode power supplies (SMPSs), the deflection circuitry of TVs and monitors, and similar applications have been failing at an increasing rate, and causing all sorts of trouble.

Typical symptoms of electrolytic capacitor failure I've encountered are: the playback picture of VCRs beginning to disappear behind a curtain of tiny dots, or the system microcontroller continuously resetting with accompanying beeps, right up to 'hiccuping' and mysterious self-destruction of SMPSs, involving the destruction of many expensive semiconductors.

For example, National Panasonic NV-G20A and NV-H65A VCRs (Australian models) and their relatives are notorious for problems and failures due to the electrolytics in their hot-running SMPSs giving up the ghost. I've seen the digital display of an electronic cash register flickering and sometimes disappearing, and TV pictures becoming distorted or spoiled by the appearance of flashing Teletext lines (digital signals) at the top, and in each case the problem was tracked down to defective electrolytic capacitors.

Testing Times

=====

As a service technician (reluctantly- I'd much rather be a full-time designer!), I was just-about tearing my hair out because of the difficulty involved in identifying faulty electrolytic capacitors, and proving which ones were still OK, in SMPSs and other equipment. My primary technique was to gingerly poke around with an oscilloscope's probe in live circuitry, often full of components at mains (it's 240V in Australia!) or other dangerous voltages, looking for high ripple voltages and/or abnormal waveforms. And all the time keeping an eye on the probe's ground lead clip to make sure it didn't get loose and touch something expensive!

When it was physically impossible to make measurements under operating conditions and I suspected defective electrolytics, I didn't have much choice but to replace every electrolytic in the problem area of the circuit. The first method causes high adrenalin levels, while the second wastes time and money!

High ESR is the problem!

=====

I figured there HAD to be a better way! Over a period of months I collected a bag full of electrolytics from SMPSs which had returned to normal operation with new capacitors, then I did some careful tests on them.

Most obviously, none of them had significant electrical leakage. Perhaps surprisingly, a digital capacitance meter indicated that although some of them were a bit below their rated value, most were still within the normal value tolerance for electrolytics, of about -20 to +50%.

The real fault with many of these electros was not so much that their capacitance had dropped (as many people assume), but their Equivalent Series Resistance (ESR) had risen to a high value, seriously degrading their effectiveness as filtering, bypassing and coupling components.

ESR...?

=====

So what exactly is an electrolytic capacitor's Equivalent Series Resistance, and why is it so important to the correct operation of associated circuitry?

As you probably know, electrolytics are 'wet' devices in the sense that their operation depends on a water-based electrolyte, soaked into a strip of porous material between the alumin(i)um foil plates. This completes the 'outer' electrical connection to the alumin(i)um oxide dielectric, which coats the anode foil. Unhappily this layer of electrolyte has electrical resistance which, along with the (negligible) resistance of the connecting leads and alumin(i)um foil plates, forms the capacitor's Equivalent Series Resistance.

Under normal conditions the ESR has a very low value which stays that way for many years unless the rubber seal is defective, in which case the electrolyte's water component gradually dries out and the ESR creeps up with time.

Deterioration Acceleration

=====

But if an electro is subjected to high temperatures, especially from heat generated internally by large ripple currents, the electrolyte will start to decompose and the dielectric may deteriorate, causing the ESR to increase far more rapidly. To make things worse, as the ESR increases, so does the amount of internal heating caused by ripple current. This can lead to an upward spiral in the capacitor's core temperature, and the electrolyte actually boiling. In fact the service life of electrolytic capacitors is approximately halved for every 10 degrees C increase in temperature, and I was very surprised to learn that many electrolytics are designed for a reliable operating life of only a few thousand hours at their maximum rated temperature and ripple current. (Remember that a single year is 8,766 hours!) SMPSs place some of the most severe stresses on filter capacitors. Because of their compact construction, temperatures are high (that's why your PC's power supply is equipped with a fan), and

the capacitors are subjected to large amounts of high-frequency ripple current.

Effects of ESR

=====

Regardless of a capacitor's actual capacitance value, ripple current flowing through its equivalent series resistance causes an AC ripple voltage to be superimposed on its DC voltage, and as the ESR increases, so does the amplitude of the ripple voltage. Low capacitor ESR is crucial to the correct operation and regulation of SMPSs in particular, and filter capacitors with high ESR can allow high frequency noise to escape and find its way into all sorts of signal processing circuitry.

ESR meters unavailable?

=====

Knowing that I badly needed an instrument to measure the ESR of electrolytics, preferably while they were still in circuit and with the power safely turned off, I explored the catalogs here in Australia for such a device. Although I succeeded in finding a large variety of transistor testers and even a crystal checker, I found absolutely nothing to measure what I wanted (which seemed strange because electrolytics fail far more frequently than transistors and crystals put together!) Eventually I accepted that I was going to have to design my own ESR meter from scratch, incorporating all the features I'd like it to have, and this project is the final result of all my subsequent efforts!

Microcontroller-based

=====

After a few fairly unsuccessful attempts at designing an ESR meter around analog circuitry, I realized that this was an ideal application to take advantage of the speed and versatility of a Zilog Z86E0408 microcontroller, using a simple pulsed measurement technique. The Z86E0408 already has two comparators and two flexible counter/timers built in, so all I additionally needed to complete a full-featured ESR meter with digital readout was one cheap CMOS IC, a 5V regulator, a couple of dollars worth of transistors, and a handful of passive components. But of course the complex part of the design is hidden away in the microcontroller's software!

Features

=====

All the circuitry is contained on a single PCB, bolted to the lid of a compact 'Jiffy box', which it shares with a 9V alkaline battery. This instrument has three ESR ranges: 0 to 0.99 ohm (0.01 ohm resolution), 0 to 9.9 ohms (0.1 ohm resolution), and 0 to 99 ohms (1 ohm resolution). The micro always selects the most appropriate range automatically, so your hands are free to hold the test leads on the electro under suspicion. A single '-' on the left-hand display indicates a reading in excess of 99 ohms, and the accuracy of the prototypes was better than 5% of displayed reading, +/- one digit.

Readout is on two big 0.5 inch (12.7mm) seven-segment LED displays plus two 3mm decimal point LEDs, needed because the decimal points of the displays are on the wrong side for this application. Besides, 3mm decimal points are very hard to overlook, even after a long day's servicing!

Auto switch off

=====

If you forget to turn the power off, the micro itself will do it for you when the displayed reading has remained the same for two minutes. But since this circuit can be powered by a plugpack (DC power supply), and automatic switchoff then would be more of a nuisance than a help, this feature can be disabled.

Low battery warning

=====

When the battery voltage is nearly too low for the 5V regulator to function correctly, the micro 'latches' into a 'low battery' mode until the power is switched off. During this time the power to the LED displays is reduced by 50% to minimize the battery load and give you a bit more operating time, while a 'b' flashes on the right-hand LED display once per second in the 'off-scale' condition, to warn you to look for a new battery.

Operation

=====

Using the ESR and Low Ohms Meter couldn't be much simpler: The single push button has three functions: one press turns the power on, and another press will switch it off again if the measured resistance is one ohm or more. A push of the button with the leads shorted together will cause their resistance value to be subtracted from all subsequent readings, as long it's less than 1 ohm.

Then all you need to do is make sure the electrolytic under test is discharged (I find a 100 ohm 5W resistor does this well), and connect the test leads to it either way around, as the meter doesn't output a DC voltage. If your capacitor is still in circuit (with the power OFF!), you're likely to get quite an accurate reading because it should be the component with the far lowest high-frequency impedance, which is what this meter is looking for. Due to the timing of the measurement pulses, any small non-electrolytic bypass capacitors in parallel with the one you're measuring will have little effect on the accuracy of the reading. The test signal coming from the circuit has a peak open-circuit voltage of 600mV (maximum 100mV probe-tip peak at full-scale reading), so it won't make diodes or transistors conduct and cause erroneous readings.

The front panel table

=====

Once you have a reading, refer to the front-panel table to get an idea of whether your electrolytic's ESR is about normal or above it. The approximate worst ESR figures on the table were taken from the Nippon Chemi-Con Aluminum Electrolytic Capacitors Catalog Number 4, for their 'SXE', 'SXG' and 'LXA' capacitor series. They're actually 100KHz impedance figures, but I've measured the ESRs of lots of new electros of assorted brands, styles, sizes and ages, and the readings I obtained agree pretty closely with them. Due to limited space, the table only lists a broad 'sprinkling' of capacitances and voltages, but it will enable you to estimate whether the ESR of an unlisted capacitor is acceptable or excessive.... From my experience when doing actual fault-finding with the prototypes, an electro's ESR needs to be many times the table value before it's likely to cause problems.

Low ohms uses

=====

During development of this little instrument, it quickly became obvious that it's very handy for

measuring low values of resistance, too. The only catch is that because this meter uses a pulsed measurement technique, it can't give you a sensible indication of the DC resistance of inductive components such as transformer windings or chokes. I've already used it to 'roll my own' low value resistors by simply measuring off the required number of (milli) ohms of resistance wire, which I then formed into a spiral by wrapping it around the shank of a drill. Very convenient if you need to replace a burnt-up 0.33 ohm 2W power amplifier emitter resistor on a Sunday evening!

You can also use it to locate short circuits on printed circuit boards by measuring the actual track resistance. If the reading increases as you probe further along the track, you know you're going in the wrong direction! This technique is a bit more civilized than locating shorted components by connecting a high-current power supply to a PCB's power tracks to see what catches fire and/or explodes (or simply goes open-circuit so you can't find it)! You could also use it to confirm solid continuity of the power lead earth conductor on mains-operated equipment, etc etc....

Don'ts

=====

There are a few minor points to keep in mind when using this meter....

First, it's quite useless for identifying leaky and short-circuited capacitors; that's what the resistance ranges of normal multimeters are for!

Also, avoid using those self-retracting spiral-wound test leads, as their inductance can cause small measurement errors.

Lastly, don't use it right next to an operating TV set or computer monitor because the high amplitude pulses radiated by the horizontal output stage can be picked up by the test leads (and the person holding them!) and cause unstable readings.

ESR & Low Ohms Meter Page



Sorry, test leads and battery are not included in the kit!
(You don't get a floppy disk either)

Brief Specifications

Measurement range: 0.01 to 99 ohms, auto-ranging

Peak probe-tip voltage @ full scale: 100mV

Update speed: 4 readings/second

Power supply: Internal 9V alkaline battery or external 9V DC

Controls: Single push button for power on/off and zero

Features

- * Tests electrolytics in-circuit, & test leads are non-polarized
- * Test lead resistance compensation
- * Automatic power off when reading is unchanged for 2 minutes
- * Low battery voltage warning ('b' flashes on right-hand digit)
- * Big, easy to read 0.5 inch LED displays
- * Table of typical good capacitor ESRs on the front panel

[Click here for my writeup on the ESR problem, and the story of this meter](#)

Important Ordering Information- please read carefully!

This meter is available as a kit from two companies 'down under' in Australia. The one with the lowest price and an e-mail address is Dick Smith Electronics (DSE), a very large retail company with stores right across Australia and New Zealand. Their catalog number for this kit is **K-7204**, and after processing your order it should arrive in less than 10 days, usually about a week.

In the interests of security for their customers, DSE will only accept payment for this kit by (1) Faxing your credit card details to them, or (2) Telegraphic funds transfer from your bank to their bank: **Chase Manhattan Bank in Sydney Australia, account number 01 001 2662**. It can take 1 to 4 days for the funds transfer to be completed before your kit is dispatched, and please ask *your bank, not DSE*, for information on how to do it.

Late news!!!

The Australian dollar has been dropping dramatically relative to the US dollar for the last few weeks, so the price of the kits will be up to 20% lower than the prices shown below and on the order form! Typically a single kit will cost you less than US\$40.00 including postage.

Dick Smith Electronics has had an overwhelming demand due to these lower prices, so please expect a delay of about 10 days (to the USA) from the date you place your order.

Pricing...

The normal wholesale prices for these kits are:

1-4 kits: \$US40.00 + \$US6.50 air freight

5-9 kits: \$US35.00 each + \$US9.85 air freight

10+ kits: \$US28.00 each + \$US15.00 air freight
(20 or more kits- please inquire for air freight price)

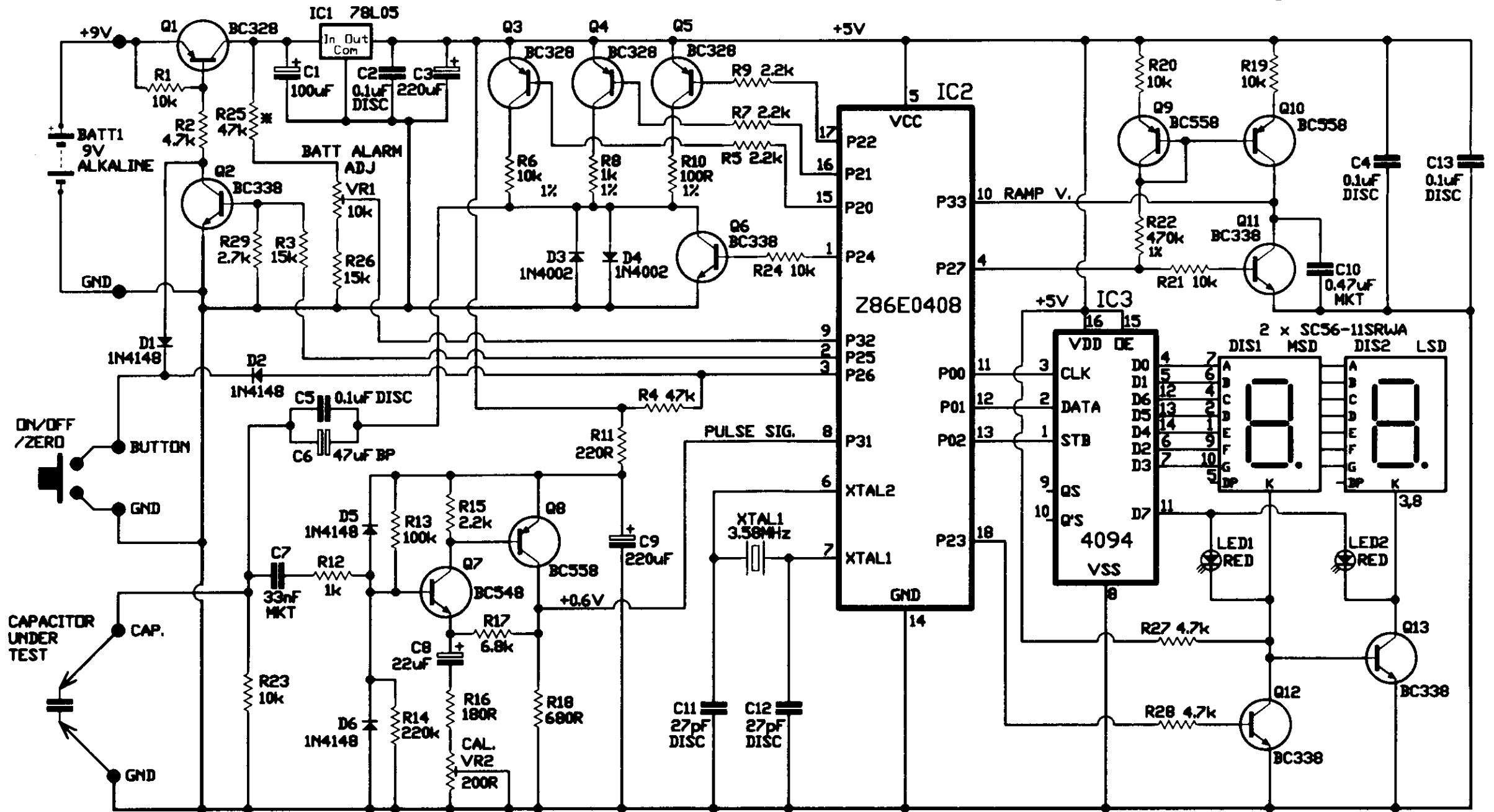
Important Note! When you get your receipt, the kit price will be shown in **Australian dollars (AUD)**. What you *really* pay in ***US*** dollars will be the prices shown above.

Please write your business or company name on the 'Trading Name' line of the order form, e.g. '*Jack Frost, Electronics Technician*'.

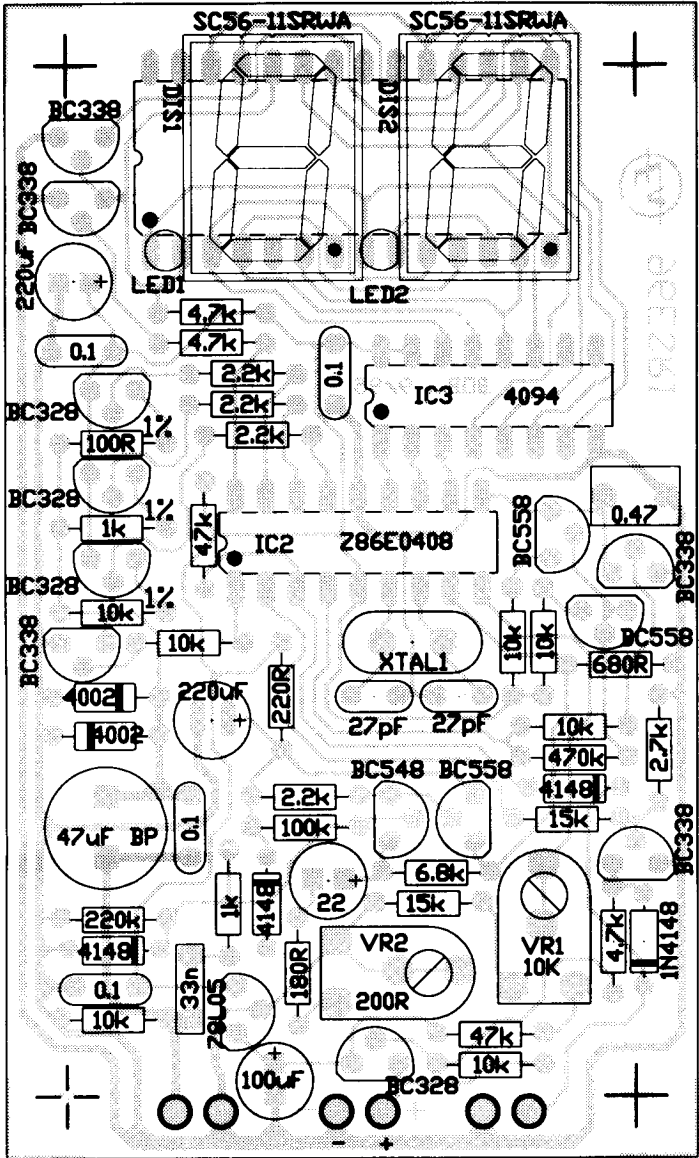
Now you know the prices and how to pay for this kit, **download an order form** to print out, fill in and fax to Dick Smith Electronics.

If you have questions which I haven't already answered, you can send an **e-mail** to Dick Smith Electronics.

* SEE TEXT



The schematic may look a little complicated, but the circuit is actually quite elegant. Everything is under the control of IC2, a low cost microcontroller. As well as auto ranging, it also compensates for test lead resistance.



CAP DN TEST

BATT

BUTTON

Assembly Manual

ESR & Low Ohms Meter

K-7204

Reproduced in part by arrangement with Electronics Australia, from their February 1996 edition.

Please read Disclaimer carefully as we can only guarantee parts not the labour content you provide.



If you repair switch-mode power supplies, TV receivers, computer monitors, vintage radios, or similar equipment, and/or if you need to measure very low values of resistance, this project can save you lots of time and aggravation - as it has for me. It measures an aspect of electrolytic capacitor performance which is very important, but normally very difficult to check: the equivalent series resistance, or 'ESR'.

Some wise person once said, "The reliability of any piece of electronic equipment is inversely proportional to the number of electrolytic capacitors in it", and I doubt that many service technicians would disagree!

Especially now that switch-mode power supplies (SMPSs) have been commonly used in domestic VCRs and TVs, etc for a decade or so, one of the most likely components to fail is the humble electrolytic. The symptoms can be as diverse as a VCR's playback picture swimming in tiny dots, up to SMPSs mysteriously self-destructing.

As a service technician myself (though I'd prefer to be a full-time designer!), I was just about tearing my hair out because of the difficulty in determining which electros were faulty and which ones were still OK, in SMPSs and other equipment. I wanted to be able to check electros in circuit, with the power safely disconnected.

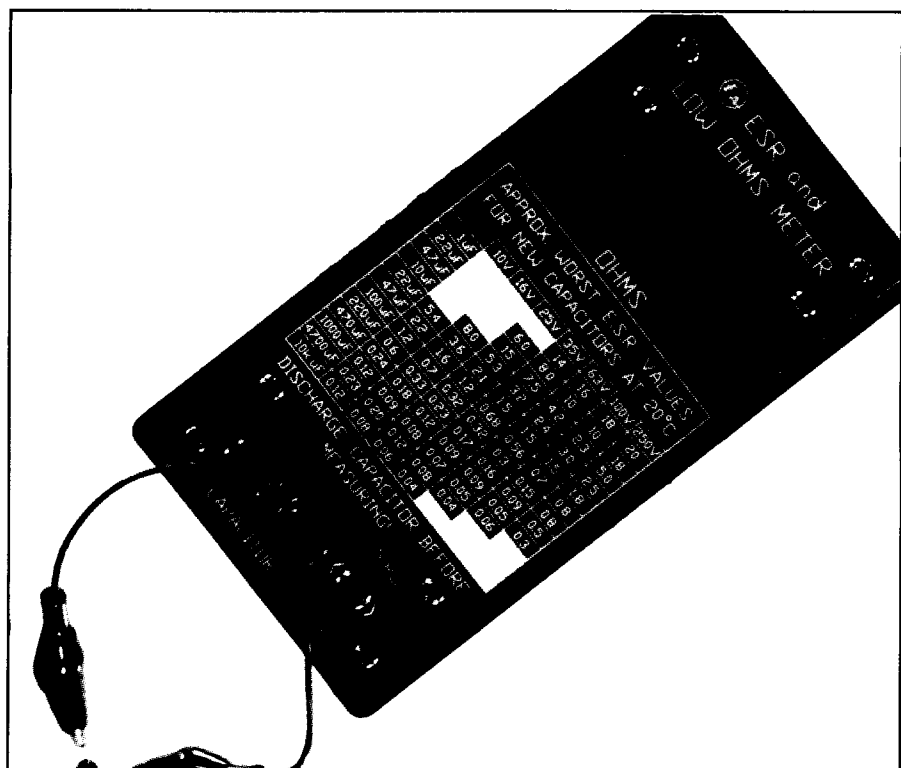
Why not use a readily-available capacitance meter? Because when electros go faulty, they normally don't lose their capacitance significantly (as many technicians assume they do). Rather their equivalent series resistance (ESR) 'goes through the roof'. Capacitance meters don't tell you this;

about the best they can do is give a low reading if the electro is nearly open circuit.

About ESR...

So what exactly is an electrolytic's equivalent series resistance?

Electrolytics depend on a water-based electrolyte, soaked into a strip of porous material between the aluminium foil plates, to complete the 'outer' electrical connection to the aluminium oxide dielectric coating on the anode foil.



The electrolyte has electrical resistance which, along with the (negligible) resistance of the connecting leads and aluminium foil plates, forms the capacitor's equivalent series resistance.

Normally the ESR has a very low value, which stays that way for many years unless the rubber seal is defective. Then the electrolyte's water component gradually dries out and the ESR creeps up with time. The electro gradually acts more and more like a capacitor with its own internal series resistor...

Heat makes it worse

If an electro is subjected to high temperatures, especially from heat generated internally as a result of large ripple currents, the electrolyte will start to decompose and the dielectric may deteriorate - and the ESR will increase far more rapidly.

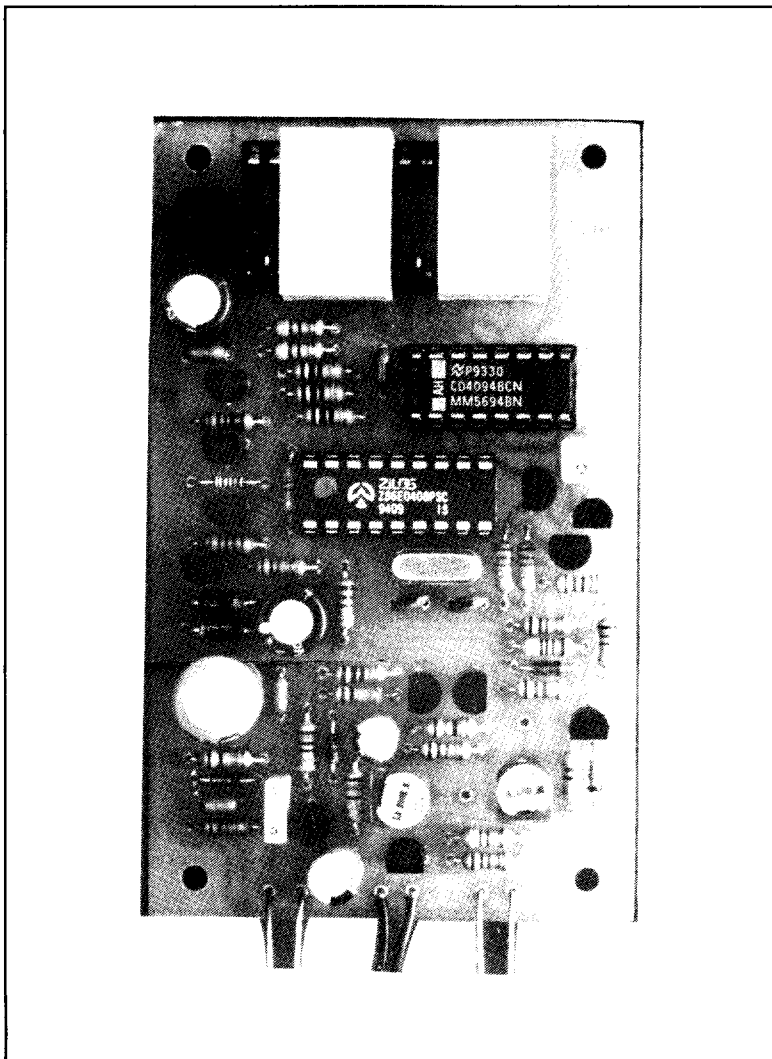
To make things worse, as the ESR increases, so does the internal heating caused by ripple current. This can lead to an upward spiral in the capacitor's core temperature, followed by complete failure - sometimes even explosive!

The service life of electros is approximately halved for every 10°C increase in temperature and, surprisingly, many are designed for a reliable operating life of only a few thousand hours at their maximum rated temperature and ripple current. (A year is only 8766 hours!)

Switch-mode power supplies place quite severe stresses on filter capacitors. Because of their compact construction, temperatures are high (that's why your PC's power supply is equipped with a fan), and the capacitors have to endure large ripple currents.

Micro-based ESR meter

Necessity is supposed to be 'the mother of invention', but desperation works even better and I designed this ESR meter from scratch. It's based on a versatile Zilog Z86E0408



A close up view of the ESR meter PCB, showing the position and orientation of all the parts - except the test leads jacks, push button and battery. Note that the LED displays and decimal point LEDs are mounted via a 28-pin IC socket.

microcontroller - which already has two voltage comparators and two flexible counter/timers built in, greatly simplifying the rest of the circuit. A micro also allows the easy incorporation of some 'user-friendly' features...

This instrument has three ESR ranges, with full-scale readings to 0.99Ω, 9.9Ω and 99Ω respectively. The range is automatically selected by the micro, so your hands are free to hold the test leads. The accuracy of the prototypes was better than +/-5% of displayed reading, +/-1 digit. A single '-' on the left-hand display indicates a reading above 99Ω.

The readout is on two 0.5" (13mm) seven-segment LED displays, plus two 3mm decimal point LEDs which are needed because the display decimal points are on the wrong side for this application.

If you forget to turn the power off, the micro will do it for you when the displayed reading has remained the same for two minutes. This feature can be disabled for uninterrupted operation

from a 9V optional plugpack.

When the battery voltage is nearly too low for the circuit's 5V regulator to function correctly, the Z86 reduces the power to the LED displays and flashes a 'b' on the right-hand one in the 'off-scale' condition, to warn you to look for a new battery

Meter operation

There's a single pushbutton, which has three functions: one press turns the power on, and another press will switch it off again if the measured resistance is 1Ω or more.

A push of the button with the leads shorted together will cause their resistance value to be subtracted from all subsequent readings, as long it's less than 1Ω.

Before making a measurement on an electrolytic, first discharge it. I find a 100Ω 5W does this well. Then connect the test leads - either way around. If your

capacitor is still in circuit (with the power OFF!), you're likely to get quite an accurate reading, because it should be the component with by far the lowest high-frequency impedance.

The circuit's test signal has a peak open-circuit voltage of 600mV (maximum 100mV peak at full-scale reading), so it won't make diodes or transistors conduct and cause measurement errors. Compare the reading you get with the front-panel table, to get an idea of whether the electro's ESR is about normal or significantly above it.

The table's approximate 'worst ESR' figures were taken from the Nippon Chemi-Con Aluminum Electrolytic Capacitors Catalog Number 4, as 100kHz impedance figures for their 'SXE', 'SXG' and 'LXA' capacitor series. They agree pretty closely with my own measurements of many new electros of assorted brands, styles, sizes and ages.

From my actual faultfinding experience with the prototypes, an

electro's ESR needs to be many times the table value before it's likely to cause trouble.

Low ohms uses`

The instrument is very handy for measuring low values of resistance, too. But note that because it makes an AC measurement, it can't give a sensible indication of the DC resistance of inductive components, such as transformer windings or chokes.

I've used it to 'roll my own' low value resistors, by measuring off the required number of (milli) ohms of DSE catalog number W-3200 resistance wire, which I then formed into a spiral by wrapping it around a drill shank.

It can also locate short circuits on PCB boards, by measuring actual track resistances. If the reading increases as you probe further along the track, you know you're going in the wrong direction!

You could also use it to confirm solid continuity of mains lead earth conductors, etc, etc...

What NOT to do

There are a few minor points to keep in mind, when using the meter. First, it can't identify leaky or short-circuited capacitors - that's what the resistance ranges of normal multimeters are for! Also, avoid using self-retracting 'curly' test leads, because their inductance can cause small measurement errors.

Lastly, don't use the meter right next to an operating TV set or computer monitor - the high amplitude pulses radiated by the horizontal output stage can be picked up by the test leads and cause unstable readings.

The circuit

Now let's have a brief look at how it all works, by reference to the schematic.

A push of the button switches on Q1, supplying +9V to IC1, the 5V regulator. Once the Z86E0408 microcontroller ('Z86' for short) starts up, it forward biases Q2. This holds Q1 on, maintaining the 5V supply after you release the button.

The displays are driven by IC3, an eight bit serial-in parallel-out shift register. IC3's outputs are connected to both seven segment displays and the decimal point LEDs in parallel. Cathode driver transistors Q12 and Q13 are configured so that only one display and its decimal point LED can illuminate at a time, under control of the Z86's pin 18.

Every 5ms the Z86 serially updates

the segment and decimal point data in IC3, and swaps displays; at this speed it appears both displays are continuously illuminated.

The Z86 starts a measurement by grounding its pin 4, switching on current mirror transistors Q9 and Q10 and causing C10 to begin charging at a constant rate. Under control of its firmware, the Z86 drives Q3, 4 or 5 to apply short current pulses of 0.5, 5 or 50mA, via C5/6, to the capacitor being tested. The resulting voltage pulses, proportional to the electro's ESR, are amplified by Q7 and Q8 (no relation to the one in the Persian Gulf!), and compared with C10's voltage. Q6 functions as a ground reference switch.

A simple time measurement allows the Z86 to determine the amplitude of the voltage pulses and so the capacitor's ESR. At the end of each measurement, Q11 is used to discharge C10.

Then the Z86 subtracts the test lead resistance (if it's been zeroed), and displays the value.

Now for the 'frills'...

Battery voltage check: The Z86 regularly allows C10 to charge to 2V. If the battery voltage sample on VR1's wiper (fed in via pin 9) drops below this 2V level, the 'battery low' warning condition is triggered.

Protection: Sooner or later this meter will find itself connected to an unexpectedly charged capacitor (or worse), so some protection has been built in. D3, D4, D5 and D6 are strategically placed to prevent destructive voltages from finding their way back to the microcontroller; D4 also limits the test voltage to 0.6V peak.

The rest: When the Z86 detects the button is pushed while measuring a resistance of one ohm or more, it switches off Q2 and displays questions marks until your finger leaves the button. Then Q1 switches off the battery supply.

Crystal XTAL1, C11 and C12 complete the Z86's clock oscillator, which provides the timing for all the meter's operations.

Construction

As the photos show, every component except the pushbutton is mounted on a 57 x 95mm PC board, coded ZA1245 (96ESR1).

Before fitting any components to the PCB, first illuminate its component side with a bright light, and examine the copper side carefully for fine track breaks and especially whiskers or bridges - particularly where tracks pass

between IC socket pads.

If you're planning to run the ESR & Low Ohms Meter from a optional (not supplied) 9V plugpack, leave R25 (47k) off the PCB. This will disable the two minute automatic switchoff function, and also the low battery warning...

When you're soldering the components to the PCB, using the overlay diagram as a guide, bear in mind that the PCB is tightly packed and the solder pads are small. The last thing this circuit needs is solder bridges and bad joints.

Begin installing the components, starting with the lowest-height ones (resistors and diodes), and working your way up to the tall ones. Note that the displays and LEDs are mounted on a 28-pin IC socket, not soldered directly to the PCB!

It's a good idea to double-check, especially at the beginning, that you're putting each component's leads into its correct holes. They're rather closely-spaced...

Take care with the orientation of the polarised components, and make sure the different transistor types and IC1 all go in their correct places. Don't install the socketed parts just yet, though.

When everything's on the PCB, once again illuminate it from the top, and check for and correct any solder bridges or other problems.

Making a display

Next study the display area in the photo of the PCB. Then, keeping the cathode (short) leads of the decimal point LEDs to the right, cut the leads down to about 9mm long. Use long-nose pliers to 'dog-leg' the leads about 3mm from the ends, so the LEDs will be about level with the bottom of the seven-segment displays when installed.

Push the LEDs into their places in the 28-pin socket, followed by the seven-segment displays themselves, ensuring their decimal points are at the bottom, and they are properly seated.

First test

Solder the battery snap leads to their pads, making certain their polarity is correct, and solder long component lead offcuts to the 'capacitor' and 'button' pads. Temporarily solder the pushbutton to the ends of its leads, then turn VR1 fully clockwise, and set VR2 to mid-range.

Using alligator clip leads or similar, connect a variable DC power supply set for 9V (and preferably with about 50mA

current limiting) to the battery snap terminals. Make sure the positive lead goes to the clip, and the negative to the stud. You can use another battery snap to make the connection, but remember that its black lead will be the positive one!

Hold the button down and check that pin 5 of IC2's socket and pin 16 of IC3's socket have +5V on them, relative to the power supply negative. If they have, discharge any static electricity by touching something earthed, then install IC2 and IC3 in their sockets and double-check their orientation.

Push the button for a second or so, and you should see 'EA' flash on the displays for a moment, followed by a single '-' on the left-hand one. If not, carefully recheck the PCB and its soldering and component placement, until you find the problem.

Now short the 'capacitor' leads, and the display should indicate a resistance of around .03 ohms. Push the button again and this should change to '.00', possibly with the least significant digit hesitating between 0 and 1.

Calibration

Connect a resistor of known accuracy of around 68 to 82 ohms to the 'capacitor' leads, and adjust VR2 for a correct reading. Now try a resistor in the range of 1 to 9 ohms, and check that the meter reads close to the correct value.

Battery Warning: Skip this bit if you disabled the automatic switchoff

Parts list

Resistors

(All 0.25W 5% unless noted)

R1,19,20,21,23,24	10k
R2,27,28	4.7k
R3,26	15k
R4,25	47k
R5,7,9,15	2.2k
R6	10k 1% M/F
R8	1k 1% M/F
R10	100Ω 1% M/F
R11	220Ω
R12	1k
R13	100k
R14	220k
R16	180Ω
R17	6.8k
R18	680Ω
R22	470k 1% M/F
R29	2.7k
VR1	10k hor. trimpot
VR2	200Ω hor. trimpot

4-band 5%

brn-blk-org-gld
yel-vio-red-gld
brn-grn-org-gld
yel-vio-org-gld
red-red-red-gld
brn-blk-org-brn
brn-blk-red-brn
brn-blk-brn-brn
red-red-brn-brn
brn-blk-red-gld
brn-blk-yel-gld
red-red-yel-gld
brn-gry-brn-gld
blu-gry-red-gld
blu-gry-brn-gld
yel-vio-yel-brn
red-vio-red-gld

5-band 1%

brn-blk-blk-red-brn
yel-vio-blk-brn-brn
brn-grn-blk-red-brn
yel-vio-blk-red-brn
red-red-blk-brn-brn
brn-blk-blk-red-brn
brn-blk-blk-brn-brn
red-red-blk-blk-brn
brn-blk-blk-brn-brn
brn-blk-blk-org-brn
red-red-blk-org-brn
brn-gry-blk-blk-brn
blu-gry-blk-brn-brn
blu-gry-blk-blk-brn
yel-vio-blk-org-brn
red-vio-blk-brn-brn

Capacitors

C1	100uF 16/25VW RB electrolytic
C2,4,5,13	0.1uF/100n/104 50VW disc/monolithic
C3,9	220uF 16/25VW RB electrolytic
C6	47uF 50VW bipolar RB electrolytic
C7	33nF/0.033uF/333 63/100VW
C8	22uF16/25VW RB electrolytic
C10	0.47uF/470n/474 63/100VW MKT
C11,12	27pF 50V NPO disc ceramic

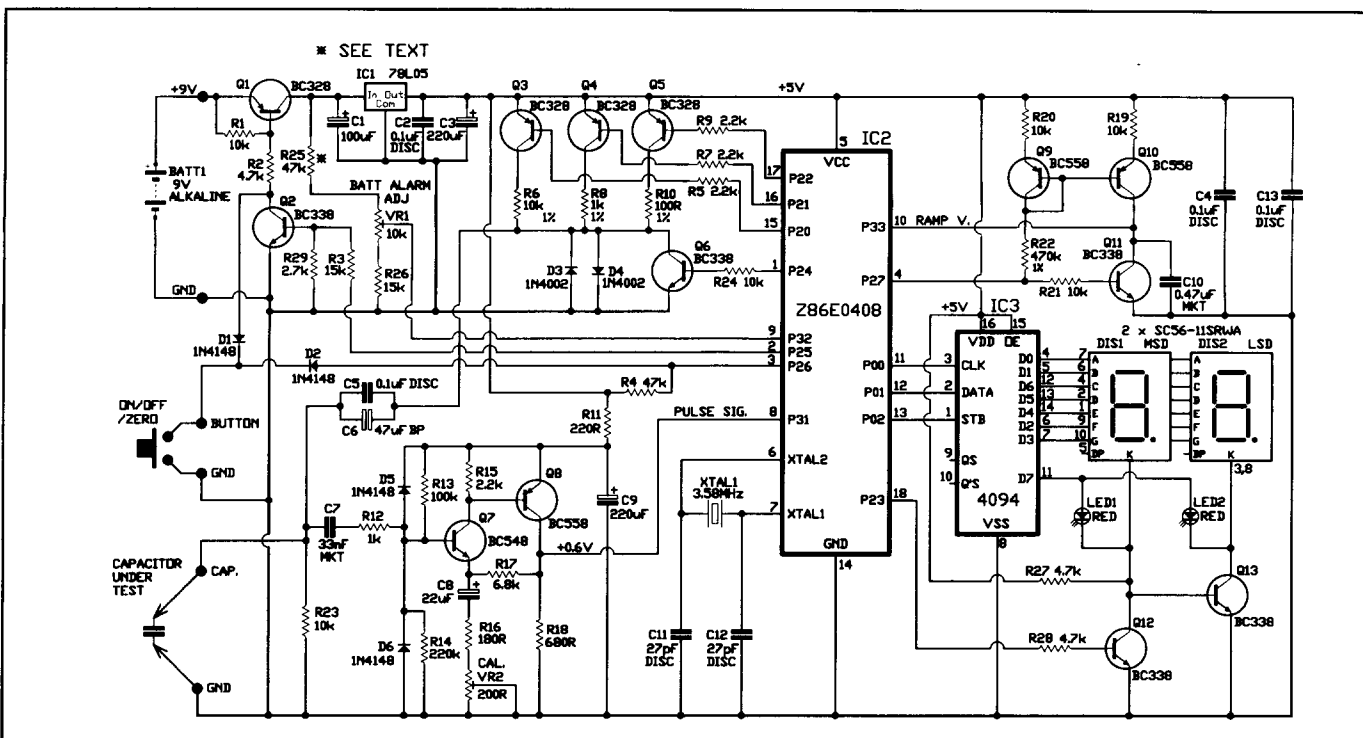
Semiconductors

D1,2,5,6	1N4148/1N914 etc signal diode
D3,4	1N4002/4 etc power diode
Q1,3,4,5	BC328 PNP transistor
Q2,6,11,12,13	BC338 NPN transistor

Q7	BC548 NPN transistor
Q8,9,10	BC558 PNP transistor
IC1	78L05 voltage regulator
IC2	Z86E0408 microcontroller (with custom firmware)
IC3	4094 CMOS shift register
DIS1,2	Seven-segment LED displays (see text)
LED1,2	3mm LEDs (see text)

Miscellaneous

XTAL1 3.58MHz crystal, HC-49/U case
One each 16, 18, 28-pin IC sockets; '216' type battery snap lead; plastic utility box, type UB3; PC board, 95 x 57mm, code ZA1245 (96ESR1); push-on momentary pushbutton switch; two x 4mm banana sockets; pre-punched silk-screened front panel; 4 x 15mm spacers; 2 x 4mm banana plugs; 2 x mini alligator clips; PCB pins; piece of foam; red perspex display filter; hookup wire; solder.



The schematic may look a little complicated, but the circuit is actually quite elegant. Everything is under the control of IC2, a low cost microcontroller. As well as auto ranging, it also compensates for test lead resistance.

EA ESR and
LOW OHMS METER

88

OHMS

APPROX. WORST E.S.R. VALUES
FOR NEW CAPACITORS AT 20°C

	10V	16V	25V	35V	63V	100V	250V
1uF				14	16	18	20
2.2uF			6.0	8.0	10	10	18
4.7uF			15	7.5	4.2	2.3	5.0
10uF		8.0	5.3	3.2	2.4	3.0	2.5
22uF	5.4	3.6	2.1	1.5	1.5	1.5	1.8
47uF	2.2	1.6	1.2	0.68	0.56	0.7	0.8
100uF	1.2	0.7	0.32	0.32	0.3	0.15	0.8
220uF	0.6	0.33	0.23	0.17	0.16	0.09	0.5
470uF	0.24	0.18	0.12	0.09	0.09	0.05	0.3
1000uF	0.12	0.09	0.08	0.07	0.05	0.06	
4700uF	0.23	0.20	0.12	0.08	0.04		
10k uF	0.12	0.08	0.06	0.04			

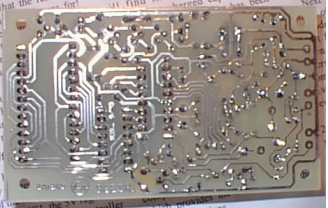
DISCHARGE CAPACITOR BEFORE
MEASURING!

ZERO



CAPACITOR

ON/OFF



Hints for techs using the ESR meter...

Here's a few hints to help you get more from your ESR meter

Please E-MAIL ME if you have any suggestions!

(1) The way to hold the 9V alkaline battery in place is to lay it in the bottom of the case, then place a suitable-sized piece of thick foam plastic over it. Then the circuit board will hold it snugly in place when the front panel is screwed down.

(2) The "Approximate worst ESR values" table on the front of the meter were taken from a fairly old capacitor catalog(ue), and capacitor technology has evolved a bit since then. Many 105 degree C electrolytics have an ESR up to nearly double those values even when brand new, and other electrolytics have a lower ESR even when old. From my experience if an electrolytic has an ESR more than

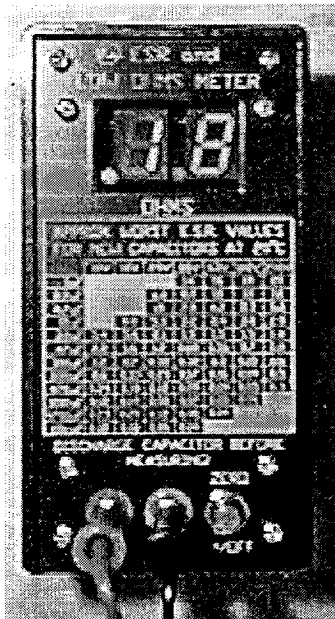
double the table value for its capacitance and voltage rating, it's wise to check it against a new one and/or replace it to remove the chance of it causing problems in the future.

(3) Glenn Watkins has pointed out that a shorted or partially shorted cap can check OK (ie: low resistance), so if you check a cap and the indicated ESR seems too good=low to be true, it's wise to check it out with an ohm meter.

(4) The meter puts out regular bursts of 10us pulses at a 2KHz rate, at an open-circuit amplitude of about 600mV P-P. At a pinch you can use it as an audio signal source to check speaker's, amplifiers etc. The pulses have a fast rise/fall time, so it would probably make a crude RF signal injector as well. Thanks to 'Kiwi' Joe Lussy for suggesting this!

(5) Glenn Watkins also said, "It's very hard to press the test lead tips together to get a steady reading before pressing the button to zero the display. I found that if the test leads have sharp tips, you can press them both on a solder pad (on a PC board) and the leads will penetrate the solder a little giving a good solid reading". Thanks Glenn!

(6) We all know that varying contact resistance between the banana plugs and sockets can cause unsteady readings, but if you give each plug a big squirt of CRC



"CO Contact Cleaner" then rapidly insert and withdraw it in its socket a lot of times, that reduces the problem a lot.

(7) A few techs have suggested that the test lead sockets should have the industry standard 3/4" spacing. When I was designing the meter I tried to achieve this, but unfortunately the plastic mounting pillars in the case are too close together to make it possible, while still leaving room for the push button switch. Sorry about that, guys.

Finally a big "THANK YOU" to all you techs who've bought this meter and said good things about (and constructively criticised) it, both on the Sci.Electronics.Repair newsgroup and to me by e-mail. I really appreciate it!

Outside Australia Order Form for K-7204 ESR Meter kit

Please print out this form, fill in the details, and fax to:
+61 2 9805-0901 (e.g. in the USA or Canada dial 011 61 2 9805-0901)

Attention: John Norris,
National Sales Manager
Dick Smith Electronics Pty Ltd
Sydney, Australia

Date: _____

Wholesale prices:

1-4 kits: \$US40.00 each + \$US6.50 air freight
5-9 kits: \$US35.00 each + \$US9.85 air freight
10+ kits: \$US28.00 each + \$US15.00 air freight
(20 or more kits- please inquire for air freight price)

Please dispatch _____ K-7204 ESR & Low Ohms Meter kits to:

Name: _____ E-mail: _____

Trading Name*: _____

Street Address: _____

Suburb/County: _____

State: _____ Phone No: _____

Country: _____ Fax No: _____

Postal/Zip Code: _____ Country + Area codes: _____

Payment Method (Please tick one):

Credit Card:

Card Type (Amex/Visa/other): _____

Card Number: _____

Expiry Date: _____

Card Holder's Name: _____

Signature: _____