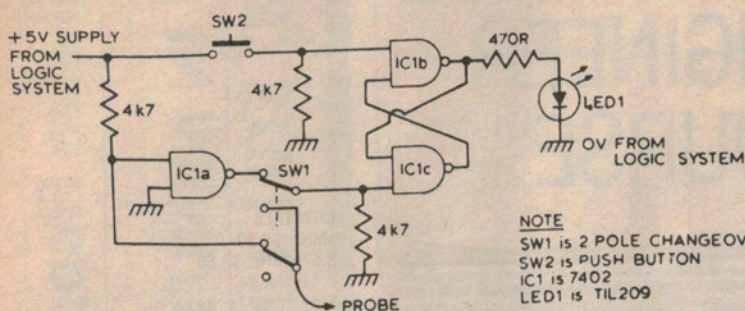


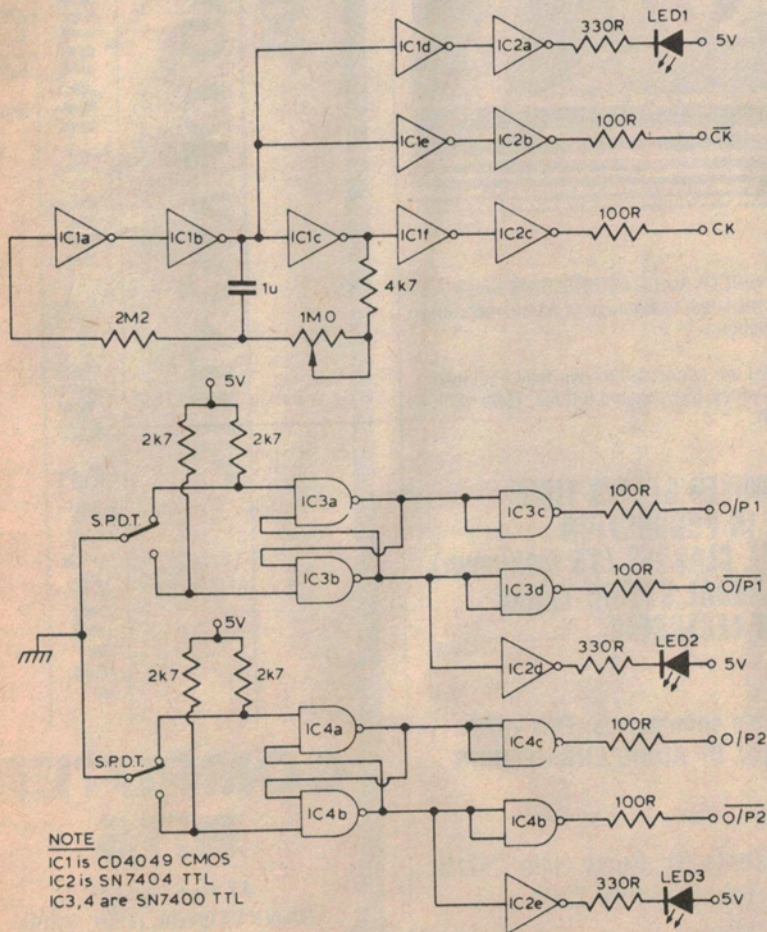
Ideas for experimenters



Logic Noise Detector

Ever since the advent of binary logic, spurious noise spikes and pulses have been the curse of the designers of even elementary systems. This circuit will help detect 'noisy' logic levels. With SW1 in position 1, any logic zero spikes

occurring on a steady logic '1' will set the R-S latch and the LED will be illuminated. With SW1 in position 2, an extra inverter is brought in, and the circuit will be triggered by any logic '1' spikes.



Test Unit for Sequential Logic

Any one testing a sequential logic circuit requires input pulses free of contact bounce. This unit does this, providing two switched, jitter-free outputs and a 'slow' variable speed clock. The complements of these signals are also provided.

The components shown give the clock a frequency range of 1-200 Hz. The clock's buffered output will drive up to two TTL inputs.

The 100R resistors on all outputs provide some measure of accidental short circuit protection.