

IMPORTANT MANUAL

Do Not Throw Away

WEED EATER

TRADEMARK ®



▲ WARNING: Read the Operator's Manual and Follow All Warnings And Safety Instructions. Failure To Do So Can Result In Serious Injury.



OPERATOR'S MANUAL

**MODELS:
XT10/XT12
ELECTRIC TRIMMERS**

Always Wear Eye Protection

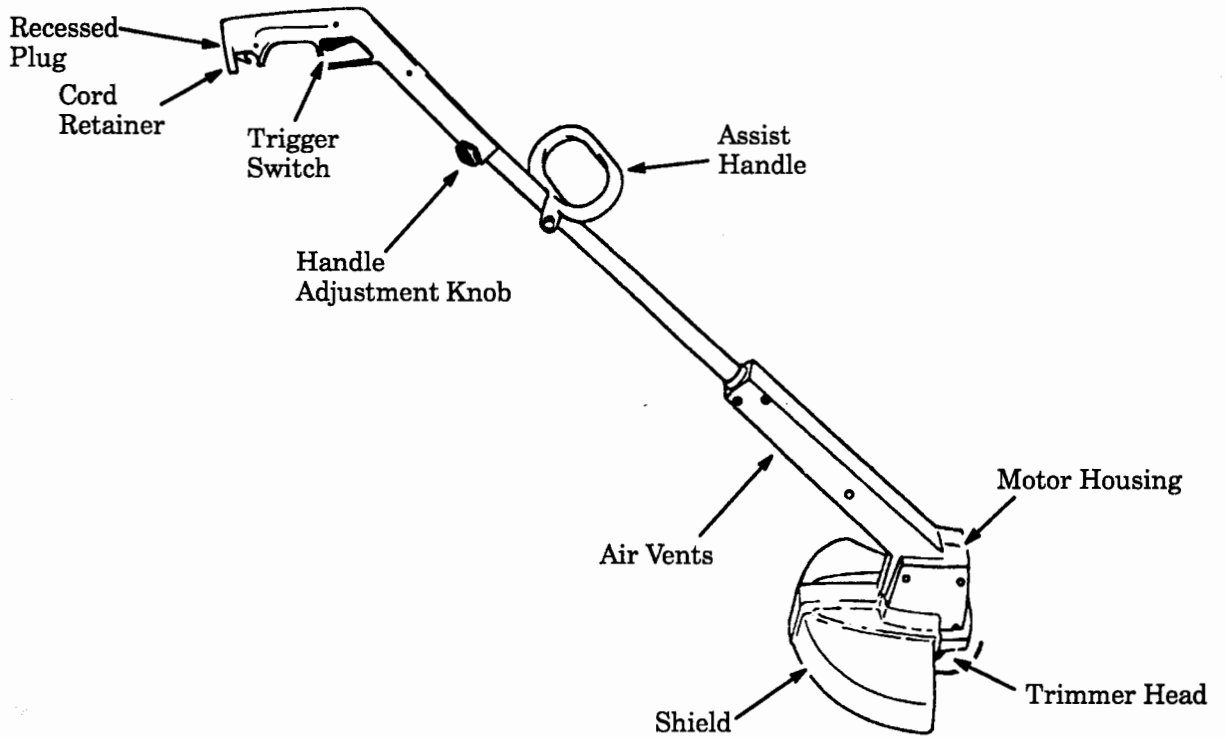
530-082192-1-11/23/93



TABLE OF CONTENTS

WARNINGS AND SAFETY INSTRUCTIONS ... 3	GENERAL MAINTENANCE 11
KNOW YOUR UNIT 5	ACCESSORIES 11
ASSEMBLY 6	CUSTOMER ASSISTANCE Back Cover
USING YOUR UNIT 8	

SPECIFICATIONS



SPECIFICATION CHART		
MODEL:	XT10	XT12
VOLTAGE:	120 volts A.C.	120 volts A.C.
AMPS:	3.0	3.1
CUTTING PATH:	10"	12"
CUTTING LINE:	.065" Dia. line	.065" Dia. line
LINE FEED:	TAP-N-GO® Semi-Automatic	TAP-N-GO® Semi-Automatic
WEIGHT:	4.0 Pounds	4.3 Pounds

MANUFACTURED UNDER ONE OR MORE OF THE FOLLOWING U.S. PATENTS: 4,035,912; 4,052,789; 4,054,992; 4,067,108; 4,104,787; 4,107,901; 4,112,653; 4,114,269; 4,124,938; 4,136,448; 4,156,312; 4,156,967; 4,161,820; 4,167,812; 4,168,572; 4,183,138; 4,189,833; 4,211,004; 4,236,311; 4,269,372; 4,211,006; 4,362,074; 4,382,356; 4,483,069; 4,823,465; 4,904,827; 5,020,223; DES. 249,630; DES. 255,764. Other U.S. and foreign patents pending.

⚠ WARNINGS AND SAFETY INSTRUCTIONS

(See Additional Safety Instructions throughout this Manual)

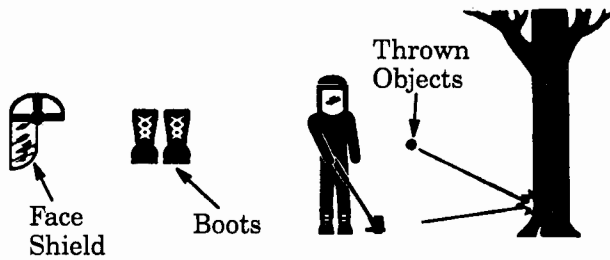
⚠ WARNING – THIS POWER TOOL CAN BE DANGEROUS! This unit can cause serious injury or blindness to the operator and others. When using an electric trimmer, these basic safety precautions must be followed to reduce the risk of injury, fire, and electric shock. Failure to follow all instructions can result in blindness or other serious injury. The operator is responsible for following the warnings and instructions in this manual and on the unit. **Read the entire Operator's Manual before assembling and using this unit! Restrict the use of this unit to persons who read, understand, and follow the warnings and instructions in this manual and on the unit.**



⚠ DANGER

NEVER USE BLADES WITH THIS UNIT.

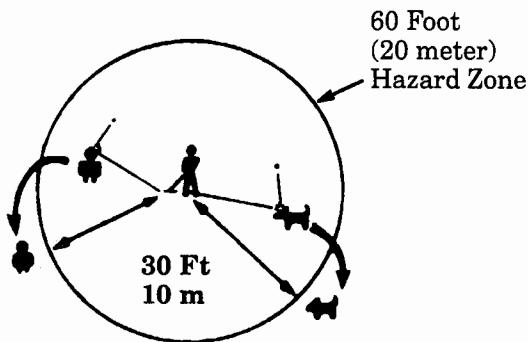
- THE BLADE CAN COME OFF AND SERIOUSLY HURT YOU AND OTHERS.
- THIS UNIT IS DESIGNED FOR LINE TRIMMER USE ONLY



⚠ WARNING

TRIMMER LINE CAN THROW OBJECTS VIOLENTLY.

- YOU CAN BE BLINDED OR INJURED.
- WEAR EYE AND LEG PROTECTION.



⚠ WARNING

HAZARD ZONE FOR THROWN OBJECTS

- TRIMMER LINE CAN THROW OBJECTS VIOLENTLY.
- OTHERS CAN BE BLINDED OR INJURED.
- KEEP PEOPLE AND ANIMALS 30 FEET (10 METERS) AWAY.



⚠ WARNING

READ OPERATOR'S MANUAL.

- FOLLOW ALL WARNINGS AND INSTRUCTIONS.
- FAILURE TO DO SO CAN RESULT IN SERIOUS INJURY.

WARNINGS AND SAFETY INSTRUCTIONS...(Continued)

▲ OPERATOR SAFETY

1. DRESS PROPERLY--Always wear eye protection when operating, servicing, or performing maintenance on your unit. Always wear heavy, long pants, boots, and gloves. See "Accessories." Do not go barefoot or wear sandals, short pants, jewelry, loose clothing, or clothing with loosely hanging straps, ties, tassels, etc.; they can be caught in moving parts. Secure hair so it is above shoulder length. Being fully covered will help protect you from pieces of toxic plants such as poison ivy thrown by the trimmer head which could be more of a hazard than touching the plant itself.
2. STAY ALERT--Do not operate this unit when you are tired, ill, or under the influence of alcohol, drugs, or medication.
3. AVOID UNINTENTIONAL STARTING OF THE UNIT--Never carry the unit with your finger on the switch. Be sure the switch is in the off position before connecting the extension cord.
4. Restrict the use of this unit to persons who read, understand, and follow the warnings and instructions in this manual and on the unit.

▲ ELECTRICAL SAFETY

1. Use only a 120 A.C. voltage supply as shown on the name plate of the unit.
2. Avoid dangerous situations. Do not use in the presence of flammable liquids or gases to avoid creating a fire or explosion and/or causing damage to unit.
3. WARNING--TO REDUCE THE RISK OF ELECTRICAL SHOCK--Do not use in damp or wet locations or around swimming pools, hot tubs, etc. Do not expose to snow, rain, or water to avoid the possibility of electrical shock.
4. WARNING--Use extension cords specifically marked as suitable for outdoor appliances having electrical rating not less than the rating of the unit. An undersized extension cord will cause a drop in line voltage resulting in loss of power and overheating. If in doubt, use the next heavier gauge. The smaller the gauge number, the heavier the cord. (NOTE: Figure 7 shows the correct size to be used depending on the cord length).
5. DO NOT ATTEMPT TO REPAIR UNIT--Inspect the insulation and connectors on the unit and extension cord before each use. If there is any damage, do not use until damage is repaired by an Authorized Service Dealer.
6. Never carry the unit by the extension cord or yank the extension cord to disconnect the unit.
7. To reduce the possibility of the extension cord disconnecting from the unit during operation, slip the extension cord behind the tab on the cord retainer as shown in Figure 8. Plug the extension cord into the recessed plug on the handle of the unit. Figure 8.
8. Do not use the unit if the switch does not turn the unit on and off properly. Repairs to the switch must be made by an Authorized Service Dealer.
9. Keep the extension cord clear of operator and obstacles at all times. Do not expose cords to heat, oil, water, or sharp edges.
10. Avoid any body contact with any grounded conductor, such as metal pipes or wire fences, to avoid the possibility of electric shock.

▲ UNIT SAFETY

1. Inspect entire unit before each use. Replace damaged parts. Make sure all handles, guards, and fasteners are in place and securely fastened.
2. Replace trimmer head parts that are cracked, chipped, or damaged before using the unit.
3. Use only WEED EATER® brand line (see the Specifications Chart on page 2 for proper line size). Never use wire, rope, string etc.
4. Install the shield properly before using the unit.
5. Use only the specified trimmer head. Make sure the trimmer head is properly installed and securely fastened. Refer to "Assembly."
6. Use only genuine WEED EATER accessories as recommended for this unit.

▲ CUTTING SAFETY

1. Inspect the area to be cut before each use. Remove objects (rocks, broken glass, nails, wire, string, etc.) which can be thrown or become entangled in the trimmer head.
2. KEEP CHILDREN AWAY--Keep others including children, animals, bystanders and helpers outside the 60 foot (20 meter) Hazard Zone. Stop the unit immediately if you are approached.
3. Avoid accidental starting. Keep your hand and fingers away from the switch while connecting the unit to an extension cord or when carrying a unit connected to a power source.
4. Stop the unit and disconnect the power source when not in use.
5. DO NOT OVERREACH OR STAND ON UNSTABLE SUPPORT--Keep firm footing and balance. Do not over-reach.
6. Keep the trimmer head below waist level.
7. Do not raise handles above your waist. The trimmer head can come dangerously close to your body.
8. Keep all parts of your body away from trimmer head when unit is running.
9. USE UNIT PROPERLY--Use only for jobs explained in this manual. Do not force the unit.

▲ MAINTENANCE SAFETY

1. Maintain unit according to recommended procedures. Keep the cutting line at the proper length.
2. Have all internal service and maintenance not explained in this manual performed by an Authorized Service Dealer to avoid creating a hazard and/or voiding your warranty.
3. DISCONNECT UNIT FROM THE POWER SUPPLY before performing maintenance.
4. Never douse or squirt the unit with water or any other liquid. Clean with a damp sponge. See "Maintenance -- Storage."
5. Keep the air vents clean and free of debris to avoid overheating the motor. Clean after each use. See "Specifications" for locations.
6. Use only genuine WEED EATER replacement parts as recommended.

▲ TRANSPORTING AND STORAGE

1. Hand carry the unit with the motor stopped.
2. Allow the unit to cool and secure the unit before storing or transporting in a vehicle.
3. Store the unit so the line limiter cannot accidentally cause injury.
4. STORE UNIT INDOORS--Store unit unplugged in a high, dry place out of the reach of children.

If situations occur which are not covered in this manual, use care and good judgment. Contact your Authorized Service Dealer if you need assistance.

SAVE THESE INSTRUCTIONS

KNOW YOUR UNIT

A. INTRODUCTION

Your Trimmer is a versatile product developed for small to medium size lawns and to make short work of a variety of lawn care tasks such as trimming, scalping, mowing, and sweeping.

Special Features Include:

- Double Insulated
- Lightweight Construction
- Semi-Automatic Line Advance
- Line Limiter (automatically cuts line to proper length)
- Trigger Handle with Recessed Plug
- Convenient Extension Cord Retainer
- Adjustable Length Handle
- Twist 'N Edge™ Feature

B. UNPACKING INSTRUCTIONS

1. After removing the contents from the carton, check parts against the Carton Contents list.
2. Examine the parts for damage. Do not use damaged parts.
3. *Notify your dealer immediately if a part is missing or damaged.*

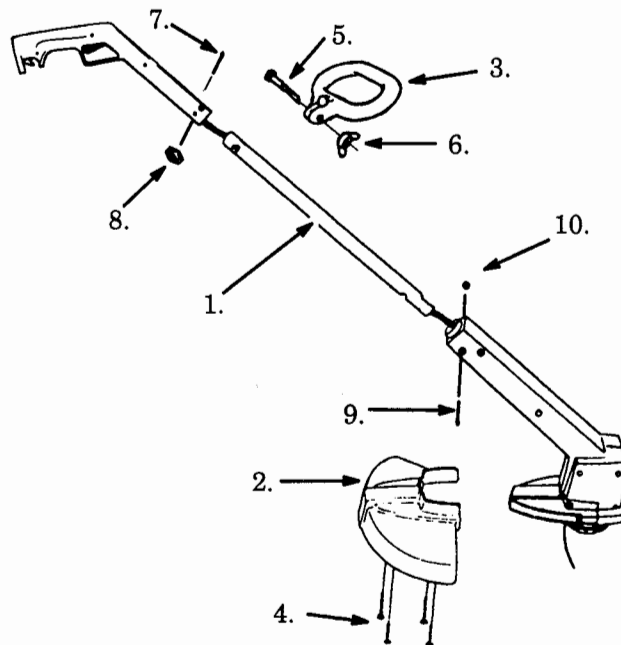
C. CARTON CONTENTS

KEY

NO.	DESCRIPTION	QTY
1.	Trimmer Assembly	1
2.	Shield	1
3.	Assist Handle	1
--	Operator's Manual (not shown)	1

Loose Parts Bag Contents:

4.	Screw - Shield	4
5.	Screw - Assist Handle	1
6.	Wingnut - Assist Handle	1
7.	Screw - Hex Head	1
8.	Knob	1
9.	Screw - Round Head	1
10.	Nut	1



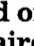
D. DOUBLE INSULATION CONSTRUCTION

This unit is **Double Insulated** to help protect against electric shock. Double insulation construction consists of two separate "layers" of electrical insulation instead of grounding.

Tools and appliances built with a double insulation system are not intended to be grounded. No grounding means is provided on this unit, nor should a means of grounding be added to the unit. As a result, the extension cord used with your unit can be plugged into any standard 120 volt electrical outlet.

Safety precautions must be observed when operating any electrical tool. The double insulation system only provides added protection against injury resulting from an internal electrical insulation failure.

▲ WARNING

All electrical repairs to this unit, including housing, switch, motor, etc., must be diagnosed and repaired by qualified service personnel. Replacement parts for a double insulated appliance must be identical to the parts they replace. A double insulated appliance is marked with the words "DOUBLE INSULATION" or "DOUBLE INSULATED." The symbol (square within a square)  may also be marked on the appliance. Failure to have the unit repaired by qualified service personnel can cause the double insulation construction to become ineffective and result in serious injury.

ASSEMBLY

If unit is received assembled, repeat all steps in this section to be sure assembly is correct.

PREPARATION

This Operator's Manual is designed to help you assemble and safely operate the unit. It is important that you read the entire manual to become familiar with the unit *before* you begin assembly. If you have any questions or need further assistance, call our CUSTOMER ASSISTANCE HOTLINE at 1-800-554-6723.

The only tools needed for assembly are:

- Phillips screwdriver
- Pliers.

A. TUBE ASSEMBLY

1. Remove and discard the shipping plugs (2) found in the ends of the tubes. Figure 1.
2. Align the snap button on the tube with the notch on the trigger handle. Figure 2. Slide the tube into the trigger handle until you hear the snap button click into position.

NOTE: If the tube will completely pull out of the trigger handle, reinstall it; make sure the snap button is positioned properly in the notch. When properly installed, the tube should not pull out of the trigger handle, but will extend and retract approximately 3 inches.

3. Install screw A in the hex recess and the plastic knob in the round recess on the trigger handle. Figure 2. Tighten knob just enough to hold it in place.
4. Slide excess wire into top of motor housing.
5. Align the arrow on the decal with the top of the motor housing. Figure 3. Slide tube into motor housing until the tip of the arrow on the decal reaches the top of the motor housing. Figure 3.
6. Install screw C and nut E. Tighten securely.

NOTE: Be sure to install the screws in the round recesses and the nuts in the hex recesses.

B. SHIELD ATTACHMENT

▲ WARNING

Failure to install the shield in the position shown in Figure 5 can result in serious injury to the operator. The shield provides partial protection from the risk of thrown objects to the operator and others.

CAUTION: The line limiter (on the underside of the unit) is sharp and can cut you.

1. Slide the shield onto the motor housing until the surfaces are flush. Figure 5.
2. Insert the four self-tapping screws B in the shield (see Figure 5). Tighten screws with a Phillips screwdriver.

NOTE: Avoid overtightening the screws to keep from stripping out the screw holes in the shield.

NOTE: Before using the unit, break the plastic post away from the line limiter with a pair of pliers. Figure 5.

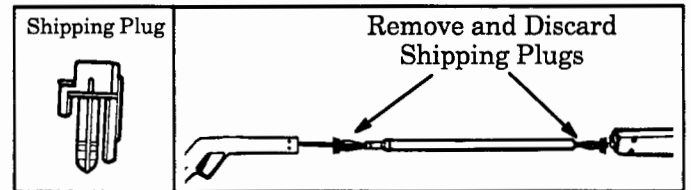
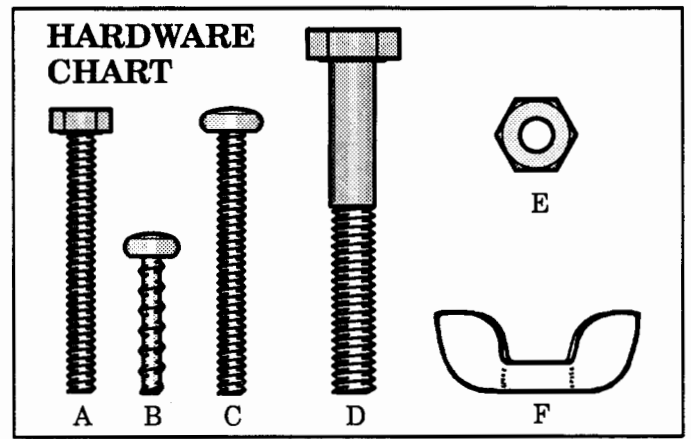


Figure 1

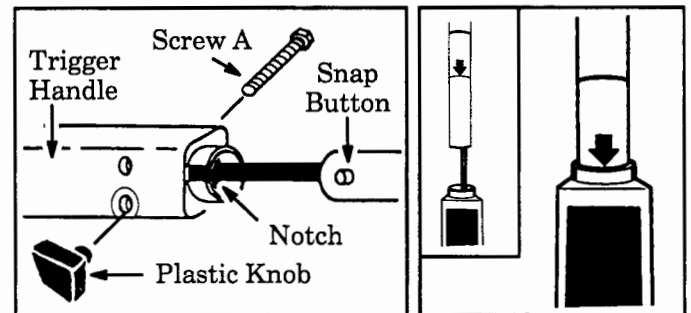


Figure 2

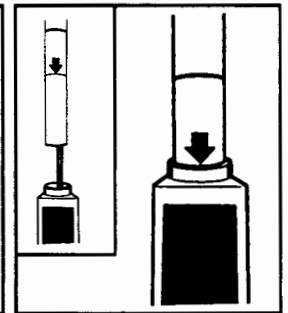


Figure 3

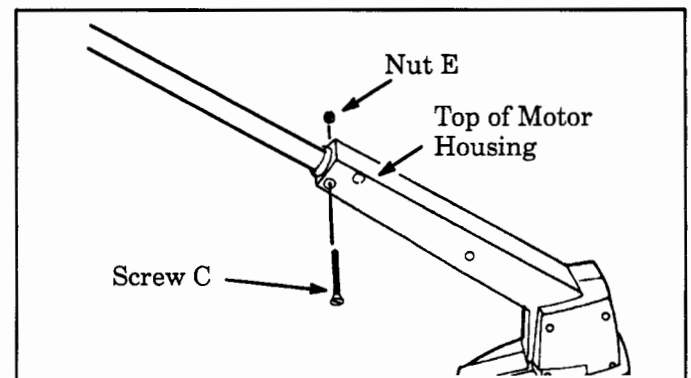


Figure 4

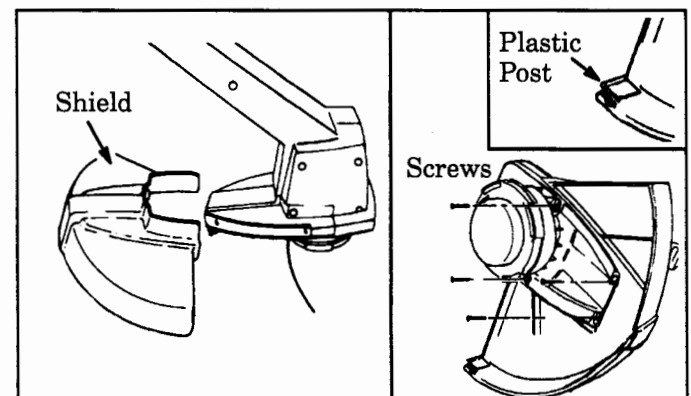


Figure 5

C. ASSIST HANDLE

1. Firmly push assist handle onto tube. Figure 6 .
2. Hold the unit in the operating position. Adjust the handle up or down the tube to a position comfortable for the user.
3. Push the hex head screw through the hole in the assist handle. Figure 6 . Thread the wing nut onto the screw and tighten securely.

NOTE: The recommended position is that which:

- 1) allows you to hold the assist handle comfortably in the left hand, and
- 2) places trimmer head just clear of the ground. See Figure 9 .

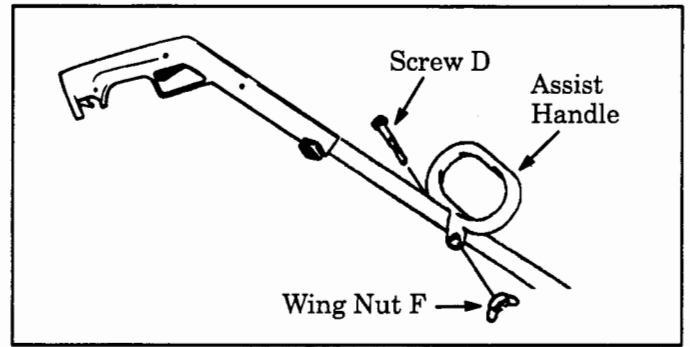


Figure 6

D. PRE-OPERATION CHECKS

▲ WARNING

Review all Warnings and Safety Instructions in this manual.

• Before operating your tool, always:

1. **Inspect the entire tool before each use.** Replace damaged parts. Make sure all fasteners are in place and securely fastened.
2. **Use only genuine WEED EATER accessories or attachments recommended for this tool.**

3. **Use only WEED EATER brand line** (see Specification Chart, page 2, for proper line diameter). Never use wire, rope, string, etc.
4. **Use only with the shield properly attached.**
5. **Replace trimmer head parts** that are cracked, chipped, broken, or damaged in any other way before using the tool.
6. **Use only the specified trimmer head.** See "Specifications." Make sure the trimmer head is properly installed and securely fastened. Refer to "Using Your Unit."

E. EXTENSION CORD

1. **Use only a 120 A.C. voltage supply** as shown on the nameplate of the unit to power your blower.
2. **The extension cord used to reach the power source must be:**
 - a. **Specifically marked as suitable for outdoor use** (*must be marked with suffix "W-A."*)
 - b. **Heavy enough to carry the current from the power source the full length of the extension cord to the unit.** Otherwise, loss of power and overheating can occur causing damage to the unit. Refer to Figure 7 for minimum wire gauge recommendations. *The cord must be marked with the proper wire gauge.* (Appropriate extension cords are available.)
 - c. **In good condition.** Cord insulation must be intact with no cracks or deterioration. Plug connectors must be undamaged.
3. **Secure extension cord to the Cord Retainer** as shown in Figure 8 . Insert the cord socket into the recessed plug on the unit.

MINIMUM WIRE GAUGE RECOMMENDATIONS			
VOLTS	25 FT.	50 FT.	100 FT.
120	18	16	16
	A.W.G.*	A.W.G.*	A.W.G.*

*American Wire Gauge

Figure 7

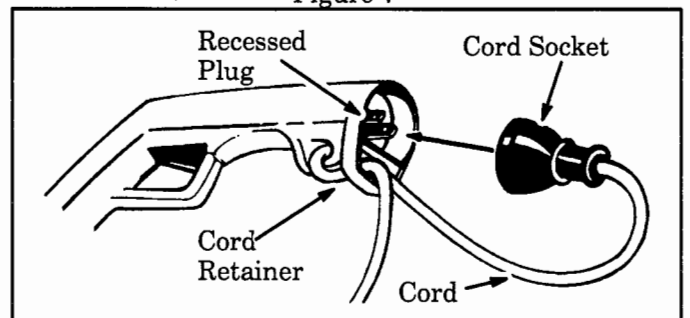


Figure 8

F. OPERATING POSITION

1. **Before operating the unit, stand as shown in Figure 9** and check for the following:
 - a. Operator wearing eye protection.
 - b. Operator wearing heavy clothing.
 - c. Right arm slightly bent, hand holding handle.
 - d. Left arm straight, hand holding assist handle.
 - e. Unit below waist level.
 - f. Without operator bending over, the Trimmer Head is near and parallel to the ground and easily contacts the material to be cut.

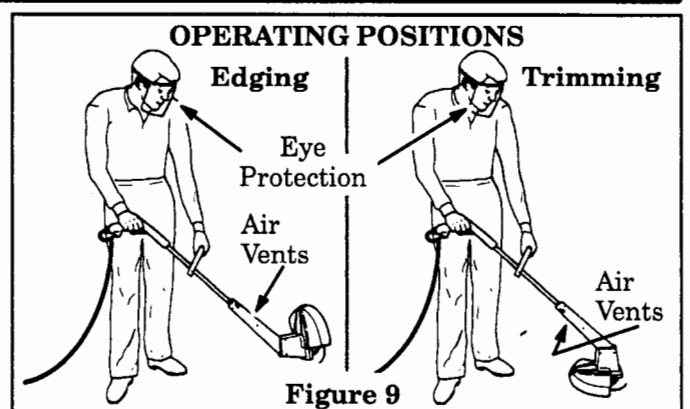
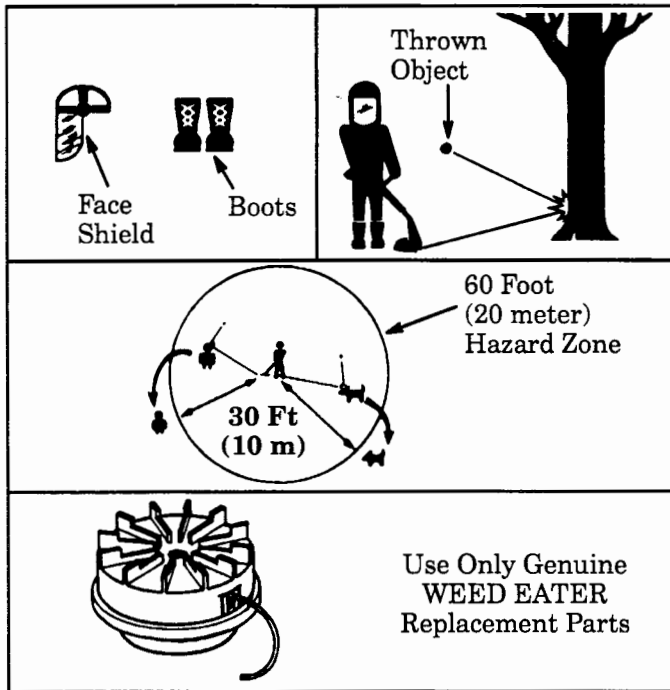


Figure 9

USING YOUR UNIT



⚠ WARNING – THROWS OBJECTS
The rapidly moving line causes objects to be thrown violently. The shield will not provide complete protection to the operator or others. The operator must wear a safety face shield or goggles. Always wear heavy, long pants and boots. Keep others at least 30 feet (10 meters) away.

⚠ WARNING – HAZARD ZONE
This unit will throw objects and cut. Keep others including children, animals, bystanders, and helpers at least 30 feet (10 meters) away from the operator and unit. Stop the unit if you are approached.

⚠ WARNING – DAMAGED TRIMMER HEAD
Trimmer head parts that are chipped, cracked, broken, or damaged in any other way can fly apart and cause serious injury. Do not use. Replace damaged parts before using the unit.

A. LINE TRIMMER SAFETY

1. OPERATOR SAFETY

- Always wear a face safety shield or goggles. See "Accessories."
- Always wear heavy, long pants, boots, and gloves. Do not go barefoot or wear sandals, short pants, jewelry, loose clothing, or clothing with loosely hanging straps, ties, tassels, etc.; they can be caught in moving parts. Secure hair so it is above shoulder length. Being fully covered will help protect you from pieces of toxic plants such as poison ivy thrown by the trimmer head which could be more of a hazard than touching the plant itself.
- Do not operate this unit when you are tired, ill, or under the influence of alcohol, drugs, or medication.

2. UNIT SAFETY

- Inspect the entire unit before each use. Replace damaged parts. Make sure all fasteners are in place and securely fastened.
- Be sure the shield is properly attached.

- Use only WEED EATER brand line (see Specification Chart, page 2, for proper line diameter). Never use wire, rope, string, etc.
- Make sure the trimmer head is properly installed and securely fastened. Refer to the "Using Your Unit" section.
- Use only genuine WEED EATER accessories or attachments as recommended.

3. CUTTING SAFETY

- Inspect the area to be cut before each use. Remove objects (rocks, broken glass, nails, wire, string, etc.) which can be thrown or become entangled in the trimmer head.
- Hold the unit firmly.
- Keep firm footing and balance. Do not over-reach.
- Keep the trimmer head below waist level.
- Do not raise the handles above your waist. The trimmer head can come dangerously close to your body.
- Keep all parts of your body away from the trimmer line when the unit is running.
- Use only for jobs explained in manual.
- Always release the trigger switch and allow the unit to stop when not cutting.

B. TRIMMER LINE ADVANCE

- Your trimmer is equipped with a semi-automatic trimmer head. Whenever the tap button is pressed, the head automatically advances a pre-determined amount of line.
- The line limiter will cut line to the correct length. The most efficient line length is maximum length allowed by line limiter.
- Always keep the shield in place when the unit is being operated. Figure 10.

CAUTION: Do not bump trimmer head on an abrasive surface such as concrete, asphalt, or gravel to advance the line or excessive wear or damage to the unit can occur.

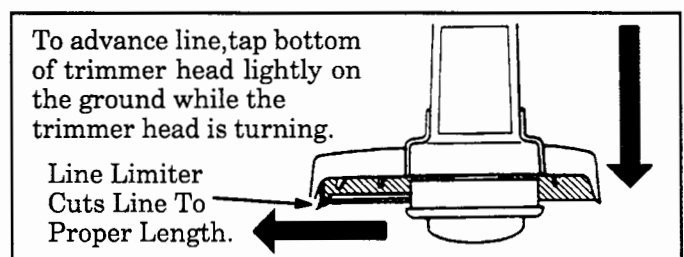


Figure 10

NOTE: If the line limiter requires maintenance or replacement, service should be performed by qualified service personnel only.

▲ WARNING

Use only WEED EATER brand line (see Specification Chart, page 2, for proper line diameter). Other sizes of line will not advance properly. Do not use wire, string, rope, etc. Wire can break off during cutting and become a dangerous missile that can cause serious injury.

● **To Advance the Line, the trimmer head must be turning.**

1. Hold the trimmer head parallel to and above a grassy area of ground.
2. Tap the trimmer head lightly on the ground one time. Approximately 1 1/2 to 3 inches of line will be advanced after each tap. Figure 10.

C. CUTTING METHODS

▲ WARNING

Do not crowd line when cutting around hard objects (rocks, gravel, fence posts, etc), which can damage the trimmer head, become entangled in the line, or be thrown causing a serious hazard.

- **The tip of the line does the cutting.** You will achieve best performance and minimum line wear by not crowding the line into the cutting area. The right and wrong ways are shown in Figure 12.
- **The line will easily remove grass and weeds from around walls, fences, trees, and flower beds, but it also can cut the tender bark of trees or shrubs and scar fences.**
- **Allow the unit to reach full speed before entering the material to be cut.**
- **To adjust length of unit,** loosen knob on trigger handle and slide trigger handle up or down the tube. Figure 11. Firmly hand tighten the knob.

▲ WARNING

Always wear eye protection. Never lean over the trimmer head. Rocks or debris can ricochet or be thrown into eyes and face and cause blindness or other serious injury.

1. **TRIMMING** – Figure 13. Hold bottom of trimmer head about 3 inches above ground and at an angle. Allow only the tip of line to make contact. Do not force trimmer line into the work area.
2. **SCALPING** – Figure 13. The scalping technique removes unwanted vegetation. Hold the bottom of the trimmer head about 3 inches above the ground and at an angle. Allow the tip of the line to strike ground around trees, posts, monuments, etc. *This technique increases line wear.*
3. **MOWING** – Figure 14. Your trimmer is ideal for mowing in places conventional lawn mowers cannot reach. In the mowing position, keep line parallel to ground. Avoid pressing the head into ground as this can scalp ground and damage unit.
4. **SWEEPING** – Figure 14. The fanning action of the rotating line can be used for a quick and easy clean up. Keep line parallel to and above surfaces being swept and move the unit from side to side.
5. **EDGING** – Figure 15. To adjust your unit for edging, loosen the knob on the trigger handle, pull the handle to full length, turn the trigger handle counterclockwise 180°, and retighten the knob. Then, loosen the wing nut on the assist handle, turn the assist handle 180°, and retighten the wing nut. Hold the trigger handle in the normal operating position (Figure 9). The motor housing will be positioned as shown in Figure 15. For best results, hold the trimmer to one side and walk parallel to the area to be edged.

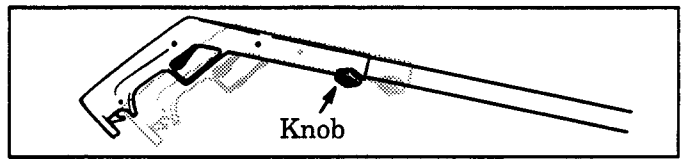


Figure 11

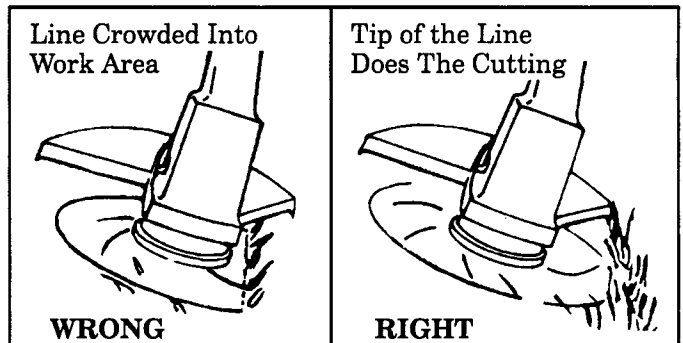


Figure 12

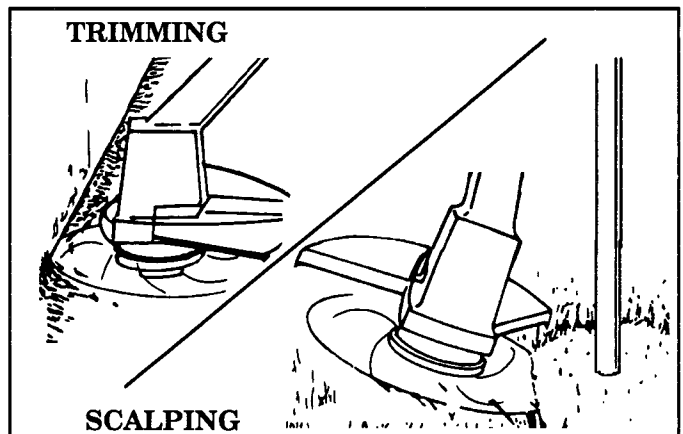


Figure 13

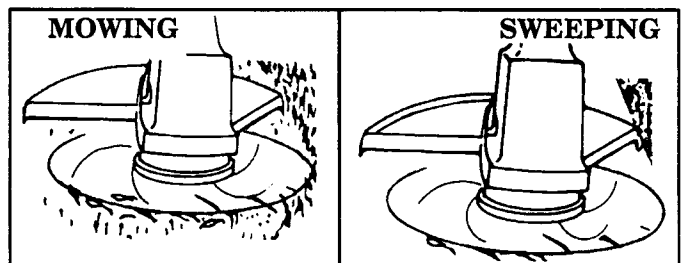


Figure 14

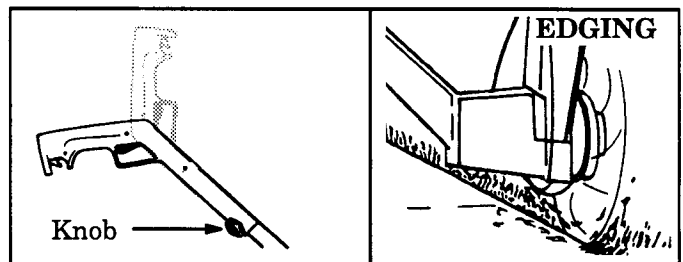


Figure 15

D. LINE REPLACEMENT

- For proper line feed:
 - Use only genuine WEED EATER pre-wound spools and line (see Specification Chart, page 2, for proper line diameter). Use of other types of spools or lines can result in excessive breakage, line welding, and improper line feed.
 - Pre-wound spools offer the most convenient method for replacing line as well as optimum performance. Be sure to always replace spool if the square corners of drive lugs are rounded off, reduced in size, or broken off.
- Always clean dirt and debris from spool and hub when performing any type maintenance.

▲ WARNING

Trimmer head parts that are chipped, cracked, broken, or damaged in any other way can fly apart and cause serious injury. Do not use. Have damaged parts replaced before using the unit.

1. Installing Spool with Line

- Stop the unit and unplug the power cord.
- Hold the unit as shown in Figure 16. Press the lock tab and turn the lock ring counterclockwise. Figure 16.
- Remove the lock ring, tap button, and spool. Figure 17.
- Clean dirt and debris from all parts. Inspect all Trimmer head parts for damage. Replace damaged parts or have them replaced by qualified service personnel.
- Use a new WEED EATER prewound spool, or rewind the old spool with WEED EATER line (see Specification Chart, page 2, for proper line diameter).
- Insert 3 to 4 inches of end of line (on the spool) through line saver in the hub. Figure 18.
- Set the spool into the hub.
- Press spool down; turn and lock the spool lugs under the drive gear. Figures 17 & 18.
- Reinstall the tap button and lock ring. Turn the lock ring clockwise and fasten the lock tabs in all four catches on the hub. Figure 19.

NOTE: Check to be sure the lock ring is properly installed by attempting to turn the ring counterclockwise and pulling on it.

- Properly reinstall if the lock ring comes off or if the lock tab or catches do not look like those shown in Figure 19.

▲ WARNING

All four catches must be fastened and the lock tab latched onto the lock ring. If installed incorrectly, the lock ring can fly off and become a dangerous missile.

- Pull line to change the spool from the locked position to the operating position. Figure 19.
- Obtain correct line length by pressing tap button and pulling on nylon line again. If line extends one inch or more beyond the line limiter, cut the line near the line limiter. Excessive line can cause premature damage to the shield.

NOTE: Approximately 1-1/2 to 3 inches of line can be advanced each time the tap button is pressed. Figure 19.

2. Installing Line On Spool

NOTE: Use only the proper diameter line for your unit (see Specification Chart, page 2, for proper line diameter).

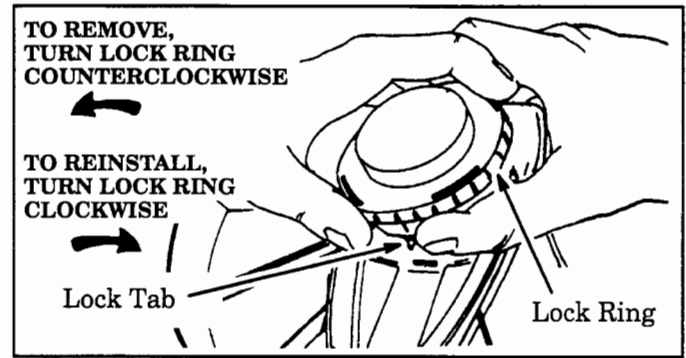


Figure 16

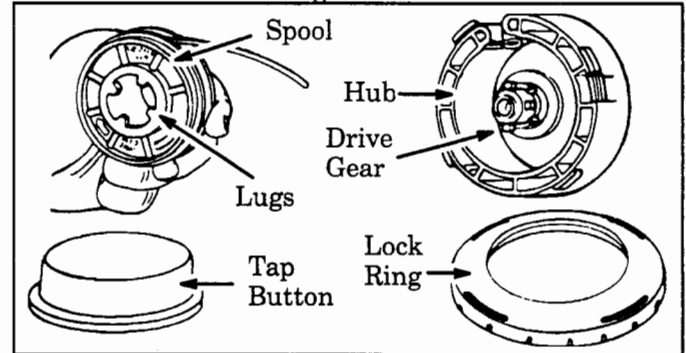


Figure 17

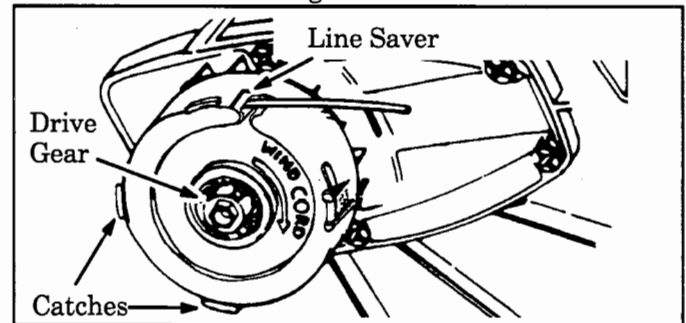


Figure 18

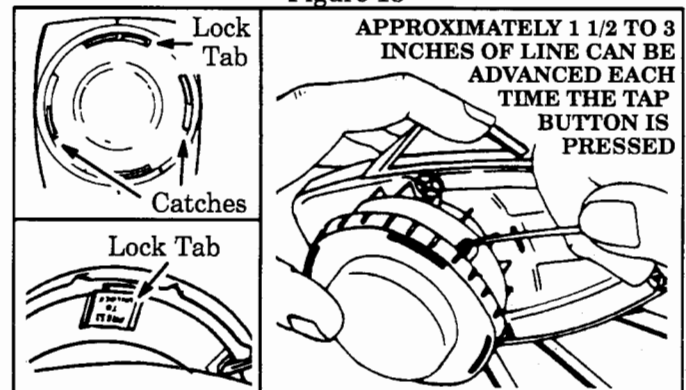


Figure 19

- To replace the trimmer line on an existing spool, do the following:

- Follow "Installing Spool with Line," "a.-d.," and remove any line remaining on the spool.

NOTE: Do not wrap the line beyond the edge of the spool.

- Hold spool as shown in Figure 20.
- Insert 1/16 to 1/8 inch of line through the hole in the inner rim of the spool. Figure 20. Allow no more than 1/8 inch of line to extend beyond the inner rim of the spool to avoid interference with the drive gear.

- d. Wrap line evenly and firmly in the direction indicated by the arrow on the spool. Figure 20 . To ensure proper line advance, avoid crossover or crisscrossing of the line.
- e. Follow instructions in "Installing Spool w/ Line," steps "f.-l."
- **If the trimmer line breaks off or backs up in the trimmer head, follow "Installing Spool w/ Line," steps "a.-c." Pull slack in the line until it is tightly wound on the spool, leaving 4-6 inches of line extended. Continue with "Installing Spool w/ Line," steps "f.-l."**

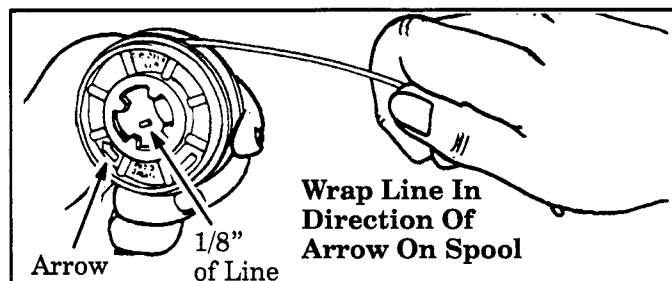


Figure 20

GENERAL MAINTENANCE

A. MAINTENANCE SAFETY

1. **Maintain the unit according to recommended procedures.** Keep the cutting line at the proper length.
2. **Disconnect power source before performing maintenance.**
3. **Keep the unit clean.** Use a sponge dampened with a solution of mild soap and water. Do not use solvents or petroleum based cleaner of any kind.
4. **Keep air vents free of debris at all times.**

5. **Replace trimmer head parts** that are cracked, chipped, broken, or damaged in any other way before using the tool.
6. **Use only proper diameter line for your unit** (see **Specification Chart, page 2, for proper line diameter**). Never use wire, rope, string, etc.
7. **Use only genuine WEED EATER replacement parts as recommended.**
8. **Inspect the entire unit.** Replace damaged parts. Make sure all fasteners are in place and securely fastened.

B. TROUBLE SHOOTING CHART

SYMPTOM	CAUSE	REMEDY
Trimmer Head stops under a load or does not turn when switch is pressed.	a. Crowding trimmer line against material being cut. b. Electrical failure. c. None of the above.	a. Back trimmer head away from grass being cut; allow tip of line to do the cutting. b. Contact your WEED EATER Service Dept. c. Contact your WEED EATER Service Dept.
Line does not advance or breaks while cutting.	a. Line improperly routed in head. b. Line improperly wound onto spool. c. Line size incorrect. d. Too little line outside head. e. Dirt accumulated on cover.	a. Remove cover. Check line routing. b. Rewind line tightly and evenly. c. Use only the proper diameter line (see p.2). d. Remove cover. Pull 4" of line out. e. Clean cover.
Line welds onto spool.	a. Line size incorrect. b. Incorrect spool. c. Crowding line against material being cut.	a. Use only the proper diameter line (see p.2). b. Use proper spool. c. Cut with tip of line.
Line releases continuously.	a. Line improperly routed in head. b. Line size incorrect.	a. Remove cover. Check line routing. b. Use only the proper diameter line (see p.2).
Line usage is excessive.	a. Line improperly routed in head. b. Line size incorrect. c. Crowding line against material being cut.	a. Remove cover. Check line routing. b. Use only the proper diameter line (see p.2). c. Cut with tip of line.
Line pulls back into head.	a. Too little line outside of head. b. Line size incorrect.	a. Remove cover. Pull 4" of line out. b. Use only the proper diameter line (see p.2).

ACCESSORIES

ITEM	STOCK NO.
SAFETY GOGGLES	952-701645
SPOOL W/LINE -- .065" DIA.	952-701521
BULK LINE -- .065" DIA. 50 FT.	952-701550
100 FT.	952-701533
200 FT.	952-701594
600 FT.	952-701591



One of the most important priorities at POULAN/WEED EATER is customer satisfaction, especially *after* the sale. Your product has been expertly engineered and carefully manufactured to rigid quality standards to provide you with optimum performance and maximum operational lifetime. As with all mechanical products, however, making adjustments or replacing parts may be necessary during the life of your unit.

Because customer satisfaction is a major priority, POULAN/WEED EATER has established a special, toll free Customer Assistance Service to assist you with any after-the-sale needs. Whether you need a replacement part, an accessory, the name of your nearest sales or service dealer, or just need help in assembling your unit, our customer service representatives will be available to answer your questions.

When calling our Customer Assistance Service, please be prepared to give the description of the unit, the model number, serial number, and, if ordering parts, the part number or description of each part. Call 1-800-554-6723. Our representatives will be glad to help.

FOR SERVICE OR REPLACEMENT PARTS:

1. Consult your dealer/place of purchase.
2. Consult the yellow pages of your phone directory for the name of the nearest POULAN/WEED EATER Master Service Dealer (under "saws" for Chain Saws or under "lawnmowers" for Trimmers, Brushcutters, and Blowers).

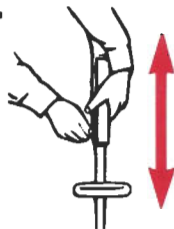
NOTE: POULAN/WEED EATER Division provides parts and service through its authorized distributors and dealers; therefore, all requests for parts and service should be directed to your local dealer(s). The philosophy of POULAN/WEED EATER Division is to continually improve all of its products. If the operating characteristics or the appearance of your product differs from those described in this Operator's Manual, please contact your local POULAN/WEED EATER Dealer for updated information and assistance.

POULAN/WEED EATER
DIVISION OF WCI OUTDOOR PRODUCTS, INC.
Shreveport, Louisiana 71129 U.S.A.

©1993 Poulan/Weed Eater Division WCI Outdoor Products, Inc.

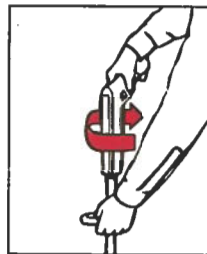
To Adjust Trigger Handle Height

1. Loosen knob
2. Slide handle up/down
3. Retighten knob



To Edge

1. Loosen knob on trigger handle
2. Pull to topmost position, twist 180°, retighten knob
3. Loosen wingnut on assist handle; twist 180°, retighten nut



 **TWIST 'N' EDGE**

530-401037

WEED EATER[®]

Customer Assistance Call 1-800-554-6723