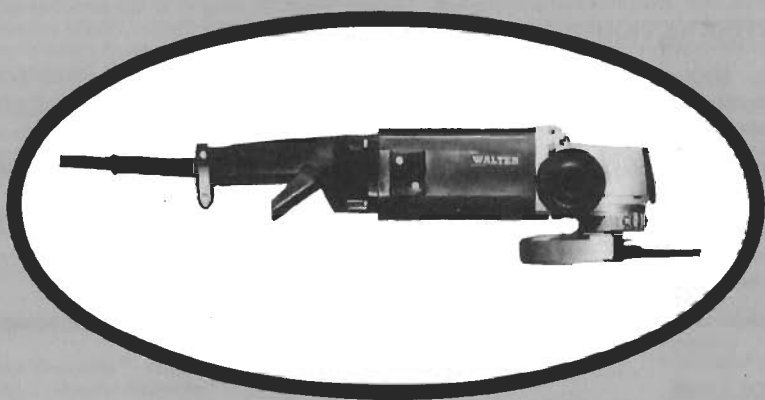




**WALTER METABO  
POWER TOOLS**

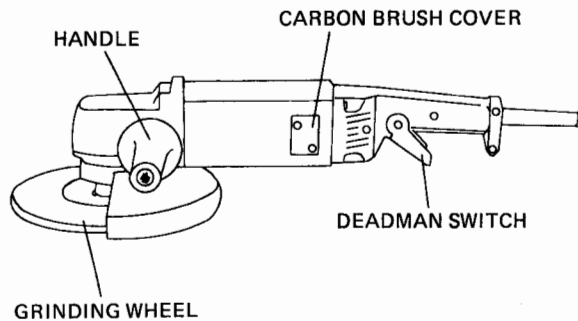


**MAXI GRINDER®  
MODELS  
6170  
6190**

# **OWNER'S MANUAL**

**J. WALTER COMPANY LTD**

MONTREAL · TORONTO · VANCOUVER · QUEBEC · HALIFAX · EDMONTON



## INTRODUCTION

Your MAXI-GRINDER® is precision built to meet the highest professional standards. For maximum performance and longest tool life, follow the operating instructions and service procedures as outlined in this booklet.

This tool is double insulated and CSA approved. It is supplied with a 2-conductor cord set and must not be grounded.

In order to maintain the safety features of the double insulation, the motor housing of your MAXI GRINDER® must not be drilled to affix nameplates or the like. Self-adhesive labels may be used for this purpose.

Always disconnect the tool when not in use, before servicing or when changing accessories.

## VOLTAGE

Before connecting the tool, check that the voltage shown on the rating plate is the same as that of the power source.

Operating the tool on a voltage other than specified on its rating plate may result in injury to the user and damage to the tool.

## EXTENSION CORD

When an extension cord is needed, use one that is heavy enough for the power requirement of the tool. To prevent voltage loss, refer to the table below for the correct cord size.

LENGTH IN FEET	25	50	75	100	125	150	175	200	250	300
WIRE SIZE AWG	10	10	10	10	8	8	8	8	6	6

## OVERLOAD PROTECTION

Your MAXI-GRINDER® has a factory set slip clutch built into the gear drive. This safety clutch protects you and the tool from excessive load and torque. If excessive load is exerted, the clutch will slip indicating that the tool is being overloaded. When this happens, relax the applied pressure to allow the tool to work freely, or switch the tool off.

## SWITCH

This tool has a "deadman" switch. Press to start, release to stop.

## TECHNICAL DATA

MODEL:	6170	6190
VOLTAGE:	115 VOLTS, 60 HERTZ, AC	
RATING:	2.3 HP, 1700 WATTS	
NO-LOAD SPEED:	8,500 RPM	6,500 RPM
MAX. CAPACITY:		
- grinding and cut-off wheels	7"	9"
- sanding discs	7"	9"
- cup wheels and wire brushes	5"	6"

## OPERATION

The exclusive use of original MAXI-GRINDER® accessories is recommended. WALTER grinding wheels, cut-off wheels, Rondellers®, sanding discs, cup wheels and wire brushes are specially made for this grinder and are approved for high speed operation as required for this tool. A list of these accessories is contained in this manual.

Always use the proper wheel guard when grinding or cutting with abrasive wheels, or the recommended backing pad with sanding discs and Rondellers®. Use only accessories which are made and recommended in accordance with the maximum safe operating speed of your MAXI-GRINDER®.

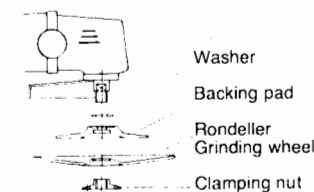
Always wear safety goggles to protect your eyes!

## MOUNTING INSTRUCTIONS

### RONDELLER FLEXIBLE GRINDING WHEELS

The Rondeller® should be mounted as shown in Fig. 1. Use the Rondeller® only with special backing pad (Order No. 15-H-007). The clamping nut supplied with the backing pad clamps both the backing pad and the Rondeller®.

Fig. 1 Rondeller



### GRINDING AND CUT-OFF WHEELS

Grinding and cut-off wheels are mounted by placing the clamping flanges as shown in Fig. 2 (grinding wheels) and Fig. 3 (combined grinding and cut-off wheels). Tighten the flange (B) with the pin key (standard equipment) while holding the spindle with the spanner (standard equipment). For cut-off operations, use special cut-off washers (Model 6170: Order No. 30-B-027, Model 6190: Order No. 30-B-028).

Fig. 2 Grinding Wheels

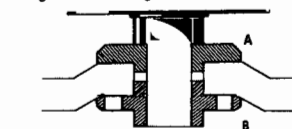
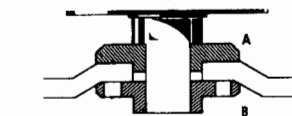


Fig. 3 Combined Grinding and Cut-off Wheels, 1/8" or thinner



### CUP WHEELS AND WIRE BRUSHES

Remove flanges "A" and "B" as well as the grinding guard. Cup wheels and wire brushes are provided with a female thread and are screwed directly onto the spindle of the angle grinder.

### BACKING PADS

Remove flanges "A" and "B" and the grinding guard. The special outer flange supplied with the backing pad clamps both backing pad and sanding disc.

## MAINTENANCE

### CARBON BRUSHES

Your MAXI-GRINDER<sup>®</sup> is equipped with self-disconnecting carbon brushes. When the brushes have reached their minimum length, they automatically interrupt the current flow and the machine stops.

Use only genuine WALTER carbon brushes (Order No. 30-L-032). These brushes are specially made for this tool; they will maintain its high performance standard and ensure maximum life of the motor.

Check or replace carbon brushes as follows:



1. Disconnect tool from power supply;
2. remove cover plate no. 37 after removing screws no. 36;
3. pull out carbon brushes from their holders, replace brushes if necessary, always replace brushes in pairs;
4. check that new carbon brushes move freely in holders; to seat the carbon brushes properly after installation, allow the tool to idle for about 30 minutes.

### PREVENTIVE MAINTENANCE

Your MAXI-GRINDER<sup>®</sup> should be properly maintained to ensure its continued high performance.

Clean dust and dirt deposits from the exterior of the tool after use and remove dust from the motor by occasionally blowing air through the vent openings. Wipe the cord to prevent deterioration from oil and grease and check for possible damage to cable and plug.

After the second pair of carbon brushes is worn out, your MAXI-GRINDER<sup>®</sup> should be thoroughly inspected and serviced. REMEMBER: Only a well kept tool will provide superior results.

### SERVICE

WALTER'S TOTAL SERVICE offers you inspection, servicing, and overhauling of your WALTER power tool. This service is available at all WALTER locations as well as conveniently located service centers.

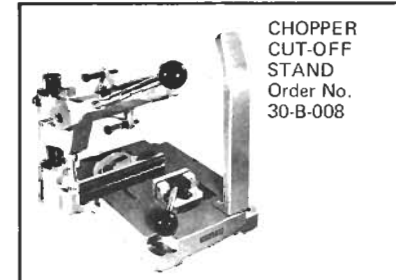
### WALTER SALES AND SERVICE

MONTREAL	: 5977 Trans Canada Hwy., Pointe Claire, Qué.	Tel.: (514) 695-2332
TORONTO	: 3280 Caroga Drive, Mississauga, Ontario	Tel.: (416) 677-9454
VANCOUVER	: 8425 Main Street, Vancouver, B.C.	Tel.: (604) 324-4457
QUEBEC	: 2165 Lavoisier, Ste-Foy, Quebec	Tel.: (418) 683-2309
HALIFAX	: 10 Ilsley Drive, Dartmouth, N.S.	Tel.: (902) 469-4888
EDMONTON	: 15907 116 th Avenue, Edmonton, Alberta	Tel.: (403) 451-2053

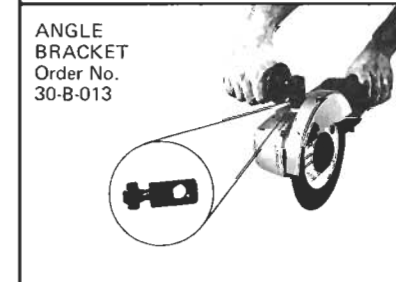
### GUARANTEE

All WALTER power tools and accessories are inspected and tested before shipment and are guaranteed to be free from any defect in material and faulty workmanship. Should any malfunction occur within six months from the date of purchase by the first user, return the complete tool prepaid to the nearest WALTER branch or WALTER authorized service center. If an examination shows that the malfunction was caused by defective material or faulty workmanship, the necessary repairs or replacements will be made free of charge. This guarantee does not apply if repairs or replacements have been made or were attempted by any one other than WALTER authorized service personnel, and does not cover any damage caused by misuse, accident, use of improper accessories, or normal wear. No other guarantee, written or verbal, is authorized.

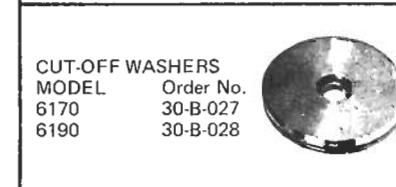
## ACCESSORIES



CHOPPER  
CUT-OFF  
STAND  
Order No.  
30-B-008



ANGLE  
BRACKET  
Order No.  
30-B-013



CUT-OFF WASHERS  
MODEL Order No.  
6170 30-B-027  
6190 30-B-028

WALTER High Speed Abrasives for all applications:

- grinding and cut-off wheels
- sanding discs
- cup wheels and wire brushes
- and the original WALTER Rondeller

For your complete catalogue of WALTER High Speed Abrasives contact your local WALTER distributor, or directly the WALTER sales and service location nearest you.

GUARD with adjustable foot  
MODEL Order No.  
6170 30-B-025  
6190 30-B-026



## WALTER-METABO OFFERS A COMPLETE LINE OF INDUSTRIAL POWER TOOLS AND ACCESSORIES



Straight drills with capacities up to 7/8" in steel and hammer drills up to 1-1/4" in masonry and up to 2-1/2" with a core drill

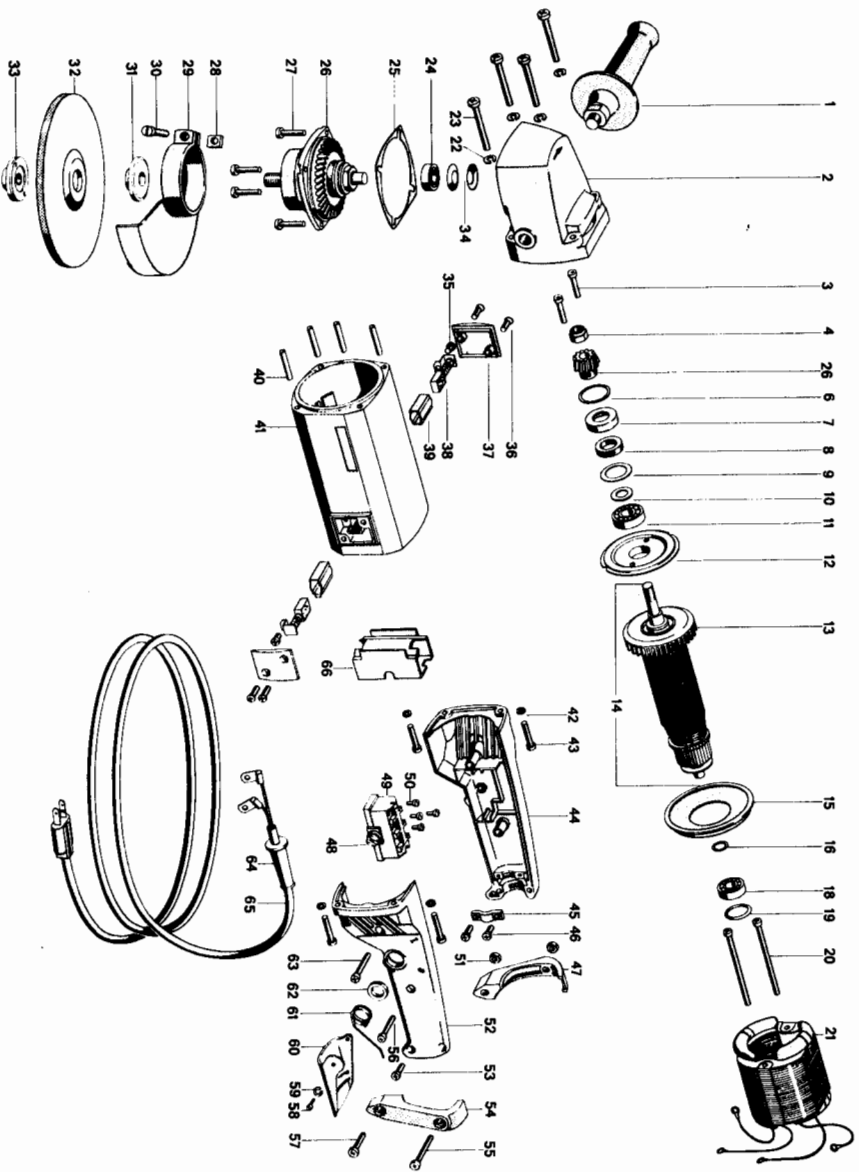


Angle grinders from 4-1/2" to 9" wheels dia., point grinders, straight grinders, bench grinders and power saws



Rotary hammers with capacities up to 1-3/8" in masonry, or 4" with a core drill, orbital sanders, installation drivers, shears, nibblers, magnetic drilling units and other specialized tools

# SPARE PARTS PIECES DE RECHANGE



No.	* Ordering No.	Description:	No.	Ordering No.	Description:
No. de Commande:			No. de Commande:		
1	30-M-243	Side Handle	36	30-S-403	Screw
2	30-L-152	Gear Housing	37	30-L-172	Cover plate
3	30-S-189	Screw	38	30-L-032	Carbon brush
4	30-L-153	Hexagon Nut, 6170	39	30-L-173	Brush holder
5	30-L-183	Hexagon Nut, 6190	40	30-L-174	Alignment sleeve
6	30-L-154	Washer 0,1 mm	41	30-L-175	Motor housing
7	30-L-155	Washer 0,15 mm	42	30-L-012	Washer
8	30-L-156	Washer 0,2 mm	43	30-M-376	Handle compl.
9	30-M-562	Felt ring	44	30-L-028	Cable clamp
10	30-L-158	Washer	45	30-S-746	Screw
11	30-Q-108	Ball bearing	46	30-L-041	Handle guard, left
12	30-L-159	Clamp disc	47	30-L-036	Connecting piece
13	30-L-160	Fan	48	30-L-035	Switch
14	30-L-161	Armature, 6170	49	30-S-737	Screw
15	30-L-162	Vent plate	50	30-K-401	Hexagon nut
16	30-L-163	Spacer ring	51		Incl. in no. 44
17	30-L-164	Washer	52	30-S-742	Screw
18	30-Q-007	Ball bearing	53	30-L-042	Handle guard, right
19	30-L-165	O-Ring	54	30-S-539	Screw
20	30-S-760	Screw	55	30-S-743	Screw
21	30-L-166	Field	56	30-S-529	Screw
22	30-K-105	Lockwasher	57	30-S-003	Screw
23	30-Q-109	Screw	58	30-K-101	Lockwasher
24	30-L-167	Ball bearing	59	30-L-040	Switch lever
25	30-L-168	Seal	60	30-L-038	Felt ring
26	30-L-180	Clutch/Gear Ass'y, 6170	61	30-L-039	Spring
27	30-S-149	Screw	62	30-S-744	Screw
28	30-K-479	Square nut	63	30-L-178	Cable sleeve
29	30-L-169	Wheel guard, 6170	64	30-Z-206	Cord set complete
30	30-L-181	Wheel guard, 6190	65	30-M-986	DC Conversion kit
31	30-S-544	Screw		30-L-191	Special 7" wheel
33	30-L-170	Flange		30-L-205	Special 9" wheel
34	30-L-171	Clamp nut		30-M-881	General maintenance kit
35	30-M-070	Plate spring		30-M-984	Switch conversion kit
	30-S-737	Screw		30-M-791	Bearing grease tube
				34-B-007	Spanner
				34-B-008	Pin key
					Ciè à fourche
					Ciè crochét

0578-5 M  
B 775