

## Wide Band "5" OSCILLOSCOPE

Wired and Kit

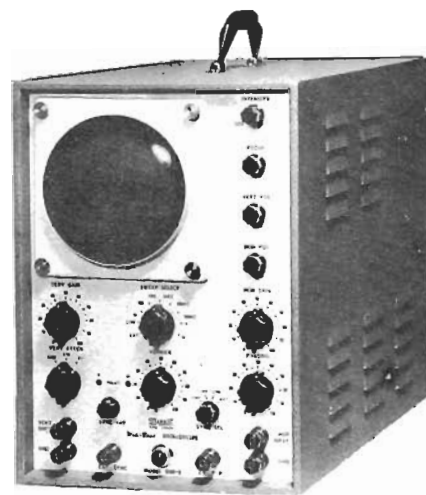
### Features

- Freq. Response Within 5 db at 5 mc.
- Rise Time Less Than .08 Micro Seconds
- 3 Position Atten. Freq. Compensated
- Utilizes Superior 5DEP1 CRT

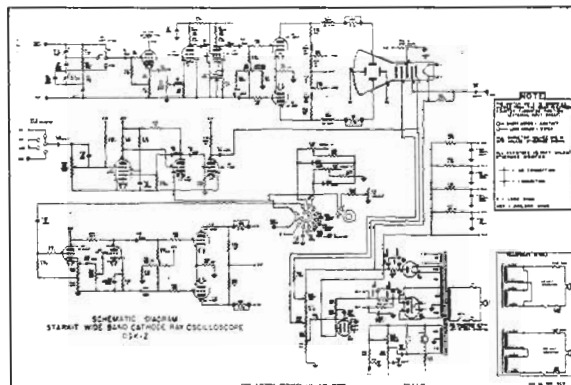
The STARKIT MODEL OSK-2 is especially designed for the technician and instructor to meet the requirements of colour servicing. The exceptional stability, low hum, wide frequency response and fast rise time makes it ideal for the service technician, Educator and for Industrial Applications.

The oscilloscope has a three position frequency compensated attenuator push pull operation with full two inch vertical positions and extremely wide horizontal positioning... horizontal gain control of the cathode follower type... selector switch allows use of an external signal through a panel terminal, of an internal line frequency, phase controlled or of the internal sweep signal... Synchronization - internal positive or negative locking signal self limiting circuit, provision made for external variable sync. input... positive retrace blanking regardless of sweep frequency... Direct access to Vertical deflection plate. Astigmatism control. Built in Calibration IVP. P

Built for rugged use the OSK-2 is housed in a sturdy "New look" steel case with smart buff grey crackle finish and with etched aluminum satin finished panel. All operating controls are located on the front panel with each clearly marked. The unit has four rubber feet thus making it ideal to place on the best of furniture.



Starkit Model OSK-2



### Specifications

#### Vertical Amplifier

Frequency Response  
Less than 1 db down from  
10 CPS to 3.58 mc. 5 db  
down at 5 mc.

Sensitivity  
.030 Volts (RMS) per inch  
at 1 kc.

Rise Time  
Less than .08 Micro seconds

Input Impedance  
(a) Attenuator x 1, 3 meg/20  
mmfd. paralleled.  
(b) Attenuator x 10 and x 100,  
3.3 meg/10 mmfd paralleled.

Maximum Input Volts  
600 Volts Peak to Peak.

#### Z AXIS MODULATION:

CRT intensity modulated. 10 to 20  
volts RMS required.

MADE IN CANADA

#### Horizontal Amplifier

Sensitivity  
.25 Volts (RMS) per inch.

Frequency Response  
Flat within + 3 db from  
5 cps to 350 kc.

Input Impedance  
4.7 meg shunted by 30 mmfd.

#### Sweep Generator

Sweep Generator  
(a) From 10 cps to 500 kc  
variable in five steps.  
(b) Two preset sweep frequencies  
30 cycles, 7875 cycles.

#### PHASING CONTROL:

Controlled phase shift for line  
sweep applications, variable  
from 0 to 150 degrees.

#### TUBE COMPLEMENT:

1-6C4, 1-6AN8, 1-12BH7 (Vertical  
Amplifier)  
1-6DT6, 1-12AU7 (Sweep Generator  
Sync. Amplifier, Blanking Amplifier)  
2-12AU7 (Horizontal Amplifier)  
1-1V2 (High Voltage Rectifier)  
1-6X4 (Low Voltage Rectifier)  
1-6C4 (Voltage Regulator)  
1-5DEP1 (Cathode Ray Tube)

#### VOLTAGE CALIBRATOR:

Built in source 1 volt peak-to-peak  
60 cycles, accurately calibrated  
input attenuator permits voltage  
measurements over a range of  
10, 000 to 1.

#### DIMENSIONS & WEIGHT:

9-1/2" wide, 13-1/8" high, 18" deep  
30 pounds.



**STARK**

