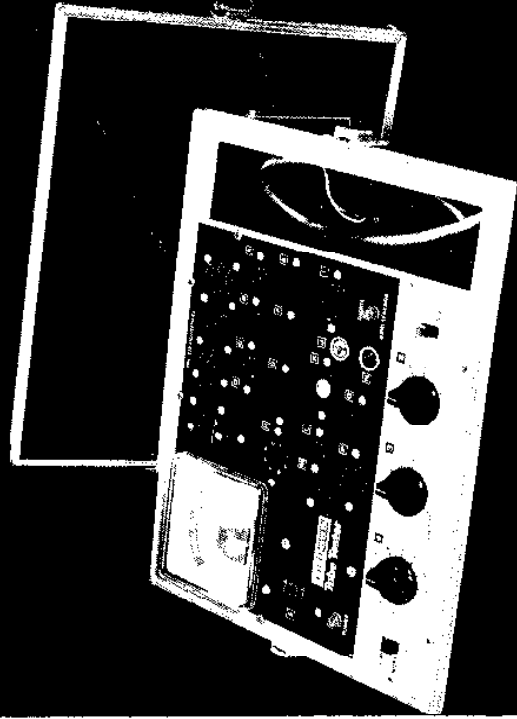




**OPERATING
INSTRUCTIONS
AND TUBE DATA
FOR
EICO MODEL 635
TUBE TESTER**



EICO Electronic Instrument Co., Inc., 283 Malta Street, Brooklyn, N. Y. 1

General Description

The Model 635 tube tester is a portable instrument providing high speed testing of T. V., Radio and Industrial types of tubes.

An accessory compartment in the luggage-type carrying case holds the test cable for picture tubes and the line cord.

The cable supplied in this compartment will enable you to test the standard 12 pin and the 8 pin 110° tubes. A listing of these types of picture tubes is not necessary (since an emission test is made and all tubes are tested alike).

WARRANTY

Please read the enclosed warranty and note that the registration card accompanying each unit should be filled in and returned to the company within 10 days of purchase. The warranty applies only if we have your registration card on file.

General Information

1. Set all switches before inserting the tube in its socket.
2. 1st test for shorts before making quality test.
3. If "shorts-grid leakage" indicator glows when tube is inserted in its proper socket do not test for quality. Damage to the circuit of the tube tester may occur or you may damage the tube.
4. Tubes listed with a "#" next to it is read on diodes O. K. scale.

Tube Testing Procedure

1. Connect the line cord to a 117 V. 60 cycle supply.
2. Set switches as indicated next to tube listing. If more than 1 line is indicated remove the tube before setting the switches for the 2nd test.
3. Insert the tube in its proper socket and allow a sufficient time for the tube to warm up.
4. Check the "shorts-grid leakage" jewel, if there is a glow it indicates a shorted tube, make no further tests on the tube.
5. If there is no glow on the "shorts-grid leakage" jewel, test for quality. (Read correct scale).
6. If the tube tests good then check for a screen short.
7. Under the column listed as Sht Test you may find a notation listed as 2 or 4. Move that designated switch to the position indicated in the column. Any glow on the "shorts-grid leakage" jewel will indicate a short between Grid 1 and Grid 2. This will indicate a shorted tube and it should be discarded.

Testing Picture Tubes (Standard 12 pin and 8 pin 110° tubes only)

1. Set switch "1" to position "A".
2. Set switch "2" to position "12".
3. Set switch "3" to the proper filament voltage for the tube under test. (You will find the proper filament voltage listed in your tube manuals).
4. Voltage selection "switch #3"
 - "2. 35 to 2. 68" volts use position "C".
 - "4. 7 volts" use position "D".
 - "6. 3 to 8. 4 volts" use position "E".
 - "12. 6 volts use position "F".
5. Allow a sufficient time for the tube to warm up.
6. If the "shorts-grid leakage" jewel lights brightly a low resistance short is indicated. If the jewel lights up with a faint glow it indicates a high resistance short or a gassy tube.
7. Press the "test for quality" switch to test and read the meter. Any reading of above 20 on the upper scale "0 to 100" represents a good tube.

TUBE TYPE	1	2	3	4	Skt	Sht Test	TUBE TYPE	1	2	3	4	Skt	Sht Test	TUBE TYPE	1	2	3	4	Skt	Sht Test
3DZ4	A	5	C	6	L	2-6	4AU6	A	7	D	1	L	2-6	4GK5	A	1	D	2	L	2-6
3DZ11	A	1	C	2	A		4AV6	A	2	D	1	L		4GM6	A	2	D	1	L	
3E5	B	6	C	12	M	4-3	4AV6#	C	2	D	5	L	2-2	4G8	A	1	D	7	A	2-2
3E6	B	6	C	12	H	4-3	4AV6#	C	2	D	6	L	2-6	4GW5	A	5	D	6	L	2-6
3EA5	A	2	C	1	L	2-6	4AB6	A	7	D	1	L	2-6	4GX6	A	2	D	1	L	2-6
3EH7	A	1	C	2	A	2-8	4BC5	A	7	D	1	L	2-6	4GX7	A	1	D	9	A	2-7
3EJ7	A	1	C	2	A	2-8	4BC8	A	3	D	2	A	2-6	4GX7	A	1	D	2	A	2-6
3EM7	A	3	C	1	E		4BC8	A	8	D	7	A	2-6	4GZ5	A	1	D	2	L	2-6
3EM7	A	6	C	4	E		4BE6	A	2	D	1	L	2-6	4HA5	A	2	D	1	L	
3ER5	A	1	C	2	L	2-6	4BK7	A	3	D	2	A		4HA7	A	4	D	9	I	
3ES5	A	1	C	2	L	2-6	4BK7	A	8	D	7	A	2-3	4HA7	A	3	D	11	I	
3EV5	A	2	C	1	L	2-6	4BL8	A	7	D	2	A	2-3	4HC7	A	3	D	11	I	
3FH5	A	1	C	2	L		4BL8	A	8	D	9	A		4HC7	A	4	D	9	I	
3FQ5	A	1	C	2	L	2-6	4BN4	A	1	D	2	L	2-6	4HG8	A	3	D	6	A	2-9
3FS5	A	2	C	1	L	2-6	4BN6	B(S)1	D	5	L	L	2-6	4HG8	A	1	D	2	A	
3FY5	A	1	C	2	L		4BQ7	A	3	D	2	A		4HK5	A	2	D	1	L	
3GK5	A	1	C	2	L	2-2	4BQ7	A	8	D	7	A	2-6	4HM5	A	2	D	1	L	2-8
3GS8	A	1	C	7	A	2-6	4BS8	A	3	D	2	A	2-6	4HM6	A	1	D	2	A	2-8
3GU5	A	2	C	1	L	2-6	4BS8	A	8	D	7	A	2-6	4HM6	A	1	D	2	A	2-8
3GW5	A	5	C	6	L	2-6	4BU8	A	1	D	7	A	2-2	4HQ5	A	2	D	1	L	2-1
3GZ5	A	1	C	2	L	2-6	4BX8	A	3	D	2	A	2-2	4HS8	A	1	D	7	A	2-2
3HA5	A	2	C	1	L	2-6	4BX8	A	8	D	7	A	2-6	4HT6	A	1	D	2	A	2-8
3HE7	A	4	C	2	I	2-11	4BY6	A	2	D	1	L	2-6	4JC6	A	1	D	2	A	2-8
3HE7	A	8	C	9	I	2-11	4BZ6	A	2	D	1	L	2-6	4JD6	A	1	D	2	A	2-8
3HF5	A	9	C	10	I	2-11	4BZ7	A	3	D	2	A	2-6	4JH6	A	2	D	1	L	2-6
3HG8	A	3	C	2	A	2-9	4BZ7	A	8	D	7	A	2-6	4JK6	A	2	D	1	L	2-6
3HK5	A	2	C	1	L	2-9	4BZ8	A	3	D	2	A	2-6	4JL6	A	2	D	1	L	2-6
3HM5	A	2	C	1	L	2-9	4BZ8	A	8	D	7	A	2-6	4JN8	A	3	D	1	A	2-6
3HM6	A	2	C	1	A	2-11	4CB6	A	2	D	1	L	2-6	4JN8	A	8	D	9	A	2-7
3HQ5	A	2	C	1	L	2-9	4CE5	A	2	D	1	L	2-6	4KE8	A	7	D	2	A	2-3
3HS8	A	1	C	7	A	2-2	4CM4	A	3	D	2	A	2-6	4KE8	A	8	D	9	A	2-3
3HT6	A	1	C	2	A	2-8	4CM6	A	7	D	3	A	2-1	4KF8	A	1	D	7	A	2-2
3JC6	A	1	C	2	A	2-8	4CP6	A	2	D	1	L	2-6	4KN8	A	3	D	2	A	2-2
3JD6	A	1	C	2	A	2-8	4CX7	A	3	D	2	A	2-6	4KN8	A	8	D	7	A	2-8
3JG6	A	3	C	2	I	2-8	4CX7	A	8	D	7	A	2-6	4KT6	A	1	D	2	A	2-8
3KF8	A	1	C	7	A	2-2	4CY5	A	2	D	1	L	2-6	4LJ8	A	3	D	1	A	2-8
3KT6	A	1	C	2	A	2-8	4DE6	A	2	D	1	L	2-6	4M-P12	A	2	D	1	L	2-7
3LE4	A	6	C	12	H	4-3	4DK6	A	2	D	1	L	2-6	4M-P26	A	2	C	1	L	2-6
3LF4	A	6	C	12	H	4-3	4DL4	A	2	D	1	A	2-6	4R-HH2	A	3	D	2	A	2-6
3Q4	A	3	C	12	M	4-4	4DT6	A	2	D	1	L	2-6	4R-HH2	A	8	D	7	A	2-6
3Q5	A	5	C	12	D	4-4	4EH7	A	1	D	2	A	2-6	4R-HH8	A	3	D	2	A	2-6
3S4	B	3	C	12	M	4-4	4EJ7	A	1	D	2	A	2-4	4R-HH8	A	8	D	7	A	2-4
3SF	B	3	C	12	M	4-4	4ER5	A	1	D	2	L	2-4	4R-HH8	A	8	D	7	A	2-4
3V4	A	6	C	12	M	4-3	4ES8	A	3	D	2	A	2-6	5AF4	A	5	D	2	L	2-6
3W4	A	3	C	12	M	4-4	4ES8	A	8	D	7	A	2-6	5AM8	A	1	D	2	A	2-3
4A6	B	4	D	12	D	2-8	4EW6	A	2	D	1	L	2-6	5AM8#	A	7	D	8	A	2-3
4A6	B	5	D	12	D	2-8	4FY5	A	1	D	2	L	2-6	5AN8	A	3	D	2	A	2-6
4AB8	A	3	D	2	A	2-8	4GJ7	A	1	D	2	A	2-7	5AN8	A	8	D	7	A	2-7
4AB8	A	3	D	9	A	2-8	4GJ7	A	1	D	9	A	2-7	5AQ4#	A	3	D	1	A	2-7

TUBE TYPE	Sht Test	Skt	1	2	3	4	TUBE TYPE	Sht Test	Skt	1	2	3	4	TUBE TYPE	Sht Test	Skt	1	2	3	4	TUBE TYPE	Sht Test	Skt
6AR11	2-3	I	A	6	E	5	6AZ8		A	A	7	E	9	6BF8#		A	A	6	E	9	6BF8#		A
6AR11	2-9	I	A	11	E	10	6AZ8	2-2	A	A	3	E	6	6BF11		A	A	2	E	3	6BF11		A
6AS5	2-6	L	A	1	E	2	6B4		A	A	5	E	12	6BF11		A	A	9	E	8	6BF11		A
6AS6	2-6	L	A	2	E	1	6B6		A	A	8	E	11	6BG6		A	A	3	E	5	6BG6		A
6AS7		E	A	3	E	1	6B6#		C	A	8	E	4	6BH3#		A	A	9	E	7	6BH3#		A
6AS7	2-1	E	A	6	E	4	6B6#		C	A	8	E	5	6BH5		A	A	2	E	2	6BH5		A
6AS8		A	A	3	E	2	6B8		A	A	8	E	11	6BH6		A	A	2	E	1	6BH6		A
6AS8#		A	D	8	E	6	6B8#		C	A	8	E	4	6BH8		A	A	1	E	2	6BH8		A
6AS11		I	A	7	E	3	6B8#		C	A	8	E	5	6BH8		A	A	6	E	7	6BH8		A
6AS11		I	A	5	E	6	6B10		C	A	2	E	3	6BH11		A	A	2	E	4	6BH11		A
6AS11	2-10	I	A	9	E	11	6B10		A	A	2	E	8	6BH11		A	A	5	E	6	6BH11		A
6AT6		L	A	2	E	1	6B10#		A	A	9	E	8	6BH11		A	A	7	E	4	6BH11		A
6AT6#		L	A	2	E	5	6B10#		A	A	9	E	10	6BH11		A	A	5	E	8	6BH11		A
6AT6#		L	A	2	E	6	6BA3#		A	A	9	E	7	6BJ3#		A	A	7	E	4	6BJ3#		A
6AT8		A	A	3	E	1	6BA6		A	A	7	E	7	6BJ5		A	A	2	E	1	6BJ5		A
6AU4#	2-7	A	A	3	E	9	6BA7		A	A	3	E	2	6BJ6		A	A	1	E	2	6BJ6		A
6AU5	2-8	E	A	3	E	5	6BA8	2-6	A	A	1	E	2	6BJ7#		A	A	7	E	6	6BJ7#		A
6AU6	2-6	L	A	7	E	1	6BA8		A	A	6	E	7	6BJ7#		A	A	9	E	8	6BJ7#		A
6AU7		L	A	8	E	2	6BA11		A	A	8	E	4	6BJ8		A	A	3	E	6	6BJ8		A
6AU7		L	A	3	E	2	6BA11		A	A	10	E	9	6BJ8#		A	A	2	E	6	6BJ8#		A
6AU8		A	A	1	E	2	6BC4	2-6	C	A	2	E	1	6BK4		A	A	1	E	5	6BK4		A
6AV4#	2-8	L	A	6	E	7	6BC5		A	A	6	E	7	6BK5		A	A	2	E	7	6BK5		A
6AV4#		L	A	7	E	1	6BC7#		A	A	1	E	2	6BK6		A	A	2	E	2	6BK6		A
6AV5		L	A	7	E	6	6BC7#		A	A	9	E	8	6BK6#		A	A	2	E	5	6BK6#		A
6AV6	2-8	L	A	2	E	1	6BC8		A	A	3	E	2	6BK6#		C	A	2	E	6	6BK6#		A
6AV6#		L	A	2	E	5	6BC8		A	A	8	E	7	6BK7		A	A	3	E	2	6BK7		A
6AV11		L	A	3	E	6	6BD4		D	A	1	E	5	6BK7		A	A	8	E	7	6BK7		A
6AV11		L	A	3	E	11	6BD5		A	A	3	E	1	6BK8		A	A	3	E	9	6BK8		A
6AV11		I	A	6	E	7	6BD6	2-8	A	A	7	E	1	6BK8		A	A	3	E	11	6BK8		A
6AV11		I	A	7	E	7	6BD7	2-6	A	A	3	E	2	6BK11		A	A	6	E	9	6BK11		A
6AV11		I	A	4	E	9	6BD7#		C	A	4	E	6	6BK11		A	A	4	E	9	6BK11		A
6AW8		A	A	1	E	2	6BD7#		C	A	3	E	8	6BK11		A	A	3	E	5	6BK11		A
6AW8	2-8	A	A	6	E	2	6BD11		A	A	3	E	3	6BL4#		A	A	3	E	1	6BL4#		A
6AX3#		I	A	7	E	4	6BD11		A	A	5	E	6	6BL7		A	A	6	E	4	6BL7		A
6AX4#		E	A	3	E	5	6BD11		A	A	9	E	11	6BL7		A	A	8	E	9	6BL7		A
6AX5#		D	A	8	E	3	6BE3#		A	A	7	E	10	6BL8		A	A	8	E	2	6BL8		A
6AX5#		D	A	8	E	5	6BE6	2-6	A	A	2	E	1	6BL8		A	A	2	E	2	6BL8		A
6AX6#		D	A	4	E	3	6BE7	2-1	A	A	8	E	7	6BL8		A	A	2	E	3	6BL8		A
6AX6#		D	A	8	E	5	6BE8		A	A	3	E	1	6BM5		A	A	2	E	1	6BM5		A
6AX7		A	A	3	E	2	6BE8	2-7	A	A	8	E	9	6BM8		A	A	1	E	2	6BM8		A
6AX7		A	A	8	E	7	6BF5	2-6	A	A	2	E	1	6BM8		A	A	3	E	2	6BM8		A
6AX8		A	A	8	E	9	6BF6		B(s)	1	3	E	5	6BN4		A	A	1	E	2	6BN4		A
6AX8	2-3	A	A	7	E	2	6BF6#		A	A	2	E	2	6BN5		A	A	3	E	2	6BN5		A
6AY3#		K	A	2	E	2	6BF6#		C	A	2	E	1	6BN6		A	A	6	E	3	6BN6		A
6AY11#		I	A	9	E	7	6BF6#		C	A	6	E	6	6BN7		A	A	3	E	2	6BN7		A
6AY11#		I	A	11	E	10	6BF8#		C	A	9	E	5	6BN7		A	A	6	E	7	6BN7		A
6AY11		I	A	4	E	5	6BF8#		A	A	6	E	2	6BN8		A	A	9	E	8	6BN8		A
6AY11		I	A	9	E	8	6BF8#		A	A	6	E	7	6BN8#		A	A	2	E	6	6BN8#		A
		I	A	8	E	8	6BF8#		A	A	6	E	8	6BN11		A	A	2	E	1	6BN11		A

TUBE TYPE	Sht Test	1	2	3	4	Skt	Sht Test	1	2	3	4	Skt	TUBE TYPE	Sht Test	1	2	3	4	Skt	Sht Test	1	2	3	4	Skt	
6BY8#		A	3	E	6	A		A	6	E	6	A	6DT5		A	7	E	6	A		A	2-1	2-6			
6BY11	2-6	A	3	E	3	A	2-8	A	3	E	3	A	6DT6	2-1	A	2	E	1	L		A	2-6				
6BY11	2-10	A	9	E	2	A		A	3	E	2	A	6DT8	2-9	A	3	E	2	A		A					
6BZ3#		A	7	E	8	I		A	8	E	1	D	6DT8		A	5	E	2	L		A					
6BZ6	2-6	A	2	E	1	L	2-1	A	1	E	2	A	6DV4		A	7	E	6	N		A					
6BZ7		A	3	E	2	A		A	5	E	1	L	6DW4#		A	9	E	7	K		A	2-1				
6BZ7		A	8	E	7	A		A	8	E	2	A	6DW5	2-6	A	7	E	6	A		A					
6BZ8		A	3	E	2	A		A	5	D	5	D	6DX8		A	3	E	1	A		A					
6BZ8		A	8	E	7	A		A	8	E	2	A	6DX8		A	7	E	8	A		A	2-9				
6C4		A	7	E	6	L	2-7	A	3	E	7	I	6DY5		A	3	E	2	A		A	2-9				
6C5		A	8	E	5	D		A	6	E	7	I	6DY7		A	8	E	1	D		A					
6C8		A	4	E	11			A	3	E	9	I	6DY7		A	8	E	1	D		A	2-4				
6C8		A	8	E	5	D	2-4	A	2	E	5	E	6DZ4		A	5	E	6	L		A					
6C9		A	10	E	1	A	2-1	A	2	E	1	A	6DZ7		A	8	E	1	D		A	2-4				
6C9	2-2	A	6	E	9	A		A	3	E	2	A	6DZ7	2-8	A	8	E	1	D		A					
6C10	2-8	A	4	E	7	A		A	9	E	8	A	6DZ7		A	8	E	5	D		A	2-4				
6C10		A	6	E	7	I		A	8	E	9	A	6DZ8		A	8	E	1	A		A					
6C10		A	3	E	11			A	2	E	3	A	6DZ8		A	2	E	1	A		A	2-7				
6C12		A	3	E	9	A		A	8	E	5	D	6E8		A	8	E	3	D		A	2-4				
6C12	2-1	A	3	E	2	A		A	6	E	7	A	6EA4		A	8	E	11			A	2-4				
6C16		A	8	E	9	A		A	3	E	2	A	6EA5		B	5	E	6	I		A	2-6				
6C16	2-3	A	7	E	2	A	2-6	A	3	E	8	A	6EA7		A	2	E	1	L		A	2-6				
6C31	2-4	A	8	E	11			A	3	E	4	E	6EA7		A	6	E	4	E		A	2-4				
6C31		A	8	E	5	D		A	2	E	1	L	6EA8		A	8	E	9	A		A	2-6				
6CA4#		A	3	E	1	A	2-3	A	9	E	2	A	6EA8	2-6	A	7	E	2	A		A	2-3				
6CA4#		A	3	E	7	A	2-6	A	7	E	2	A	6EB5#		A	1	E	7	L		A	2-4				
6CA5	2-6	A	1	E	2	L		D	1	E	2	L	6EB5#	2-4	A	5	E	2	L		A	2-8				
6CA7	2-4	A	8	E	5	D		A	8	E	9	A	6EB8		A	1	E	2	A		A					
6CB5	2-1	A	4	E	4	D		A	3	E	2	A	6EB8		A	6	E	7	A		A	2-8				
6CB6	2-6	A	2	E	1	L		A	8	E	7	A	6EC4#		A	11	E	2	O		A					
6CD3#		A	7	E	4	I		A	2	E	1	L	6ED4		A	8	E	8	O		A					
6CD6	2-8	A	3	E	5	D		A	9	E	3	A	6EF4		B	1	E	6	I		A	2-4				
6CD7		D	8	E	4	D		A	8	E	7	A	6EF6	2-6	B	5	E	5	D		A	2-6				
6CE3		A	7	E	4	I		A	8	E	9	A	6EG6		A	2	E	1	L		A	2-6				
6CE5	2-6	A	2	E	1	L		A	3	E	2	A	6EH5	2-3	A	2	E	2	L		A	2-8				
6CF6	2-6	A	2	E	1	L		A	3	E	5	E	6EH7		A	1	E	2	A		A	2-8				
6CF8	2-1	A	3	E	9	A		A	8	E	5	D	6EH8	2-8	A	1	E	2	A		A	2-8				
6CG3#		A	7	E	4	I		A	6	E	4	E	6EM5		A	7	E	3	A		A	2-1				
6CG6	2-6	A	7	E	1	L		A	6	E	4	E	6EM7		A	3	E	1	E		A					
6CG7	2-6	A	3	E	2	A		A	8	E	5	E	6EM7		A	6	E	4	E		A	2-8				
6CG8	2-1	A	3	E	9	A		A	8	E	2	A	6EQ7#		A	1	E	2	A		A	2-8				
6CG8	2-6	A	7	E	1	L		A	6	E	7	A	6EQ7#		A	3	E	8	A		A	2-6				
6CH3#		A	3	E	7	A		A	7	E	4	J	6ER5		B	3	E	2	A		A	2-6				
6CH6	2-7	A	3	E	9	A		A	7	E	2	A	6ES5		A	8	E	7	A		A	2-6				
6CH6	2-8	A	3	E	2	A		A	8	E	2	A	6ES5	2-6	A	1	E	2	L		A	2-6				
6CH7		A	3	E	7	A		A	6	E	7	A	6ES6	2-1	A	1	E	2	L		A	2-6				
6CH7		A	8	E	7	A		A	1	E	8	A	6ES8		A	2	E	1	L		A	2-6				
6CH8	2-3	A	6	E	7	A		A	2	E	1	L	6ES8		A	3	E	6	A		A	2-6				

TUBE TYPE	Sht Test	TUBE TYPE	Sht Test	TUBE TYPE	Sht Test	TUBE TYPE	Sht Test	TUBE TYPE	Sht Test
6ES8		6GL7		6GL7		6GL7		6GL7	
6ET6	2-6	6GL7		6GL7		6GL7		6GL7	
6ET7	2-8	6GM5	2-1	6GM5		6GM5		6GM5	
6ET7#		6GM6	2-6	6GM6		6GM6		6GM6	
6ET7#		6GM8		6GM8		6GM8		6GM8	
6EU7		6GM8		6GM8		6GM8		6GM8	
6EU8		6GN6		6GN6		6GN6		6GN6	
6EU8	2-9	6GN8		6GN8		6GN8		6GN8	
6EV5		6GQ7#		6GQ7#		6GQ7#		6GQ7#	
6EV7		6GQ7#	2-6	6GQ7#		6GQ7#		6GQ7#	
6EV7		6GQ7#	2-6	6GQ7#		6GQ7#		6GQ7#	
6EW6		6GS8		6GS8		6GS8		6GS8	
6EW7	2-6	6GT5		6GT5		6GT5		6GT5	
6EW7		6GU5		6GU5		6GU5		6GU5	
6EW8		6GU7		6GU7		6GU7		6GU7	
6EX6		6GU7		6GU7		6GU7		6GU7	
6EY6	2-8	6GV5		6GV5		6GV5		6GV5	
6EZ5	2-4	6GV7		6GV7		6GV7		6GV7	
6EZ8	2-4	6GV7		6GV7		6GV7		6GV7	
6EZ8		6GV8		6GV8		6GV8		6GV8	
6F5		6GW5		6GW5		6GW5		6GW5	
6F6		6GW6		6GW6		6GW6		6GW6	
6F8	2-4	6GW8		6GW8		6GW8		6GW8	
6F8		6GX6		6GX6		6GX6		6GX6	
6F12		6GX7		6GX7		6GX7		6GX7	
6F18	2-7	6GX7		6GX7		6GX7		6GX7	
6F19	2-8	6GY5		6GY5		6GY5		6GY5	
6F20	2-8	6GY5		6GY5		6GY5		6GY5	
6FA7	2-8	6GY6		6GY6		6GY6		6GY6	
6FA7#		6GY8		6GY8		6GY8		6GY8	
6FD6	2-6	6GY8		6GY8		6GY8		6GY8	
6FD7		6GZ5		6GZ5		6GZ5		6GZ5	
6FD7		6H4#		6H4#		6H4#		6H4#	
6FD10		6H6#		6H6#		6H6#		6H6#	
6FE5	2-4	6HA5		6HA5		6HA5		6HA5	
6FG5	2-6	6HA6		6HA6		6HA6		6HA6	
6FG6		6HA7		6HA7		6HA7		6HA7	
6FG7		6HA7		6HA7		6HA7		6HA7	
6FG7	2-7	6HA7		6HA7		6HA7		6HA7	
6FH5	2-6	6HB5		6HB5		6HB5		6HB5	
6FH6		6HB6		6HB6		6HB6		6HB6	
6FH8	2-4	6HB7		6HB7		6HB7		6HB7	
6FH8		6HB7		6HB7		6HB7		6HB7	
6FJ7	4-7	6HC8		6HC8		6HC8		6HC8	
6FJ7		6HC8		6HC8		6HC8		6HC8	
6FM7		6HD5		6HD5		6HD5		6HD5	
6FM7		6HD5		6HD5		6HD5		6HD5	

TUBE TYPE	Sht Test	1	2	3	4	Skt	Sht Test	1	2	3	4	Skt	TUBE TYPE	Sht Test	1	2	3	4	Skt	Sht Test	1	2	3	4	Skt
6J11	2-9	A	5	E	6	I	6K11	A	6	E	7	I	6LB8	2-8	A	1	E	2	A	6M-HH3	A	7	E	5	L
6J11	2-7	A	11	E	4	I	6K11	A	4	E	9	I	6LB8	2-8	A	6	E	7	A	6M-HH3	A	7	E	6	L
6JA8	2-8	A	2	E	3	A	6KA8	A	3	E	2	A	6LC6	2-8	B	6	E	5	D	6MJ8	A	3	E	8	I
6JA8	2-1	A	7	E	6	A	6KA8	A	3	E	6	A	6LC8	2-3	A	7	E	2	A	6MJ8	A	3	E	10	I
6JB6	2-8	A	2	E	5	I	6KD6	A	2	E	5	I	6LC8	2-3	A	3	E	11	I	6MJ8	A	3	E	11	I
6JC6	2-8	A	1	E	2	A	6KD8	A	7	E	2	A	6LD6	2-8	A	1	E	7	A	6MK8	A	3	E	7	A
6JC8	2-3	A	8	E	8	A	6KD8	A	8	E	9	A	6LD12	2-3	A	3	E	9	A	6N3#	A	3	E	9	A
6JC8	2-8	A	2	E	2	A	6KE8	A	7	E	2	A	6LD12#	2-3	A	7	E	6	A	6N4	A	2	E	1	L
6JD6	2-8	A	2	E	2	A	6KE8	A	8	E	9	A	6LD12#	2-2	A	7	E	1	A	6N6	A	8	E	5	D
6JE6	2-1	A	3	E	1	K	6KF8	A	1	E	7	A	6LE8	2-3	A	3	E	4	D	6N7	A	8	E	4	D
6JE8	2-8	A	1	E	9	E	6KG6	A	9	E	1	O	6LF8	2-6	A	3	E	5	D	6N7	A	8	E	5	D
6JF6	2-1	A	6	E	2	A	6KL8	A	3	E	2	A	6LF8	2-1	A	1	E	9	A	6N8	A	3	E	2	A
6JF6	2-1	A	3	E	2	K	6KL8#	C	3	E	8	A	6LF8	2-8	A	6	E	7	A	6N8#	A	3	E	7	A
6JH6	2-6	A	2	E	1	L	6KM6	A	6	E	7	A	6LH6	2-1	B	6	E	5	D	6N8#	A	3	E	8	A
6JH8	2-6	A	6	E	6	A	6KMB	A	6	E	7	A	6LJ8	2-8	A	3	E	9	A	6N8K	A	3	E	8	A
6JK6	2-6	A	2	E	1	L	6KMB#	C	6	E	3	A	6LJ8	2-3	A	3	E	1	A	6N8K#	C	3	E	7	A
6JK8	2-6	A	2	E	1	L	6KN6	A	2	E	5	I	6LM8	2-3	A	7	E	2	A	6N8K#	C	3	E	7	A
6JK8	2-6	A	3	E	2	A	6KN8	A	3	E	2	A	6LM8	2-3	A	8	E	2	A	6N8K#	C	3	E	7	A
6JL6	2-6	A	2	E	7	A	6KN8	A	8	E	7	A	6LN8	2-3	A	8	E	9	A	6P5	A	8	E	5	D
6JL8	2-8	A	1	E	1	L	6KR8	A	1	E	2	A	6LN8	2-1	A	7	E	2	A	6P5	A	8	E	5	D
6JL8	2-8	A	2	E	7	A	6KR8	A	6	E	2	A	6LQ6	2-8	A	3	E	2	A	6P8G	A	8	E	11	D
6JM6	2-3	A	6	E	6	A	6KS6	B(S)	1	E	5	L	6LQ6	2-2	A	1	E	2	A	6P8G	A	8	E	11	D
6JN6	2-8	A	2	E	5	I	6KS8	A	1	E	2	A	6LQ8	2-8	A	6	E	7	A	6P9	A	2	E	1	L
6JN8	2-8	A	2	E	11	I	6KS8	A	6	E	2	A	6LQ8	2-8	A	8	E	5	D	6P9	A	2	E	1	L
6JN8	2-7	A	1	E	9	A	6KT6	A	1	E	2	A	6LR8	2-8	A	3	E	2	A	6P15	A	8	E	5	D
6JN8	2-3	A	2	E	5	I	6KT8	A	1	E	2	A	6LR8	2-8	A	3	E	2	A	6P15	A	8	E	5	D
6JN8	2-7	A	2	E	7	A	6KT8	A	6	E	7	A	6LR8	2-8	A	3	E	2	A	6P25	A	8	E	5	D
6JT6	2-8	A	3	E	2	K	6KU8	A	6	E	7	A	6LR8	2-8	A	8	E	5	D	6P25	A	8	E	5	D
6JT8	2-8	A	2	E	2	A	6KU8#	A	6	E	7	A	6LR8	2-8	A	3	E	2	A	6PX6	A	8	E	5	D
6JT8	2-1	A	6	E	7	A	6KU8#	B	1	E	2	A	6LT8	2-2	A	7	E	8	A	6Q4	A	3	E	2	A
6JU6	2-1	A	3	E	2	K	6KU8#	B	1	E	3	A	6LT8	2-2	A	8	E	6	A	6Q4	A	3	E	2	A
6JU8#	2-8	A	2	E	7	A	6KV6	A	3	E	2	A	6LU8	2-8	A	9	E	10	I	6Q6	A	8	E	11	D
6JU8#	2-8	A	2	E	2	A	6KV8	A	1	E	2	A	6LU8	2-8	A	8	E	6	A	6Q6	A	8	E	11	D
6JU8#	2-8	A	3	E	2	A	6KV8	A	6	E	2	A	6LX8	2-1	A	8	E	6	I	6Q6	A	8	E	11	D
6JU8#	2-8	A	8	E	7	A	6KV8	A	6	E	7	A	6LX8	2-8	A	7	E	2	A	6Q6	A	8	E	11	D
6JV8	2-8	A	9	E	8	A	6KX8	A	2	E	1	A	6LY8	2-8	A	6	E	2	A	6Q6	A	8	E	11	D
6JV8	2-8	A	2	E	2	A	6KX8	A	8	E	9	A	6M2	2-8	A	8	E	4	D	6Q6	A	8	E	11	D
6JV8	2-8	A	1	E	2	A	6KY6	A	1	E	2	A	6M3#	2-8	A	11	E	3	F	6Q6	A	8	E	11	D
6JV8	2-8	A	6	E	7	A	6KY8	A	1	E	9	K	6M5	2-7	A	3	E	2	D	6Q6	A	8	E	11	D
6JW8	2-3	A	7	E	2	A	6KY8	A	3	E	2	K	6M6	2-7	A	8	E	5	D	6Q6	A	8	E	11	D
6JW8	2-3	A	3	E	2	A	6KZ8	A	3	E	2	A	6M11	2-7	A	10	E	2	I	6Q6	A	8	E	11	D
6JX8	2-7	A	3	E	9	A	6KZ8	A	8	E	9	A	6M11	2-4	A	4	E	5	I	6Q6	A	8	E	11	D
6JX8	2-3	A	3	E	2	A	6L5	A	8	E	5	D	6M11	2-4	A	9	E	8	I	6Q6	A	8	E	11	D
6JZ6	2-8	A	2	E	5	I	6L6	A	8	E	5	D	6M11	2-4	A	3	E	1	A	6Q6	A	8	E	11	D
6JZ8	2-8	A	9	E	9	I	6L7	A	8	E	11	D	6M11	2-4	A	7	E	6	A	6Q6	A	8	E	11	D
6JZ8	2-4	A	6	E	10	I	6L12	A	3	E	2	A	6M11	2-4	A	8	E	2	A	6Q6	A	8	E	11	D
6K5	2-4	A	8	E	11	D	6L12	A	8	E	7	A	6M11	2-4	A	7	E	6	K	6Q6	A	8	E	11	D
6K6	2-4	B	8	E	5	D	6L12	A	3	E	7	A	6M11	2-4	A	7	E	6	K	6Q6	A	8	E	11	D
6K7	2-4	A	8	E	11	D	6L13	A	3	F	2	A	6M11	2-4	A	7	E	9	K	6Q6	A	8	E	11	D
6K8	2-4	A	8	E	5	D	6L13	A	8	F	7	A	6M11	2-4	A	7	E	6	A	6Q6	A	8	E	11	D
6K11	2-4	A	3	E	5	D	6L34	A	2	E	1	L	6M11	2-4	A	7	E	6	A	6Q6	A	8	E	11	D
		A	11	E	11	I	6LB6	A	2	E	5	I	6M11	2-4	A	8	E	6	A	6Q6	A	8	E	11	D

TUBE TYPE	Sht Test	1	2	3	4	Sk	TUBE TYPE	Sht Test	1	2	3	4	Sk	TUBE TYPE	Sht Test	1	2	3	4	Sk
10GK6	2-8	A	1	F	2	A	12AS5	2-6	A	1	F	2	L	12BH7	2-6	A	3	F	4	A
10GN8	2-8	A	1	F	2	A	12AT6	2-8	A	2	F	1	L	12BH7	2-6	A	8	F	7	A
10GN8	2-8	A	6	F	7	A	12AT6#	2-8	A	2	F	5	L	12BH11	2-6	A	8	F	4	I
10GV8	2-7	A	3	F	2	A	12AT6#	2-8	A	2	F	6	L	12BH11	2-6	A	5	F	6	I
10GV8	2-6	A	8	F	9	A	12AT7	2-8	A	3	F	7	A	12BH11	2-6	A	11	F	8	I
10HA6	2-8	A	1	F	2	A	12AT7	2-8	A	8	F	2	A	12BK5	2-6	A	6	F	7	A
10HF8	2-8	A	1	F	2	A	12AU5	2-8	A	3	F	1	D	12BK6	2-6	A	2	F	1	L
10HF8	2-2	A	6	F	7	A	12AU6	2-8	A	7	F	2	A	12BK6#	2-6	C	2	F	5	L
10J10	2-8	A	3	F	11	I	12AU7	2-8	A	3	F	2	A	12BK6#	2-6	C	2	F	6	L
10J10	2-8	C(S)	8	F	6	I	12AU7	2-8	A	8	F	7	A	12BL6	2-6	A	6	F	1	L
10JA8	2-8	A	1	F	2	A	12AU8	2-3	A	1	F	7	A	12BL7	2-6	A	6	F	4	E
10JA8	2-8	A	6	F	7	A	12AV5	2-9	A	3	F	1	D	12BL7	2-6	A	3	F	1	E
10JT8	2-8	A	1	F	2	A	12AV6	2-4	A	2	F	1	L	12BM5	2-6	B(S)	1	F	1	L
10JT8	2-8	A	6	F	7	A	12AV6#	2-6	C	2	F	5	L	12BN6	2-2	A	8	F	5	L
10JY8	2-8	A	1	F	2	A	12AV6#	2-8	C	2	F	6	L	12BQ6	2-4	A	8	F	5	D
10JY8	2-8	A	6	F	7	A	12AV7	2-6	C	2	F	9	A	12BR3#	2-6	A	11	F	9	A
10KR8	2-8	A	1	F	2	A	12AV7	2-6	A	3	F	2	A	12BR7#	2-6	A	8	F	2	A
10KR8	2-8	A	6	F	7	A	12AW6	2-6	A	8	F	7	A	12BR7#	2-6	A	8	F	6	A
10KU8	2-8	A	6	F	7	A	12AX3#	2-6	A	2	F	1	L	12BR7#	2-6	A	8	F	7	A
10KU8#	2-8	B	1	F	2	A	12AX4#	2-6	A	7	F	4	I	12BS3#	2-6	A	9	F	7	K
10KU8#	2-8	B	1	F	3	A	12AX4#	2-6	A	3	F	5	E	12BT3#	2-6	A	7	F	10	I
10L14	2-8	A	3	G	2	A	12AX5#	2-6	A	8	F	3	D	12BT6	2-6	A	2	F	1	L
10L14	2-8	A	8	G	7	A	12AX5#	2-6	A	8	F	5	D	12BT6#	2-6	C	2	F	5	L
10LB8	2-8	A	1	F	2	A	12AX7	2-6	A	8	F	7	A	12BT6#	2-6	C	2	F	6	L
10LB8	2-8	A	6	F	7	A	12AX7	2-6	A	3	F	2	A	12BU6	2-6	A	2	F	1	L
10LD12	2-8	A	7	G	8	A	12AX12	2-6	A	1	F	2	A	12BU6#	2-6	C	2	F	5	L
10LD12#	2-8	A	7	G	6	A	12AY3#	2-6	A	9	F	7	K	12BU6#	2-6	C	2	F	5	L
10LD12#	2-8	A	7	G	1	A	12AY7	2-10	A	3	F	2	A	12BV7	2-6	A	1	F	6	L
10LD12#	2-8	A	3	G	2	A	12AY7	2-6	A	8	F	7	A	12BV11	2-6	A	5	F	7	I
10LD14	2-8	A	3	G	2	A	12AZ7	2-6	A	8	F	7	A	12BV11	2-6	A	8	F	6	I
10LD14	2-8	A	8	G	7	A	12AZ7	2-6	A	8	F	2	A	12BW4#	2-6	A	9	F	6	I
10LE8	2-8	A	3	F	9	A	12B4	2-6	A	1	F	2	A	12BW4#	2-6	A	9	F	1	A
10LW8	2-8	A	1	F	2	A	12B7	2-6	A	7	F	6	H	12BX6	2-6	A	3	F	2	A
10LW8	2-8	A	6	F	7	A	12B8	2-6	A	6	F	8	D	12BY7	2-6	A	1	F	2	A
10LZ8	2-8	A	1	F	7	A	12B8	2-6	A	1	F	11	D	12BZ6	2-6	A	1	F	2	A
10LZ8	2-9	A	6	F	7	A	12BA6	2-6	A	7	F	1	L	12BZ7	2-6	A	2	F	1	L
10LZ8	2-8	A	1	F	2	A	12BA6	2-6	A	1	F	2	A	12BZ7	2-6	A	3	F	2	A
10P18	2-7	A	3	H	2	A	12B-B14	2-1	A	3	F	2	A	12C5	2-6	A	8	F	7	A
10PL12	2-7	A	8	H	1	A	12B5	2-1	A	3	F	1	O	12C5	2-6	A	1	F	2	L
10PL12	2-3	A	2	H	3	A	12BD5	2-1	A	3	F	1	D	12C8	2-6	A	8	F	11	D
11AR11	2-3	A	6	F	5	I	12BD6	2-1	A	7	F	1	L	12C8#	2-6	C	8	F	4	D
11AR11	2-9	A	11	F	10	I	12BE3#	2-1	A	7	F	10	I	12C8#	2-6	C	8	F	5	D
11BM8	2-7	A	8	F	1	A	12BE6	2-1	A	2	F	1	L	12CA5	2-6	A	1	F	2	L
11BM8	2-3	A	6	F	3	A	12BE8	2-1	A	3	F	1	L	12CA5	2-6	A	1	F	2	L
11BQ11	2-9	A	5	F	5	I	12BE8	2-10	A	8	F	9	A	12CB6	2-6	A	2	F	1	L
11BQ11	2-10	A	10	F	10	I	12BF6	2-6	A	2	F	1	L	12CD6	2-6	A	3	F	5	D
11BT11	2-6	A	8	F	11	I	12BF6#	2-6	D	2	F	1	L	12CK3#	2-6	A	9	F	7	K
11BT11	2-6	A	6	F	5	I	12BF6#	2-6	D	2	F	5	L	12CL3#	2-6	A	9	F	2	K
11BT11	2-6	A	4	F	3	I	12BF11	2-6	A	2	F	6	L	12CM6	2-6	A	7	F	3	A
11C5	2-6	A	1	F	2	L	12BF11	2-6	A	9	F	8	I	12CN5	2-6	A	1	F	2	L

TUBE TYPE	Skt	Sht Test	TUBE TYPE	Skt	Sht Test	TUBE TYPE	Skt	Sht Test	TUBE TYPE	Skt	Sht Test	TUBE TYPE	Skt	Sht Test	TUBE TYPE	Skt	Sht Test
12CR6#	D	2-1	12DV7#	C	2-7	12FQ7	A	2-7	12FQ7	A	2-7	12FQ7	A	2-7	12FQ7	A	2-7
12CS5	A	2-6	12DV7#	C	2-7	12FQ8	A	2-7	12FQ8	A	2-7	12FQ8	A	2-7	12FQ8	A	2-7
12CS6	A	2-6	12DV8#	A	2-1	12FR8	A	2-1	12FR8	A	2-1	12FR8	A	2-1	12FR8	A	2-1
12CS7	A	2-7	12DV8#	A	2-1	12FR8#	B	4-6	12FR8#	B	4-6	12FR8#	B	4-6	12FR8#	B	4-6
12CT8	A	2-7	12DW4#	A	2-1	12FV7	B	2-6	12FV7	B	2-6	12FV7	B	2-6	12FV7	B	2-6
12CT8	A	2-7	12DW5	A	2-1	12FX5	A	2-6	12FX5	A	2-6	12FX5	A	2-6	12FX5	A	2-6
12CU5	A	2-6	12DW7	A	2-6	12FX8	A	2-6	12FX8	A	2-6	12FX8	A	2-6	12FX8	A	2-6
12CU6	A	2-4	12DW7	A	2-6	12FY8	A	2-4	12FY8	A	2-4	12FY8	A	2-4	12FY8	A	2-4
12CX6	A	2-6	12DW8	A	2-6	12G4	A	2-6	12G4	A	2-6	12G4	A	2-6	12G4	A	2-6
12D4#	A	2-6	12DW8#	A	2-6	12G8	A	2-6	12G8	A	2-6	12G8	A	2-6	12G8	A	2-6
12D8	A	2-1	12DW8#	A	2-6	12G11	A	2-1	12G11	A	2-1	12G11	A	2-1	12G11	A	2-1
12D8	A	2-8	12DY7	A	2-6	12G11	A	2-8	12G11	A	2-8	12G11	A	2-8	12G11	A	2-8
12DA6	A	2-8	12DY8	A	2-6	12G11	A	2-7	12G11	A	2-7	12G11	A	2-7	12G11	A	2-7
12DB5	A	2-8	12DY8	A	2-6	12G11	A	2-6	12G11	A	2-6	12G11	A	2-6	12G11	A	2-6
12DE8	A	2-8	12DZ6	A	2-6	12G11	A	2-6	12G11	A	2-6	12G11	A	2-6	12G11	A	2-6
12DE8#	A	2-8	12DZ8	A	2-6	12G11	A	2-6	12G11	A	2-6	12G11	A	2-6	12G11	A	2-6
12DF5#	A	2-8	12DZ8	A	2-6	12G11	A	2-6	12G11	A	2-6	12G11	A	2-6	12G11	A	2-6
12DF5#	A	2-8	12EA6	A	2-6	12G11	A	2-6	12G11	A	2-6	12G11	A	2-6	12G11	A	2-6
12DF7	A	2-6	12EC8	A	2-6	12G11	A	2-6	12G11	A	2-6	12G11	A	2-6	12G11	A	2-6
12DF7	A	2-6	12EC8	A	2-6	12G11	A	2-6	12G11	A	2-6	12G11	A	2-6	12G11	A	2-6
12DJ8	A	2-6	12ED5	A	2-6	12G11	A	2-6	12G11	A	2-6	12G11	A	2-6	12G11	A	2-6
12DJ8	A	2-6	12EF6	A	2-6	12G11	A	2-6	12G11	A	2-6	12G11	A	2-6	12G11	A	2-6
12DK6	A	2-6	12EG6	A	2-6	12G11	A	2-6	12G11	A	2-6	12G11	A	2-6	12G11	A	2-6
12DK7	A	2-3	12EH5	A	2-6	12G11	A	2-6	12G11	A	2-6	12G11	A	2-6	12G11	A	2-6
12DK7#	A	2-3	12EK6	A	2-6	12G11	A	2-6	12G11	A	2-6	12G11	A	2-6	12G11	A	2-6
12DK7#	A	2-3	12EK6	A	2-6	12G11	A	2-6	12G11	A	2-6	12G11	A	2-6	12G11	A	2-6
12DL8	A	2-7	12EL6	A	2-6	12G11	A	2-6	12G11	A	2-6	12G11	A	2-6	12G11	A	2-6
12DL8#	A	2-7	12EL6#	A	2-6	12G11	A	2-6	12G11	A	2-6	12G11	A	2-6	12G11	A	2-6
12DL8#	A	2-7	12EL6#	A	2-6	12G11	A	2-6	12G11	A	2-6	12G11	A	2-6	12G11	A	2-6
12DM4#	A	2-6	12EM5	A	2-6	12G11	A	2-6	12G11	A	2-6	12G11	A	2-6	12G11	A	2-6
12DM5	A	2-6	12EM6	A	2-6	12G11	A	2-6	12G11	A	2-6	12G11	A	2-6	12G11	A	2-6
12DM7	A	2-6	12EM6#	A	2-6	12G11	A	2-6	12G11	A	2-6	12G11	A	2-6	12G11	A	2-6
12DM7	A	2-6	12EN6	A	2-6	12G11	A	2-6	12G11	A	2-6	12G11	A	2-6	12G11	A	2-6
12DM7	A	2-6	12EQ7#	A	2-6	12G11	A	2-6	12G11	A	2-6	12G11	A	2-6	12G11	A	2-6
12DQ4#	A	2-6	12EQ7	A	2-6	12G11	A	2-6	12G11	A	2-6	12G11	A	2-6	12G11	A	2-6
12DQ6	A	2-4	12EZ6	A	2-6	12G11	A	2-6	12G11	A	2-6	12G11	A	2-6	12G11	A	2-6
12DQ7	A	2-8	12F5	A	2-6	12G11	A	2-6	12G11	A	2-6	12G11	A	2-6	12G11	A	2-6
12DS7	A	2-7	12F8	A	2-6	12G11	A	2-6	12G11	A	2-6	12G11	A	2-6	12G11	A	2-6
12DS7#	A	2-7	12F8#	A	2-6	12G11	A	2-6	12G11	A	2-6	12G11	A	2-6	12G11	A	2-6
12DS7#	A	2-7	12F8#	A	2-6	12G11	A	2-6	12G11	A	2-6	12G11	A	2-6	12G11	A	2-6
12DT5	A	2-1	12FA6	A	2-6	12G11	A	2-6	12G11	A	2-6	12G11	A	2-6	12G11	A	2-6
12DT6	A	2-6	12FK6	A	2-6	12G11	A	2-6	12G11	A	2-6	12G11	A	2-6	12G11	A	2-6
12DT7	A	2-6	12FK6#	A	2-6	12G11	A	2-6	12G11	A	2-6	12G11	A	2-6	12G11	A	2-6
12DT7	A	2-6	12FK6#	A	2-6	12G11	A	2-6	12G11	A	2-6	12G11	A	2-6	12G11	A	2-6
12DT8	A	2-6	12FM6	A	2-6	12G11	A	2-6	12G11	A	2-6	12G11	A	2-6	12G11	A	2-6
12DT8	A	2-6	12FM6#	A	2-6	12G11	A	2-6	12G11	A	2-6	12G11	A	2-6	12G11	A	2-6
12DU7	A	2-3	12FM6	A	2-6	12G11	A	2-6	12G11	A	2-6	12G11	A	2-6	12G11	A	2-6
12DU7#	A	2-3	12FM6#	A	2-6	12G11	A	2-6	12G11	A	2-6	12G11	A	2-6	12G11	A	2-6
12DU7#	A	2-3	12FM6#	A	2-6	12G11	A	2-6	12G11	A	2-6	12G11	A	2-6	12G11	A	2-6
12DU7#	A	2-3	12FQ7	A	2-6	12G11	A	2-6	12G11	A	2-6	12G11	A	2-6	12G11	A	2-6
12DV7	B	2-3	12FQ7	A	2-6	12G11	A	2-6	12G11	A	2-6	12G11	A	2-6	12G11	A	2-6

TUBE TYPE	Sht Test	1	2	3	4	Skt	Sht Test	TUBE TYPE	1	2	3	4	Skt	Sht Test	TUBE TYPE	1	2	3	4	Skt	Sht Test
12SY7	2-4	A	6	F	5	D	2-4	14YL1	A	8	F	11	I	2-10	14Y7	A	3	G	2	A	2-1
12T10	2-6	A	2	F	3	I	2-6	14LL1	A	6	F	5	I	2-1	15A6	A	3	F	2	A	2-1
12T10	2-10	A	9	F	8	I	2-10	14BL1	A	4	F	3	I	2-3	15A8	A	1	F	3	A	2-5
12U7		B	3	F	2	A		14BQ1	A	6	F	5	I	2-9	15AF11	A	7	F	3	I	2-10
12V6	2-4	B	8	F	7	A	2-4	14BR1	A	11	F	10	I		15AF11	A	5	F	6	I	
12W6	2-4	A	8	F	5	D	2-4	14BR1	A	5	F	8	I		15AF11	A	9	F	11	I	
12X4#		A	7	F	5	D		14BR1	A	7	F	10	I		15BD11	A	7	F	3	I	
12X4#		A	7	F	1	L		14C5	A	4	F	2	I	2-3	15BD11	A	5	F	6	I	
13CM5		A	7	F	6	L		14C7	A	7	F	6	H	2-3	15ED11	A	5	F	11	I	
13CW4	2-4	A	8	F	5	D	2-4	14DA7	B	9	F	3	A	2-3	15CW4	A	9	F	2	A	
13CW9		A	8	F	4	J		14DA7	B	8	F	7	A		15CW5	A	3	F	2	A	
13D1		A	6	F	2	A		14E6	A	7	F	3	H	2-5	15DQ8	A	3	F	1	A	
13D1		A	3	G	4	E		14E6#	C	7	F	3	H		15DQ8	A	7	F	8	A	
13D2		A	3	E	1	E		14E6#	C	7	F	5	H		15EA7	A	7	F	1	E	
13D2		A	6	E	4	E		14E7	C	7	F	6	H		15EA7	A	6	F	4	E	
13D3		A	8	F	7	A		14E7#	C	7	F	6	H		15EW6	A	2	F	1	L	
13D3		A	3	F	7	A		14E7#	C	7	F	3	H	2-6	15EW7	A	8	F	7	A	
13DE7		A	9	F	2	A		14F7	C	7	F	4	H		15EW7	A	2	F	9	A	
13DE7		A	8	F	7	A		14F7	A	2	F	4	H		15FM7	A	7	F	8	I	
13DR7		A	9	F	7	A		14G6	A	3	F	5	H		15FM7	A	9	F	10	I	
13DR7		A	8	F	2	A		14G6#	A	3	F	2	A		15FO7	A	1	F	2	A	
13EM7		A	3	F	7	A		14G6#	A	3	F	8	A		15FY7	A	7	F	3	I	
13EM7		A	6	F	1	E		14G6#	A	3	F	6	A		15FY7	A	9	F	10	I	
13EM7		A	9	F	4	E		14GT8	B	7	F	6	A		15HA6	A	1	F	10	I	
13FD7		A	6	F	2	A		14GT8#	A	1	F	6	A	2-6	15HB6	A	1	F	2	A	
13FD7		A	8	F	7	A		14GT8#	A	3	F	6	A	2-6	15HG8	A	1	F	2	A	
13FM7		A	7	F	7	A		14GW8	A	2	F	1	A		15HG8	A	3	F	6	A	
13FM7		A	9	F	10	I		14GW8	A	7	F	8	A	2-3	15KY8	A	1	F	2	A	
13FR7		A	9	F	2	A		14H7	A	7	F	6	H	2-3	15KY8	A	1	F	3	I	
13FR7		A	8	F	7	A		14J7	A	7	F	6	H		15LE8	A	3	F	2	K	
13FR7	2-6	A	3	F	2	O	2-6	14J7	A	7	F	6	H	2-5	16A5	A	8	F	9	A	
13GB5		A	3	F	2	K		14K7	A	2	F	4	H		16A8	A	3	F	2	A	
13GF7		A	1	F	9	K		14K7#	C	7	F	5	H		16A8	A	8	F	1	A	
13GF7		A	3	F	9	K		14K7#	C	7	F	6	H		16A8	A	2	F	3	A	
13J10		A	3	F	11	I		14K7#	C	7	F	6	H		16AQ3#	A	11	F	3	A	
13J10	2-2	C(S)	8	F	6	I	2-2	14N7	A	2	F	4	H		16AQ3#	A	2	F	9	A	
13V10		A	2	F	3	I		14N7	A	7	F	5	H		16GK6	A	8	F	2	A	
13V10	2-6	A	9	F	8	I	2-6	14N7	A	7	F	6	H	2-3	16GK6	A	8	F	1	A	
13V10	2-10	A	3	F	11	I	2-10	14Q7	A	7	F	6	H	2-3	16GK8	A	2	F	3	A	
13Z10		A	3	F	11	I		14R7	A	7	F	6	H	2-5	16GK8	A	4	F	5	I	
13Z10		C(S)	8	F	6	I		14R7#	C	7	F	3	H		16GY5	A	4	F	5	I	
14A4		A	7	F	6	H		14R7#	C	7	F	4	H		16KA6	A	10	F	5	I	
14A5	2-3	A	7	F	6	H	2-3	14S7	A	7	F	4	H		16Y9	A	2	F	1	C	
14A7	2-3	A	7	F	6	H	2-3	14S7	A	7	F	4	H	2-5	16Y9	A	4	F	1	C	
14AF7		A	2	F	6	H		14W7	A	7	F	6	H	2-3	17AB10	A	3	F	8	C	
14AF7		A	7	F	4	H		14X7	A	4	F	6	H		17AB10	C(S)	8	F	11	I	
14B6		A	7	F	3	H		14X7#	A	4	F	6	H	2-3	17AB10	C(S)	8	F	6	I	
14B6#		C	7	F	5	H		14X7#	C	4	F	5	H		17AU5	A	3	F	1	D	
14B6#		C	7	F	6	H		14Y4#	A	7	F	6	H		17AV5	A	3	F	1	D	
14E8	2-3	A	7	F	4	H	2-3	14Y4#	A	7	F	3	H		17AX3#	A	7	F	4	I	
14FF11	2-6	A	2	F	3	I	2-6	14Y4#	A	7	F	6	H		17AX4#	A	3	F	5	E	
14BF11	2-10	A	9	F	8	I	2-10	14Y7	A	3	F	9	A		17AY3#	A	9	F	7	K	

TUBE TYPE	1	2	3	4	Skt	Sht Test	TUBE TYPE	1	2	3	4	Skt	Sht Test
17JM6	A	2	F	5	I	2-3	19EA8	A	7	G	2	A	2-3
17JN6	A	2	F	11	I	2-8	19EZ8	A	1	G	2	A	2-3
17JS6	A	2	F	5	I	2-3	19EZ8	A	7	G	12	A	2-3
17JT6	A	3	F	2	K	2-7	19EZ8	A	9	G	12	A	2-7
17JZ8	A	9	F	7	I	2-8	19FL8	A	3	G	2	A	2-1
17JZ8	A	11	F	10	I	2-8	19FL8#	A	3	G	7	A	2-1
17KV6	A	3	F	2	K	2-1	19FL8#	A	3	G	8	A	2-8
17L6	A	8	F	5	D	2-4	19GK6	A	1	G	2	A	2-8
17LD8	A	3	F	2	A	2-7	19GQ7#	A	1	G	2	A	2-8
17LD8	A	1	F	2	L	2-6	19GQ7#	A	7	G	6	A	2-6
17R5	A	1	F	5	D	2-4	19HR6	A	7	G	1	L	2-6
17W6	A	8	F	5	D	2-2	19HS6	A	7	G	1	L	2-6
17X10	A	3	F	11	I	2-7	19HV8	A	3	G	1	A	2-7
17X10	B(S)	8	F	6	I	2-8	19HV8	A	8	G	9	A	2-7
17Z3#	A	11	F	9	A	2-8	19J6	A	7	G	5	L	2-7
18A5	A	3	G	1	D	2-8	19J6	A	7	G	6	L	2-8
18DZ8	A	2	G	1	A	2-7	19JC6	A	1	G	2	A	2-8
18FW6	A	7	G	1	L	2-6	19JN8	A	3	G	1	A	2-6
18FX6	A	2	G	1	L	2-6	19JN8	A	8	G	9	A	2-6
18FY6	A	2	G	1	L	2-6	19KF6	A	3	G	1	O	2-6
18FY6#	C	2	G	5	L	2-6	19KG8	A	8	G	2	A	2-7
18FY6#	C	2	G	6	L	2-6	19KG8	A	3	G	2	A	2-2
18GB5	A	3	G	2	O	2-6	19Q9	A	10	G	1	A	2-2
18GD6	A	7	G	1	L	2-6	19Q9	A	7	G	8	A	2-2
18GE6	A	2	G	1	L	2-6	19SU#	A	3	G	9	A	2-2
18GE6#	C	2	G	5	L	2-6	19T8	A	7	G	8	A	2-2
18GE6#	C	2	G	6	L	2-6	19T8#	A	7	G	8	A	2-2
18GV8	A	3	G	2	A	2-6	19T8#	A	7	G	6	A	2-6
18HB8	A	2	G	1	A	2-6	19U3#	A	3	G	2	A	2-6
18HB8	A	8	G	9	A	2-6	19V8	A	3	G	6	A	2-6
19AJ8	A	3	G	9	A	2-1	19V8#	A	3	G	2	A	2-1
19AJ8	A	3	G	2	A	2-6	19V8#	A	3	G	2	A	2-6
19AQ5	A	2	G	1	L	2-6	19V8#	A	3	G	9	A	2-6
19AU4#	A	3	G	5	E	2-8	19W3#	A	8	G	7	A	2-8
19BD#	A	3	G	9	A	2-8	19W3#	A	3	G	9	A	2-8
19BG6	A	3	G	5	D	2-8	19X3#	A	3	G	9	A	2-8
19BR5	A	2	G	1	A	2-8	19X8	A	6	G	2	A	2-8
19C8	A	7	G	8	A	2-8	19X8	A	6	G	7	A	2-8
19C8#	A	7	G	1	A	2-8	19Y3#	A	3	G	9	A	2-8
19C8#	A	7	G	6	A	2-8	20AQ3#	A	11	G	9	A	2-8
19C8#	A	3	G	2	A	2-8	20D4	A	3	E	9	A	2-8
19CC3#	A	7	G	4	I	2-8	20D4	A	3	E	9	A	2-8
19CL8	A	3	G	1	A	2-8	20EG7	A	3	E	2	A	2-1
19CL8	A	8	G	9	A	2-8	20EG7	A	6	G	1	E	2-1
19D8	A	3	G	9	A	2-7	20EQ7	A	3	G	4	E	2-7
19D8	A	3	G	2	A	2-1	20EQ7#	B	3	G	2	A	2-6
19DE7	A	9	G	2	A	2-1	20EW7	A	8	G	7	A	2-1
19DE7	A	8	G	7	A	2-1	20EW7	A	8	G	7	A	2-1
19EA8	A	8	G	9	A	2-1	20EW7	A	2	G	9	A	2-1

TUBE TYPE	Sht Test	Skt	1	2	3	4	TUBE TYPE	Sht Test	Skt	1	2	3	4	TUBE TYPE	Sht Test	Skt	1	2	3	4	TUBE TYPE	Sht Test	Skt
30A5	2-6	12	A	1	G	2	35Z5#		5	A	8	G	5	52KU#		12	A	4	D	12	52KU#		12
30AE3#		A	11	G	9	A	35Z6#		3	A	4	G	3	52KU#		12	A	6	D	12	53KU#		12
30AG11		A	2	G	3	I	35Z6#		5	A	8	G	5	53KU#		12	A	6	D	12	54KU#		12
30AG11		A	11	G	10	I	36AM3#		5	A	7	G	5	54KU#		12	A	4	D	12	54KU#		12
30AG11		A	4	G	10	I	38A3#		9	A	3	H	9	54KU#		12	A	6	D	12	55N3#		12
30AG11		A	9	G	8	I	38HE7#		2	A	4	G	2	55N3#		9	A	3	H	9	56R9		9
30C1		A	8	E	1	A	38HE7	2-11	9	A	8	G	9	56R9		3	I	10	H	9	58R9		3
30C1		A	3	A	3	A	38HK7#		2	A	4	G	2	58R9		9	I	10	H	9	58HE7#		9
30CW5	2-7	A	2	E	3	A	38HK7	2-11	9	A	8	G	9	58HE7#		2	I	10	H	9	58HE7#		2
30F5	2-9	A	3	G	2	A	40FR5		9	A	8	H	9	58HE7#		2	I	10	H	9	60FX5		2
30HD5	2-8	A	3	E	2	A	40KD6	2-6	9	A	1	H	5	60FX5		2	L	11	E	6	60HL5		2
30HJ5	2-5	A	4	G	3	I	40Z5	2-3	5	A	2	H	5	60HL5		2	L	11	E	6	63T1		2
30KJ5	2-5	A	2	G	3	I	42KN6	2-6	2	A	1	H	2	63T1		1	A	6	G	7	63T1		1
30KD6	2-3	A	2	G	5	I	45B5	2-3	5	A	2	H	5	63T1		2	A	6	G	7	63TP		2
30LJ		A	2	A	2	A	45Z3#		2	A	3	H	2	63TP		9	A	3	E	9	64ME		9
30L1		A	7	E	6	A	45Z5#		2	A	4	H	2	63TP		9	A	3	E	9	64SPT		9
30P4		A	8	G	5	D	50A5	2-4	5	A	8	H	5	64SPT		4	D	8	E	4	85ME		4
30P16	2-4	A	2	A	2	A	50AX6#	2-9	6	A	4	H	6	85ME		5	D	8	E	5	70A7		5
30P18	2-9	A	3	F	2	A	50AX6#	2-3	6	A	4	H	6	70A7		5	D	8	E	5	70L6		5
30PL1	2-9	A	8	F	1	A	50B5		5	A	8	H	5	70L6		5	D	8	E	5	70L7		5
30PL1		A	2	F	3	A	50BK5	2-7	5	A	2	H	1	70L7		5	D	8	E	5	70L7#		5
30PL13		A	8	F	1	A	50BM8	2-6	7	A	6	H	7	70L7#		5	D	8	E	5	117L7		5
30PL13		A	2	F	3	A	50BM8	2-8	9	A	8	H	9	117L7		5	D	8	E	5	117M7		5
31JS6		A	2	G	5	I	50C5	2-7	3	A	1	H	3	117M7		5	D	8	E	5	117M7#		5
32ET5	2-6	A	1	G	2	L	50CA5	2-6	5	A	8	H	5	117M7#		5	D	8	E	5	117N7		5
32L7	2-4	A	8	G	5	D	50CD6	2-4	5	A	1	H	5	117N7		5	D	8	E	5	117P7		5
33GT7	2-10	A	1	G	6	D	50DC4#	2-6	2	A	1	H	2	117P7		4	D	8	E	5	117P7#		4
33GT7#		A	8	G	9	I	50EH5	2-8	5	A	3	H	5	117P7#		4	D	8	E	5	117Z3#		4
33GY7	2-11	A	4	G	2	I	50FE5	2-6	5	A	7	H	5	117Z3#		4	D	8	E	5	117Z6#		4
33GY7#		A	8	G	9	I	50FE5	2-6	5	A	1	H	2	117Z6#		4	D	8	E	5	141TH#		4
33JY6	2-3	A	4	G	2	I	50FK5	2-4	5	A	8	H	5	141TH#		4	D	8	E	5	141TH#		4
34CD3#		A	7	G	4	I	50FY8	2-6	2	A	6	H	2	163		12	D	8	E	5	1632		12
34CE3		A	7	G	4	I	50FY8	2-6	1	A	8	H	1	1632		5	D	8	E	5	1633		5
34GD5		A	1	G	2	L	50FY8	2-7	1	A	8	H	1	1633		5	D	8	E	5	1633		5
35A5	2-6	A	7	G	6	H	50HC6	2-5	3	A	2	H	3	1633		5	D	8	E	5	1634		5
35B5	2-3	A	2	G	1	L	50HK6	2-5	2	A	1	H	2	1634		3	D	8	E	5	1634		3
35C5	2-6	A	1	G	1	L	50HN5	2-5	2	A	3	H	1	1634		3	D	8	E	5	1635		3
35CD6	2-6	A	3	G	2	L	50JY6	2-4	5	A	8	H	5	1635		3	D	8	E	5	1635		3
35DZ8	2-8	A	8	G	1	A	50L6	2-4	5	A	8	H	5	1635		3	D	8	E	5	1639#		3
35DZ8		A	2	G	3	A	50X6#	2-7	3	A	3	F	2	1639#		7	A	3	F	2	1639#		7
35EH5	2-6	A	1	G	2	L	50X6#	2-4	6	A	7	H	6	1639#		7	A	3	F	2	1639#		7
35GL6	2-5	A	1	G	2	L	50Y6#	2-4	6	A	4	H	3	1639#		7	A	3	F	2	1639#		7
35HB8	2-7	A	8	G	1	A	50Y7#	2-6	3	A	2	H	3	1639#		7	A	3	F	2	1639#		7
35HB8	2-6	A	8	G	1	A	50Y7#	2-6	6	A	7	H	6	1639#		7	A	3	F	2	1639#		7
35L6	2-4	A	2	G	2	L	50Y7#	2-4	3	A	4	H	3	1639#		7	A	3	F	2	1639#		7
35W4#	2-6	A	8	G	9	A	50Z6#	2-6	5	A	8	H	5	1639#		7	A	3	F	2	1639#		7
35Y4#	2-4	A	8	G	5	D	50Z6#	2-4	5	A	4	H	5	1639#		7	A	3	F	2	1639#		7
35Z3#		A	7	G	5	L	50Z7#		5	A	4	H	5	1639#		7	A	3	F	2	1639#		7
35Z4#		A	7	G	5	L	50Z7#		5	A	4	H	5	1639#		7	A	3	F	2	1639#		7
35Z4#		A	8	G	5	D	50Z7#		5	A	4	H	5	1639#		7	A	3	F	2	1639#		7

TUBE TYPE	Sht Test	Skt	1	2	3	4	TUBE TYPE	Sht Test	Skt	1	2	3	4	TUBE TYPE	Sht Test	Skt	1	2	3	4	
5590		L	A	2	E	1	5920		L	A	7	E	5	6080		E	A	6	6	E	A
5591		L	A	2	E	1	5920		L	A	7	E	6	6082		E	A	3	3	E	A
5595		L	A	2	E	1	5929		L	A	7	E	5	6082		E	A	6	6	E	A
5610		L	A	7	E	6	5931#		L	A	4	D	12	6082		E	A	3	3	E	A
5618		L	A	6	E	12	5931#	4-3	M	B	4	D	12	6084	2-1	A	3	3	E	A	9
5626#		L	A	5	E	2	5932		L	A	8	E	5	6085		A	3	3	E	A	2
5626#		L	A	1	E	7	5961	2-4	L	A	6	E	5	6085		A	3	3	E	A	2
5654		L	A	2	E	1	5961	2-4	L	A	6	E	5	6085		A	3	3	E	A	2
5679#		H	A	2	E	3	5963		H	A	3	F	2	6087#		A	B	4	4	F	A
5679#		H	A	7	E	6	5963		H	A	8	F	7	6087#		A	B	4	4	F	A
5686		A	A	1	E	2	5964	2-6	A	A	7	E	5	6094		A	A	2	2	E	A
5687		A	A	6	E	7	5964		A	A	7	E	6	6094		A	A	2	2	E	A
5687		A	A	3	E	2	5965		A	A	3	F	2	6095	2-6	A	A	2	2	E	A
5691		E	A	6	E	4	5965		E	A	3	F	7	6095		A	A	2	2	E	A
5691		E	A	3	E	1	5993#		E	A	8	F	7	6096	2-6	A	A	3	3	E	A
5692		E	A	3	E	1	5993#		E	A	7	E	1	6097#		A	A	1	1	E	A
5692		E	A	3	E	1	5993#		E	A	7	E	6	6097#		A	A	1	1	E	A
5692		E	A	6	E	4	5998		E	A	7	E	6	6099		A	A	7	7	E	A
5698		E	A	5	E	4	5998	2-6	E	A	3	E	1	6100		A	A	7	7	E	A
5694		D	A	1	E	4	6000		D	A	3	G	1	6101		A	A	7	7	E	A
5694		D	A	8	E	4	6004#		D	A	4	D	12	6101		A	A	7	7	E	A
5696		D	A	5	E	5	6004#		D	A	4	D	12	6106#		A	A	4	4	D	A
5725		L	A	2	E	1	6004#	2-5	L	A	6	D	12	6106#		B	B	6	6	D	A
5725		L	A	2	E	1	6005	2-6	L	A	2	E	1	6106#		B	B	6	6	D	A
5726#		L	A	5	E	2	6006		L	A	3	E	1	6113		A	A	3	3	E	A
5726#		L	A	2	E	7	6006		L	A	3	E	4	6113		A	A	6	6	E	A
5727		L	A	1	E	7	6028		L	A	2	E	4	6113		A	A	6	6	E	A
5732		L	A	2	E	1	6042	2-5	L	A	3	E	1	6118		A	A	8	8	E	A
5749		D	A	8	E	11	6042	2-4	D	A	6	E	4	6118#		A	A	8	8	E	A
5750		L	A	7	E	1	6045	2-6	L	A	7	E	5	6118#		A	A	8	8	E	A
5751		L	A	2	E	1	6045	2-6	L	A	7	E	5	6118#		A	A	8	8	E	A
5751		L	A	3	F	2	6046		L	A	8	G	5	6132		A	A	5	5	E	A
5755		A	A	8	F	7	6046		A	A	8	G	5	6132		A	A	5	5	E	A
5755		E	A	3	F	7	6054	2-6	E	A	8	E	11	6135		A	A	8	8	E	A
5763		E	A	6	E	4	6057		E	A	8	F	7	6135		A	A	8	8	E	A
5814		E	A	7	E	8	6058#		E	A	5	E	2	6135		A	A	5	5	E	A
5814		E	A	3	F	2	6058#		E	A	1	E	7	6135		A	A	1	1	E	A
5824		A	A	8	F	7	6059	2-4	A	A	3	F	7	6136		A	A	3	3	F	A
5838#		D	A	8	G	5	6060		D	A	3	F	7	6136		A	A	3	3	F	A
5838#		D	A	8	G	5	6060		D	A	3	F	7	6137		A	A	3	3	F	A
5839#		D	A	8	E	5	6061		D	A	8	F	7	6137		A	A	8	8	F	A
5839#		D	A	8	E	3	6063#		D	A	7	E	7	6146		A	A	7	7	E	A
5844		D	A	8	E	5	6063#		D	A	7	E	7	6146		A	A	7	7	E	A
5844		L	A	7	E	5	6064		L	A	2	E	1	6180		A	A	2	2	E	A
5844		L	A	7	E	6	6064		L	A	2	E	1	6180		A	A	2	2	E	A
5845#		L	A	7	E	6	6065		L	A	8	F	7	6180		A	A	8	8	F	A
5845#		L	A	1	D	12	6065	2-7	L	A	2	E	1	6180		A	A	2	2	E	A
5845#		L	A	5	D	12	6066	2-6	L	A	2	E	1	6180		A	A	2	2	E	A
5852#		D	A	8	E	3	6066#		D	A	2	E	1	6186		A	A	2	2	E	A
5852#		D	A	8	E	3	6066#		D	A	2	E	1	6186		A	A	2	2	E	A
5871		D	A	8	E	5	6067		D	A	3	F	7	6187		A	A	3	3	F	A
5879		D	A	8	E	5	6067	2-4	D	A	8	F	7	6187		A	A	8	8	F	A
5881		A	A	3	E	1	6072	2-7	A	A	3	F	7	6187		A	A	3	3	F	A
5881		D	A	8	E	5	6072		D	A	3	F	7	6187		A	A	3	3	F	A
5910		M	B	6	E	12	6072	4-3	M	B	8	F	7	6188		A	A	8	8	F	A
5915		L	A	2	E	1	6080	2-6	L	A	3	F	7	6188		A	A	3	3	F	A

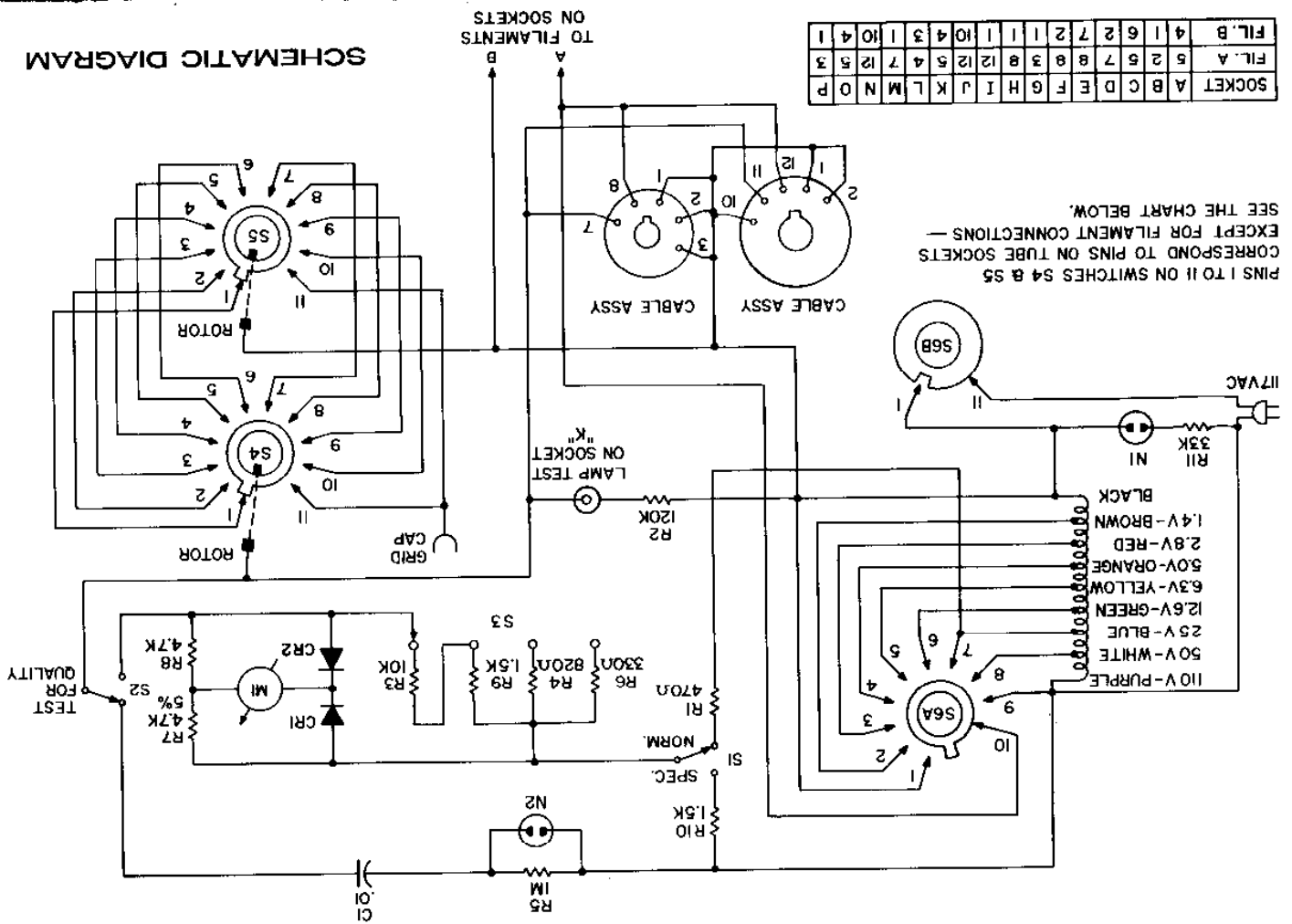
TUBE TYPE	1	2	3	4	Skt	Sht Test
7701	A	1	F	2	A	2-7
7716	A	1	F	2	A	
7716	A	6	F	7	A	2-8
7717	A	2	E	1	L	2-6
7719	A	3	F	2	A	
7721	A	1	E	2	A	2-9
7722	A	1	E	2	A	
7724	B	7	F	8	A	
7724#	A	1	F	6	A	
7724#	A	3	F	2	A	
7728	A	3	F	2	A	
7728	A	8	F	7	A	
7729	A	3	F	2	A	
7729	A	8	F	7	A	
7730	A	3	F	2	A	
7730	A	8	F	7	A	
7731	A	8	E	9	A	
7731	A	7	E	2	A	
7732	A	2	E	1	L	2-6
7733	A	1	F	2	A	2-8
7734	A	2	E	3	A	
7734	A	7	E	8	A	2-1
7738	A	5	E	6	L	
7754	A	7	E	6	A	2-1
7802	A	3	E	1	E	
7802	A	6	E	4	E	
7867	A	3	E	5	D	2-8
7868	A	3	E	2	K	2-1
7892	A	3	F	2	A	
7892	A	6	F	7	A	
7895	A	8	E	4	J	
7984	A	9	F	10	I	2-11
8016#	B(S)	11	B	12	D	
8056	A	4	E	8	J	
8106	A	6	F	7	A	2-8
8113	A	2	E	1	L	2-6
8156	A	2	F	10	I	2-11
8176#	A	11	F	9	A	
8233	A	7	E	8	O	2-2
8298	A	6	E	5	D	2-3
8417	A	8	E	5	D	
9001	A	2	E	1	L	2-6
9002	A	2	E	6	L	
9003	A	2	E	1	L	2-6
9006#	A	2	E	1	L	

TUBE TYPE	1	2	3	4	Skt	Sht Test
7167	A	2	E	1	L	2-6
7189	A	3	E	2	A	2-9
7189A	A	3	E	2	A	2-9
7193	A	8	E	5	D	
7199	A	6	E	7	A	2-3
7199	A	8	E	9	A	
7236	A	3	E	1	E	
7236	A	6	E	4	E	
7244	A	7	E	5	L	
7244	A	7	E	6	L	
7245	A	2	E	1	L	
7247	A	3	F	2	A	
7247	A	8	F	7	A	
7258	A	3	E	2	A	2-7
7258	A	9	E	8	A	
7308	A	3	F	2	A	
7318	A	3	F	2	A	
7318	A	8	F	7	A	
7320	A	3	E	2	A	2-9
7355	A	5	E	6	D	2-8
7360	A	1	E	3	A	2-2
7370	A	3	H	2	A	
7370	A	6	H	7	A	
7408	A	8	E	5	D	2-4
7494	A	3	F	2	A	
7494	A	8	F	7	A	
7495	A	7	E	8	A	
7500	A	3	E	6	A	2-6
7500#	A	3	E	2	A	
7500#	A	3	E	9	A	
7500#	A	8	E	7	A	
7502	A	2	E	1	L	2-6
7543	A	7	E	1	L	2-6
7548	A	1	E	2	A	2-7
7551	A	1	F	2	A	2-3
7558	A	1	E	2	A	2-3
7561	A	8	G	5	D	2-4
7581	A	8	E	5	D	2-4
7586	A	8	E	4	J	
7587	A	8	E	4	J	2-2
7591	A	5	E	6	D	2-4
7607	A	1	E	5	D	2-3
7630#	A	11	F	9	A	
7643	A	8	E	9	A	2-3
7643	A	7	E	2	A	
7687	A	8	E	9	A	
7687	A	7	E	2	A	2-3
7695	A	7	H	6	A	2-1
7699	A	2	E	3	A	2-7
7699	A	2	E	1	A	

PARTS LIST

PRICE EACH	SYM. #	STOCK #	DESCRIPTION	QTY.
RESISTORS				
(All values are in ohms and are 1/2W, 10% unless otherwise specified)				
.08	R3	10400	res., car., 10K, 1/2W, 10%	1
.08	R5	10407	" " " 1M, " "	1
.08	R11	10426	" " " 33K, " "	1
.08	R1	10429	" " " 470Ω, " "	1
.08	R8	10430	" " " 4.7K, " "	1
.11	R6	10438	" " " 330Ω, " "	1
.08	R9, R10	10442	" " " 1.5K, " "	2
.08	R2	10444	" " " 120K, " "	1
.11	R4	10456	" " " 820Ω, " "	1
.11	R7	11569	" " " 47K, " 5%	1
CAPACITORS				
.22	C1	20022	cap., mold., .01 mfd, 600V, 10%	1
TRANSFORMERS				
4.60	T1	30093	transformer, power	1
HARDWARE				
.01		40000	nut, hex, #6 - 32 x 1/4	2
.02		40001	" " " 3/8 - 32 x 1/2	3
.01		40005	" " " #10 - 24 x 3/8	2
.01		40007	" " " #4 - 40 x 1/4	39
.01		40023	Tinnerman Nut	2
.01		41000	screw, #6 - 32 x 1/4, B.H.	2
.02		41012	" #10 - 24 x 3/8, button head	2
.01		41035	" #6 - 1/4, P.K., B.H.	8
.01		41090	" #4 - 40 x 5/16, B.H.	39
.02		42000	washer, lock, 3/8	3
.01		42001	" flat, 3/8	3
.01		42002	" lock, #6	2
.01		42007	" lock, #4	39
.01		45000	standoff, #10 x 1/4	2
KNOBS & TERMINAL STRIPS				
.29		53006	knob, round, bar	3
.10		54085	terminal strip, 3 post, 2 right (CSA)	1
.12		54087	" " " 3 post, left (CSA)	1
.14		54088	" " " 4 post, 3 left (CSA)	1

SCHEMATIC DIAGRAM



PRICE EACH SYM. # STOCK # DESCRIPTION QTY.

SWITCHES

2.86	S4, S5	60205	switch, rotary, 1 pole, 12 pos'n.	2
3.36	S6A, B	60206	" " 2 pole, 10 pos'n.	1
.29	S1	62002	" slide, SPDT	1
.83	S3	62011	" " DP4T	1
1.50	S2	62032	" " SPDT, spring return	1

METER

9.66	M1	71019	meter, 1 MA, 3 1/2"	1
------	----	-------	---------------------	---

SHEET METAL

6.65		80222	panel front	1
.40		81994	bracket, panel support	1
2.25		87019	handle	1
7.50		88162	case, bottom	1
6.25		88163	case, top	1

DIODES

1.00	CR1, 2	95014	diode, germanium, 1N56	2
------	--------	-------	------------------------	---

TUBE SOCKETS & MISCELLANEOUS

1.09	H	97001	socket, loctal	1
.24	D, E, F, G	97003	" octal, saddle, molded	4
.17	E	97023	" 9 pin, min., bot. mt.	1
.15	L, M	97024	" 7 pin, min., bot. mt.	2
.45	I	97067	" 12 pin compactron, bot. mt.	1
.32	A	97068	" 10 pin (w/center contact)bot.mt	1
.30	J	97072	" 5 pin nuvistor	1
1.41	N	97073	" 7 pin nuvistor	1
.28	P, O	97092	" 9 pin novar, bot. mt.	2
.31	C	97096	" decal, bot. mt.	1
9.60		97098	" CRT adaptor, 90° & 110°	1
.30		97100	pin straightener block, 5 sockets, red	1
.36	K	97109	socket, 9 pin novar, bot. mt. with bulb tester	1
.61	N1, 2	97732	neon bulb ass'y. NE2E	2
.40		98501	grid cap, black, insulated	1
.77		57004	line cord	1
2.00		66208	manual, operating	1
2.00		66471	manual, assembly	1
.26		82107	strain relief	1

Prices and specifications subject to change without notice. To order replacement parts, remit with order; specify part numbers and descriptions. Add \$1.00 for mailing and handling; if a power transformer is included in the order, add instead \$1.50 for mailing and handling.

EICO MODEL 635 TUBE TESTER MANUAL

The accompanying GIF files represent the entire operating manual and tube listings for EICO Model #635 tube tester. Manufactured by the EICO Electronic Instrument Company.

The manual is dated 1968.

This tester was purchased as a kit Feb. 22, 1972 and to-date has never required any repairs. While possibly not the most accurate of tube testers it is certainly one of the easiest and quickest to use. The 635 generally gives a good indication of tube "go no go" condition, however on occasion, I have had to turn to my Heathkit IT-21 to find internal leakage and shorts that did not show up on the Eico 635.

In the past 30 plus years I've tested literally thousands of tubes with it.

Gord